

Cabling Specifications

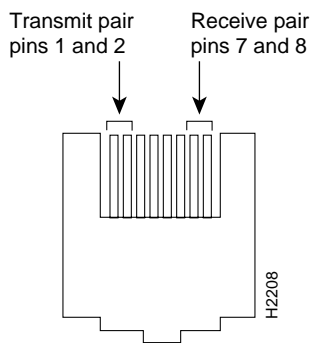
This appendix contains pinout information for WS-C1400 Concentrator and adapter ports, the admin. interface port, and the optical bypass switch connector.

CDDI Cabling

Following are the cable considerations for the CDDI ports.

Figure D-1 shows the pinout for the CDDI/MLT-3 concentrator and adapter ports for A, B, M, and S ports.

Figure D-1 CDDI Concentrator Port Pin Arrangement



Following are pinouts and cabling requirements for CDDI UTP wiring. Table D-1 lists the pinout used for the CDDI/MLT-3 transmit and receive pairs.

CDDI Cabling

Table D-1 CDDI/MLT-3 Pinout

Pin	Signal	Pin	Signal
1	TX+	5	-
2	TX-	6	-
3	-	7	RX+
4	-	8	RX-

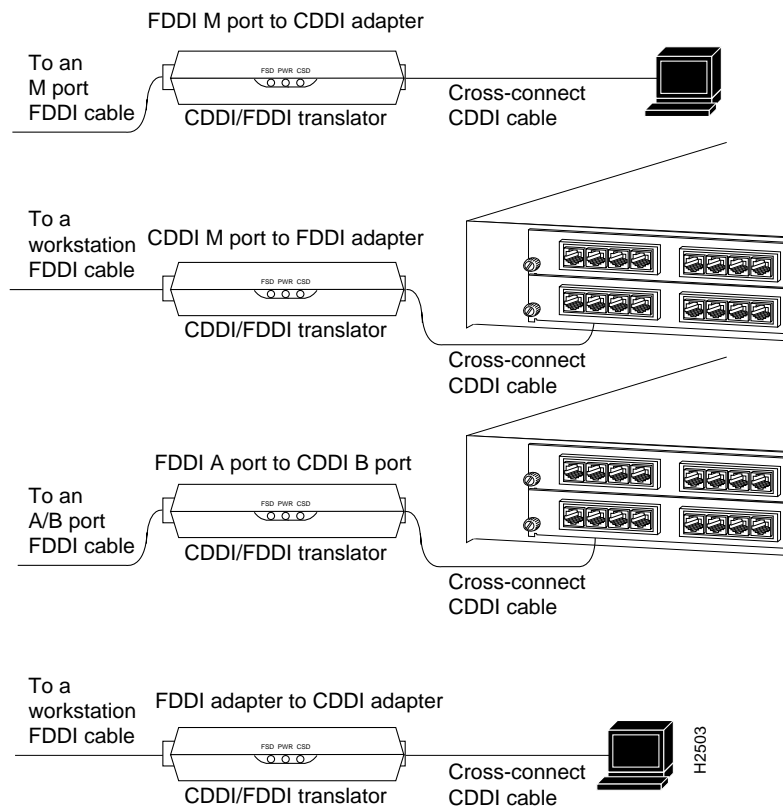
The EIA-568 wiring scheme is recommended. Table D-2 lists the EIA 568 RJ-45 wiring scheme.

Table D-2 EIA-568 RJ-45 Wiring Scheme

Pin	Pair	Color
1	2	White/orange
2	2	Orange
3	3	White/green
4	1	Blue
5	1	White/blue
6	3	Green
7	4	White/brown
8	4	Brown

Figure D-2 shows examples of modular cross-connect cables used for CDDI/MLT-3 connections between various devices using the CDDI-FDDI translator.

Figure D-2 CDDI/MLT-3 Connections Using Cross-Connect Cable



Admin. Port Cabling

The cabling for the concentrator admin. port must be straight-through, twisted-pair. Each of the four pairs of wires that make up the twisted-pair cable must be individually twisted.

Table D-3 and Table D-4 list the pinouts for the EIA/TIA-232 admin. port.

Table D-3 EIA/TIA-232 DTE Pinout

Switch			Terminal (DTE)	
Signal	RJ-45 Pin	Direction	DB-25 Pin	Signal
CTS	1	Output	4	RTS
DSR	2	Output	20	DTR
RXD	3	Output	2	TXD
GND	4	–	7	GND
GND	5	–	–	–
TXD	6	Input	3	RXD
DTR	7	Input	6	DSR
RTS	8	Input	5	CTS

Table D-4 lists the pinout for a null-modem cable used with the admin. port. Modems are considered to be data communication equipment (DCE).

Table D-4 EIA/TIA-232 DCE Pinout

Switch			Modem (DCE)	
Signal	RJ-45 Pin	Direction	DB-25 Pin	Signal
CTS	1	Output	5	CTS
DSR	2	Output	6	DCD
RXD	3	Output	3	RXD
GND	4	–	7	GND

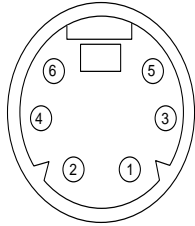
Switch			Modem (DCE)	
Signal	RJ-45 Pin	Direction	DB-25 Pin	Signal
GND	5	–	–	GND
TXD	6	Input	2	TXD
DTR	7	Input	20	DTR
RTS	8	Input	4	RTS

Optical Bypass Switch Pinout

Figure D-3 shows the pinout and connector for the optical bypass switch. The connector is a standard female DIN type.

Optical Bypass Switch Pinout

Figure D-3 **Optical Bypass Connector**



Pin	Function
1	V+
2	
3	Switch
4	
5	Ground
6	Bypass switch

H2082