

Chapter 1

Product Overview

This chapter provides an overview of the Copper Distributed Data Interface (CDDI) and Fiber Distributed Data Interface (FDDI) Extended Industry Standard Architecture (EISA) Hewlett-Packard (HP) adapters for HP Apollo 9000 Series 700 workstations. It contains information about the hardware and software required to run the EISA HP adapters, as well as important unpacking information.

High-performance workgroup EISA HP adapters connect workstations and servers to CDDI or FDDI networks. The adapters provide a single attachment or dual attachment connection that is fully compliant with Station Management (SMT) revision 6.2.

The EISA HP adapters ensure high performance by maximizing data throughput and minimizing network overhead on the host processor. You can download firmware for convenient upgrades and eliminate the need to swap programmable read-only memory (PROM) chips.

Feature Summary

The EISA HP adapters feature a highly integrated design. They contain several high-performance features to increase throughput and minimize overhead imposed on the host processor. To maximize throughput, the EISA HP adapters support 32-bit-wide EISA burst-data transfers. Bus mastering via two specially designed direct memory access (DMA) channels and an onboard SMT processor minimize host processor intervention.

The EISA HP adapters incorporate SMT revision 6.2 (the FDDI SMT specification). The adapter firmware can be downloaded to enable you to easily update SMT versions.

Hardware Overview

The CDDI and FDDI EISA HP adapters are available as either single attachment or dual attachment. The single attachment adapter consists of a single adapter board with a CDDI or FDDI port. The dual attachment adapter consists of a single adapter board with two CDDI or FDDI ports. See Figure 1-1.

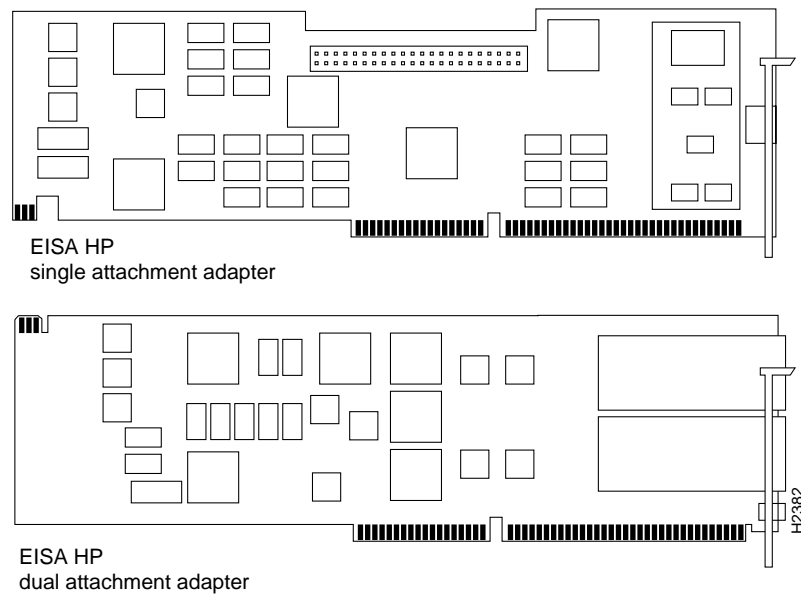


Figure 1-1 CDDI/FDDI EISA HP Adapters

Single attachment EISA HP adapters can connect to another station or to a concentrator, which in turn can connect to the dual ring of an FDDI network. A single attachment configuration consists of a single attachment adapter with a CDDI or FDDI port. The single attachment adapter is slave (S) port. The workstation FDDI interface has one physical medium dependent (PMD), one physical (PHY), one media access control (MAC), and one SMT controller.

Dual attachment EISA HP adapters include both A and B connectors. A workstation with the dual attachment configuration connects directly to the primary and secondary rings of an FDDI network. The workstation's FDDI interface has two PMDs, two PHYs, one MAC, and one SMT.

Figure 1-2 and Figure 1-3 show how single attachment stations and dual attachment stations are connected.

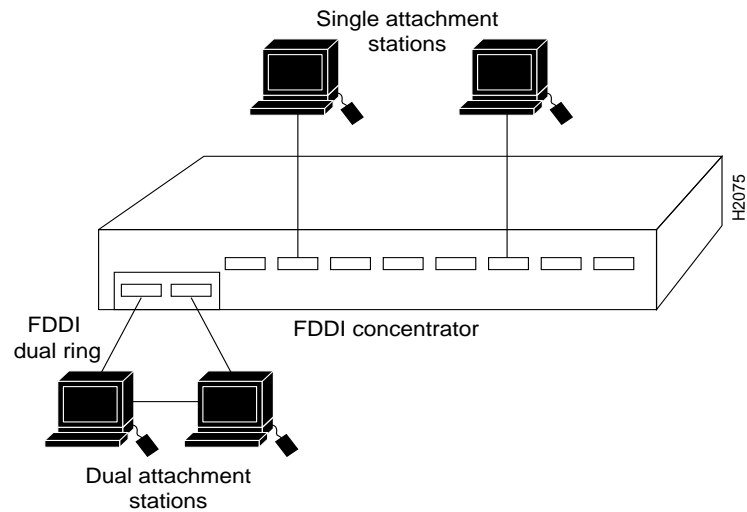


Figure 1-2 Single Attachment Station and Dual Attachment Station Connections

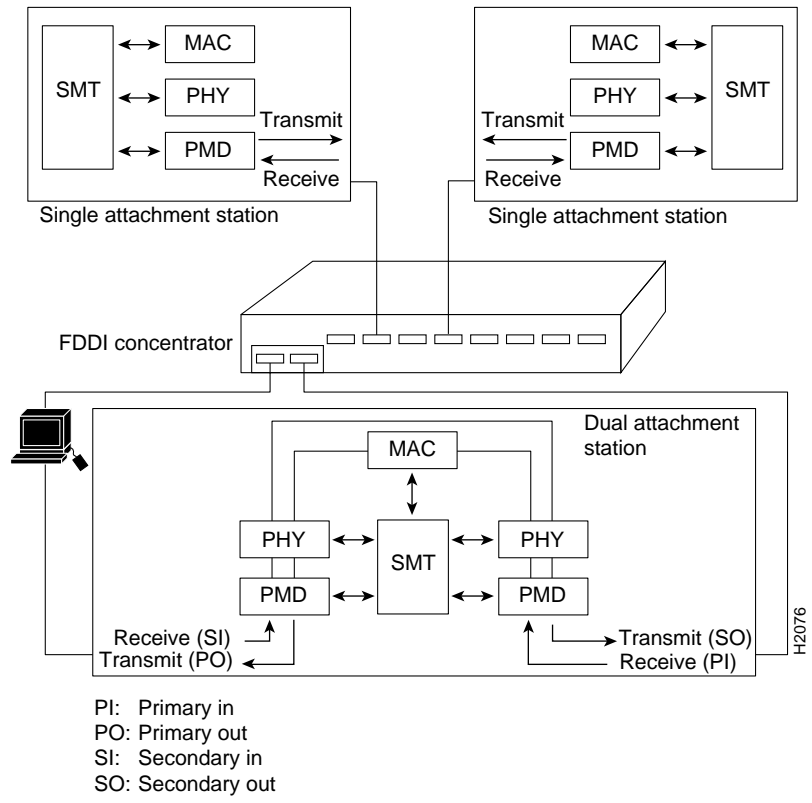


Figure 1-3 Single Attachment Stations and Dual Attachment Stations—A Schematic

You can also connect a dual attachment station in the redundant configuration called dual homing. In Figure 1-4, a dual attachment station is connected to two concentrators that are connected to the dual ring. Port A on the station is the backup connection and only becomes active if the primary connection (port B) fails.

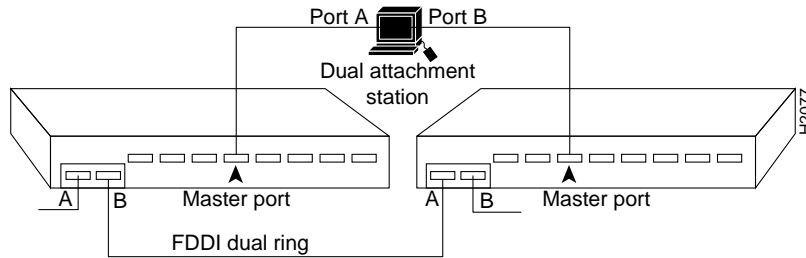


Figure 1-4 Dual Homing

Adapter LEDs

Each adapter has two LED indicators on the faceplate so that you can easily monitor the adapter's internal status and the FDDI link. Figure 1-5 shows single attachment and dual attachment FDDI EISA HP adapter faceplates, including the LEDs.

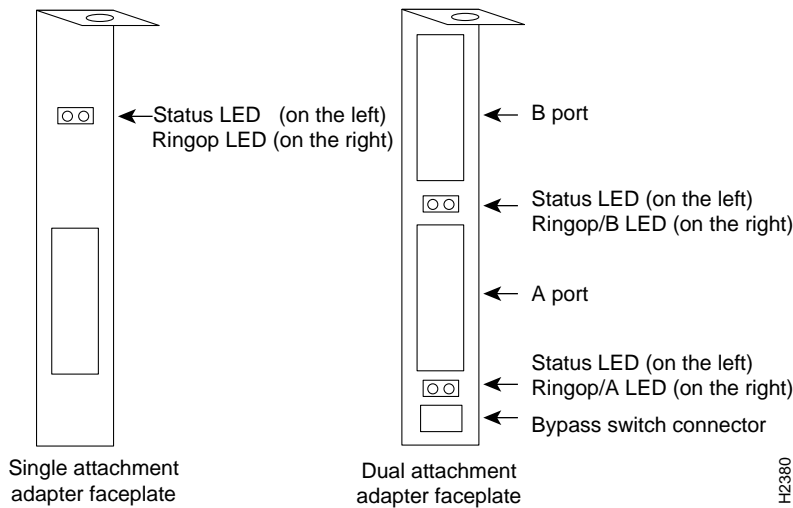


Figure 1-5 EISA HP Adapter Faceplates

Status LED

The status LED monitors the adapter's status. If this LED is on, the adapter has passed its internal diagnostics test.

Ringop LED

The ringop LED monitors ring operation. If this LED is on, the adapter is connected to the FDDI ring. See the section "Checking the Adapter LEDs" in Chapter 4 for a complete description of the ringop LED.

Bypass Connectors

The EISA HP dual attachment adapter has a connector for an optical bypass switch. The two-pin mini-DIN connector is compatible with most optical bypass switches. See Appendix F for bypass connector pinout information.

A bypass switch, when activated, removes a nonfunctioning dual attachment adapter from the ring.

System Requirements

This section describes the hardware and software requirements for installing the EISA HP adapter.

Hardware Requirements

The EISA HP single attachment adapter is designed to be installed in any available bus-mastering EISA slot in an HP Apollo 9000 Series 700 UNIX workstation.

Software Requirements

The HP workstation must have the following software installed:

- HP/UX 8.07, 9.01, 9.03 or 9.05
- LAN/9000 link fileset
- NLS Core fileset for nettl support

See the section “Requirements” in Chapter 3 for a list of recommended software packages.

Unpacking Information

Please check your EISA HP adapter and all contents carefully to make sure that no damage occurred during shipping.

Package Contents

The EISA HP adapter package contains the following items:

- Workgroup CDDI or FDDI EISA HP single attachment or dual attachment adapter
- CDDI/FDDI EISA HP adapter software digital data storage (DDS) tape
- *Workgroup CDDI/FDDI EISA HP Adapter User Guide*
- Warranty registration card

Unpacking Your EISA HP Adapter

Before you open the package, inspect it for damage that might have occurred during shipping. If you notice damage, please notify your carrier. Unpack your workgroup EISA HP adapter to ensure that it has arrived in good working order.

- Step 1** Open the package carefully. Keep the packing materials for reuse. You may need them to store, transport, or return the contents. *All materials returned under warranty must be packed in their original packing materials.*
- Step 2** Make sure that the EISA HP adapter package contains the items listed in “Package Contents.” If a part is missing, contact your customer service representative immediately.
- Step 3** Remove the adapter from the antistatic package and examine it for any visible damage other than that caused by shipping. If any damage is noted, report it to your customer service representative immediately.
- Step 4** Store the adapter in the antistatic bag until you are ready to install it in your workstation.
- Step 5** Always heed the handling and antistatic warning (see Chapter 2, “Preparing for Installation”) when removing the adapter from its antistatic protective package. *We recommend that you wear a grounding strap whenever you are handling the workgroup EISA HP adapter.*
- Step 6** Please fill out the warranty registration sheet and mail or fax it to Cisco Systems.