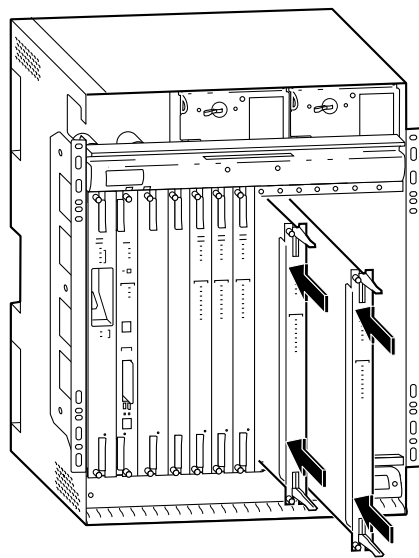


# Warning Statements for the SLC 8DMT on the Cisco 6200

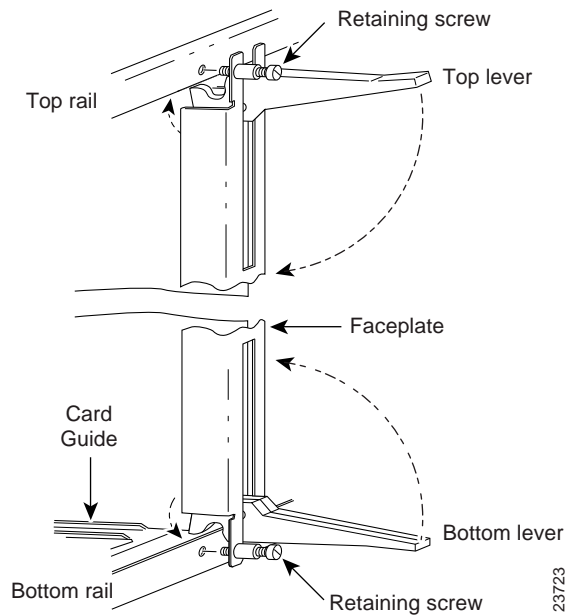


**Warning** Install 8DMT subscriber line cards (SLCs) in the chassis from left to right. This reduces the possibility of a component on one card damaging components on an adjoining card. As you insert the card, hold it perpendicular to the chassis and slide it carefully into the card guides (see Figure 1). Do not force the card if you feel any resistance. Forcing it could shear off a component or otherwise damage the card. For more information, refer to the section “Installing and Removing Cards” in the *Cisco 6200 FRU Installation and Replacement Guide*.

**Figure 1 Proper Installation of SLCs**



Front view of Cisco 6200 chassis  
 (install SLCs from left to right)

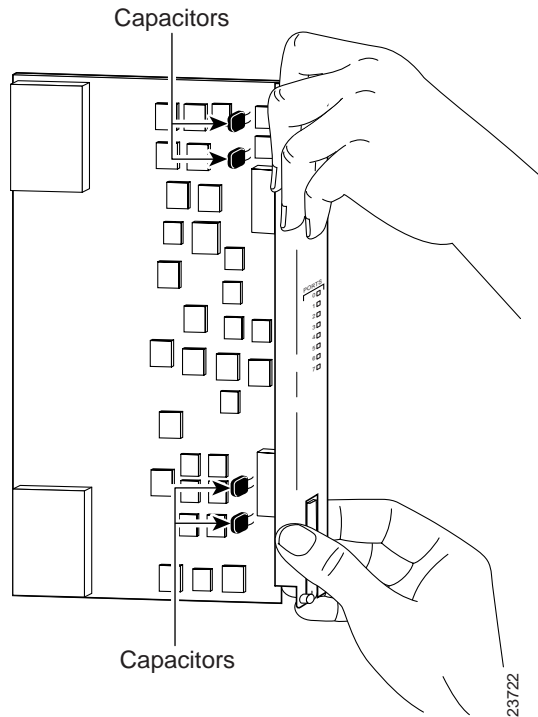


23723



**Warning** When you are handling the SLC 8DMT, be sure that you do not grip the card at any of the capacitors (for example, near locations T100, T300, T500, and T700) near the edges of each 8DMT daughter card (see Figure 2). The pins to the wire terminals are delicate and could be damaged by such handling.

**Figure 2** Proper Handling of SLC 8DMT



This document is to be used in conjunction with the *Cisco 6200 FRU Installation and Replacement* publication.

Access Registrar, AccessPath, Any to Any, AtmDirector, CCDA, CCDE, CCDP, CCIE, CCNA, CCNP, CCSI, CD-PAC, the Cisco logo, Cisco Certified Internetwork Expert logo, CiscoLink, the Cisco Management Connection logo, the Cisco NetWorks logo, the Cisco Powered Network logo, Cisco Systems Capital, the Cisco Systems Capital logo, Cisco Systems Networking Academy, the Cisco Technologies logo, ControlStream, Fast Step, FireRunner, GigaStack, IGX, JumpStart, Kernel Proxy, MGX, Natural Network Viewer, NetSonar, Network Registrar, Packet, PIX, Point and Click Internetworking, Policy Builder, Precept, RouteStream, Secure Script, ServiceWay, SlideCast, SMARTnet, StreamView, The Cell, TrafficDirector, TransPath, ViewRunner, VirtualStream, VisionWay, VlanDirector, Workgroup Director, and Workgroup Stack are trademarks; Changing the Way We Work, Live, Play, and Learn, Empowering the Internet Generation, The Internet Economy, and The New Internet Economy are service marks; and Asist, BPX, Catalyst, Cisco, Cisco IOS, the Cisco IOS logo, Cisco Systems, the Cisco Systems logo, the Cisco Systems Cisco Press logo, Enterprise/Solver, EtherChannel, EtherSwitch, FastHub, FastLink, FastPAD, FastSwitch, IOS, IP/TV, IPX, LightStream, LightSwitch, MICA, NetRanger, Registrar, StrataView Plus, Stratm, TeleRouter, and VCO are registered trademarks of Cisco Systems, Inc. in the U.S. and certain other countries. All other trademarks mentioned in this document are the property of their respective owners. (9904R).

Copyright © 1999, Cisco Systems, Inc.  
All rights reserved. Printed in USA.