



Cisco Voice CORBA Gateway Developer Reference Guide

Software Release 2.0
September 2003

Corporate Headquarters
Cisco Systems, Inc.
170 West Tasman Drive
San Jose, CA 95134-1706
USA
<http://www.cisco.com>
Tel: 408 526-4000
800 553-NETS (6387)
Fax: 408 526-4100

Text Part Number: OL-4276-01



THE SPECIFICATIONS AND INFORMATION REGARDING THE PRODUCTS IN THIS MANUAL ARE SUBJECT TO CHANGE WITHOUT NOTICE. ALL STATEMENTS, INFORMATION, AND RECOMMENDATIONS IN THIS MANUAL ARE BELIEVED TO BE ACCURATE BUT ARE PRESENTED WITHOUT WARRANTY OF ANY KIND, EXPRESS OR IMPLIED. USERS MUST TAKE FULL RESPONSIBILITY FOR THEIR APPLICATION OF ANY PRODUCTS.

THE SOFTWARE LICENSE AND LIMITED WARRANTY FOR THE ACCOMPANYING PRODUCT ARE SET FORTH IN THE INFORMATION PACKET THAT SHIPPED WITH THE PRODUCT AND ARE INCORPORATED HEREIN BY THIS REFERENCE. IF YOU ARE UNABLE TO LOCATE THE SOFTWARE LICENSE OR LIMITED WARRANTY, CONTACT YOUR CISCO REPRESENTATIVE FOR A COPY.

The Cisco implementation of TCP header compression is an adaptation of a program developed by the University of California, Berkeley (UCB) as part of UCB's public domain version of the UNIX operating system. All rights reserved. Copyright © 1981, Regents of the University of California.

NOTWITHSTANDING ANY OTHER WARRANTY HEREIN, ALL DOCUMENT FILES AND SOFTWARE OF THESE SUPPLIERS ARE PROVIDED "AS IS" WITH ALL FAULTS. CISCO AND THE ABOVE-NAMED SUPPLIERS DISCLAIM ALL WARRANTIES, EXPRESSED OR IMPLIED, INCLUDING, WITHOUT LIMITATION, THOSE OF MERCHANTABILITY, FITNESS FOR A PARTICULAR PURPOSE AND NONINFRINGEMENT OR ARISING FROM A COURSE OF DEALING, USAGE, OR TRADE PRACTICE.

IN NO EVENT SHALL CISCO OR ITS SUPPLIERS BE LIABLE FOR ANY INDIRECT, SPECIAL, CONSEQUENTIAL, OR INCIDENTAL DAMAGES, INCLUDING, WITHOUT LIMITATION, LOST PROFITS OR LOSS OR DAMAGE TO DATA ARISING OUT OF THE USE OR INABILITY TO USE THIS MANUAL, EVEN IF CISCO OR ITS SUPPLIERS HAVE BEEN ADVISED OF THE POSSIBILITY OF SUCH DAMAGES.

CCIP, CCSP, the Cisco Arrow logo, the Cisco *Powered* Network mark, Cisco Unity, Follow Me Browsing, FormShare, and StackWise are trademarks of Cisco Systems, Inc.; Changing the Way We Work, Live, Play, and Learn, and iQuick Study are service marks of Cisco Systems, Inc.; and Aironet, ASIST, BPX, Catalyst, CCDA, CCDP, CCIE, CCNA, CCNP, Cisco, the Cisco Certified Internetwork Expert logo, Cisco IOS, the Cisco IOS logo, Cisco Press, Cisco Systems, Cisco Systems Capital, the Cisco Systems logo, Empowering the Internet Generation, Enterprise/Solver, EtherChannel, EtherSwitch, Fast Step, GigaStack, Internet Quotient, IOS, IP/TV, iQ Expertise, the iQ logo, iQ Net Readiness Scorecard, LightStream, MGX, MICA, the Networkers logo, Networking Academy, Network Registrar, *Packet*, PIX, Post-Routing, Pre-Routing, RateMUX, Registrar, ScriptShare, SlideCast, SMARTnet, StrataView Plus, Stratm, SwitchProbe, TeleRouter, The Fastest Way to Increase Your Internet Quotient, TransPath, and VCO are registered trademarks of Cisco Systems, Inc. and/or its affiliates in the U.S. and certain other countries.

All other trademarks mentioned in this document or Web site are the property of their respective owners. The use of the word partner does not imply a partnership relationship between Cisco and any other company. (0304R)

Cisco Voice CORBA Gateway Developer Reference Guide
Copyright © 2003, Cisco Systems, Inc.
All rights reserved.



Preface	xxiii
Audience	xxiii
Organization	xxiv
Related Documentation	xxv
Conventions	xxvi
Obtaining Documentation	xxvii
Cisco.com	xxvii
Documentation CD-ROM	xxvii
Ordering Documentation	xxvii
Documentation Feedback	xxviii
Obtaining Technical Assistance	xxviii
Cisco TAC Website	xxviii
Opening a TAC Case	xxix
TAC Case Priority Definitions	xxix
Obtaining Additional Publications and Information	xxx

CHAPTER 1

Cisco Voice CORBA Gateway Orientation	1-1
Cisco Voice CORBA Gateway Features	1-2
About the Cisco Voice CORBA Gateway Architecture	1-3
Object Access Process	1-3
Notification Process	1-4
About the Cisco Voice CORBA Gateway Interface	1-5
Object Access Interface	1-5
Notification Interface	1-5

CHAPTER 2

Installing the Cisco Voice CORBA Gateway	2-1
Requirements	2-2
Platform Requirements	2-2
Software Requirements	2-2
Development Tools	2-2
Installation Tasks	2-3
Installing Prerequisite Software	2-3
Installing the Cisco Voice CORBA Gateway Server	2-3
Restarting the Servers	2-4

Removing the Cisco Voice CORBA Gateway Server 2-5
 Testing the Installation 2-5
 Using the Client Test Program 2-5
 Using the Consumer Test Program 2-6
 Setting Up Cisco Voice CORBA Gateway to Upload Using SFTP 2-8

CHAPTER 3

Managing the Cisco Voice CORBA Gateway Object Model 3-1

Accessing EM Objects 3-2
 ObjectAccess Interface Definition 3-2
 ObjectAccess invoke Method 3-2
 Syntax Description 3-3
 ObjectAccess getNext Method 3-5
 Syntax 3-5
 Syntax Description 3-5
 Usage Guidelines 3-5
 ObjectAccess Exceptions 3-5
 Example Program 3-6
 Working with XML Arguments 3-8
 Creating Input Arguments 3-8
 Specifying Attribute Names 3-9
 Interpreting Result Strings 3-10
 Working with Upload Strings 3-12

CHAPTER 4

Using Cisco Voice CORBA Gateway Operations 4-1

Cisco Voice CORBA Gateway GET and SET 4-2
 GET Operation 4-2
 SET Operation 4-3
 Cisco Voice CORBA Gateway Bulk Operations 4-5
 Bulk Action Operation 4-5
 BULKGET Request Operation 4-7
 BULKSET Request Operation 4-8
 Cisco Voice CORBA Gateway Query 4-10
 QUERY Operation 4-10
 Cisco Voice CORBA Gateway Upload 4-11
 UPLOAD Operation 4-11

CHAPTER 5

Subscribing for Cisco Voice CORBA Gateway Events 5-1

Object Events 5-2

Alarm Events	5-4
Writing an Event Consumer Application	5-6

CHAPTER 6

Cisco Media Gateway Manager 6-1

Object Model	6-2
Action Interface	6-6
Interface Design	6-7
Error handling and Rollback strategy	6-7
Result string	6-7
Actions	6-8
AddSessionSet	6-8
DeleteSessionSet	6-8
AddSessionGroup	6-9
DeleteSessionGroup	6-9
AddRUDPSession	6-10
ModifyRUDPSession	6-11
DeleteRUDPSession	6-12
AddDomainName	6-12
AddDomainNameIP	6-13
AddMGCPControlPath	6-14
ModifyMGCPControlPath	6-16
DeleteDomainName	6-17
DeleteDomainNameIP	6-18
DeleteMGCPControlPath	6-18
AddDChannel	6-19
ModifyDChannel	6-19
DeleteDChannel	6-20
AddVismTonePlan	6-20
DeleteVismTonePlan	6-21
AddCASVariant	6-22
ModifyCASVariant	6-22
DeleteCASVariant	6-23
AddDS1Line	6-23
ModifyDS1Line	6-25
DeleteDS1Line	6-27
AddEndPoints	6-28
ModifyEndPoints	6-30
DeleteEndPoints	6-32
VismInitialConfig	6-33

AddPVC 6-34
 Trap Handling 6-35
 Trap Mapping 6-35
 Clear Correlation Rules 6-36

APPENDIX A

**Cisco Media Gateway Manager 3.0/3.0.1
 Attribute Summary A-1**

CMGMVPopeyeChassis Class A-1
 CMGMVPop1Chassis Class A-1
 CMGMVPop2Chassis Class A-4
 CMGMVPop1Card Class A-4
 CMGMVSRM Class A-6
 CMGMVSRM-E Class A-7
 CMGMVMGX8830PXM1E Class A-9
 CMGMVLine Class A-10
 CMGMVDS1 Class A-11
 CMGMVMGX8830PXM1 Class A-11
 CMGMVDS1_VISM Class A-14
 CMGMVMGX8850PXM1E Class A-15
 CMGMVDS3 Class A-16
 CMGMVDS3_PXM1 Class A-16
 CMGMVVISM Class A-16
 CMGMVVISM-PR Class A-22
 CMGMVDS3_SRM Class A-28
 CMGMVSONET Class A-28
 CMGMVSONET_PXM1 Class A-29
 CMGMVFastEther Class A-29
 CMGMVSite Class A-30
 CMGMVMGX8250 Class A-30
 CMGMVSessionSet Class A-32
 CMGMVMGX8230 Class A-33
 CMGMVSessionGrp Class A-35
 CMGMVRudpSession Class A-35
 CMGMVServiceModule Class A-36
 CMGMVDummyChassis Class A-37
 CMGMVPXM1 Class A-37

CMGMVDS3_SRME Class	A-39
CMGMVMGX8850PXM1 Class	A-40
CMGMVRPM-PR Class	A-43
CMGMVMGX8850PXM45 Class	A-43
CMGMVPop1AtmInterface Class	A-44
CMGMVPop2Card Class	A-45
CMGMVPop2ServiceModule Class	A-46
CMGMVPop2SRM Class	A-48
CMGMVPop2SRM-E Class	A-49
CMGMVPXM1E Class	A-51
CMGMVPXM45 Class	A-53
CMGMVVXSM Class	A-54
CMGMVRPM-XF Class	A-56
CMGMVAXSM Class	A-58
CMGMVAXSM-E Class	A-59
CMGMVPop2Interface Class	A-61
CMGMVPop2DS1 Class	A-61
CMGMVDS1_VXSM Class	A-62
CMGMVPop2DS3 Class	A-63
CMGMVPop2SONET Class	A-63
CMGMVSONETPATH Class	A-65
CMGMVPop2Ethernet Class	A-66
CMGMVGigaEthernet Class	A-67
CMGMVFastEthernet Class	A-68
CMGMVPop2AtmInterface Class	A-69
CMGMVAtmInterface_VXSM Class	A-70
cmgmV Class	A-71
dummyChassisView Class	A-71
discoveryInitialAlarm Class	A-71
discoveryInitialAlarmClear Class	A-71
shelfConnectLost Class	A-71
shelfConnectNormal Class	A-71
coreCardSwitchTrap Class	A-72
shelRestartTrap Class	A-72
functionModuleRemovedTrap Class	A-73

functionModuleInsertedTrap Class	A-73
functionModuleSwitchoverTrap Class	A-74
functionModuleActiveTrap Class	A-74
functionModuleFailedTrap Class	A-75
functionModuleMismatchTrap Class	A-75
functionModuleSlefTestFailedTrap Class	A-76
functionModuleStandbyTrap Class	A-76
coreCardSwitchInProgress Class	A-77
coreCardSwitchBlocked Class	A-77
bnmTemperatureNormalTrap Class	A-78
bnmTemperatureAboveNormalTrap Class	A-78
bnmDclevelNormalTrap Class	A-79
bnmDclevelBelowNormalTrap Class	A-79
bnmPowersupplyNormalTrap Class	A-80
bnmPowersupplyFailedTrap Class	A-80
bnmFanrpmNormalTrap Class	A-81
bnmFanrpmBelowNormalTrap Class	A-81
shelfIntegratedAlarmTrap Class	A-82
userLoginTrap Class	A-82
userLogoutTrap Class	A-83
shelfLossLmiAlarmTrap Class	A-83
shelfLossLmiAlarmClearTrap Class	A-84
lineModuleRemovedTrap Class	A-84
lineModuleInsertedTrap Class	A-85
lineModuleMismatchTrap Class	A-85
dsx3LineNoAlarmTrap Class	A-86
dsx3LineInAlarmTrap Class	A-86
dsx3LineLpbkEnableTrap Class	A-87
dsx3LineLpbkDisableTrap Class	A-87
sonetLineInAlarmTrap Class	A-88
sonetLineNoAlarmTrap Class	A-88
sonetLineLpbkEnableTrapnum Class	A-89
sonetLineLpbkDisableTrapnum Class	A-89
dsx3StatLineAlarmTrap Class	A-90
bnmStatSonetSectionalmTrapnum Class	A-90

bnmStatSonetLinealmTrapnum Class	A-91
bnmStatSonetPathalmTrapnum Class	A-91
bnmPlcpAlmActiveTrap Class	A-92
bnmPlcpAlmFailedTrap Class	A-92
bnmPlcpStatalmTrap Class	A-93
bnmPlcpLpbkEnableTrap Class	A-93
bnmPlcpLpbkDisableTrap Class	A-94
dsx1LineNoAlarmTrap Class	A-94
dsx1LineInAlarmTrap Class	A-95
dsx1LineLpbkEnableTrap Class	A-95
dsx1LineLpbkDisableTrap Class	A-96
trapCardOvrSubscribed Class	A-96
trapLineEnabled Class	A-97
trapPortAdded Class	A-97
trapPortActive Class	A-98
trapPortFailed Class	A-98
trapPortDelete Class	A-99
trapPortLoopbackEnabled Class	A-99
trapPortLoopbackDisabled Class	A-100
trapPortOvrSubscribed Class	A-101
trapChanActive Class	A-101
trapChanFailed Class	A-102
trapChanDelete Class	A-102
trapConfigChange Class	A-103
egressDataBuffersOverflowTrap Class	A-103
egressDataBuffersNormalTrap Class	A-104
trapSMclearAllCfg Class	A-104
redActiveatedTrap Class	A-105
redRevertedTrap Class	A-105
redAddedTrap Class	A-106
redDeletedTrap Class	A-106
coreCardsConfigMismatchTrap Class	A-107
coreCardsPeerMismatchTrap Class	A-107
trapBERTStart Class	A-108
trapBERTEnd Class	A-108

trapBERTAbort Class	A-109
srm3t3Xmtclksource Class	A-110
srm3t3LineEnable Class	A-110
srm3t3LineDisable Class	A-111
srm3t3FELineLpbkEnable Class	A-111
srm3t3LineLpbkDisable Class	A-112
srm3t3AddLink Class	A-112
srm3t3DelLink Class	A-113
srm3t3DelSlotLink Class	A-113
srm3t3NELineLpbkEnable Class	A-114
srm3t3NELineLpbkDisable Class	A-114
srmLossOfClockTrap Class	A-115
coreCardsConfigClearTrap Class	A-115
cardResPartTypeChangeTrap Class	A-116
trapChanOamLpbkStatus Class	A-116
dsx1StatLineAlarmTrap Class	A-117
trapChanStatusSummary Class	A-117
trapVismIpAddressChanged Class	A-118
trapVismChanActive Class	A-118
trapVismChanDeleted Class	A-119
trapVismPortAdded Class	A-119
trapVismPortActive Class	A-120
trapVismPortFailed Class	A-120
trapProtectedChanActive Class	A-121
trapProtectedChanStandby Class	A-121
trapProtectedChanFailed Class	A-122
trapProtectedChanLocked Class	A-122
trapProtectedChanUnlocked Class	A-123
trapVismCasVariantAdded Class	A-123
trapVismCasVariantDeleted Class	A-124
trapVismCasVariantConfigured Class	A-124
trapVismCasVariantNotConfigured Class	A-124
trapVismScalarChange Class	A-125
trapVism Change Class	A-125
trapVismCodecTemplateChanged Class	A-126

trapVismModeChanged Class	A-126
trapVismAal2CidAdded Class	A-126
trapVismAal2CidDeleted Class	A-127
trapVismHdlcChanAdded Class	A-127
trapVismHdlcChanDeleted Class	A-128
trapVismPortDeleted Class	A-128
trapVismChanAdded Class	A-128
trapVismChanFailed Class	A-129
trapVismConDown Class	A-129
trapVismConUp Class	A-130
trapVismChanReroute Class	A-130
trapVismAal2Muxing Class	A-130
trapVismCidState Class	A-131
trapNetworkCacConfigState Class	A-131
trapVismFeatureChanged Class	A-132
shelfPowerOverLoadTrap Class	A-132
pxmCurClkSourceTrap Class	A-132
atmLineCellFormatTrap Class	A-133
secLineModuleRemovedTrap Class	A-133
secLineModuleInsertedTrap Class	A-134
secLineModuleMismatchTrap Class	A-134
pxmApsDeactivateTrap Class	A-134
pxmApsActivateTrap Class	A-135
pxmApsCardFailureTrap Class	A-135
pxmApsLineFailureTrap Class	A-136
pxmApsLineSwitchTrap Class	A-136
pxmApsLineSwitchFailureTrap Class	A-136
pxmApsStandbyLineFailureTrap Class	A-137
pxmApsCardClearTrap Class	A-137
pxmApsLineClearTrap Class	A-138
pxmApsStandbyLineClearTrap Class	A-138
pxmApsConfigChangeTrap Class	A-138
pxmApsModeMismatchTrap Class	A-139
pxmApsModeMismatchClearTrap Class	A-139
sonetXmtClkSrcChangeTrap Class	A-140

sonetXmtClkSrcLossTrap Class	A-140
srmeAddLink Class	A-140
srmeDelLink Class	A-141
srmeDelSlotLink Class	A-141
srmeCnfLink Class	A-142
functionModuleHoldTrap Class	A-142
trapBblfAdded Class	A-142
trapBblfActive Class	A-143
trapBblfDelete Class	A-143
trapBblfFailed Class	A-144
trapBblfCnfChange Class	A-144
trapBblfRscAlloc Class	A-144
trapBbChanAdded Class	A-145
trapBbChanActive Class	A-145
trapBbChanDelete Class	A-146
trapBbChanFailed Class	A-146
trapRpmPortAdd Class	A-146
trapRpmPortDelete Class	A-147
trapRpmPortModify Class	A-147
trapRpmPortActive Class	A-148
trapRpmChanAdd Class	A-148
trapRpmChanDelete Class	A-148
trapRpmChanModify Class	A-149
trapRpmChanActive Class	A-149
parNodeStatusChange Class	A-150
parNodeParmsChange Class	A-150
parTrunkAdd Class	A-150
parTrunkStatusChange Class	A-151
parTrunkDelete Class	A-151
parTrunkConfig Class	A-152
parUpConnStateChange Class	A-152
parDownConnStateChange Class	A-152
parConnAutoRemove Class	A-153
mgAdministrativeStateLocked Class	A-153
mgAdministrativeStateUnlocked Class	A-154

mgAdministrativeStateShuttingDown Class	A-154
mgcAssociated Class	A-155
mgcUnassociated Class	A-155
mgcAssociatedCommLoss Class	A-155
mgcCommStateActive Class	A-156
mgcCommStateInactive Class	A-156
mgEndpointCreated Class	A-157
mgEndpointDeleted Class	A-157
mgEndpointActive Class	A-158
mgEndpointFailed Class	A-158
mgcAdded Class	A-159
mgcDeleted Class	A-159
mgcProtocolAdded Class	A-160
mgcProtocolDeleted Class	A-160
mgcResolutionAdded Class	A-161
mgcResolutionDeleted Class	A-161
peerHeartbeatLost Class	A-162
peerHeartbeatDetected Class	A-162
trapLapdAdded Class	A-162
trapLapdDeleted Class	A-163
trapSessionSetAdded Class	A-163
trapSessionSetDeleted Class	A-164
trapSessionGrpAdded Class	A-165
trapSessionGrpDeleted Class	A-165
trapRudpSessionAdded Class	A-166
trapRudpSessionDeleted Class	A-167
trapRudpSessionOos Class	A-167
trapRudpSessionIs Class	A-168
trapRudpSessionPrimaryIs Class	A-169
trapRudpSessionActive Class	A-169
trapSessionGrpOos Class	A-170
trapSessionGrpls Class	A-171
trapSessionSetOos Class	A-171
trapSessionSetActivels Class	A-172
trapSessionSetStandbyIs Class	A-173

trapSessionSetFullIs Class	A-173
trapLapdDlcAdded Class	A-174
trapLapdDlcDeleted Class	A-174
trapLapdDlcUp Class	A-175
trapLapdDlcDown Class	A-176
persistentXgcpEventCreated Class	A-176
persistentXgcpEventDeleted Class	A-177
mgDomainNameAdded Class	A-177
mgDomainNameDeleted Class	A-178
vismTonePlanAdded Class	A-178
vismTonePlanDeleted Class	A-179
vismRtpConnAdded Class	A-179
vismRtpConnDeleted Class	A-180
vismRtpConnStateChg Class	A-180
vismLapdTrStatels Class	A-181
vismLapdTrStateOos Class	A-181
vismLapdTrunkAdded Class	A-182
vismLapdTrunkDeleted Class	A-182
mgcRedundancyGrpAdded Class	A-183
mgcRedundancyGrpDeleted Class	A-183
mgcRedundancyGrpCommOk Class	A-184
mgcRedundancyGrpCommLoss Class	A-184
mgcActiveInGrp Class	A-185
mgcInactiveInGrp Class	A-185
mgcRedundancyGrpProtocolAdded Class	A-186
mgcRedundancyGrpProtocolDeleted Class	A-186
mgcRedundancyGrpParamEntryAdded Class	A-187
mgcRedundancyGrpParamEntryDeleted Class	A-187
peerGrpHeartbeatLost Class	A-188
peerGrpHeartbeatDetected Class	A-188
srcpPeerGrpParamEntryAdded Class	A-189
srcpPeerGrpParamEntryDeleted Class	A-189
cwAnnFileAddStarted Class	A-190
cwAnnFileLoadComplete Class	A-190
cwAnnFileLoadFailed Class	A-191

cwAnnFileDeleted Class	A-191
newFlow Class	A-192
lostFlow Class	A-192
cwChassisIntegratedAlarm Class	A-192
cwUserLogin Class	A-193
cwUserLogout Class	A-193
cwShelfRestart Class	A-193
cwSwitchingIntegratedAlarm Class	A-193
cwNodeNameChange Class	A-194
cwIppAddressChange Class	A-194
cwNodeCommunityChange Class	A-194
cwTrapOfflineDiagFail Class	A-194
cwUserInvalidLogin Class	A-195
cwDiskDbIntegCheckDone Class	A-195
cwDiskDbIntegCheckFailed Class	A-196
cwChassisTemperatureNormal Class	A-196
cwChassisTemperatureAboveNormal Class	A-197
cwChassisDclevelNormal Class	A-198
cwChassisDclevelBelowNormal Class	A-198
cwChassisPowersupplyNormal Class	A-198
cwChassisPowersupplyFailed Class	A-199
cwChassisFanrpmNormal Class	A-200
cwChassisFanrpmBelowNormal Class	A-201
cwChassisDclevelAboveNormal Class	A-202
cwModuleInserted Class	A-202
cwModuleRemoved Class	A-203
cwModuleMismatch Class	A-204
cwModuleActive Class	A-205
cwModuleStandby Class	A-206
cwModuleFailed Class	A-207
cwLineModuleInserted Class	A-208
cwLineModuleRemoved Class	A-209
cwLineModuleMismatch Class	A-210
cwModuleSelfTestFail Class	A-211
cwLineModuleMismatchClear Class	A-212

cwModuleConfigCleared Class	A-213
cwCoreCardSwitch Class	A-214
cwRedundancyAdd Class	A-215
cwRedundancyDelete Class	A-216
cwRedundancyActivate Class	A-217
cwRedundancyRevert Class	A-218
cwaChanAdd Class	A-219
cwaChanDelete Class	A-220
cwaChanActive Class	A-221
cwaChanFail Class	A-222
cwaChanConfigChange Class	A-223
cwaChanMultipleChanInAlarms Class	A-224
cwaChanDown Class	A-224
cwaChanUp Class	A-225
cwaChanMajorAlarm Class	A-226
cwaChanMinorAlarm Class	A-227
cwaChanAlarmSummary Class	A-228
cwTrapsLost Class	A-229
cwBulkFileCreationStarted Class	A-229
cwBulkFileCreationDone Class	A-229
cwBulkFileCreationAborted Class	A-230
cwBulkNoTaskAvailable Class	A-231
cwBulkFileCreationFailed Class	A-231
cwStatScmlpAddressChange Class	A-231
cwStatFileInfo Class	A-232
cwStatsEnableFileSentToModules Class	A-232
cwStatsEnableFileSentToNBSM Class	A-232
ciscoWANSscopLinkChange Class	A-232
ciscoWANPnniControllerStateChange Class	A-233
ciscoWANIntfAddTrap Class	A-234
ciscoWANIntfDeleteTrap Class	A-235
ciscoWANIntfConfigurationChangeTrap Class	A-235
ciscoWANIntfOperationChangeTrap Class	A-236
ciscoWANSpvcFailTrap Class	A-237
ciscoWANPnniControllerStndbyFailed Class	A-238

ciscoWANSpvcNodePrefixChange Class	A-239
ciscoWANSpvcFailureTrap Class	A-239
ciscoWANClockChangeTrap Class	A-240
ciscoWANPnnilfChange Class	A-241
cwSntpCurrentPeer Class	A-242
cwSntpPeerConfigured Class	A-242
cwSntpPeerDeleted Class	A-242
cwSntpClientSync Class	A-243
cwSntpClientUnSync Class	A-243
cwtGatewayConfigChange Class	A-243
cwtGatewayNodalInfoAdd Class	A-244
cwtGatewayNodalInfoChange Class	A-245
cwtGatewayNodalInfoDelete Class	A-246
cwtGatewayNodalInfoFull Class	A-247
cwtGatewayFeederInfoAdd Class	A-247
cwtGatewayFeederInfoChange Class	A-248
cwtGatewayFeederInfoDelete Class	A-249
cwShelfLossLmiAlarmTrap Class	A-250
cwShelfLossLmiAlarmClearTrap Class	A-250
cwControllerAdd Class	A-251
cwControllerDelete Class	A-252
cwSonetLineUp Class	A-253
cwSonetLineDown Class	A-253
cwSonetLineConfigChange Class	A-254
cwSonetLineInAlarm Class	A-254
cwSonetLineNoAlarm Class	A-255
cwSonetLineLpbkEnable Class	A-255
cwSonetLineLpbkDisable Class	A-256
cwSonetSectionStatAlarm Class	A-256
cwSonetLineStatAlarm Class	A-257
cwSonetPathStatAlarm Class	A-258
cwSonetLineInSFAlarm Class	A-258
cwSonetLineInSFAlarmClear Class	A-259
cwSonetLineInSDAlarm Class	A-259
cwSonetLineInSDAlarmClear Class	A-260

cwSonetApsConfigChange Class	A-260
cwSonetApsEnable Class	A-261
cwSonetApsDisable Class	A-262
cwSonetApsLineFailure Class	A-263
cwSonetApsLineSwitch Class	A-263
cwSonetApsLineSwitchFailure Class	A-264
cwSonetApsRedundantLineInAlarm Class	A-265
cwSonetApsRedundantLineAlarmClear Class	A-266
cwSonetApsFailureClear Class	A-267
cwSonetApsModeMismatch Class	A-267
cwSonetApsModeMismatchClear Class	A-268
cwSonetApsPrimarySecondarySwap Class	A-269
cwSonetApsProtectionLineAdd Class	A-270
cwSonetApsProtectionLineDelete Class	A-271
cwDs3LineUp Class	A-271
cwDs3LineDown Class	A-272
cwDs3LineConfigChange Class	A-272
cwDs3LineInAlarm Class	A-273
cwDs3LineNoAlarm Class	A-274
cwDs3LineLpbkEnable Class	A-274
cwDs3LineLpbkDisable Class	A-275
cwDs3StatAlarm Class	A-275
cwDs3PlcpInAlarm Class	A-276
cwDs3PlcpNoAlarm Class	A-276
cwDs3PlcpStatInAlarm Class	A-277
cwDs3FELineLpbkEnable Class	A-278
cwDs3FELineLpbkDisable Class	A-278
cwDs3LossOfClockSource Class	A-279
cwDs1LineUp Class	A-279
cwDs1LineDown Class	A-280
cwDs1LineConfigChange Class	A-280
cwDs1LineInAlarm Class	A-281
cwDs1LineNoAlarm Class	A-281
cwDs1NELineLpbkEnable Class	A-282
cwDs1NELineLpbkDisable Class	A-282

cwDs1FELineLpbkEnable Class	A-283
cwDs1FELineLpbkDisable Class	A-283
cwAtmfAdd Class	A-284
cwAtmfDelete Class	A-284
cwAtmfUp Class	A-285
cwAtmfDown Class	A-285
cwAtmfConfigChange Class	A-286
cwAtmfSctFileAlarm Class	A-286
cwAtmfSctFileNoAlarm Class	A-287
cwCardIngSctFileAlarm Class	A-287
cwCardIngSctFileNoAlarm Class	A-288
cwCardIngSctFileldChange Class	A-288
cwAtmPhyInAlarm Class	A-289
cwAtmPhyNoAlarm Class	A-289
cwAtmPhyConfigChange Class	A-290
cwRsrcPartAdd Class	A-290
cwRsrcPartDelete Class	A-291
cwRsrcPartConfigChange Class	A-291
cwFeederAdded Class	A-292
cwFeederDeleted Class	A-293
cwFeederLMIUp Class	A-294
cwFeederLMIDown Class	A-295
cwFeederConfigChange Class	A-296
cwLMIAdded Class	A-297
cwLMIDeleted Class	A-298
cwLMIUp Class	A-299
cwLMIDown Class	A-300
cwLMConfigChange Class	A-301
cwRpmSubIfAdd Class	A-302
cwRpmSubIfDelete Class	A-303
cwRpmSubIfUp Class	A-304
cwRpmSubIfDown Class	A-305
cwRpmSubIfConfigChange Class	A-306
cwRpmSubIfOperUp Class	A-307
cwRpmSubIfOperDown Class	A-308

cwRpmSubIfOperUnknown Class	A-309
cwModuleConfigChange Class	A-310
cwModuleStatsConfigChange Class	A-310
cwInterfaceLinkAdd Class	A-311
cwInterfaceLinkDelete Class	A-312
cwInterfaceLinkCfgChange Class	A-313
cwBERTStart Class	A-314
cwBERTEnd Class	A-315
cwBERTAbort Class	A-315
cwEthernetUp Class	A-315
cwEthernetDown Class	A-316
cwEthernetConfigChange Class	A-316
cwImaGrpAdd Class	A-317
cwImaGrpDelete Class	A-317
cwImaGrpUp Class	A-318
cwImaGrpDown Class	A-318
cwImaGrpConfigChange Class	A-319
cwImaLinkAdd Class	A-319
cwImaLinkDelete Class	A-320
cwImaLinkConfigChange Class	A-320
cwImaGrpAlarm Class	A-321
cwImaGrpAlarmCleared Class	A-321
cwImaLinkAlarm Class	A-322
cwImaLinkAlarmCleared Class	A-323
cwImaGrpTXBandwidthChange Class	A-323
cimaAlarmGrpGSMChange Class	A-324
cwPosInterfacelnAlarm Class	A-324
cwPosInterfacelnNoAlarm Class	A-325
cwPosInterfaceUp Class	A-325
cwPosInterfaceDown Class	A-326
cwPosInterfaceConfigChange Class	A-326
cwCardRoleSwap Class	A-327
cwnActiveClock Class	A-327
cwnManualClockSourceConfigured Class	A-328
cwnClockSourceConfigured Class	A-328

cwnClockSourceFailed Class	A-329
cwnClockSourceOK Class	A-330
cwSCTFileAddInNode Class	A-331
cwSCTFileRemoveInNode Class	A-332
cwSCTFileChangeInNode Class	A-333
cwSCTFileStatusInNode Class	A-334

INDEX



Preface

This chapter describes the objectives, audience, organization, and conventions of the *Cisco Voice CORBA Gateway Developer Reference Guide*, and contains the following sections:

- [Audience, page xxiii](#)
- [Organization, page xxiv](#)
- [Related Documentation, page xxv](#)
- [Conventions, page xxvi](#)
- [Obtaining Documentation, page xxvii](#)
- [Obtaining Technical Assistance, page xxviii](#)
- [Obtaining Additional Publications and Information, page xxx](#)

Audience

This guide is meant for developers of network management applications, such as the Packet Telephony Center (PTC), that need information about the element manager (EM) CORBA/IDL provided by the Cisco Voice CORBA Gateway. The Cisco Voice CORBA Gateway supports the Cisco Media Gateway Manager system, specifically:

- Cisco EMF, Version 3.2 Service Pack 4
- Cisco Media Gateway Manager, Version 3.0 or 3.0.1

Organization

This guide contains instructions for installing the Cisco Voice CORBA Gateway and writing applications that use it.

The following table outlines the chapters this guide contains.

Table 1 *Organization*

Chapter Number	Chapter Name	Description
Chapter 1	Cisco Voice CORBA Gateway Orientation	Describes the features and architecture of the product
Chapter 2	Installing the Cisco Voice CORBA Gateway	Explains how to install and test the software
Chapter 3	Managing the Cisco Voice CORBA Gateway Object Model	Defines the interface and explains how to use its methods
Chapter 4	Using Cisco Voice CORBA Gateway Operations	Describes the XML strings that support the interface operations
Chapter 5	Subscribing for Cisco Voice CORBA Gateway Events	Defines the event types which the application supports: object and alarm
Chapter 6	Cisco Media Gateway Manager	Describes the EM object module and action interfaces
Appendix A	Cisco Media Gateway Manager 3.0/3.0.1 Attribute Summary	Lists the attribute names used by GET, SET, BUKLGET, and BULKSET operations, specific to the Cisco Media Gateway Manager

Related Documentation

The following Cisco publications contain additional information related to the operation of the Cisco Voice CORBA Gateway.

- *Cisco Media Gateway Manager User Guide, Release 3.0*

http://www.cisco.com/application/pdf/en/us/guest/products/ps4982/c1629/ccmigration_09186a0080144474.pdf

This guide describes the user interface for the Cisco Media Gateway Manager 3.0/3.0.1.

- *Cisco VISM Installation and Configuration Guide, Release 3.0*

http://www.cisco.com/application/pdf/en/us/guest/products/ps3920/c1676/ccmigration_09186a00800b3d2e.pdf

This guide describes the features, functions, installation, operation, and command line interface of Cisco Voice Interworking Service Module (VISM) Release 3.0.

- *Release Notes for Cisco Voice Interworking Service Module Release 3.1(1)*

http://www.cisco.com/univercd/cc/td/doc/product/wanbu/mgx8850/vism31/v311_rln.pdf

These release notes provide upgrade information and new features present in the 3.1(1) release.

- *Cisco MGX 8830, MGX 8850 (PXM45 and PXM1E), and MGX 8950 Command Reference, Release 3*

http://www.cisco.com/application/pdf/en/us/guest/products/ps1935/c1051/ccmigration_09186a00800e70d2.pdf

This guide provides command line interface (CLI) command descriptions for the PXM45 and PXM1E.

Conventions

This publication uses the following conventions.

Command descriptions use these conventions:

- Commands and keywords are in **boldface**.
- Arguments for which you supply values are in *italics*.
- Required command arguments are inside angle brackets (< >).
- Optional command arguments are in square brackets ([]).
- Alternative keywords are separated by vertical bars (|).

Examples use these conventions:

- Terminal sessions and information the system displays are in `screen font`.
- Information you enter is in **boldface screen font**.
- Nonprinting characters, such as passwords, are in angle brackets (< >).
- Default responses to system prompts are in square brackets ([]).

Notes, tips, cautions, and warnings use the following conventions and symbols:



Warning

Means danger. You are in a situation that could cause bodily injury. Before you work on any equipment, you must be aware of the hazards involved with electrical circuitry and be familiar with standard practices for preventing accidents.



Caution

Means reader be careful. You are capable of doing something that might result in equipment damage or loss of data.



Note

Means reader take note. Notes contain helpful suggestions or references to materials not contained in this manual.



Timesaver

Means the described action saves time. You can save time by performing the action described in the paragraph.



Tip

Means the following information might help you solve a problem.

Obtaining Documentation

Cisco provides several ways to obtain documentation, technical assistance, and other technical resources. These sections explain how to obtain technical information from Cisco Systems.

Cisco.com

You can access the most current Cisco documentation on the World Wide Web at this URL:

<http://www.cisco.com/univercd/home/home.htm>

You can access the Cisco website at this URL:

<http://www.cisco.com>

International Cisco websites can be accessed from this URL:

http://www.cisco.com/public/countries_languages.shtml

Documentation CD-ROM

Cisco documentation and additional literature are available in a Cisco Documentation CD-ROM package, which may have shipped with your product. The Documentation CD-ROM is updated regularly and may be more current than printed documentation. The CD-ROM package is available as a single unit or through an annual or quarterly subscription.

Registered Cisco.com users can order a single Documentation CD-ROM (product number DOC-CONDOCCD=) through the Cisco Ordering tool:

http://www.cisco.com/en/US/partner/ordering/ordering_place_order_ordering_tool_launch.html

All users can order annual or quarterly subscriptions through the online Subscription Store:

<http://www.cisco.com/go/subscription>

Ordering Documentation

You can find instructions for ordering documentation at this URL:

http://www.cisco.com/univercd/cc/td/doc/es_inpk/pdi.htm

You can order Cisco documentation in these ways:

- Registered Cisco.com users (Cisco direct customers) can order Cisco product documentation from the Networking Products MarketPlace:

<http://www.cisco.com/en/US/partner/ordering/index.shtml>

- Nonregistered Cisco.com users can order documentation through a local account representative by calling Cisco Systems Corporate Headquarters (California, USA.) at 408 526-7208 or, elsewhere in North America, by calling 800 553-NETS (6387).

Documentation Feedback

You can submit comments electronically on Cisco.com. On the Cisco Documentation home page, click **Feedback** at the top of the page.

You can send your comments in e-mail to bug-doc@cisco.com.

You can submit comments by using the response card (if present) behind the front cover of your document or by writing to the following address:

Cisco Systems
Attn: Customer Document Ordering
170 West Tasman Drive
San Jose, CA 95134-9883

We appreciate your comments.

Obtaining Technical Assistance

For all customers, partners, resellers, and distributors who hold valid Cisco service contracts, the Cisco Technical Assistance Center (TAC) provides 24-hour, award-winning technical support services, online and over the phone. Cisco.com features the Cisco TAC website as an online starting point for technical assistance.

Cisco TAC Website

The Cisco TAC website (<http://www.cisco.com/tac>) provides online documents and tools for troubleshooting and resolving technical issues with Cisco products and technologies. The Cisco TAC website is available 24 hours a day, 365 days a year.

Accessing all the tools on the Cisco TAC website requires a Cisco.com user ID and password. If you have a valid service contract but do not have a login ID or password, register at this URL:

<http://tools.cisco.com/RPF/register/register.do>

Opening a TAC Case

The online TAC Case Open Tool (<http://www.cisco.com/tac/caseopen>) is the fastest way to open P3 and P4 cases. (Your network is minimally impaired or you require product information). After you describe your situation, the TAC Case Open Tool automatically recommends resources for an immediate solution. If your issue is not resolved using these recommendations, your case will be assigned to a Cisco TAC engineer.

For P1 or P2 cases (your production network is down or severely degraded) or if you do not have Internet access, contact Cisco TAC by telephone. Cisco TAC engineers are assigned immediately to P1 and P2 cases to help keep your business operations running smoothly.

To open a case by telephone, use one of the following numbers:

Asia-Pacific: +61 2 8446 7411 (Australia: 1 800 805 227)

EMEA: +32 2 704 55 55

USA: 1 800 553-2447

For a complete listing of Cisco TAC contacts, go to this URL:

<http://www.cisco.com/warp/public/687/Directory/DirTAC.shtml>

TAC Case Priority Definitions

To ensure that all cases are reported in a standard format, Cisco has established case priority definitions.

Priority 1 (P1)—Your network is “down” or there is a critical impact to your business operations. You and Cisco will commit all necessary resources around the clock to resolve the situation.

Priority 2 (P2)—Operation of an existing network is severely degraded, or significant aspects of your business operation are negatively affected by inadequate performance of Cisco products. You and Cisco will commit full-time resources during normal business hours to resolve the situation.

Priority 3 (P3)—Operational performance of your network is impaired, but most business operations remain functional. You and Cisco will commit resources during normal business hours to restore service to satisfactory levels.

Priority 4 (P4)—You require information or assistance with Cisco product capabilities, installation, or configuration. There is little or no effect on your business operations.

Obtaining Additional Publications and Information

Information about Cisco products, technologies, and network solutions is available from various online and printed sources.

- The *Cisco Product Catalog* describes the networking products offered by Cisco Systems, as well as ordering and customer support services. Access the *Cisco Product Catalog* at this URL:

http://www.cisco.com/en/US/products/products_catalog_links_launch.html

- Cisco Press publishes a wide range of networking publications. Cisco suggests these titles for new and experienced users: *Internetworking Terms and Acronyms Dictionary*, *Internetworking Technology Handbook*, *Internetworking Troubleshooting Guide*, and the *Internetworking Design Guide*. For current Cisco Press titles and other information, go to Cisco Press online at this URL:

<http://www.ciscopress.com>

- Packet magazine is the Cisco quarterly publication that provides the latest networking trends, technology breakthroughs, and Cisco products and solutions to help industry professionals get the most from their networking investment. Included are networking deployment and troubleshooting tips, configuration examples, customer case studies, tutorials and training, certification information, and links to numerous in-depth online resources. You can access Packet magazine at this URL:

<http://www.cisco.com/go/packet>

- iQ Magazine is the Cisco bimonthly publication that delivers the latest information about Internet business strategies for executives. You can access iQ Magazine at this URL:

<http://www.cisco.com/go/iqmagazine>

- Internet Protocol Journal is a quarterly journal published by Cisco Systems for engineering professionals involved in designing, developing, and operating public and private internets and intranets. You can access the Internet Protocol Journal at this URL:

http://www.cisco.com/en/US/about/ac123/ac147/about_cisco_the_internet_protocol_journal.html

- Training—Cisco offers world-class networking training. Current offerings in network training are listed at this URL:

<http://www.cisco.com/en/US/learning/index.html>



Cisco Voice CORBA Gateway Orientation

Network management layer applications can communicate with the EM through the CORBA/IDL interface provided by the Cisco Voice CORBA Gateway (Cisco Voice CORBA Gateway). Using Cisco Voice CORBA Gateway, developers can write network management layer applications that work with the EM to manage a network of Cisco gateway devices.

This chapter contains the following sections:

- [Cisco Voice CORBA Gateway Features, page 1-2](#)
- [About the Cisco Voice CORBA Gateway Architecture, page 1-3](#)
- [About the Cisco Voice CORBA Gateway Interface, page 1-5](#)

Cisco Voice CORBA Gateway Features

With Cisco Voice CORBA Gateway, the EM can interact with higher-level network management systems. Together, Cisco Voice CORBA Gateway and the EM conform to the Telecommunications Management Network (TMN) model, operating as an Element Management System (EMS) at the element management layer. As such, the EM manages a subnetwork of homogenous network elements, and supports upper layer managers.

Cisco Voice CORBA Gateway provides the following network management interfaces:

- Event Notification

An event notification service filters and reports alarms and events to client applications. Clients register for the desired alarms.

- Configuration management

An object access process traverses the object hierarchy to discover and upload objects in bulk. Client applications can configure individual attributes on a single chassis, or perform bulk configurations across multiple chassis.

About the Cisco Voice CORBA Gateway Architecture

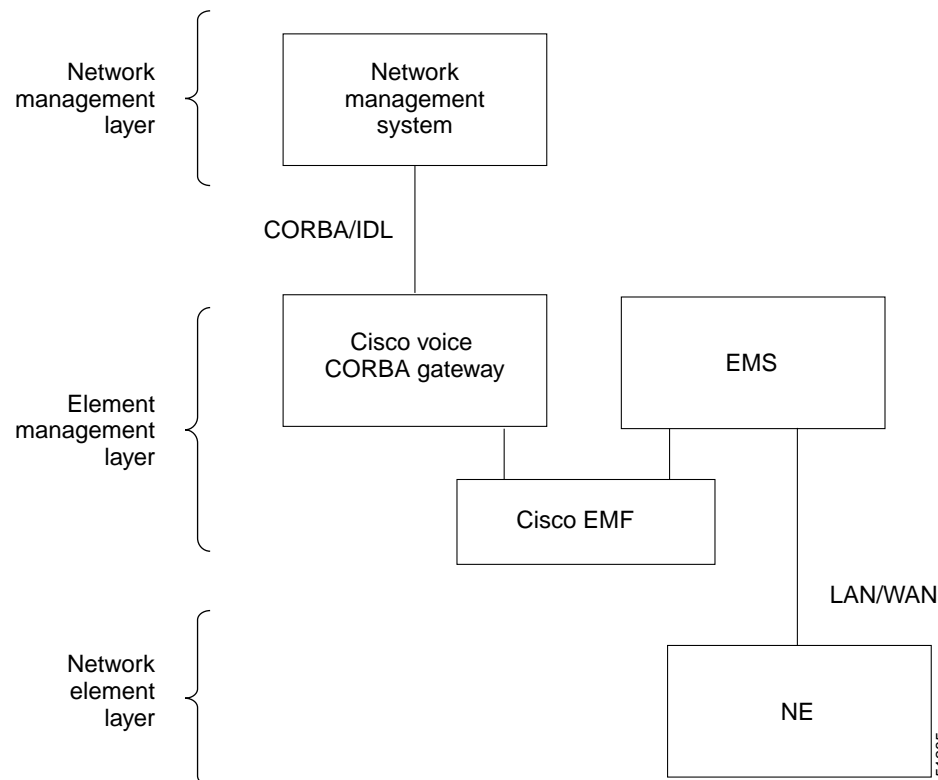
Cisco Voice CORBA Gateway 2.0 provides a standard interface that a Network Management System (NMS) can use to communicate with the EM and the underlying network elements. Cisco Voice CORBA Gateway uses two primary processes:

- Object access
- Notification service

Object Access Process

Cisco Voice CORBA Gateway is one part of a management solution that includes network managers, element managers, and network elements, as defined by TNM (see the following figure).

Figure 1-1 Object Access Architecture

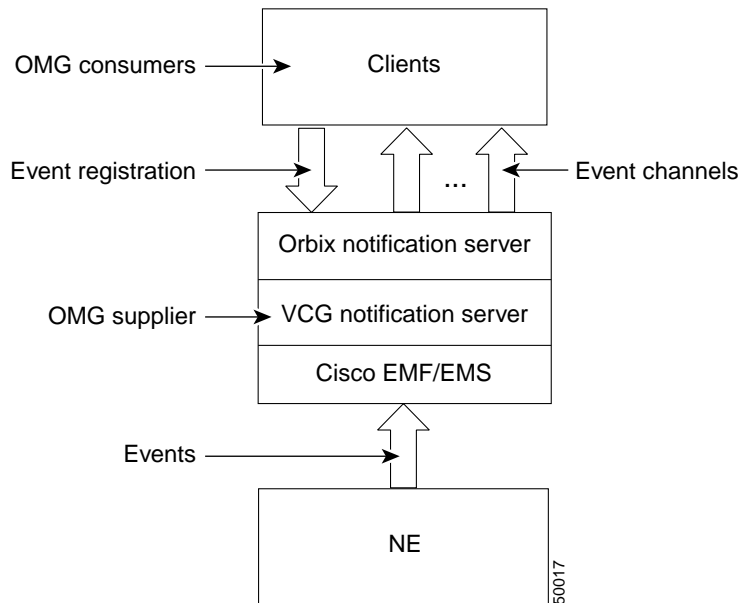


Cisco Voice CORBA Gateway translates CORBA IDL XML requests from higher-layer applications into XML strings, and then converts these XML strings into Cisco EMF data formats. In turn, the EM controls the underlying Cisco gateway devices. The implementation of Cisco Voice CORBA Gateway is based on Cisco EMF and Iona ORBIX.

Notification Process

Cisco Voice CORBA Gateway uses the Orbix Notification Service to transmit events to client applications. These clients use the CORBA interface of the Orbix Notification Service interface to receive and filter incoming events. This process uses the concept of consumers and suppliers of events, as defined by the Object Management Group (OMG) (see the following figure).

Figure 1-2 Notification Architecture



Consumers register with the Orbix notification server to receive notifications of event types, such as card or line alarms. When these event types occur at the Cisco gateway devices, they propagate to the VCG supplier, which sends notifications to the Orbix notification service, which in turn sends them to consumers through event channels.

For Cisco Voice CORBA Gateway, the supplier is the VCG notification service and the consumer is the client application. The Orbix notification layer provides a standard interface for exchanging information. The Orbix notification server is installed as part of Cisco EMF.

About the Cisco Voice CORBA Gateway Interface

Cisco Voice CORBA Gateway implements an CORBA/IDL interface for object access and utilizes Orbix Notification Services for publishing events.

Object Access Interface

Cisco Voice CORBA Gateway provides a synchronous Application Programming Interface (API) with a single method, **invoke**. This method includes several arguments, one of which specifies the basic type of operation:

- **GET**—Retrieves the attribute through the EMS objects
- **SET**—Changes the values through the EMS objects
- **ACTION**—Performs one of the supported actions
- **QUERY**—Learns the path identifiers for EMS objects
- **UPLOAD**—Retrieves the objects in the containment hierarchy
- **BULKGET**—Retrieves bulk information, such as lines with alarms present
- **BULKSET**—Sets bulk configurations, such as initializing sequential DS1 lines
- **BULKACTION**—Performs bulk actions

Specify the details for these actions using XML encoded strings, which also pass as argument for *invoke*. This string specifies the target object identifier and attribute information.

Notification Interface

Cisco Voice CORBA Gateway uses the Iona ORBIX notification features. The Iona ORBIX interface provides an API that supports the event registration and notification features. For more information about features and usage guidelines, refer to the Iona ORBIX documentation.



Installing the Cisco Voice CORBA Gateway

This chapter describes how to install Cisco Voice CORBA Gateway (Cisco Voice CORBA Gateway) and contains the following sections:

- [Requirements, page 2-2](#)
- [Installation Tasks, page 2-3](#)

Requirements

Requirements exist in the following areas:

- [Platform Requirements](#)
- [Software Requirements](#)
- [Development Tools](#)

These requirements are described in the following paragraphs.

Platform Requirements

The platform resources for Cisco Voice CORBA Gateway are the same as those of the EM. For specific requirements, refer to the appropriate user guide.

Software Requirements

The Cisco Voice CORBA Gateway is compatible with the following software:

- Cisco EMF, Version 3.2 Service Pack 4
- Cisco Media Gateway Manager, Version 3.0 or 3.0.1

The only software required for this installation is the Cisco Voice CORBA Gateway, Version 2.0.

Development Tools

The following tools are required to develop an application for Cisco Voice CORBA Gateway:

- Orbix2000 for SunPro SPARCompiler C++
- Orbix web for Java compiler

Installation Tasks

To install Cisco Voice CORBA Gateway, perform the following tasks:

1. [Installing Prerequisite Software](#)
2. [Installing the Cisco Voice CORBA Gateway Server](#)
3. [Testing the Installation](#)
4. [Setting Up Cisco Voice CORBA Gateway to Upload Using SFTP](#)

These tasks are described in the following sections.


Installing Prerequisite Software

Before installing Cisco Voice CORBA Gateway, install and start the following software:

- Cisco EMF, Version 3.2
- Cisco Media Gateway Manager, Version 3.0 or 3.0.1

Installing the Cisco Voice CORBA Gateway Server

Perform the following steps to install Cisco Voice CORBA Gateway:

-
- Step 1** Log in as the root user.
- Step 2** Change to the install directory on the CD ROM.
- ```
cd <CDROM>/CSC0vcg/install
```
- Step 3** Start the installation script and follow the onscreen instructions. To start the script, enter the following command:
- ```
./vcginstall
```
-  **Tip** For help, enter `./vcginstall -h`
-
- A listing of available installation options displays.
- Step 4** At the prompt, enter the appropriate installation option. Enter 1 to install the Cisco Voice CORBA Gateway server and client.
- Following the completion of installation, the Cisco Voice CORBA Gateway server starts.
-

Restarting the Servers

To restart both of the Cisco Voice CORBA Gateway servers (ObjectAccess and McgNotifyServer), follow these steps:

-
- Step 1** Log in as the root user.
- Step 2** Stop the servers as follows:
- Change to the <CEMFROOT>/VCG/install directory. For example:

```
cd /opt/cemf/VCG/install
```
 - Run the following command:

```
./vcginstall -d
```
- Step 3** Start the servers as follows:
- Change to the <CEMFROOT>/install directory. For example:

```
cd /opt/cemf/install
```
 - Run the following command:

```
./vcginstall -u
```
-

To restart Cisco Voice CORBA Gateway servers (ObjectAccess and McgNotifyServer) individually, follow these steps:

-
- Step 1** Log in as the root user.
- Step 2** Change to the <CEMFROOT>/bin directory. For example:

```
cd /opt/cemf/VCG/bin
```
- Step 3** Run the following command:

```
./cemf shell
```
- Step 4** Restart the ObjectAccess processes individually:
- Stop the ObjectAccess by entering the following command:

```
./sysmgrClient -k ObjectAccess
```
 - Start the ObjectAccess by entering the following command:

```
./sysmgrClient -x ObjectAccess
```
- Step 5** Restart the McgNotifyServer processes individually:
- Stop the McgNotifyServer by entering the following command:

```
./sysmgrClient -k McgNotifyServer
```
 - Start the McgNotifyServer by entering the following command:

```
./sysmgrClient -x McgNotifyServer
```
-

Removing the Cisco Voice CORBA Gateway Server

To remove Cisco Voice CORBA Gateway, follow these steps:

-
- Step 1** Log in as the root user.
- Step 2** Change to the `<CEMFROOT>/VCG/install` directory. For example:
- ```
cd /opt/cemf/VCG/install
```
- Step 3** Run the deinstallation script.
- ```
./vcginstall -r
```
-

Testing the Installation

The Cisco Voice CORBA Gateway distribution contains client and event consumer binaries for testing the installation. These binaries are present in the `<CEMF_ROOT>/VCG/bin` directory.

Using the Client Test Program

The client program reads the specified XML file (by default `../XMLinput/inputfile.txt`), and invokes, CORBA calls to the Cisco Voice CORBA Gateway interface. The first two lines of the input file specify the operation to be performed, the containment path, and the EMS object. Remember that the containment path and the EMS object identifiers will have values specific to the deployed network. The XML file can be saved in the XMLinput directory with the file name `sample.txt`. An example XML file contents are shown below for ACTION operation on a VISM card.

```
ACTION
cmgm:/CMGM_Site_Saratoga/172.16.38.111/VISM_Slot_2
<ACTIONREQUEST>
<ACTIONNAME>AddDSLLineAction</ACTIONNAME>
<OBJECTATTRIBUTE name="SNMP:RFC1406-MIB.dsxlLineIndex">1</OBJECTATTRIBUTE>
<OBJECTATTRIBUTE name="SNMP:RFC1406-MIB.dsxlLinesNumRepetition">2</OBJECTATTRIBUTE>
</ACTIONREQUEST>
```

To test the installation using the client program, follow these steps:

-
- Step 1** Change to the `<CEMF_ROOT>/VCG/bin` directory. For example:
- ```
cd /opt/cemf/VCG/bin
```
- Step 2** Start the client by entering the following command:
- ```
./client [-host localhost] [-useNS true] [-file filename]
```
- For example:
- ```
./client -file ../XMLinput/samplefile.txt
```



### Note

The `-useNS` option specifies use of a naming service.

---

The client program returns connection information, followed by this string:

```
operation:ACTION
oid:cmgm:/CMGM_Site_Saratoga/172.16.38.111/VISM_Slot_2
inXML is:<ACTIONREQUEST><ACTIONNAME>AddDSLLineAction</ACTIONNAME><OBJECTATTRIBUTE name=
"SNMP:RFC1406-MIB.dsxlLineIndex">11</OBJECTATTRIBUTE></OBJECTATTRIBUTE><OBJECTATTRIBUTE
name= "SNMP:RFC1406-MIB.dsxlLinesNumRepetition">1</OBJECTATTRIBUTE></ACTIONREQUEST>
 START TIME: Sun Dec 10 17:26:24 2000
 END TIME: Sun Dec 10 17:26:26 2000
 TIME LAPSED: 2 sec
result:1
outargs:<OPERATIONRESULTS><RESULTUNIT><ACTIONRESULTS> DSL Add SUCCEEDED with
status=1</ACTIONRESULTS></RESULTUNIT></OPERATIONRESULTS>
```

---

## Using the Consumer Test Program

Using the consumer program provided with Cisco Voice CORBA Gateway, test event notification from Cisco Voice CORBA Gateway. Upon receiving events, the program displays the event messages.

To use the consumer program follow these steps:

- 
- Step 1** Go to the `<CEMF_ROOT>/cemf/bin` directory. For example:
- ```
cd /opt/cemf/bin
```
- Step 2** Open a CEMF shell.
- ```
./cemf shell
```
- Step 3** Change to the `<CEMF_ROOT>/VCG/bin` directory. For example:
- ```
cd /opt/cemf/VCG/bin
```
- Step 4** Run the Consumer program as follows:
- Run the Consumer program for ObjectEvents by entering the following command:


```
./OBJEVConsumer
```
 - Run the Consumer program for AlarmEvents by entering the following command:


```
./ALMEVConsumer
```

The consumer program returns connection information, followed by events, as they occur. The following example shows two events:

Attribute value change Event:

consumer: Received Event Batch # 0

FIXED HEADER

Domain_Type: MCG

Event_Type: GenericObjectEvent

Event_Name:

VARIABLE HEADER

Variable header length is 0

FILTERABLE BODY FIELDS

Filterable body length is 6

Filterable Fields:0: CLASS = CMGMMGX8850

Filterable Fields:1: PATH = cmgm:/CMGM_Site_Saratoga/172.17.38.111

Filterable Fields:2: PARENT = cmgm:/CMGM_Site_Saratoga

Filterable Fields:3: OID = 0x00000101:0x0000100f

Filterable Fields:4: EVENTTYPE = AttributeValue-Change

Filterable Fields:5: TIMESTAMP = Wed Dec 06 13:00:42 2000

REMAINING BODY: with len= 1

Attr-0-Name: SYSTEM-SCALARS-MIB.systemNodeName Value: MMS

Alarm Creation Event:

consumer: Received Event Batch # 3

FIXED HEADER

Domain_Type: MCG

Event_Type: AlarmEvent

Event_Name:

VARIABLE HEADER

Variable header length is 0

FILTERABLE BODY FIELDS

Filterable body length is 11

Filterable Fields:0: CLASS = CMGMSCC

Filterable Fields:1: PATH = cmgm:/CMGM_Site_Saratoga/172.17.38.111/SCC_Slot_9

Filterable Fields:2: OID = 0x00000101:0x0000103a

Filterable Fields:3: TIMESTAMP = Wed Dec 06 13:05:02 2000

Filterable Fields:4: EVENTTYPE = Alarm-Creation

Filterable Fields:5: STATUSINFO = ACTIVE

Filterable Fields:6: ACKSTATUSINFO = UNACK

Filterable Fields:7: SEQUENCENUMBER = 2295

Filterable Fields:8: SEVERITY = minor

Filterable Fields:9: PROBABLECAUSE = cardMinorAlarm

Filterable Fields:10: ADDITIONALINFO = MGX8850 Card Minor Alarm

Setting Up Cisco Voice CORBA Gateway to Upload Using SFTP

To use the Secure Transfer Mode (i.e., SFTP) as the transport for the UPLOAD action, follow the steps below:

Step 1 Install the SSH package.



Note OpenSSH v3.4p1 is tested with Cisco Voice CORBA Gateway.

Step 2 Create a soft link for `SSH_INSTALL_BIN/sftp` under `VCG_INSTALL/bin/sftp` by entering the following:

```
ln -s /usr/local/bin/sftp /opt/cemf/VCG/bin/sftp
```

Step 3 Set the `TransferMode` variable value to `SFTP` in `CEMF_INSTALL/config/init/ObjectAccess.ini` by entering the following:

```
TransferMode = SFTP
```

Step 4 Restart ObjectAccess Server.

Step 5 Ensure that `sshd` is running on the client and server machines.

Step 6 Enter the following commands:

```
cd $VCG_INSTALL/bin
./sftp <username>@<client's hostname>
```

The following message displays:

```
The authenticity of host '<hostname> (IP Address of the client host)' can't be
established.
RSA key fingerprint is ea:92:2b:bc:8e:dc:ae:f6:60:c9:ef:fb:57:5c:aa:d4.
Are you sure you want to continue connecting (yes/no)?"
```

Step 7 Enter the following at the prompt:

```
yes
```

If on a Client machine where `sshd` is not running, the following message displays:

```
connect to address (IP Address of the client host) port 22: Connection refused"
```



Note To use the default FTP again, set the `TransferMode` to `FTP`.



Managing the Cisco Voice CORBA Gateway Object Model

This chapter describes how to configure and view EM objects through the CORBA/IDL interface, and contains the following sections:

- [Accessing EM Objects, page 3-2](#)
- [Working with XML Arguments, page 3-8](#)

Accessing EM Objects

Use the **invoke** method of the ObjectAccess interface to perform operations on EM objects. This method takes the following parameters:

- Object identifier for the target object (input)
- Operation name (input)
- Input arguments specified using an XML string (input)
- Results in an XML string, and possibly an iterator (output)

ObjectAccess Interface Definition

The ObjectAccess interface is defined using the Interface Definition Language (IDL), as shown below.

```
interface resultIterator
{
    boolean getNext(in short howMany, out string outargs);
};

interface ObjectAccess {
    enum ExceptionType
    {
        EXCPT_NOT_IMPLEMENTED,
        EXCPT_INTERNAL_ERROR,
        EXCPT_INVALID_INPUT,
        EXCPT_ENTITY_NOT_FOUND,
        EXCPT_FTP_ERROR,
        EXCPT_FILEACCESS_ERROR,
        EXCPT_NOT_IN_VALID_STATE
    };

    exception invokeException
    {
        ExceptionType type;
        string errorReason;
    };

    boolean invoke(in string oid, in string func, in string inargs,
        out string outargs, out resultIterator reIt) raises(invokeException);
};
```

The two IDL interfaces, resultIterator and ObjectAccess, are described in subsequent sections.

ObjectAccess invoke Method

The **invoke** method provides access to all Cisco gateway device objects.

```
boolean invoke(in string oid,
    in string func,
    in string inargs,
    out string outargs,
    out resultIterator reIt)
    raises(invokeException);
```

Syntax Description

This section describes the parameters for invoke.

Specifying the OID Argument

Network management layer applications use object identifiers to specify the objects on which to perform operations. Object identifiers are exported as part of the containment hierarchy, and may be obtained by using the operations that traverse the containment hierarchy of the underlying object model.

Identify objects in the model by containment and identifier:

- Containment path—The EM site and Cisco Gateway IP address
- Object identifier—The identifier for a specific object in the containment path

The following table identifies all the containment characteristics and object identifiers for Cisco Gateway objects:

Table 3-1 Cisco Gateway Containment Path

Level 1 Objects	Level 2 Objects	Level 3 Objects
Session_Set_n ¹	Session_Set_Grp_n	Session_Set_Mgr_n
SCC_Slot_nn	Sonet_Line_n	—
	FastEther_Line_n	—
BSC_Slot_nn	DS1_Line_nn	—
	DS3_Line_nn	—
NSC_Slot_nn	DS1_Line_nn	—
DMC_Slot_nn	DS3_Line_nn	—
DlsapProfile_nn	—	—
MacsapProfile_nn	—	—

1. The nn or n suffix indicates the object number.

When specifying the containment path and OID, separate each branch in the path by a forward slash (/). For example:

```
cmgm:/CMGM_Site_default/172.16.38.201/NSC_Slot_4/DS1_Line_3
```

Specifying the func, inargs, and outargs Arguments

The func parameter of the invoke method supports the following operations. The table also summarizes inargs and outargs usage.

Table 3-2 Operation Keywords

Operation	Description
ACTION	Performs a specific action on the specified Cisco Gateway object, such as adding a DS1 line. The type of action depends on the type of object. Client applications specify the action type and attribute names and values as an XML encoded string using the inargs argument.
QUERY	Returns a list of containment paths that satisfy the conditions of the input statement. Clients can use this operation to discover the path for all objects of a specific type that satisfy filter criteria. Clients specify the scope and filter values as an XML encoded string using the inarg argument. The results of the query are returned as an XML string in the outarg argument. An iterator, described in the “ObjectAccess getNext Method” section on page 3-5, may be returned.
UPLOAD	Selects the objects in the EM’s containment hierarchy according to a set of criteria, and FTPs their OIDs and attributes to the specified host. Clients specify the selection criteria as an XML encoded string, which includes the following types of information: <ul style="list-style-type: none"> • Starting point (root path) specified as a path to a portion of the containment hierarchy. A special value, EM:, indicates that the starting point is the absolute root, and to upload the entire tree. • FTP destination file name. • FTP host name and account information. • Selection filter.
GET	Obtains a list of attribute values for an object. The client application selects the desired object using an XML encoded string. Returns the results in an XML string that contains a list of attribute names and values for the objects.
SET	Changes one or more attributes for an object. The client application specifies a list of attribute names and values as an XML string. Cisco Voice CORBA Gateway triggers an attribute change event for objects that have changed.
BULKGET	Obtains object attributes from one or more Cisco Gateways. Clients select the desired objects and attributes using an XML encoded string. Returns the results in an XML string that contains a list of attribute names and values organized by chassis.
BULKSET	Changes object attributes in one or more Cisco Gateways. Clients specify a list of attributes and their new values as an XML string. Cisco Voice CORBA Gateway triggers an attribute change event for the object or objects that have changed.
BULKACTION	Downloads software images to multiple Cisco Gateway nodes.

For more information, see the [“Creating Input Arguments”](#) section on page 3-8.

Using the resultIterator Argument

The resultIterator parameter facilitates iteration through a sequence of operations. If a non-null iterator object is returned with the results, use the getNext function of the iterator to obtain the next set of results.

ObjectAccess getNext Method

This method provides an iterator for return values of the **invoke** method.

Syntax

```
boolean getNext(in short howMany, out string outargs);
```

Syntax Description

The following table describes the valid arguments.

Table 3-3 Arguments for getNext

howMany	The number of additional results to return, expressed as a number
outargs	The results, encoded as an XML string

Usage Guidelines

This function takes a single parameter, an integer, that specifies how many more ResultUnit sections of the XML encoded results need to be returned. The function returns the next set of ResultUnit sections of the XML.

ObjectAccess Exceptions

ObjectAccess defines the following exception types:

Table 3-4 Exceptions

Exception	Cause
EXCPT_NOT_IMPLEMENTED	The client invokes an invalid operation.
EXCPT_INTERNAL_ERROR	A ObjectAccess internal error.
EXCPT_INVALID_INPUT	The XML string is incorrect or incomplete.
EXCPT_ENTITY_NOT_FOUND	The object does not exist.
EXCPT_FTP_ERROR	The upload or software download operation failed due to incorrect host or user information.
EXCPT_FILEACCESS_ERROR	A file access problem exists.
EXCPT_NOT_IN_VALID_STATE	A chassis is not in a valid state.

Catch these exceptions using standard procedures for the specific programming language in use.

Example Program

The following example shows how to connect to VCG Server (ObjectAccess) using naming service and also shows how to perform an operation using the invoke IDL method:

```
#define MAXCOUNT 300
#define MAXATTRCOUNT 10000

CosNaming::NamingContext_var rootContext;
CosNaming::Name_var name;
CORBA::Object_var objVar;
ObjectAccess_var objectAccessVar = NULL;

char oid[MAXCOUNT];
char inXML[MAXATTRCOUNT];
char operation[MAXCOUNT];
int intResult;
char *outargs = NULL;
resultIterator_ptr& reIt=0;

try {
    objVar = orb_ptr->resolve_initial_references("NameService");
    rootContext = CosNaming::NamingContext::_narrow(objVar);

    if (CORBA::is_nil(rootContext.in())) {
        cerr << "CosNaming::NamingContext::_narrow ";
        cerr << "returned a nil object reference" << endl;
        return obAcVar;
    } else {
        name = new CosNaming::Name(2);
        name->length(2);
        name[0].id = CORBA::string_dup("Cisco");
        name[0].kind = CORBA::string_dup("");
        name[1].id = CORBA::string_dup("ObjectAccess");
        name[1].kind = CORBA::string_dup("");
        objVar = rootContext->resolve(name);
        objectAccessVar = ObjectAccess::_narrow(objVar);

        if (!CORBA::is_nil(objectAccessVar)) {
            cout <<"Narrow to ObjectAccess works" <<endl;
        } else {
            cout <<"Failed to resolve ObjectAccess via name server" <<endl;
        }
    }
} catch (CORBA::SystemException &sysEx) {
    cerr << "Unexpected system exception" << endl;
    cerr << &sysEx;
    exit(1);
} catch (...) {
    cerr << "The Use of Naming Service Failed" << endl;
    cerr << "Unexpected exception " << endl;
    exit(1);
}

if(!strcmp(operation,"QUERY")){
    intResult = objectVar->invoke(oid,"QUERY",inXML,outargs, reIt);
} else if (!strcmp(operation,"GET")) {
    intResult = objectVar->invoke(oid,"GET",inXML,outargs, reIt);
} else if (!strcmp(operation,"SET")){
    intResult = objectVar->invoke(oid,"SET",inXML,outargs, reIt);
} else if (!strcmp(operation,"ACTION")){
    intResult = objectVar->invoke(oid,"ACTION",inXML,outargs, reIt);
} else if (!strcmp(operation,"BULKACTION")){
```

```
        intResult = objectVar->invoke(oid,"BULKACTION",inXML,outargs, reIt);
    } else if (!strcmp(operation,"UPLOAD")){
        intResult = objectVar->invoke(oid,"UPLOAD",inXML,outargs, reIt);
    } else if (!strcmp(operation,"BULKGET")){
        intResult = objectVar->invoke(oid,"BULKGET",inXML,outargs, reIt);
    } else if (!strcmp(operation,"BULKSET")){
        intResult = objectVar->invoke(oid,"BULKSET",inXML,outargs, reIt);
    } else {
        cout <<"Invalid Operation" <<endl;
    }
    cout << "result:" << intResult << endl;
    cout << "outargs:" << outargs <<endl;
```

Working with XML Arguments

The input and output for the invoke method are XML strings. This section provides an overview of XML string usage. For details, see [Chapter 4, “Using Cisco Voice CORBA Gateway Operations.”](#)

Creating Input Arguments

The ACTION, GET, SET, BULKGET, BULKSET, and QUERY operations require operation details that are encoded in an XML string. The input argument varies by operation type.

For example, an ACTION request specifies the action type and provides a list of attribute names and values:

```
<ACTIONREQUEST>
  <ACTIONNAME>actionType</ACTIONNAME>
  <OBJECTATTRIBUTE name="attributeName">attributeValue</OBJECTATTRIBUTE>
  ...
</ACTIONREQUEST>
```

A GET request specifies a list of attribute names, as follows:

```
<GETREQUEST>
  <OBJECTATTRIBUTE name="attributeName1"></OBJECTATTRIBUTE>
  <OBJECTATTRIBUTE name="attributeName2"></OBJECTATTRIBUTE>
  ...
</GETREQUEST>
```

A BULKGET request specifies a list of attribute names, organized by managed object, as follows:

```
<BULKGETREQUEST>
  <MO identity="cmgm:CMGM_Site_default/172.16.38.201">
    <OA name=attributeName1></OA>
    <OA name=attributeName2></OA>
    ...
  </MO>
  <MO identity="cmgm:CMGM_Site_default/172.16.38.111">
    <OA name=attributeName3></OA>
    ...
  </MO>
  ...
</BULKGETREQUEST>
```

These examples represent a few operations. For more information, see [Chapter 4, “Using Cisco Voice CORBA Gateway Operations.”](#)

Table 3-5 Input XML Tags

XML Tag	Description
<ACTIONREQUEST></ACTIONREQUEST>	Encloses the attributes for an ACTION operation
<ACTIONNAME></ACTIONNAME>	Encloses the type of ACTION
<GETREQUEST></GETREQUEST>	Encloses the attributes for a GET operation
<SETREQUEST></SETREQUEST>	Encloses the attributes for a SET operation
<BULKACTION></BULKACTION>	Encloses the attributes for a BULKACTION operation
<BULKGETREQUEST></BULKGETREQUEST>	Encloses the attributes for a BULKGETREQUEST operation
<BULKSETREQUEST></BULKSETREQUEST>	Encloses the attributes for a BULKSETREQUEST operation
<MO identity="value"></MO>	Specifies the identity of a Managed Object and encloses a list of attributes
<QUERY></QUERY>	Encloses the criteria for a QUERY operation
<CHILDCLASS></CHILDCLASS>	Specifies class name of the Managed Objects on which QUERY operation has to be performed
<OBJECTATTRIBUTE name="value"></OBJECTATTRIBUTE>	Specifies the attribute name of an object for GET, SET, and ACTION operations
<OA name="value"></OA>	Specifies the attribute name of an object for BULKGETREQUEST, BULKSETREQUEST, and BULKACTION operations

Specifying Attribute Names

When creating an input argument, identify the target parameter with an attribute name. These names are based on the storage location and the relevant RFC standard. The storage location is one of the following:

- SNMP—Specifies an attribute stored in a Cisco Gateway
- LocalDB—Specifies an attribute stored in the local EM database
- EMCtr—Specifies a controller attribute

To construct an attribute name, follow these steps:

-
- Step 1** Look up the attribute to view or change and note its Cisco EMF attribute name and source location. Refer to [Appendix A, “Cisco Media Gateway Manager 3.0/3.0.1 Attribute Summary”](#).
- Step 2** Prefix the attribute name with the desired source keyword and a colon. The source keyword is SNMP, LocalDB, or EMCtr. For example:

```
SNMP:RFC1213-MIB.sysContact
```

Interpreting Result Strings

The ACTION, SET, GET, BULKGET, BULKSET, and QUERY operations return results as an XML string. All results are wrapped in the <OPERATIONRESULTS> and <RESULTUNIT> tags. The other XML tags vary by operation type.

For example, an ACTION request returns the results of the operation:

```
<OPERATIONRESULTS>
  <RESULTUNIT>
    <ACTIONRESULTS> Text message and status </ACTIONRESULTS>
  </RESULTUNIT>
</OPERATIONRESULTS>.
```

A GET request returns a string of attribute names and values:

```
<OPERATIONRESULTS>
  <RESULTUNIT>
    <GETRESULTS>
      <OBJECTATTRIBUTE name="attributeName">attributeValue</OBJECTATTRIBUTE>
      ...
    </GETRESULTS>
  </RESULTUNIT>
</OPERATIONRESULTS>
```

A BULKACTION request returns a string of attribute names and values grouped by path:

```
<OPERATIONRESULTS>
  <RESULTUNIT>
    <BULKACTIONRESULTS>
      <PATH name="cmgm:CMGM_Site_default/10.1.1.1">
        <OBJECTATTRIBUTE attributeName> attributeValue</OBJECTATTRIBUTE >
        ...
      </PATH>
      <PATH name="cmgm:CMGM_Site_default/10.1.1.2">
        <OBJECTATTRIBUTE attributeName> attributeValue</OBJECTATTRIBUTE >
      </PATH>
      ...
    </BULKACTIONRESULTS>
  </RESULTUNIT>
</OPERATIONRESULTS>
```

These examples represent a few operations. For more information, see [Chapter 4, "Using Cisco Voice CORBA Gateway Operations."](#)

The following table summarizes the results tags.

Table 3-6 Results XML Tags

XML Tag	Description
<OPERATIONRESULTS> </OPERATIONRESULTS>	Encloses the overall operation results
<RESULTUNIT></RESULTUNIT>	Encloses results units
<ACTIONRESULTS> </ACTIONRESULTS>	Encloses the data of a RESULTUNIT, in response to an ACTION operation
<GETRESULTS> </GETRESULTS>	Encloses the data of a RESULTUNIT, in response to a GET operation
<SETRESULTS> </SETRESULTS>	Encloses the data of a RESULTUNIT, in response to a SET operation
<BULKGETRESULTS> </BULKGETRESULTS>	Encloses the data of a RESULTUNIT, in response to a BULKGET operation
<BULKSETRESULTS> </BULKSETRESULTS>	Encloses the data of a RESULTUNIT, in response to a BULKSET operation
<BULKACTIONRESULTS> </BULKACTIONRESULTS>	Encloses the data of a RESULTUNIT, in response to a BULKACTION operation
<QUERYRESULTS> </QUERYRESULTS>	Encloses the QUERY results
<OBJECTATTRIBUTE name="value"> </OBJECTATTRIBUTE>	Specifies the attribute name of an object
<PATH> </PATH>	Specifies the containment path to an object

Working with Upload Strings

Upload operations are wrapped with the following XML tags. For more information, see the “[Cisco Voice CORBA Gateway Upload](#)” section on page 4-11.

Table 3-7 Upload XML Tags

XML Tag	Description
<UPLOADREQUEST></UPLOADREQUEST>	Encloses an UPLOAD request.
<ROOTPATH></ROOTPATH>	Encloses the containment PATH of the Managed Object where UPLOAD starts.
<USERNAME></USERNAME>	Encloses a username for the host used during FTP upload.
<PASSWORD></PASSWORD>	Encloses a password for the host used during FTP upload.
<FTPFILENAME></FTPFILENAME>	Encloses the destination file name on the client host for the uploaded information.
<FTPHOSTNAME> </FTPHOSTNAME>	Encloses the host name of the destination machine to be used.
<CLASSFILTER></CLASSFILTER>	Encloses filter strings that apply during UPLOAD. Only the information related to the classes and attributes specified in the class filter is uploaded.
<MO identity="value"></ MO>	Specifies the identity of a Managed Object and encloses a list of attributes.
<TB name="value"></ TB>	Specifies the name of a table.
<ROW></ ROW>	Specifies the row in the table.
<TA name="value"></ TA>	Specifies the multiple columns for each row
<OA name="value"></OA>	Specifies name of the Object Attribute for the UPLOAD operation.
<INVENTORYUPLOAD> </INVENTORYUPLOAD>	Encloses the UPLOAD results.
<PATH></PATH>	Encloses the containment path of the Managed Object. The PATH and OID uniquely identify an object.
<OID></OID>	Encloses the object identifier of the Managed Object.



Using Cisco Voice CORBA Gateway Operations

Cisco Voice CORBA Gateway supports the following types of operations:

- [Cisco Voice CORBA Gateway GET and SET, page 4-2](#)
- [Cisco Voice CORBA Gateway Bulk Operations, page 4-5](#)
- [Cisco Voice CORBA Gateway Query, page 4-10](#)
- [Cisco Voice CORBA Gateway Upload, page 4-11](#)

Cisco Voice CORBA Gateway GET and SET

The GET and SET operations support configurations of one Cisco Gateway at a time.

GET Operation

This operation gets the specified attribute values of an EMS object.

```
<GETREQUEST>
  <OBJECTATTRIBUTE name="attributeName1"></OBJECTATTRIBUTE>
  <OBJECTATTRIBUTE name="attributeName2"></OBJECTATTRIBUTE>
  ...
</GETREQUEST>
```

Syntax Description

The GET syntax is a list of attribute names in an XML string. For more information on attributes, see the attribute summary appendices.

Usage Guidelines

To use the GET operation, build an XML string with a list of attributes whose values to be retrieved and invoke the appropriate IDL method on the VCG server (invoke() method).

The XML string with the required attributes looks as follows:

```
<GETREQUEST>
  <OBJECTATTRIBUTE name="attributeName1"></OBJECTATTRIBUTE>
  <OBJECTATTRIBUTE name="attributeName2"></OBJECTATTRIBUTE>
  ...
</GETREQUEST>
```

The result of the operation is an XML string and looks as follows:

```
<OPERATIONRESULTS>
  <RESULTUNIT>
    <GETRESULTS>
      <OBJECTATTRIBUTE name="attributeName1">attributeValue1</OBJECTATTRIBUTE>
      <OBJECTATTRIBUTE name="attributeName2">attributeValue2</OBJECTATTRIBUTE>
      ...
    </GETRESULTS>
  </RESULTUNIT>
</OPERATIONRESULTS>
```

Examples

The following input XML string gets two attribute values:

```
<GETREQUEST>
  <OBJECTATTRIBUTE name="SNMP:SYSTEM-SCALARS-MIB.systemNodeName"></OBJECTATTRIBUTE>
  <OBJECTATTRIBUTE name="SNMP:SYSTEM-SCALARS-MIB.systemNodeType"></OBJECTATTRIBUTE>
</GETREQUEST>
```

The following lines show the result operation that gets the above two attributes:

```
<OPERATIONRESULTS>
  <RESULTUNIT>
    <GETRESULTS>
      <OBJECTATTRIBUTE
name="SNMP:SYSTEM-SCALARS-MIB.systemNodeName">bimini</OBJECTATTRIBUTE>
      <OBJECTATTRIBUTE
name="SNMP:SYSTEM-SCALARS-MIB.systemNodeType">0</OBJECTATTRIBUTE>
    </GETRESULTS>
  </RESULTUNIT>
</OPERATIONRESULTS>
```

SET Operation

This operation set the given object attributes with the corresponding given attribute values of an EMS object.

```
<SETREQUEST>
  <OBJECTATTRIBUTE name="attributeName1">attributeValue1</OBJECTATTRIBUTE>
  <OBJECTATTRIBUTE name="attributeName2">attributeValue1</OBJECTATTRIBUTE>
  ...
</SETREQUEST>
```

Syntax Description

The SET syntax is a list of attribute names and values in an XML string. For more information on attributes, see the attribute summary appendices. Set those attributes that have read/write permission.

Usage Guidelines

To use the SET operation, build an XML string with a list of attributes and values to be set and invoke the appropriate IDL method on the VCG server (invoke() method).

The XML string with the required attributes looks as follows:

```
<SETREQUEST>
  <OBJECTATTRIBUTE name="attributeName1">attributeValue1</OBJECTATTRIBUTE>
  <OBJECTATTRIBUTE name="attributeName2">attributeValue2</OBJECTATTRIBUTE>
  ...
</SETREQUEST>
```

The result of the operation is an XML string and looks as follows:

```
<OPERATIONRESULTS>
  <RESULTUNIT>
    <SETRESULTS>
      <OBJECTATTRIBUTE name="attributeName1">attributeValue1</OBJECTATTRIBUTE>
      <OBJECTATTRIBUTE name="attributeName2">attributeValue2</OBJECTATTRIBUTE>
      ...
    </SETRESULTS>
  </RESULTUNIT>
</OPERATIONRESULTS>
```

Examples

The following input XML string shows how to set a system attribute:

```
<SETREQUEST>
  <OBJECTATTRIBUTE
    name="SNMP:SYSTEM-SCALARS-MIB.systemNodeName">bimini</OBJECTATTRIBUTE>
</SETREQUEST>
```

The following lines show the result operation that sets the above mentioned attribute:

```
<OPERATIONRESULTS>
  <RESULTUNIT>
    <SETRESULTS>
      <OBJECTATTRIBUTE
        name="SNMP:SYSTEM-SCALARS-MIB.systemNodeName">bimini</OBJECTATTRIBUTE>
    </SETRESULTS>
  </RESULTUNIT>
</OPERATIONRESULTS>
```

Cisco Voice CORBA Gateway Bulk Operations

Bulk operations support multichassis configurations. Cisco Voice CORBA Gateway supports the following bulk operations:

- BULKACTION (software download only)
- BULKGET
- BULKSET

Bulk Action Operation

This operation performs the specified action on a multiple EMS objects.

```
<BULKACTION><ACTIONNAME>SoftwareDownloadAction</ACTIONNAME>
  <MO identity="CMGMMGX8260">
    <OA name= "PATH">cmgm:CMGM_Site_default/10.1.1.1</OA>
    <OA name= "PATH">cmgm:CMGM_Site_default/10.1.1.2</OA>
    . . .
    <OA name= "cmgmCtrl:cmgmCtrl-MIB.SoftwareDownloadSourceFile">attributeValue</OA>
    <OA name= "cmgmCtrl:cmgmCtrl-MIB.SoftwareDownloadDestFile">attributeValue</OA>
  </MO>
</BULKACTION>
```

Syntax Description

The bulk action syntax includes an action name to be carried out on objects of the class identified by attribute "identify" of the <MO> tag. Furthermore, it specifies the action to be carried out on specific instances of the class specified by the special attribute name "PATH", in the list of attributes specified. The parameters of the action are those attributes which are not the name "PATH" in the list of attributes specified. The above can be repeated for more than one class; the <MO> tag can be repeated multiple times.

Table 4-1 Bulk Action Attributes

attributeName	attributeValue	Type
PATH	The containment path for the EM object. This attribute is required.	char
EMCtrl:EMCtrl-MIB.SoftwareDownloadSourceFile	The fully qualified name and path to the software image source file. This attribute is required.	char
EMCtrl:EMCtrl-MIB.SoftwareDownloadDestFile	The destination file name. This attribute is required. The name of the software image. This name indicates the card type, major release, minor release, and version, followed by the .fw extension. For example, SCC_R01.02.03.FW indicates SCC software release 1.2.3. The release and version information (R01.02.03) must be 9 characters in length.	char

Usage Guidelines

To use the BULK ACTION operation, build an XML string with list of EMS objects, parameters (attribute names and values, if any). This is an example of the result of a BULKACTION request:

The XML string with the required attributes looks as follows:

```
<BULKACTION> <ACTIONNAME>actionName</ACTIONNAME>
  <MO identity="classIdentifier">
    <OA name="PATH">FullyDistinguishedName1</OA>
    <OA name="PATH">FullyDistinguishedName2</OA>
    . . .
    <OA name="attributeName1">attributeValue1</OTA>
    <OA name="attributeName2">attributeValue2</OA>
    . . .
  </MO>
</BULKACTION>
```

The result XML string may look like this:

```
<OPERATIONRESULTS>
  <RESULTUNIT>
    <BULKACTIONRESULTS>
      <PATH name="FullyDistinguishedName1">
        <OBJECTATTRIBUTE attributeName> attributeValue</OBJECTATTRIBUTE >
        . . .
      </PATH>
      <PATH name="FullyDistinguishedName2">
        <OBJECTATTRIBUTE attributeName> attributeValue</OBJECTATTRIBUTE >
      </PATH>
      . . .
    </BULKACTIONRESULTS>
  </RESULTUNIT>
</OPERATIONRESULTS>
```

Examples

The following example downloads SCC software to two destinations.

```
<BULKACTION><ACTIONNAME>SoftwareDownloadAction</ACTIONNAME>
  <MO identity="CMGMMGX8260">
    <OA name="PATH">cmgm:CMGM_Site_default/172.16.38.201</OA>
    <OA name="PATH">cmgm:CMGM_Site_default/172.16.38.111</OA>
    <OA name="cmgmCtrlr:cmgmCtrlr-MIB.SoftwareDownloadSourceFile">
      /mgx/scc/sw/SCC_R01.02.03</OA>
    <OA name="cmgmCtrlr:cmgmCtrlr-MIB.SoftwareDownloadDestFile">/SCC_R01.02.03.fw</OA>
  </MO>
</BULKACTION>
```

```
<BULKACTION><ACTIONNAME>SoftwareDownloadAction</ACTIONNAME>
  <MO identity="CMGMMGX8260">
    <OA name="PATH">cmgm:CMGM_Site_default/172.16.38.201</OA>
    <OA name="PATH">cmgm:CMGM_Site_default/172.16.38.111</OA>
    <OA name="cmgmCtrlr:cmgmCtrlr-MIB.SoftwareDownloadSourceFile">
      /mgx/scc/sw/SCC_R01.02.03</OA>
    <OA name="cmgmCtrlr:cmgmCtrlr-MIB.SoftwareDownloadDestFile">/SCC_R01.02.03.fw</OA>
  </MO>
</BULKACTION>
```

BULKGET Request Operation

This operation gets attributes from multiple Cisco MGX 8260 Media Gateway objects.

```
<BULKGETREQUEST>
  <MO identity="cmgm:CMGM_Site_default/172.16.38.201">
    <OA name=attributeName1></OA>
    <OA name=attributeName2></OA>
    ...
  </MO>
  <MO identity="cmgm:CMGM_Site_default/172.16.38.111">
    <OA name=attributeName3></OA>
    ...
  </MO>
  ...
</BULKGETREQUEST>
```

Syntax Description

The BULKGETREQUEST operation can read attributes from multiple Cisco MGX 8260 Media Gateways. The request XML string has sections for each chassis, each of which contain a list of attribute names for which attribute values are required. The syntax shows how to use the <MO> and <OA> tags for this type of request.

Usage Guidelines

To use the BULKGETREQUEST operation, build an XML file with a list of chassis, attributes and values to retrieve. The following example shows the results of a BULDGETREQUEST argument:

```
<OPERATIONRESULTS>
  <RESULTUNIT>
    <BULKGETRESULTS>
      <MO identity="cmgm:CMGM_Site_default/172.16.38.201">
        <OA name="SNMP:SYSTEM-SCALARS-MIB.systemNodeName">bimini</OA>
        <OA name="SNMP:SYSTEM-SCALARS-MIB.systemNodeType">0</OA>
      </MO>
      <MO identity="cmgm:CMGM_Site_default/172.16.38.111">
        <OA name="SNMP:SYSTEM-SCALARS-MIB.systemNodeName">oahu</OA>
      </MO>
    </BULKGETRESULTS>
  </RESULTUNIT>
</OPERATIONRESULTS>
```

Examples

The following example shows how to get system scalars from two identities.

```
<BULKGETREQUEST>
  <MO identity="cmgm:/172.16.38.111">
    <OA name="SNMP:SYSTEM-SCALARS-MIB.systemNodeName"></OA>
    <OA name="SNMP:SYSTEM-SCALARS-MIB.systemNodeType"></OA>
  </MO>
  <MO identity="cmgm:/172.17.38.201">
    <OA name="SNMP:SYSTEM-SCALARS-MIB.systemNodeName"></OA>
  </MO>
</BULKGETREQUEST>
```

The following example shows how to get DS1 attributes from two identities.

```
<BULKGETREQUEST>
  <MO identity="cmgm:/172.16.38.111/NSC_Slot_2/DS1_Line_3">
    <OA name="SNMP:Cmgmmodule.rFC1406-MIB_dsx1LineType1"></OA>
    <OA name="SNMP:Cmgmmodule.rFC1406-MIB_dsx1IfIndex1"></OA>
    <OA name="SNMP:Cmgmmodule.rFC1406-MIB_dsx1BertDs0s1"></OA>
    <OA name="SNMP:Cmgmmodule.rFC1406-MIB_dsx1ValidIntervals1"></OA><OA
  </MO>
  <MO identity="cmgm:/172.17.38.111/NSC_Slot_2/DS1_Line_4">
    <OA name="SNMP:Cmgmmodule.rFC1406-MIB_dsx1IfIndex1"></OA>
  </MO>
</BULKGETREQUEST>
```

BULKSET Request Operation

This operation sets attributes in multiple Cisco MGX 8260 Media Gateway objects.

```
<BULKSETREQUEST>
  <MO identity="cmgm:CMGM_Site_default/172.16.38.201">
    <OA name=attributeName1>attributeValue1</OA>
    <OA name=attributeName2>attributeValue2</OA>
    ...
  </MO>
  <MO identity="cmgm:CMGM_Site_default/172.16.38.111">
    <OA name=attributeName3>attributeValue3</OA>
    ...
  </MO>
  ...
</BULKSETREQUEST>
```

Syntax Description

The BULKSETREQUEST operation can read attributes from multiple Cisco MGX 8260 Media Gateways. The request XML string has sections for each chassis, each of which contain a list of attribute names for which attribute values are required. The syntax shows how to use the <MO> and <OA> tags for this type of request.

Usage Guidelines

To use the BULKSETREQUEST operation, build an XML file with a list of chassis, attributes, and values to retrieve. The following example shows the results of a BULDSETREQUEST operation:

```
<OPERATIONRESULTS>
  <RESULTUNIT>
    <BULKSETRESULTS>
      <MO identity="cmgm:CMGM_Site_default/172.16.38.201">
        <OA name="SNMP:SYSTEM-SCALARS-MIB.systemNodeName">bimini</OA>
        <OA name="SNMP:SYSTEM-SCALARS-MIB.systemNodeType">0</OA>
      </MO>
      <MO identity="cmgm:CMGM_Site_default/172.16.38.111">
        <OA name="SNMP:SYSTEM-SCALARS-MIB.systemNodeName">oahu</OA>
      </MO>
    </BULKSETRESULTS>
  </RESULTUNIT>
</OPERATIONRESULTS>
```

Examples

The following example sets the system node name for two identities.

```
<BULKSETREQUEST>
  <MO identity="cmgm:/172.17.38.201">
    <OA name="SNMP:SYSTEM-SCALARS-MIB.systemNodeName">bimini</OA>
  </MO>
  ><MO identity="cmgm:/172.17.38.111">
    <OA name="SNMP:SYSTEM-SCALARS-MIB.systemNodeName">oahu</OA>
  </MO>
</BULKSETREQUEST>
```

Cisco Voice CORBA Gateway Query

The QUERY operation discovers objects in the root path that match the query criteria. The root path is the containment path to search; the query criteria are keywords that identify subchassis objects. This operation facilitates discovering the containment path for all objects of a specific type.

QUERY Operation

This operation searches a root path for child classes.

```
<QUERY>
  <ROOTPATH> cmgm: /</ROOTPATH>
  <CHILDCLASS>identity1</CHILDCLASS>
  <CHILDCLASS>identity2</CHILDCLASS>
  . . .
</QUERY>
```

Syntax Description

The XML input specifies the ROOTPATH in the EMS object tree whose children are to be searched for the matching CLASSNAME.

Usage Guidelines

To query for managed objects, construct an XML string with a list of the identities to discover. Query all sites by specifying EM: as the target. Cisco Voice CORBA Gateway discovers and returns the full path to the discovered objects. The root path of EM: searches for all objects that match the specified identity.

The results of a query return the containment path for each child class found. The following example shows the results of a QUERY for BSC cards:

```
<OPERATIONRESULTS>
  <RESULTUNIT>
    <QUERYRESULTS>
      <PATH>cmgm: /CMGM_Site_Saratoga/172.16.38.111/BSC_Slot_15</PATH>
      <PATH>cmgm: /CMGM_Site_Saratoga/172.16.38.111/BSC_Slot_11</PATH>
      <PATH>cmgm: /CMGM_Site_Saratoga/172.16.38.111/BSC_Slot_16</PATH>
      <PATH>cmgm: /CMGM_Site_Saratoga/172.16.38.111/BSC_Slot_12</PATH>
      <PATH>cmgm: /CMGM_Site_Saratoga/172.16.38.111/BSC_Slot_13</PATH>
      <PATH>cmgm: /CMGM_Site_Saratoga/172.16.38.111/BSC_Slot_14</PATH>
    </QUERYRESULTS>
  </RESULTUNIT>
</OPERATIONRESULTS>
```

Examples

The following example queries for BSC cards.

```
<QUERY><ROOTPATH>cmgm: /</ROOTPATH>
  <CHILDCLASS>CMGMBSC</CHILDCLASS>
</QUERY>
```

Cisco Voice CORBA Gateway Upload

The UPLOAD discovers object information according to filter criteria and transfers the results to a FTP host.

UPLOAD Operation

This operation discovers information about objects and FTP them to a host computer.

```
<UPLOADREQUEST>
  <USERNAME>hostUsername</USERNAME>
  <PASSWORD>hostPassword</PASSWORD>
  <FTPPFILENAME>destinationFile</FTPPFILENAME>
  <FTPHOSTNAME>hostName</FTPHOSTNAME>
  <CLASSFILTER>
    <MO identity="CMGMMGX8260">
      <OA name= attributeName1></OA>
      <OA name= attributeName2></OA>
      <TB name=tablename1>
        <ROW>
          <TA name=tablecolumnName1></TA>
          <TA name=tablecolumnName2></TA>
        </ROW>
      </TB>
    ...
  </MO>
  <MO identity="CMGMBSC">
    <OA name= attributeName3 ></OA>
    <OA name= attributeName4></OA>
    ...
  </MO>
  ...
</CLASSFILTER>
</UPLOADREQUEST>
```

Syntax Description

Query all sites by specifying EM: as the target, or narrow the upload to specific chassis objects.

(1) Example I of the UPLOAD results.

```
<INVENTORYUPLOAD>
  <MO identity = "MGX8260">
    <PATH>cmgm:/</PATH>
    <OID> OpaqueID</OID>
    <OA name=" systemNodeName"> SJ-15</OA>
    <OA name="sysNodeNum">4 </OA>
    <OA name="systemBkPlaneSerialNum"> 3456789 </OA>
  </MO>
  <MO identity="CMGMBSC">
    <PATH>cmgm:/</PATH>
    <OID> OpaqueID </OID>
    <OA name=" logicalCardStatus"> 5</OA>
    <OA name=" logicalCardFrontCardType"> 3</OA>
    <OA name=" logicalCardServices"> 2 </OA>
  </MO>
</INVENTORYUPLOAD>
```

(1) Example II of the UPLOAD results with table attributes for MGX8850.

```

<InventoryUpload>
  <MO identity="CMGMVMGX8850PXM45">
    <PATH>
      Physical:/CMGM_Site_SJ20_1/192.168.118.129
    </PATH>
    <OID>
      257:4114
    </OID>
    <OA name ="contObjPath">Physical:/CMGM_Site_SJ20_1/192.168.118.129</OA>
    <OA name ="contObjName">192.168.118.129</OA>
    <OA name ="SNMPv2-MIB.sysUpTime">225153759</OA>
    <OA name ="SNMPv2-MIB.sysObjectID">1.3.6.1.4.1.9.1.228</OA>
    <OA name ="SNMPv2-MIB.sysDescr">Cisco MGX8850 Wide Area Switch</OA>
    <TB name ="Cmgmvmodule.cMGMVPop2ChassisSmRedMapTable">
    <ROW>
    <TA name ="BASIS-SHELF-MIB.redPrimarySlotNum">7</TA>
    <TA name ="BASIS-SHELF-MIB.redRowStatus">1</TA>
    <TA name ="BASIS-SHELF-MIB.redPrimaryType">No_Value</TA>
    <TA name ="BASIS-SHELF-MIB.redPrimaryState">3</TA>
    <TA name ="BASIS-SHELF-MIB.redSecondarySlotNum">8</TA>
      <TA name ="BASIS-SHELF-MIB.redSecondaryType">No_Value</TA>
      <TA name ="BASIS-SHELF-MIB.redSecondaryState">1</TA>
      <TA name ="BASIS-SHELF-MIB.redType">1</TA>
    <TA name ="BASIS-SHELF-MIB.redCoveringSlot">0</TA>
    <TA name ="BASIS-SHELF-MIB.redFeature">No_Value</TA>
    <TA name ="BASIS-SHELF-MIB.redLineModuleType">No_Value</TA>
    </ROW>
    </TB>
    <OA name ="AMAF-MGMT-MIB.ipaddress">192.168.118.129</OA>
  </MO>
  ...
</InventoryUpload>

```

Examples

The following example uploads information according to a class filter.

```

<UPLOADREQUEST>
  <USERNAME>root</USERNAME>
  <PASSWORD>lab</PASSWORD>
  <FTPFILENAME>/tmp/destination</FTPFILENAME>
  <FTPHOSTNAME>sp-u60-1</FTPHOSTNAME>
  <CLASSFILTER>
    <MO identity="CMGMMGX8260">
      <OA name="SNMP:SYSTEM-SCALARS-MIB.systemDate"></OA>
      <OA name="SNMP:SYSTEM-SCALARS-MIB.systemDs1Type"></OA>
      <OA name="SNMP:SYSTEM-SCALARS-MIB.systemNodeName"></OA>
      <OA name="SNMP:SYSTEM-SCALARS-MIB.systemNodeNum"></OA>
      <OA name="SNMP:SYSTEM-SCALARS-MIB.systemNodeType"></OA>
    </MO>
    <MO identity="CMGMBSC">
      <OA name="SNMP:Cmgmmodule.cCOMMON-SLOT-MIB_logicalCardFwRev1"></OA>
      <OA name="SNMP:Cmgmmodule.cCOMMON-SLOT-MIB_logicalCardHwRev1"></OA>
      <OA name="SNMP:Cmgmmodule.cCOMMON-SLOT-MIB_logicalCardStatus1"></OA>
      <OA name="SNMP:Cmgmmodule.cCOMMON-SLOT-MIB_logicalCardPhysicalSlotNum1"></OA>
    </MO>
    <MO identity="CMGMSCC">
      <OA name="SNMP:Cmgmmodule.cCOMMON-SLOT-MIB_logicalCardFwRev1"></OA>
      <OA name="SNMP:Cmgmmodule.cCOMMON-SLOT-MIB_logicalCardHwRev1"></OA>
      <OA name="SNMP:Cmgmmodule.cCOMMON-SLOT-MIB_logicalCardStatus1"></OA>
      <OA name="SNMP:Cmgmmodule.cCOMMON-SLOT-MIB_logicalCardPhysicalSlotNum1"></OA>
    </MO>
    <MO identity="CMGMDS1">
      <OA name="LocalDB:RFC1406-MIB.dsx1LineIndex"></OA>
      <OA name="SNMP:Cmgmmodule.rFC1406-MIB_dsx1IfIndex1"></OA>
      <OA name="SNMP:Cmgmmodule.rFC1406-MIB_dsx1LineType1"></OA>
      <OA name="SNMP:Cmgmmodule.rFC1406-MIB_dsx1LineCoding1"></OA>
      <OA name="SNMP:Cmgmmodule.rFC1406-MIB_dsx1CircuitIdentifier1"></OA>
    </MO>
    <MO identity="CMGMDS3">
      <OA name="LocalDB:RFC1406-MIB.dsx3LineIndex"></OA>
      <OA name="SNMP:Cmgmmodule.rFC1406-MIB_dsx3IfIndex1"></OA>
      <OA name="SNMP:Cmgmmodule.rFC1406-MIB_dsx3LineType1"></OA>
    </MO>
  </CLASSFILTER>
</UPLOADREQUEST>

```




Subscribing for Cisco Voice CORBA Gateway Events

Cisco Voice CORBA Gateway sends asynchronous events to subscribed Network Management (NM) layer applications as CORBA Notifications via CORBA Notification Service. Orbix Notification Service provided by Iona Technologies is used as CORBA Notification Service.

Orbix Notification Service provides the consumer applications (notification receivers, in this case, NM layer applications) an interface to filter the notifications based on the notification content.

Cisco Voice CORBA Gateway sends the following types of events:

1. Object events (Inventory events)
2. Alarm events

Two channels are created in Orbix Notification service, Object Event Channel for inventory events and Alarm Event Channel for alarm events. NM layer applications will subscribe for notifications on these channels with Orbix Notification Service.

Cisco Voice CORBA Gateway uses Containment path (Full Distinguished Name – FDN) as the object identifier, so NM applications do not need to have knowledge of EM specific Object Identifiers to identify the managed objects.

Object Events

Three types of Object events are sent by Cisco Voice CORBA Gateway.

- Object-Create Event: Generated when an EMS object is created in the EMS object tree
- Object-Delete Event: Generated when an EMS object is deleted from EMS object tree
- AttributeValue-Change Event: Generated when there is a change in the attribute(s) of an EMS object.

Cisco Voice CORBA Gateway creates a channel in the Orbix Notification Service with the name “**cisco.mcg.eventChannel.ObjectEventChannel-Channel**” for sending Object Events.

Format of CORBA notifications for object events is shown in the following figure. Remaining body field is present only in case of AttributeValue-Change events.

Table 5-1 CORBA Notifications for Object Events

domain_type (=MCG)		Fixed Header
event_type (=GenericObjectEvent)		
event_name (=no value)		
CLASS	Value	Filterable body fields
PATH	Value	
PARENT	Value	
OID	Value	
EVENTTYPE	Value	
TIMESTAMP	Value	
Attribute 1	Value	Remaining body
Attribute 2	Value	
Attribute n	Value	

Fixed Header:

- Domain_type – Indicates the domain type of the event and is always set to MCG
- Event_type – Specifies the type of event and for Object Events, it is always set to GenericObjectEvent
- Event_name – No value set

Filterable body fields:

- CLASS – EMS Class name of the object responsible for the event
- PATH – The containment path of the object (Fully Distinguished Name) responsible for the event
- PARENT - The containment path of the parent object
- OID – Object Identifier in hexa-decimal format (CEMF specific format)
- EVENTTYPE – Type of Object Event (Object-Create or Object-Delete or AttributeValue-Change)
- TIMESTAMP – Time stamp when the event is generated

Remaining body:

- Attribute (1...n) – List of attributes and their values that are changed.

Alarm Events

Three types of Alarm events are sent by Cisco Voice CORBA Gateway.

- Alarm-Create Event: Generated when an Alarm is created
- Alarm-Delete Event: Generated when an Alarm is deleted
- Alarm-Change Event: Generated when there is a change in the Alarm state.

Cisco Voice CORBA Gateway creates a channel in the Orbix Notification Service with the name “cisco.mcg.eventChannel.AlarmEventChannel-Channel” for sending Alarm Events.

Format of CORBA notifications for alarm events is shown in the following figure.

Table 5-2 CORBA Notifications for Alarm Events

domain_type (=MCG)		Fixed Header
event_type (=AlarmEvent)		
event_name (=no value)		
CLASS	Value	Filterable body fields
PATH	Value	
OID	Value	
TIMESTAMP	Value	
EVENTTYPE	Value	
STATUSINFO	Value	
ACKSTATUSINFO	Value	
SEQUENCNUMBER	Value	
SEVERITY	Value	
PROBABLECAUSE	Value	
ADDITIONALINFO	Value	
SPECIFICPROBLEM	Value	

Fixed Header:

- Domain_type – Indicates the domain type of the event and is always set to MCG
- Event_type – Specifies the type of event and for Object Events, it is always set to AlarmEvent
- Event_name – No value set

Filterable body fields:

- CLASS – EMS Class name of the object responsible for the event
- PATH – The containment path of the object (Fully Distinguished Name) responsible for the event
- OID – Object Identifier in hexa-decimal format (CEMF specific format)
- TIMESTAMP – Time stamp when the event is generated
- EVENTTYPE – Type of Object Event (Alarm-Creation or Alarm- Deletion or Alarm-Change)
- STATUSINFO – Status of the alarm

- ACKSTATUSINFO – Acknowledgement status
- SEQUENCENUMBER – Sequence number of the alarm
- SEVERITY – Severity of the alarm
- PROBABLECAUSE – Probable cause of the alarm
- ADDITIONAL INFO – Additional information regarding the alarm

Writing an Event Consumer Application

Writing a consumer application requires the Notification Service libraries and IDL files. Cisco Voice CORBA Gateway supports push consumers. The consumer for Cisco Voice CORBA Gateway's event channels is same as writing any other consumer applications.

The following steps are involved in writing a consumer application:

- Initialize the ORB

```
orb = CORBA::ORB_init(argc, argv);
CORBA::Object_var obj = orb->resolve_initial_references("RootPOA");
root_poa = PortableServer::POA::_narrow(obj);
poa_manager = root_poa->the_POAManager();
poa_manager->activate();
```

- Get the reference to the required channel in the notification service

Reference to the Alarm Event Channel is created in this example and is based on reading the IOR of the channel from a file. Instead, naming service can be used to achieve the same purpose.

```
CosNotifyChannelAdmin::EventChannel_var
get_event_channel(CORBA::ORB_ptr orb, CORBA::ULong channel_num)
{
    CosNotifyChannelAdmin::EventChannel_var ec;
    CosNotifyChannelAdmin::ChannelID id;
    CosNotification::AdminProperties init_admin(0);

    CosNotification::QoSProperties prop(3);
    prop.length(3);

    prop[0].name =
        CORBA::string_dup(CosNotification::EventReliability);
    prop[0].value <=< (CORBA::Short)CosNotification::BestEffort;
    prop[1].name =
        CORBA::string_dup(CosNotification::ConnectionReliability);
    prop[1].value <=< (CORBA::Short)CosNotification::BestEffort;

    prop[2].name = CORBA::string_dup("MaxRetries");
    prop[2].value <=< (CORBA::ULong)3;

    try
    {
        ifstream is("/AlarmEventChannel.ref");
        char ior_ref[5000];

        if(is.good()) {
            is >> ior_ref;
        } else {
            cout << "Error opening AlarmEventChannel IOR!" << endl;
            exit(-1);
        }
        ec = CosNotifyChannelAdmin::EventChannel::_narrow(
            orb->string_to_object(ior_ref));
    } catch (CORBA::SystemException& se) {
        cerr << "System exception occurred while creating channel: "
            << se << endl;
        exit(1);
    }
    return ec._retn();
}
```

- Connect the consumer to the channel

There is only one channel in the current example. `NotifyPushConsumer_i` is the class that is implementing the method for processing the events.

```
void connect_event_consumers(
    CosNotifyChannelAdmin::EventChannel_ptr channel,
    CORBA::ULong num_channel)
{
    CosNotifyChannelAdmin::ConsumerAdmin_var ca =
        channel->default_consumer_admin();
    assert(!CORBA::is_nil(ca));
    consumers[num_channel] = new NotifyPushConsumer_i[num_consumers];

    for (CORBA::ULong i = 0; i < num_consumers; i++) {
        consumers[num_channel][i].my_POA(root_poa);
        consumers[num_channel][i].myid(
            root_poa->activate_object(&consumers[num_channel][i]));

        CosNotifyChannelAdmin::ProxyID proxy_id;
        CosNotifyChannelAdmin::ClientType ctype =
            CosNotifyChannelAdmin::SEQUENCE_EVENT;

        CosNotifyChannelAdmin::ProxySupplier_var obj =
            ca->obtain_notification_push_supplier(ctype, proxy_id);

        CosNotifyChannelAdmin::SequenceProxyPushSupplier_ptr pps =
            CosNotifyChannelAdmin::SequenceProxyPushSupplier::_narrow(obj);

        // Set PacingInterval and MaxBatchSize QoS on the proxy
        CosNotification::QoSProperties prop(2);
        prop.length(2);

        IT_Duration pi_tmp(1000000, 0); // wait a long time
        TimeBase::TimeT pacing_interval = pi_tmp.m_ticks;
        prop[0].name = CORBA::string_dup(
            CosNotification::PacingInterval );
        prop[0].value <=<= pacing_interval;

        prop[1].name = CORBA::string_dup(
            CosNotification::MaximumBatchSize );
        prop[1].value <=<= CORBA::Long( num_events );

        pps->set_qos( prop );

        consumers[num_channel][i].connect(pps);

        CosNotification::EventTypeSeq *eventTypel=0;
        eventTypel = pps->obtain_offered_types(
            (CosNotifyChannelAdmin::ObtainInfoMode) 1);
        cout <<"\nto get the event types offered by "
            << "ObjectEventChannel \n" <<endl;

        CORBA::ULong leng=eventTypel->length();
        cout << "the length of event types is " <<leng <<endl;

        for (int k=0; k <leng; k++ ) {
            cout << "Domain name = "<<
                (*eventTypel)[k].domain_name<<endl;
            cout << "Type name = "<< (*eventTypel)[k].type_name<< endl;
        }
        CORBA::release(pps);
    }
}
```

- Implement the push consumer class that receives the events

The class that implements the method for receiving the events has to inherit from POA_CosNotifyComm::SequencePushConsumer class. And should override the push_structured_events() method and implement the business logic of the application that processes the event.

```

void
NotifyPushConsumer_i::push_structured_events(
    const CosNotification::EventBatch& events
)
{
    IT_THROW_DECL((CORBA::SystemException))

    // Accept the incoming structured event and
    // process it.
    //
    cout << endl << "Received Event " << endl;

    bool rembody=FALSE;
    MCG::ObjectAttributes* data;

    char *event_type = 0;
    char *domain_name =0;
    char *event_name =0;
    int variableLength=0;
    int filterableLength=0;

    //cout<< "\n consumer: Received Event Batch # " << m_count++<<
    endl;

    for (int i = 0; i < events.length(); i++)
    {
        domain_name =
CORBA::string_dup(events[i].header.fixed_header.event_type.domain_name)
;
        event_type =
CORBA::string_dup(events[i].header.fixed_header.event_type.type_name);
        event_name =
CORBA::string_dup(events[i].header.fixed_header.event_name);

        cout << "\nFIXED HEADER" <<endl;
        cout << "Domain_Type: " <<domain_name <<endl;
        cout <<"Event_Type: " <<event_type <<endl;
        cout <<"Event_Name: " <<event_name <<endl;

        if (strstr(event_type, "LOSTCONNECTION")) {
            cout <<"The server is down, so the consumer exits.\n"
<<endl;
            exit(1);
        }
        variableLength = events[i].header.variable_header.length();

        cout << "\nVARIABLE HEADER" <<endl;
        cout <<"Variable header length is " <<variableLength <<endl;

        filterableLength = events[i].filterable_data.length();

        cout <<"\nFILTERABLE BODY FIELDS"<<endl;
        cout <<"Filterable body length is " <<filterableLength <<endl;

        for (int k=0; k<filterableLength; k++ )
        {
            char * cvalue;
            events[i].filterable_data[k].value >>= cvalue;

```

```

        cout << "Filterable Fields:" <<k<<": "
            <<events[i].filterable_data[k].name << " = " << cvalue
<<endl;

        // Remainder of the body is only applicable to
        // AttributeValue change events only
        if (!strcasecmp(cvalue, "AttributeValue-Change"))
        {
            events[i].remainder_of_body >>= data;
            rembody =TRUE;
        }
    }
    if (rembody)
    {
        int len = data->attrs.length();
        cout << "\nREMAINING BODY: with len= " << len << endl;

        for( int i=0; i < len; i++)
        {
            cout << "Attr-" << i << "-Name: "
                << data->attrs[i].name
                << " Value: "
                << data->attrs[i].value <<endl;
        }
    }
    totalEvents += events.length();
    cout <<" Total events = " << totalEvents << endl;
}

```

- Wait for the events

The consumer application can start waiting for the events by executing **orb->run() in the main** method. The events are asynchronously pushed to the consumer.

Example programs for the consumer application are shipped with the VCG package and are available under <VCG_INSTALL_DIR>/src directory.

The IORs of the two channels are also available in the files for convenience in the root directory of the server machine.

/AlarmEventChannel.ref – Contains IOR of Alarm Event Channel

/ObjectEventChannel.ref – Contains IOR of Object Event Channel



Cisco Media Gateway Manager

The Cisco EMF Action Interface issued as flow-through interface for the Cisco Media Gateway Manager 3.0/3.0.1 to enable Northbound applications (e.g., PTC) to provision the Cisco Gateway resources by integrating with a client application. Examples of these types of resources include RUDP Session and MGCPControllerPath.

The Cisco EMF graphical user interface (GUI) does not currently provide a user interface for the Cisco Media Gateway Manager 3.0/3.0.1 actions. In order to execute the Cisco Media Gateway Manager 3.0/3.0.1 actions described in the [“Action Interface” section on page 6-6](#) the Northbound interface application, Cisco Voice CORBA Gateway, must be utilized.

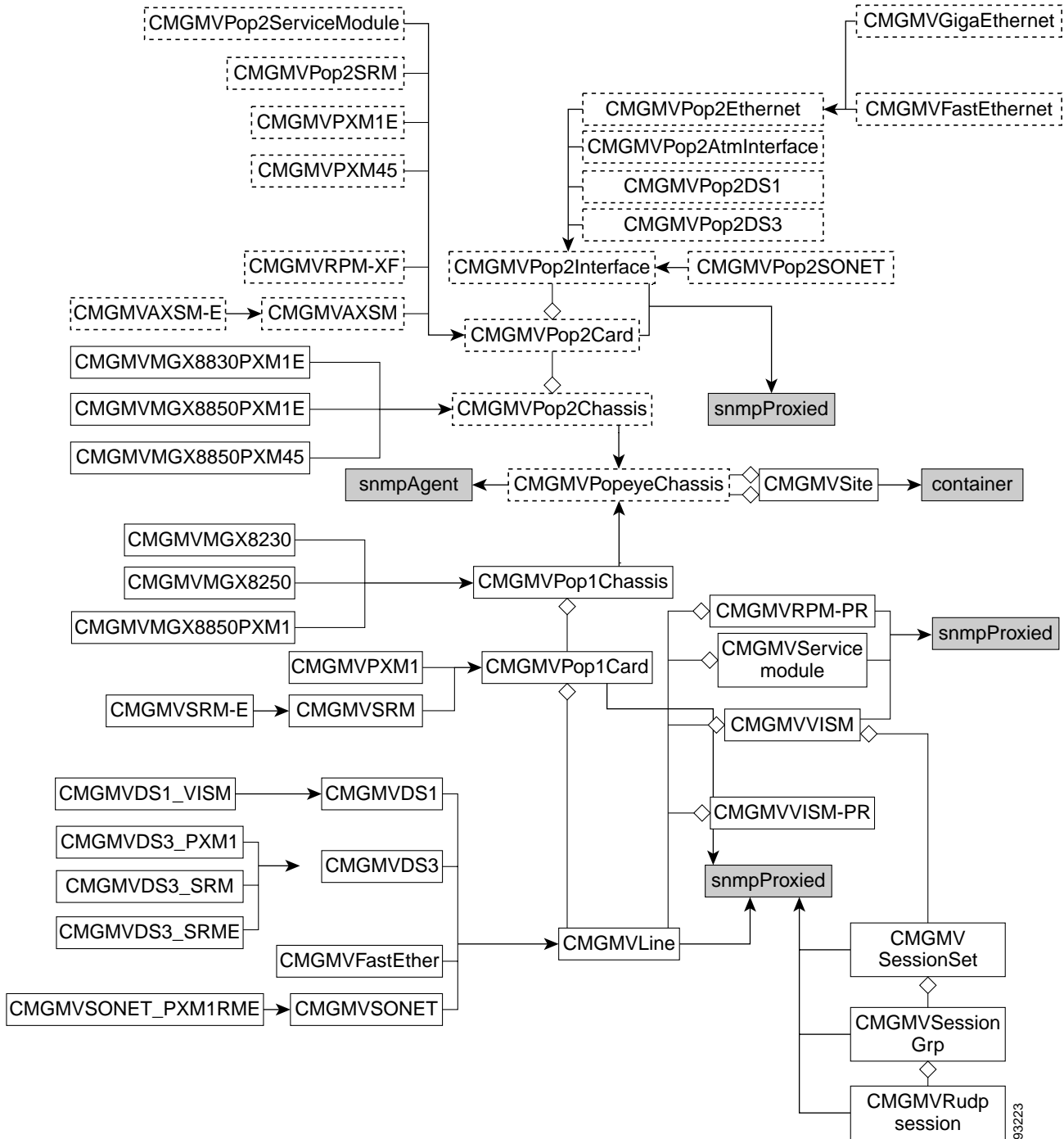
The intent of this chapter is to describe the following as implemented by the Cisco Media Gateway Manager 3.0/3.0.1:

- [Object Model, page 6-2](#)
- [Action Interface, page 6-6](#)
- [Trap Handling, page 6-35](#)

Object Model

The following figure depicts the Cisco Media Gateway Manager 3.0/3.0.1 object model.

Figure 6-1 Cisco Media Gateway Manager 3.0/3.0.1 Object Model



93223

Note 1: CMGMVPop1AtmInterface will be supported in the data model but not in sub-chassis syncup and trap handling in Cisco Media Gateway Manager 3.0/3.0.1.

Note 2: Some of base classes containment relationships shown in Figure 6-1 are not inherited by the derived classes¹:

- PXM1E based chassis can contain only VISM-PR cards.
- PXM1E on MGX8830 cannot contain RPM-XF cards.
- PXM45 chassis cannot contain VISM cards.
- valid combinations of MGX R2/R3 cards and Pop2Interfaces:
 - all cards: internal AtmInterfaces.
 - AXSM/AXSM-E: MGX R2/R3 Sonet lines.
 - PXM1E: MGX R2/R3 Sonet lines.
 - RPM-XF: MGX R2/R3 Ethernet lines or Sonet (POS) lines.
 - PXM45: no physical interfaces.

1. The list is only valid classes introduced or supported in Cisco Media Gateway Manager 3.0/3.0.1. See Cisco Media Gateway Manager 2.0 DS for Cisco Media Gateway Manager 2.0 classes.

The following figures provide the containment and cardinality views for the PXM45 and PXM1E–based MGX8850 and MGX8830 devices.

Figure 6-2 PXM45–based MGX8850 Object Model of Cisco Media Gateway Manager 3.0/3.0.1

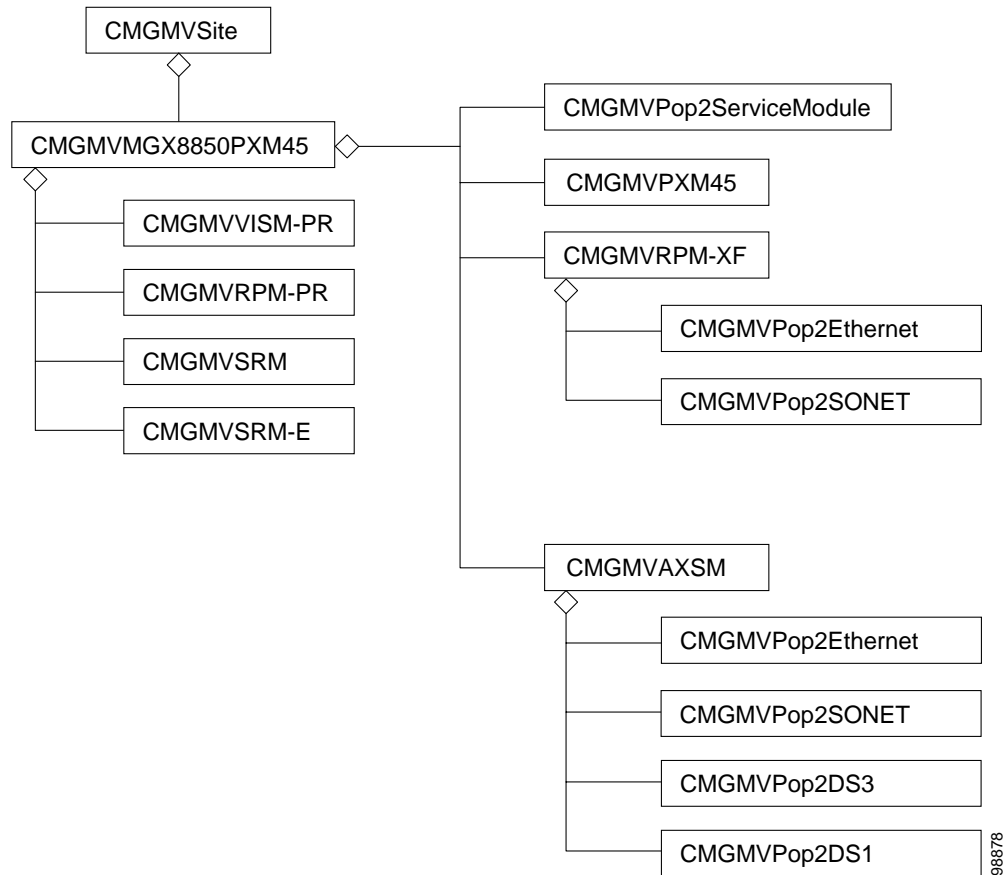


Figure 6-3 PXM1E–based MGX8830 Object Model of Cisco Media Gateway Manager 3.0/3.0.1

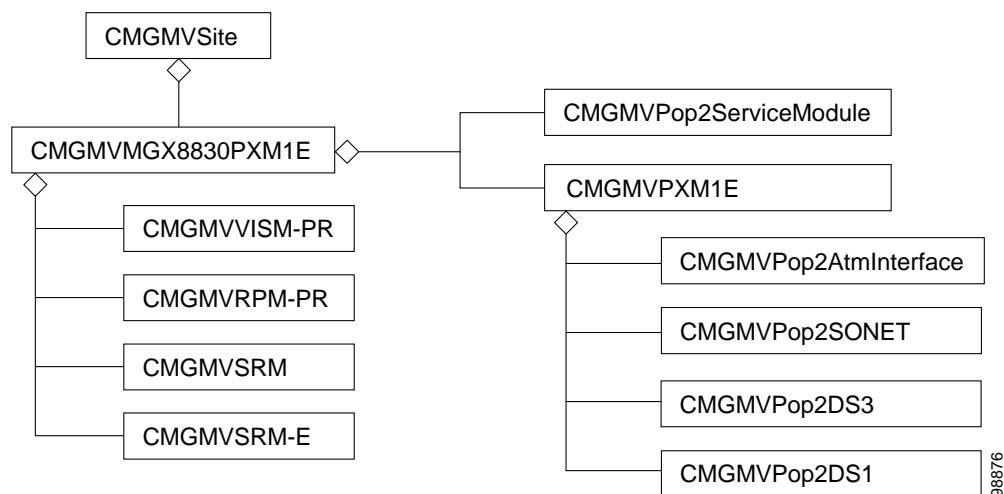
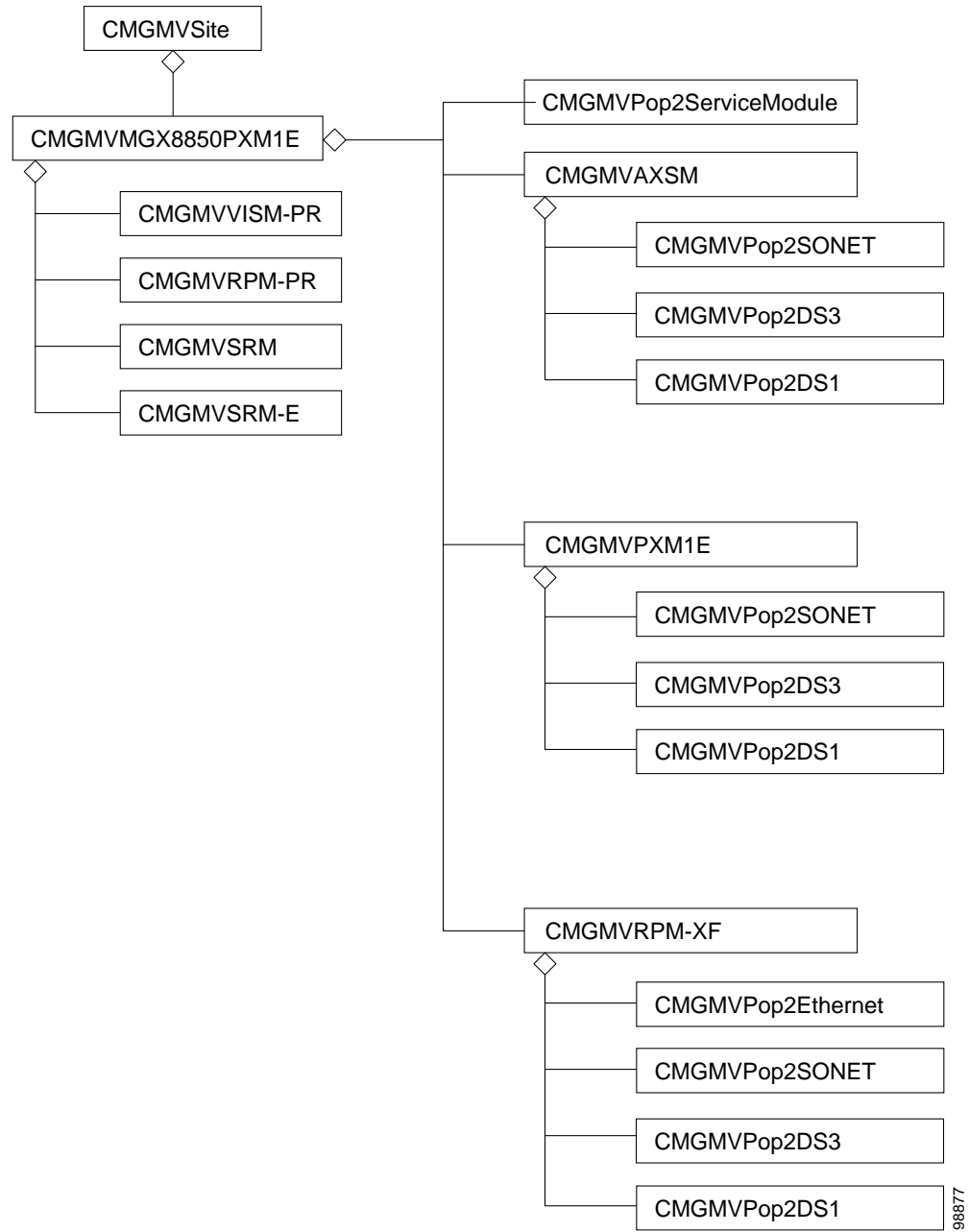


Figure 6-4 PXM1E-based MGX8850 Object Model of Cisco Media Gateway Manager 3.0/3.0.1



Action Interface

The following table lists the actions that are supported in Cisco MGM release 3.0 to create, modify, and delete resources on the Cisco voice gateway devices. Each action interface is explained in detail later in the section.

Table 6-1 Cisco MGM Action Support

Action Name	Description
AddSessionSet	Adds a session set
DeleteSessionSet	Deletes the session set
AddSessionGroup	Adds session group
DeleteSessionGroup	Deletes the session group
AddRUDPSession	Adds RUDP Session
ModifyRUDPSession	Modify the parameters of RUDP Session
DeleteRUDPSession	Deletes the RUDP session
AddDomainName	Configures mgName, domain name and vism ip address
AddDomainNameIP	Adds a domain name and its IP address information for resolution
AddMGCPControlPath	Configures the MGCP control path between MG and Call Agent
ModifyMGCPControlPath	Modify the parameters of MGCP control path between MG and Call Agent
DeleteDomainName	Deletes the domain name
DeleteDomainNameIP	Deletes the domain name and IP address information form VISM
DeleteMGCPControlPath	Deletes the MGCP control path between MG and Call Agent
AddDChannel	Adds a D-Channel
ModifyDChannel	Modify the parameters of D-Channel
DeleteDChannel	Deletes the D-Channel
AddVismTonePlan	Adds a VISM Tone plan
DeleteVismTonePlan	Deletes a VISM tone plan
AddCASVariant	Adds a CAS Variant
ModifyCASVariant	Modifies a CAS Variant
DeleteCASVariant	Deletes CAS Variant
AddDS1Line	Adds and configures a DS1 Line
ModifyDS1Line	Modifies DS1 Line parameters
DeleteDS1Line	Deletes a DS1 Line
AddEndPoints	Adds the end points
ModifyEndPoints	Modifies endpoints
DeleteEndPoints	Deletes the End points
VismInitialConfig	Mandatory initial VISM configuration
AddPVC	Configure slave/master connection on VISM

Interface Design

Error handling and Rollback strategy

Since some of these actions issue multiple SNMP sets, atomicity needs to be ensured. This is taken care by rollback strategy. The Cisco MGM Action would first issue a SNMP Get and store the current values on the managed device for the SNMP attributes supplied to that action. At first occurrence of the error, action does the SNMP walk on the error table on the managed device to get the proper error string. Then it tries to rollback the supplied SNMP MIB attributes with the original values gotten through SNMP Get. There will be just one time rollback effort from Cisco MGM Action.

Result string

There is no rigid structure for the results string. To indicate success or failure, the result string will contain:

- Failure—“Error: Action Failed”
- Success—“Success: Action executed successfully”

In case of failure, the error message got from the errStatusTable will also be annotated.

Actions

AddSessionSet

The following table describes the attribute(s) associated with the AddSessionSet action.

Table 6-2 AddSessionSet Attributes

CLI	MIB Attribute(s)	Mandatory/Optional	Value Type
addsessionset	SNMP:VISM-SESSION-MIB.vismSessionSetNum	Mandatory	Integer
	SNMP:VISM-SESSION-MIB.vismSessionSetFaultTolerant	Mandatory	Integer

Example:

```
BULKACTION
cmgm:/CMGM_Site_default/172.18.101.80/VISM_PR_Slot_11
<BULKACTION><ACTIONNAME>AddSessionSetAction</ACTIONNAME><MO
identity="CMGMVVISM"><OA
name="PATH">cmgm:/CMGM_Site_default/172.18.101.80/VISM_PR_Slot_11</OA><OA
name="SNMP:VISM-SESSION-MIB.vismSessionSetNum">1</OA><OA
name="SNMP:VISM-SESSION-MIB.vismSessionSetFaultTolerant">1</OA></MO></BULKACTION>
```

DeleteSessionSet

The following table describes the attribute(s) associated with the DeleteSessionSet action.

Table 6-3 DeleteSessionSet Attributes

CLI	MIB Attribute(s)	Mandatory/Optional	Value Type
delsessionset	SNMP:VISM-SESSION-MIB.vismSessionSetNum	Mandatory	Integer

Example:

```
BULKACTION
cmgm:/CMGM_Site_default/172.18.101.80/VISM_PR_Slot_11
<BULKACTION><ACTIONNAME>DeleteSessionSetAction</ACTIONNAME><MO
identity="CMGMVVISM"><OA
name="PATH">cmgm:/CMGM_Site_default/172.18.101.80/VISM_PR_Slot_11</OA><OA
name="SNMP:VISM-SESSION-MIB.vismSessionSetNum">1</OA></MO></BULKACTION>
```


AddSessionGroup

The following table describes the attribute(s) associated with the AddSessionGroup action.

Table 6-4 AddSessionGroup Attribute

CLI	MIB attributes	Mandatory/Optional	Value Type
addsesgrp	SNMP:VISM-SESSION-MIB.vismSessionGrpNum	Mandatory	Integer
	SNMP:VISM-SESSION-MIB.vismSessionGrpSetNum	Mandatory	Integer
	SNMP:VISM-SESSION-MIB.vismSessionGrpMgcName	Mandatory	Display String

Example:

```
BULKACTION
cmgmv:/CMGM_Site_default/172.18.101.80/VISM_PR_Slot_11
<BULKACTION><ACTIONNAME>AddSessionGroupAction</ACTIONNAME><MO
identity="CMGMVVISM"><OA
name="PATH">cmgmv:/CMGM_Site_default/172.18.101.80/VISM_PR_Slot_11</OA><OA
name="SNMP:VISM-SESSION-MIB.vismSessionGrpNum">1</OA><OA
name="SNMP:VISM-SESSION-MIB.vismSessionGrpSetNum">1</OA><OA
name="SNMP:VISM-SESSION-MIB.
vismSessionGrpMgcName">vsc_185</OA></MO></BULKACTION>
```

DeleteSessionGroup

The following table describes the attribute(s) associated with the DeleteSessionGroup action.

Table 6-5 DeleteSessionGroup Attributes

CLI	MIB attributes	Mandatory/Optional	Value Type
delsesgrp	SNMP:VISM-SESSION-MIB.vismSessionGrpNum	Mandatory	Integer

Example:

```
BULKACTION
cmgmv:/CMGM_Site_default/172.18.101.80/VISM_PR_Slot_11
<BULKACTION><ACTIONNAME>DeleteSessionGroupAction</ACTIONNAME><MO
identity="CMGMVVISM"><OA
name="PATH">cmgmv:/CMGM_Site_default/172.18.101.80/VISM_PR_Slot_11</OA><OA
name="SNMP:VISM-SESSION-MIB.vismSessionGrpNum">1</OA></MO></BULKACTION>
```

AddRUDPSession

The following table describes the attribute(s) associated with the AddRUDPSession action.

Table 6-6 AddRUDPSession Attributes

CLI	MIB attributes	Mandatory/Optional	Value Type
addses	SNMP:VISM-SESSION-MIB.vismRudpSessionNum	Mandatory	Integer
	SNMP:VISM-SESSION-MIB.vismRudpSessionGrpNum	Mandatory	Integer
	SNMP:VISM-SESSION-MIB.vismRudpSessionPriority	Mandatory	Integer
	SNMP:VISM-SESSION-MIB.vismRudpSessionLocalPort	Mandatory	Integer
	SNMP:VISM-SESSION-MIB.vismRudpSessionRmtPort	Mandatory	Integer
cnfsesack	SNMP:VISM-SESSION-IB.vismRudpSessionCumAckTmout	Optional	Integer
	SNMP:VISM-SESSION-MIB.vismRudpSessionMaxCumAck	Optional	Integer
cnfsesmaxreset	SNMP:VISM-SESSION-MIB.vismRudpSessionMaxAutoReset	Optional	Integer
cnfsesmaxseg	SNMP:VISM-SESSION-MIB.vismRudpSessionMaxSegSize	Optional	Integer
cnfsesmaxwindow	SNMP:VISM-SESSION-MIB.vismRudpSessionMaxWindow	Optional	Integer
cnfsesnullsegtmout	SNMP:VISM-SESSION-MIB.vismRudpSessionNullSegTmout	Optional	Integer
cnfsesoutofseq	SNMP:VISM-SESSION-MIB.vismRudpSessionMaxOutOfSeq	Optional	Integer
	SNMP:VISM-SESSION-MIB.vismRudpSessionRetransTmout	Optional	Integer
cnfsesretrans	SNMP:VISM-SESSION-MIB.vismRudpSessionMaxRetrans	Optional	Integer
	SNMP:VISM-SESSION-MIB.vismRudpSessionTransStateTmout	Optional	Integer
cnfsesstatetmout	SNMP:VISM-SESSION-MIB.vismRudpSessionSyncAttempts	Optional	Integer

Example:

```

BULKACTION
cmgmv: /CMGM_Site_default/172.18.101.80/VISM_PR_Slot_11
<BULKACTION><ACTIONNAME>AddRUDPSessionAction</ACTIONNAME><MO
identity="CMGMVVISM"><OA
name="PATH">cmgmv: /CMGM_Site_default/172.18.101.80/VISM_PR_Slot_11</OA><OA
name="SNMP:VISM-SESSION-MIB.vismRudpSessionNum">1</OA><OA
name="SNMP:VISM-SESSION-MIB.vismRudpSessionGrpNum">1</OA><OA
name="SNMP:VISM-SESSION-MIB.vismRudpSessionPriority">1</OA><OA
name="SNMP:VISM-SESSION-MIB.vismRudpSessionLocalPort">21124</OA><OA
name="SNMP:VISM-SESSION-MIB.
vismRudpSessionRmtPort">1124</OA></MO></BULKACTION>

```

ModifyRUDPSession

The following table describes the attribute(s) associated with the ModifyRUDPSession action.

Table 6-7 *ModifyRUDPSession Attributes*

CLI	MIB Attribute(s)	Mandatory/Optional	Value Type
cnfsesack	SNMP:VISM-SESSION-MIB.vismRudpSessionNum	Mandatory	Integer
	SNMP:VISM-SESSION-MIB.vismRudpSessionCumAckTmout	Optional	Integer
	SNMP:VISM-SESSION-MIB.vismRudpSessionMaxCumAck	Optional	Integer
cnfsesmaxreset	SNMP:VISM-SESSION-MIB.vismRudpSessionMaxAutoReset	Optional	Integer
cnfsesmaxseg	SNMP:VISM-SESSION-MIB.vismRudpSessionMaxSegSize	Optional	Integer
cnfsesmaxwindow	SNMP:VISM-SESSION-MIB.vismRudpSessionMaxWindow	Optional	Integer
cnfsesnullsegTmout	SNMP:VISM-SESSION-MIB.vismRudpSessionNullSegTmout	Optional	Integer
cnfsesoutofseq	SNMP:VISM-SESSION-MIB.vismRudpSessionMaxOutOfSeq	Optional	Integer
	SNMP:VISM-SESSION-MIB.vismRudpSessionLocalPort	Optional	Integer
cnfsesport	SNMP:VISM-SESSION-MIB.vismRudpSessionRmtPort	Optional	Integer
	SNMP:VISM-SESSION-MIB.vismRudpSessionRetransTmout	Optional	Integer
cnfsesretrans	SNMP:VISM-SESSION-MIB.vismRudpSessionMaxRetrans	Optional	Integer
	SNMP:VISM-SESSION-MIB.vismRudpSessionTransStateTmout	Optional	Integer
cnfsesstatetmout	SNMP:VISM-SESSION-MIB.vismRudpSessionTransStateTmout	Optional	Integer
cnfsessyncatmps	SNMP:VISM-SESSION-MIB.vismRudpSessionSyncAttempts	Optional	Integer

Example:

```

BULKACTION
cmgmV:/CMGM_Site_default/172.18.101.80/VISM_PR_Slot_11
<BULKACTION><ACTIONNAME>ModifyRUDPSessionAction</ACTIONNAME><MO
identity="CMGMVVISM"><OA
name="PATH">cmgmV:/CMGM_Site_default/172.18.101.80/VISM_PR_Slot_11</OA><OA
name="SNMP:VISM-SESSION-MIB.vismRudpSessionNum">1</OA><OA
name="SNMP:VISM-SESSION-MIB.vismRudpSessionCumAckTmout">200</OA><OA
name="SNMP:VISM-SESSION-MIB.vismRudpSessionMaxCumAck">1</OA><OA
name="SNMP:VISM-SESSION-MIB.vismRudpSessionMaxAutoReset">5</OA><OA
name="SNMP:VISM-SESSION-MIB.vismRudpSessionMaxSegSize">384</OA><OA
name="SNMP:VISM-SESSION-MIB.vismRudpSessionMaxWindow">32</OA><OA
name="SNMP:VISM-SESSION-MIB.vismRudpSessionNullSegTmout">1000</OA><OA
name="SNMP:VISM-SESSION-MIB.vismRudpSessionMaxOutOfSeq">4</OA><OA
name="SNMP:VISM-SESSION-MIB.vismRudpSessionLocalPort">21124</OA><OA
name="SNMP:VISM-SESSION-MIB.vismRudpSessionRmtPort">1124</OA><OA
name="SNMP:VISM-SESSION-MIB.vismRudpSessionRetransTmout">600</OA><OA
name="SNMP:VISM-SESSION-MIB.vismRudpSessionMaxRetrans">3</OA><OA
name="SNMP:VISM-SESSION-MIB.vismRudpSessionTransStateTmout">2000</OA><OA
name="SNMP:VISM-SESSION-MIB.
vismRudpSessionSyncAttempts">100</OA></MO></BULKACTION>

```

DeleteRUDPSession

The following table describes the attribute(s) associated with the DeleteRUDPSession action.

Table 6-8 DeleteRUDPSession Attributes

CLI	MIB attributes	Mandatory/Optional	Value Type
delses	SNMP:VISM-SESSION-MIB.vismRudpSessionNum	Mandatory	Integer

Example:

```
BULKACTION
cmgmv: /CMGM_Site_default/172.18.101.80/VISM_PR_Slot_11
<BULKACTION><ACTIONNAME>DeleteRUDPSessionAction</ACTIONNAME><MO
identity="CMGMVVISM"><OA
name="PATH">cmgmv: /CMGM_Site_default/172.18.101.80/VISM_PR_Slot_11</OA><OA
name="SNMP:VISM-SESSION-MIB.vismRudpSessionNum">1</OA></MO></BULKACTION>
```

AddDomainName

The following table describes the attribute(s) associated with the AddDomainName action.

Table 6-9 AddDomainName Attributes

CLI	MIB attributes	Mandatory/Optional	Value
cnfvismdn	SNMP:CISCO-WAN-MG-MIB.mgName	Mandatory	Display String
cnfvismip	SNMP:CISCO-WAN-AXIPOP-MIB.vismIpAddress	Mandatory	IpAddress type
	SNMP:CISCO-WAN-AXIPOP-MIB.vismSubNetMask	Mandatory	IpAddress type
	SNMP:CISCO-WAN-AXIPOP-MIB.vismBearerIpAddress	Mandatory	IpAddress type
	SNMP:CISCO-WAN-AXIPOP-MIB.vismBearerSubNetMask	Mandatory	IpAddress type
adddn	SNMP:CISCO-WAN-MG-MIB.mgDomainNameIndex	Mandatory	Integer
	SNMP:CISCO-WAN-MG-MIB.mgDomainName	Mandatory	Display String
	SNMP:CISCO-WAN-MG-MIB.mgDnsResolutionType	Optional	Integer

Example:

```

BULKACTION
cmgmv:/CMGM_Site_default/172.18.101.80/VISM_PR_Slot_11
<BULKACTION><ACTIONNAME>AddDomainNameAction</ACTIONNAME><MO
identity="CMGMVVISM"><OA
name="PATH">cmgmv:/CMGM_Site_default/172.18.101.80/VISM_PR_Slot_11</OA><OA
name="SNMP:CISCO-WAN-MG-MIB.mgName">slt3.vism5</OA><OA
name="SNMP:CISCO-WAN-AXIPOP-MIB.vismIpAddress">10.52.5.1</OA><OA
name="SNMP:CISCO-WAN-AXIPOP-MIB.vismSubNetMask">255.255.255.0</OA><OA
name="SNMP:CISCO-WAN-AXIPOP-MIB.vismBearerIpAddress">0.0.0.0</OA><OA
name="SNMP:CISCO-WAN-AXIPOP-MIB.vismBearerSubNetMask">255.255.255.0</OA><OA
name="SNMP:CISCO-WAN-MG-MIB.mgDomainNameIndex">1</OA><OA
name="SNMP:CISCO-WAN-MG-MIB.mgDomainName">vsc_185</OA><OA
name="SNMP:CISCO-WAN-MG-MIB.mgDnsResolutionType">1</OA></MO></BULKACTION>

```

AddDomainNameIP

The following table describes the attribute(s) associated with the AddDomainNameIP action.

Table 6-10 AddDomianNameIP Attributes

CLI	MIB attributes	Mandatory/Optional	Value Type
adddnip	SNMP:CISCO-WAN-MG-MIB.mgcResolutionIndex	Mandatory	Integer
	SNMP:CISCO-WAN-MG-MIB.mgcResolutionName	Mandatory	Display String
	SNMP:CISCO-WAN-MG-MIB.mgcResolutionIpAddress	Mandatory	IpAddress
	SNMP:CISCO-WAN-MG-MIB.mgcResolutionPreference	Mandatory	Integer

Example:

```

BULKACTION
cmgmv:/CMGM_Site_default/172.18.101.80/VISM_PR_Slot_11
<BULKACTION><ACTIONNAME>AddDomainNameIPAction</ACTIONNAME><MO
identity="CMGMVVISM"><OA
name="PATH">cmgmv:/CMGM_Site_default/172.18.101.80/VISM_PR_Slot_11</OA><OA
name="SNMP:CISCO-WAN-MG-MIB.mgcResolutionIndex">1</OA><OA
name="SNMP:CISCO-WAN-MG-MIB.mgcResolutionName">vsc_185</OA><OA
name="SNMP:CISCO-WAN-MG-MIB.mgcResolutionIpAddress">10.52.5.2</OA><OA
name="SNMP:CISCO-WAN-MG-MIB.mgcResolutionPreference">1</OA></MO></BULKACTION>

```

AddMGCPControlPath

The following table describes the attribute(s) associated with the AddMGCPControlPath action.

Table 6-11 AddMGCPControlPath Attributes

CLI	MIB attributes	Mandatory/Optional	Value Type
addmgc	SNMP:CISCO-WAN-MG-MIB.mgcNumber	Mandatory	Integer
	SNMP:CISCO-WAN-MG-MIB.mgcName	Mandatory	Display String
addmgcgrpentry	SNMP:CISCO-WAN-MG-MIB.mgcNumber (Repeated)	Mandatory	Integer
	SNMP:CISCO-WAN-MGC-REDUN-MIB.mgcRedundancyGrpNum	Mandatory	Integer
	SNMP:CISCO-WAN-MGC-REDUN-MIB.mgcRedundancyGrpPref	Mandatory	Integer
addmgcgrpprotocol	SNMP:CISCO-WAN-MGC-REDUN-MIB.mgcRedundancyGrpNum (Repeated)	Mandatory	Integer
	SNMP:CISCO-WAN-MG-MIB.mgProtocolNumber	Mandatory	Integer
cnfmgcgrpentry	SNMP:CISCO-WAN-MGC-REDUN-MIB.mgcRedundancyGrpNum (Repeated)	Mandatory	Integer
	SNMP:CISCO-WAN-MGC-REDUN-MIB.mgcRedundancyGrpPref	Optional	Integer
cnfmgcgrpparam	SNMP:CISCO-WAN-MGC-REDUN-MIB.mgcRedundancyGrpNum (Repeated)	Mandatory	Integer
	SNMP:CISCO-WAN-MGC-REDUN-MIB.mgcRedundancyGrpPriority	Optional	Integer
	SNMP:CISCO-WAN-MGC-REDUN-MIB.mgcRedundancyGrpStateChangeNtfy	Optional	Bool
cnfmgcgrpprotocol	SNMP:CISCO-WAN-MG-MIB.mgProtocolNumber (Repeated)	Mandatory	Integer
	SNMP:CISCO-WAN-MGC-REDUN-MIB.mgcRedGrpProtPersistEvtPolicy	Optional	Integer
	SNMP:CISCO-WAN-MGC-REDUN-MIB.mgcRedGrpProtQuarantinePolicy	Optional	Integer
	SNMP:CISCO-WAN-MGC-REDUN-MIB.mgcRedGrpProtSigEvtOnOffPolicy	Optional	Integer
	SNMP:CISCO-WAN-MGC-REDUN-MIB.mgcRedGrpProtProvisionalResponse	Optional	Integer
	SNMP:CISCO-WAN-MGC-REDUN-MIB.mgcRedGrpProtResponseAckAttr	Optional	Integer
	SNMP:CISCO-WAN-MGC-REDUN-MIB.mgcRedGrpProtDisconnectProcedure	Optional	Integer
	SNMP:CISCO-WAN-MGC-REDUN-MIB.mgcRedGrpProtCancelGraceful	Optional	Integer

Table 6-11 AddMGCPControlPath Attributes (continued)

CLI	MIB attributes	Mandatory/Optional	Value Type
cnfxgcppeer	SNMP:CISCO-WAN-AXIPOP-MIB.vismXgcpPeerNumber	Optional	Integer
cnfxgcpmwd	SNMP:CISCO-WAN-AXIPOP-MIB.vismXgcpPeerProtocolNumber	Optional	Integer
cnfxgcpretry	SNMP:CISCO-WAN-AXIPOP-MIB.vismXgcpPeerPort	Optional	Integer
addxgcppersistvt	SNMP:XGCP-MIB.xgcpRestartInProgressMWD	Optional	Integer
	SNMP:XGCP-MIB.xgcpRequestTimeout	Optional	Integer
	SNMP:XGCP-MIB.xgcpRequestRetries	Optional	Integer
cnfsrcppeer	SNMP:CISCO-WAN-SRCP-MIB.srcpPeerId	Optional	Integer
cnfsrcppeergrpparam	SNMP:CISCO-WAN-SRCP-MIB.srcpPeerPortNumber	Optional	Integer
cnfsrcpretry	SNMP:CISCO-WAN-MGC-REDUN-MIB.mgcRedundancyGrpNum (Repeated)	Mandatory	Integer
	SNMP:CISCO-WAN-SRCP-MIB.srcpPeerGrpHeartbeatInterval	Optional	Integer
	SNMP:CISCO-WAN-SRCP-MIB.srcpPeerGrpMaxPduSize	Optional	Integer
	SNMP:CISCO-WAN-SRCP-MIB.srcpRequestTimeout	Optional	Integer
	SNMP:CISCO-WAN-SRCP-MIB.srcpRequestRetries	Optional	Integer
	SNMP:CISCO-WAN-SRCP-MIB.srcpRequestMaxTimeout	Optional	Integer
cnfco4timer	SNMP:CISCO-WAN-AXIPOP-MIB.vismBearerContinuityTimer	Optional	Integer

Example:

```

BULKACTION
cmgmv:/CMGM_Site_default/172.18.101.80/VISM_PR_Slot_11
<BULKACTION><ACTIONNAME>AddMGCPControlPathAction</ACTIONNAME><MO
identity="CMGMVVISM"><OA
name="PATH">cmgmv:/CMGM_Site_default/172.18.101.80/VISM_PR_Slot_11</OA><OA
name="SNMP:CISCO-WAN-MGC-REDUN-MIB.mgcRedundancyGrpPref">1</OA><OA
name="SNMP:CISCO-WAN-MG-MIB.mgcNumber">1</OA><OA
name="SNMP:CISCO-WAN-MG-MIB.mgcName">vsc_185</OA><OA
name="SNMP:CISCO-WAN-MGC-REDUN-MIB.mgcRedundancyGrpNum">1</OA><OA
name="SNMP:CISCO-WAN-MG-MIB.mgProtocolNumber">2</OA><OA
name="SNMP:CISCO-WAN-AXIPOP-MIB.
vismBearerContinuityTimer">2000</OA></MO></BULKACTION>

```

ModifyMGCPControlPath

The following table describes the attribute(s) associated with the ModifyMGCPControlPath action.

Table 6-12 *ModifyMGCPControlPath Attributes*

CLI	MIB attributes	Mandatory/Optional	Value
cnfmgcgrpretry	SNMP:CISCO-WAN-MGC-REDUN-MIB.mgcRedundancyGrpNum (Repeated)	Mandatory	Integer
	SNMP:CISCO-WAN-MGC-REDUN-MIB.mgcRedundancyGrpPref	Optional	Integer
cnfmgcgrpparam	SNMP:CISCO-WAN-MGC-REDUN-MIB.mgcRedundancyGrpNum (Repeated)	Mandatory	Integer
	SNMP:CISCO-WAN-MGC-REDUN-MIB.mgcRedundancyGrpPriority	Optional	Integer
	SNMP:CISCO-WAN-MGC-REDUN-MIB.mgcRedundancyGrpStateChangeNtfy	Optional	Bool
cnfmgcgrpprotocol	SNMP:CISCO-WAN-MGC-MIB.mgProtocolNumber (Repeated)	Optional	Integer
	SNMP:CISCO-WAN-MGC-REDUN-MIB.mgcRedGrpProtPersistEvtPolicy	Optional	Integer
	SNMP:CISCO-WAN-MGC-REDUN-MIB.mgcRedGrpProtQuarantinePolicy	Optional	Integer
	SNMP:CISCO-WAN-MGC-REDUN-MIB.mgcRedGrpProtSigEvtOnOffPolicy	Optional	Integer
	SNMP:CISCO-WAN-MGC-REDUN-MIB.mgcRedGrpProtProvisionalResponse	Optional	Integer
	SNMP:CISCO-WAN-MGC-REDUN-MIB.mgcRedGrpProtResponseAckAttr	Optional	Integer
	SNMP:CISCO-WAN-MGC-REDUN-MIB.mgcRedGrpProtDisconnectProcedure	Optional	Integer
	SNMP:CISCO-WAN-MGC-REDUN-MIB.mgcRedGrpProtCancelGraceful	Optional	Integer
cnfxgcppeer cnfxgcpmwd cnfxgcpretry addxgcppersistevt	SNMP:CISCO-WAN-AXIPOP-MIB.vismXgcpPeerNumber	Optional	Integer
	SNMP:CISCO-WAN-AXIPOP-MIB.vismXgcpPeerProtocolNumber	Optional	Integer
	SNMP:CISCO-WAN-AXIPOP-MIB.vismXgcpPeerPort	Optional	Integer
	SNMP:XGCP-MIB.xgcpRestartInProgressMWD	Optional	Integer
	SNMP:XGCP-MIB.xgcpRequestTimeOut	Optional	Integer
	SNMP:XGCP-MIB.xgcpRequestRetries	Optional	Integer

Table 6-12 ModifyMGCPControlPath Attributes (continued)

CLI	MIB attributes	Mandatory/Optional	Value
cnfsrcppeer cnfsrcppeergrpparam cnfsrcpretry	SNMP:CISCO-WAN-SRCP-MIB.srcpPeerId	Optional	Integer
	SNMP:CISCO-WAN-SRCP-MIB.srcpPeerPortNumber	Optional	Integer
	SNMP:CISCO-WAN-MGC-REDUN-MIB.mgcRedundancyGrpNum (Repeated)	Mandatory	Integer
	SNMP:CISCO-WAN-SRCP-MIB.srcpPeerGrpHeartbeatInterval	Optional	Integer
	SNMP:CISCO-WAN-SRCP-MIB.srcpPeerGrpMaxPduSize	Optional	Integer
	SNMP:CISCO-WAN-SRCP-MIB.srcpRequestTimeOut	Optional	Integer
	SNMP:CISCO-WAN-SRCP-MIB.srcpRequestRetries	Optional	Integer
	SNMP:CISCO-WAN-SRCP-MIB.srcpRequestMaxTimeout	Optional	Integer
cnfco4timer	SNMP:CISCO-WAN-AXIPOP-MIB.vismBearerContinuityTimer	Optional	Integer

Example:

```

BULKACTION
cmgmv: /CMGM_Site_default/172.18.101.80/VISM_PR_Slot_11
<BULKACTION><ACTIONNAME>ModifyMGCPControlPathAction</ACTIONNAME><MO
identity= "CMGMVVISM"><OA
name= "PATH">cmgmv: /CMGM_Site_default/172.18.101.80/VISM_PR_Slot_11</OA><OA
name= "SNMP:CISCO-WAN-MGC-REDUN-MIB.mgcRedundancyGrpNum">1</OA><OA
name= "SNMP:CISCO-WAN-MG-MIB.mgcNumber">1</OA><OA
name= "SNMP:CISCO-WAN-MGC-REDUN-MIB.mgcRedundancyGrpPref">2</OA><OA
name= "SNMP:CISCO-WAN-MGC-REDUN-MIB.mgcRedundancyGrpPriority">2</OA><OA
name= "SNMP:CISCO-WAN-MGC-REDUN-MIB.
mgcRedundancyGrpStateChangeNtfy">1</OA><OA
name= "SNMP:CISCO-WAN-MG-MIB.mgProtocolNumber">2</OA><OA
name= "SNMP:CISCO-WAN-MGC-REDUN-MIB.mgcRedGrpProtPersistEvtPolicy">1</OA><OA
name= "SNMP:CISCO-WAN-MGC-REDUN-MIB.mgcRedGrpProtQuarantinePolicy">2</OA><OA
name= "SNMP:CISCO-WAN-MGC-REDUN-MIB.
mgcRedGrpProtSigEvtOnOffPolicy">1</OA><OA
name= "SNMP:CISCO-WAN-MGC-REDUN-MIB.
mgcRedGrpProtProvisionalResponse">2</OA><OA
name= "SNMP:CISCO-WAN-MGC-REDUN-MIB.mgcRedGrpProtResponseAckAttr">2</OA><OA
name= "SNMP:CISCO-WAN-MGC-REDUN-MIB.
mgcRedGrpProtDisconnectProcedure">2</OA><OA
name= "SNMP:CISCO-WAN-MGC-REDUN-MIB.
mgcRedGrpProtCancelGraceful">2</OA></MO></BULKACTION>

```

DeleteDomainName

The following table describes the attribute(s) associated with the DeleteDomainName action.

Table 6-13 DeleteDomainName Attributes

CLI	MIB attributes	Mandatory/Optional	Value Type
deldn	SNMP:CISCO-WAN-MG-MIB.mgDomainNameIndex	Mandatory	Integer

Example:

```
BULKACTION
cmgmv:/CMGM_Site_default/172.18.101.80/VISM_PR_Slot_11
<BULKACTION><ACTIONNAME>DeleteDomainNameAction</ACTIONNAME><MO
identity="CMGMVVISM"><OA
name="PATH">cmgmv:/CMGM_Site_default/172.18.101.80/VISM_PR_Slot_11</OA><OA
name="SNMP:CISCO-WAN-MG-MIB.mgDomainNameIndex">1</OA></MO></BULKACTION>
```

DeleteDomainNameIP

The following table describes the attribute(s) associated with the DeleteDomainNameIP action.

Table 6-14 DeleteDomainNameIP Attributes

CLI	MIB attributes	Mandatory/Optional	Value Type
deldnip	SNMP:CISCO-WAN-MG-MIB.mgcResolutionIndex	Mandatory	Integer

Example:

```
BULKACTION
cmgmv:/CMGM_Site_default/172.18.101.80/VISM_PR_Slot_11
<BULKACTION><ACTIONNAME>DeleteDomainNameIPAction</ACTIONNAME><MO
identity="CMGMVVISM"><OA
name="PATH">cmgmv:/CMGM_Site_default/172.18.101.80/VISM_PR_Slot_11</OA><OA
name="SNMP:CISCO-WAN-MG-MIB.mgcResolutionIndex">1</OA></MO></BULKACTION>
```

DeleteMGCPControlPath

The following table describes the attribute(s) associated with the DeleteMGPCControlPath action.

Table 6-15 DeleteMGPCControlPath Attributes

CLI	MIB attributes	Mandatory/Optional	Value
delmgcgrpprotocol	SNMP:CISCO-WAN-MG-MIB.mgProtocolNumber	Mandatory	Integer
delmgcgrpentry	SNMP:CISCO-WAN-MGC-REDUN-MIB.mgcRedundancyGrpNum	Mandatory	Integer
delmgc	SNMP:CISCO-WAN-MG-MIB.mgcNumber	Mandatory	Integer

Example:

```
BULKACTION
cmgmv:/CMGM_Site_default/172.18.101.80/VISM_PR_Slot_11
<BULKACTION><ACTIONNAME>DeleteMGCPControlPathAction</ACTIONNAME><MO
identity="CMGMVVISM"><OA
name="PATH">cmgmv:/CMGM_Site_default/172.18.101.80/VISM_PR_Slot_11</OA><OA
name="SNMP:CISCO-WAN-MGC-REDUN-MIB.mgcRedundancyGrpNum">1</OA><OA
name="SNMP:CISCO-WAN-MG-MIB.mgProtocolNumber">3</OA><OA
name="SNMP:CISCO-WAN-MG-MIB.mgcNumber">1</OA></MO></BULKACTION>
```

AddDChannel

The following table describes the attribute(s) associated with the AddDChannel action.

Table 6-16 AddDChannel Attributes

CLI	MIB attributes	Mandatory/Optional	Value Type
addlapd	LocalDB:Cmgmvmodule.startDs1LineNumber	Mandatory	Integer
	LocalDB:Cmgmvmodule.startDs0Number	Mandatory	Integer
	SNMP:VISM-LAPD-MIB.vismLapdSide	Mandatory	Integer
	SNMP:VISM-LAPD-MIB.vismLapdAppType	Mandatory	Integer
cnflapdtype cnflapdwinsize cnflapdretrans cnflapdtimer	SNMP:VISM-LAPD-MIB.vismLapdtype	Optional	Integer
	SNMP:VISM-LAPD-MIB.vismLapdWinSize	Optional	Integer
	SNMP:VISM-LAPD-MIB.vismLapdN200	Optional	Integer
	SNMP:VISM-LAPD-MIB.vismLapdT200	Optional	Integer
	SNMP:VISM-LAPD-MIB.vismLapdT203	Optional	Integer

Example:

```
BULKACTION
cmgmv: /CMGM_Site_default/172.18.101.80/VISM_PR_Slot_11
<BULKACTION><ACTIONNAME>AddDChannelAction</ACTIONNAME><MO
identity="CMGMVVISM"><OA
name="PATH">cmgmv: /CMGM_Site_default/172.18.101.80/VISM_PR_Slot_11</OA><OA
name="LocalDB:Cmgmvmodule.startDs1LineNumber">7</OA><OA
name="LocalDB:Cmgmvmodule.startDs0Number">1</OA></MO></BULKACTION>
```

ModifyDChannel

The following table describes the attribute(s) associated with the ModifyDChannel action.

Table 6-17 ModifyDChannel Attributes

CLI	MIB attributes	Mandatory/Optional	Value Type
Cnflapdtype cnflapdwinsize cnflapdretrans cnflapdtimer	LocalDB:Cmgmvmodule.startDs1LineNumber	Mandatory	Integer
	LocalDB:Cmgmvmodule.startDs0Number	Mandatory	Integer
	SNMP:VISM-LAPD-MIB.vismLapdtype	Optional	Integer
	SNMP:VISM-LAPD-MIB.vismLapdWinSize	Optional	Integer
	SNMP:VISM-LAPD-MIB.vismLapdN200	Optional	Integer
	SNMP:VISM-LAPD-MIB.vismLapdT200	Optional	Integer
	SNMP:VISM-LAPD-MIB.vismLapdT203	Optional	Integer

Example:

```

BULKACTION
cmgmv:/CMGM_Site_default/172.18.101.80/VISM_PR_Slot_11
<BULKACTION><ACTIONNAME>ModifyDChannelAction</ACTIONNAME><MO
identity="CMGMVVISM"><OA
name="PATH">cmgmv:/CMGM_Site_default/172.18.101.80/VISM_PR_Slot_11</OA><OA
name="LocalDB:Cmgmvmodule.startDs1LineNumber">3</OA><OA
name="LocalDB:Cmgmvmodule.startDs0Number">1</OA><OA
name="SNMP:VISM-LAPD-MIB.vismLapdN200">3</OA><OA
name="SNMP:VISM-LAPD-MIB.vismLapdT200">1000</OA><OA
name="SNMP:VISM-LAPD-MIB.vismLapdT203">10000</OA></MO></BULKACTION>

```

DeleteDChannel

The following table describes the attribute(s) associated with the DeleteDChannel action.

Table 6-18 DeleteDChannel Attributes

CLI	MIB attributes	Mandatory/Optional	Value Type
Dellapd	LocalDB:Cmgmvmodule.startDs1LineNumber	Mandatory	Integer
	LocalDB:Cmgmvmodule.startDs0Number	Mandatory	Integer

Example:

```

BULKACTION
cmgmv:/CMGM_Site_default/172.18.101.80/VISM_PR_Slot_11
<BULKACTION><ACTIONNAME>DeleteDChannelAction</ACTIONNAME><MO
identity="CMGMVVISM"><OA
name="PATH">cmgmv:/CMGM_Site_default/172.18.101.80/VISM_PR_Slot_11</OA><OA
name="LocalDB:Cmgmvmodule.startDs1LineNumber">3</OA><OA
name="LocalDB:Cmgmvmodule.startDs0Number">1</OA></MO></BULKACTION>

```

AddVismTonePlan

The following table describes the attribute(s) associated with the AddVismTonePlan action.

Table 6-19 AddVismTonePlan Attributes

CLI	MIB attributes	Mandatory/Optional	Value Type
addtoneplan	SNMP:CISCO-WAN-VISM-TONE-PLAN-MIB.tonePlanIndex	Mandatory	Integer
	SNMP:CISCO-WAN-VISM-TONE-PLAN-MIB.tonePlanRegionName	Mandatory	Display String
	SNMP:CISCO-WAN-VISM-TONE-PLAN-MIB.tonePlanVersionNumber	Mandatory	Integer
	SNMP:CISCO-WAN-VISM-TONE-PLAN-MIB.tonePlanFileName	Mandatory	Display String

Example:

```

BULKACTION
cmgmv:/CMGM_Site_default/172.18.101.80/VISM_PR_Slot_11
<BULKACTION><ACTIONNAME>AddVismTonePlanAction</ACTIONNAME><MO
identity="CMGMVVISM"><OA
name="PATH">cmgmv:/CMGM_Site_default/172.18.101.80/VISM_PR_Slot_11</OA><OA
name="SNMP:CISCO-WAN-VISM-TONE-PLAN-MIB.tonePlanIndex">1</OA><OA
name="SNMP:CISCO-WAN-VISM-TONE-PLAN-MIB.tonePlanRegionName">Tone1</OA><OA
name="SNMP:CISCO-WAN-VISM-TONE-PLAN-MIB.tonePlanFileName">tone.txt</OA><OA
name="SNMP:CISCO-WAN-VISM-TONE-PLAN-MIB.
tonePlanVersionNumber">1</OA></MO></BULKACTION>

```

DeleteVismTonePlan

The following table describes the attribute(s) associated with the DeleteVismTonePlan action.

Table 6-20 DeleteVismTonePlan Attributes

CLI	MIB attributes	Mandatory/Optional	Value Type
deltoneplan	SNMP:CISCO-WAN-VISM-TONE-PLAN-MIB.tonePlanIndex	Mandatory	Integer
	SNMP:CISCO-WAN-VISM-TONE-PLAN-MIB.tonePlanRegionName	Mandatory	String
	SNMP:CISCO-WAN-VISM-TONE-PLAN-MIB.tonePlanVersionNumber	Mandatory	Integer

Example:

```

BULKACTION
cmgmv:/CMGM_Site_default/172.18.101.80/VISM_PR_Slot_11
<BULKACTION><ACTIONNAME>DeleteVismTonePlanAction</ACTIONNAME><MO
identity="CMGMVVISM"><OA
name="PATH">cmgmv:/CMGM_Site_default/172.18.101.80/VISM_PR_Slot_11</OA><OA
name="SNMP:CISCO-WAN-VISM-TONE-PLAN-MIB.
tonePlanIndex">1</OA></MO></BULKACTION>

```

AddCASVariant

The following table describes the attribute(s) associated with the AddCASVariant action.

Table 6-21 AddCASVariant Attributes

CLI	MIB attributes	Mandatory/Optional	Value Type
addcasvar	SNMP:CISCO-WAN-AXIPOP-MIB.vismCasVariantName	Mandatory	String
	SNMP:CISCO-WAN-AXIPOP-MIB.vismCasFileName	Mandatory	String
	SNMP:CISCO-WAN-AXIPOP-MIB.vismCasVariantSource	Optional	Integer
cnfcasvar	SNMP:CISCO-WAN-AXIPOP-MIB.vismCasVariantName (Repeated)	Mandatory	String
	SNMP:CISCO-WAN-AXIPOP-MIB.vismCasCountryCode	Optional	String
	SNMP:CISCO-WAN-AXIPOP-MIB.vismCasTRinging	Optional	Integer
	SNMP:CISCO-WAN-AXIPOP-MIB.vismCasInterdigitTpart	Optional	Integer
	SNMP:CISCO-WAN-AXIPOP-MIB.vismCasInterdigitTcrit	Optional	Integer
	SNMP:CISCO-WAN-AXIPOP-MIB.vismCasInterdigitTMF	Optional	Integer

Example:

```
BULKACTION
cmgmv: /CMGM_Site_default/172.18.101.80/VISM_PR_Slot_11
<BULKACTION><ACTIONNAME>AddCASVariantAction</ACTIONNAME><MO
identity="CMGMVVISM"><OA
name="PATH">cmgmv: /CMGM_Site_default/172.18.101.80/VISM_PR_Slot_11</OA><OA
name="SNMP:CISCO-WAN-AXIPOP-MIB.vismCasVariantName">cas_var1</OA><OA
name="SNMP:CISCO-WAN-AXIPOP-MIB.vismCasFileName">ground_start.o</OA><OA
name="SNMP:CISCO-WAN-AXIPOP-MIB.vismCasVariantSource">1</OA><OA
name="SNMP:CISCO-WAN-AXIPOP-MIB.vismCasCountryCode">JP</OA><OA
name="SNMP:CISCO-WAN-AXIPOP-MIB.vismCasTRinging">100</OA><OA
name="SNMP:CISCO-WAN-AXIPOP-MIB.vismCasInterdigitTpart">10</OA><OA
name="SNMP:CISCO-WAN-AXIPOP-MIB.vismCasInterdigitTcrit">100</OA><OA
name="SNMP:CISCO-WAN-AXIPOP-MIB.
vismCasInterdigitTMF">5</OA></MO></BULKACTION>
```

ModifyCASVariant

The following table describes the attribute(s) associated with the ModifyCASVariant action.

Table 6-22 ModifyCASVariant Attributes

CLI	MIB attributes	Mandatory/Optional	Value Type
cnfcasvar	SNMP:CISCO-WAN-AXIPOP-MIB.vismCasVariantName	Mandatory	String
	SNMP:CISCO-WAN-AXIPOP-MIB.vismCasCountryCode	Optional	String
	SNMP:CISCO-WAN-AXIPOP-MIB.vismCasTRinging	Optional	Integer
	SNMP:CISCO-WAN-AXIPOP-MIB.vismCasInterdigitTpart	Optional	Integer
	SNMP:CISCO-WAN-AXIPOP-MIB.vismCasInterdigitTcrit	Optional	Integer
	SNMP:CISCO-WAN-AXIPOP-MIB.vismCasInterdigitTMF	Optional	Integer

Example:

```

BULKACTION
cmgmv:/CMGM_Site_default/172.18.101.80/VISM_PR_Slot_11
<BULKACTION><ACTIONNAME>ModifyCASVariantAction</ACTIONNAME><MO
identity="CMGMVVISM"><OA
name="PATH">cmgmv:/CMGM_Site_default/172.18.101.80/VISM_PR_Slot_11</OA><OA
name="SNMP:CISCO-WAN-AXIPOP-MIB.vismCasVariantName">cas_var1</OA><OA
name="SNMP:CISCO-WAN-AXIPOP-MIB.vismCasCountryCode">US</OA><OA
name="SNMP:CISCO-WAN-AXIPOP-MIB.vismCasTRinging">101</OA><OA
name="SNMP:CISCO-WAN-AXIPOP-MIB.vismCasInterdigitTpart">11</OA><OA
name="SNMP:CISCO-WAN-AXIPOP-MIB.vismCasInterdigitTcrit">101</OA><OA
name="SNMP:CISCO-WAN-AXIPOP-MIB.
vismCasInterdigitTMF">6</OA></MO></BULKACTION>

```

DeleteCASVariant

The following table describes the attribute(s) associated with the DeleteCASVariant action.

Table 6-23 DeleteCASVariant Attributes

CLI	MIB attributes	Mandatory/Optional	Value Type
delcasvar	SNMP:CISCO-WAN-AXIPOP-MIB.vismCasVariantName	Mandatory	String

Example:

```

BULKACTION
cmgmv:/CMGM_Site_default/172.18.101.80/VISM_PR_Slot_11
<BULKACTION><ACTIONNAME>DeleteCASVariantAction</ACTIONNAME><MO
identity="CMGMVVISM"><OA
name="PATH">cmgmv:/CMGM_Site_default/172.18.101.80/VISM_PR_Slot_11</OA><OA
name="SNMP:CISCO-WAN-AXIPOP-MIB.
vismCasVariantName">cas_var1</OA></MO></BULKACTION>

```

AddDS1Line

The following table describes the attribute(s) associated with the AddDS1Line action.

Table 6-24 AddDS1Line Attribute

CLI	MIB attributes	Mandatory/Optional	Value
Addln	SNMP:CISCO-MGX82XX-DSX1-MIB.lineNum	Mandatory	Integer
	SNMP:CISCO-MGX82XX-DSX1-MIB.lineEnable	Mandatory	Integer
Cnfln	SNMP:CISCO-MGX82XX-DSX1-MIB.lineNum (Repeated)	Mandatory	Integer
	SNMP:CISCO-MGX82XX-DSX1-MIB.lineCoding	Optional	Integer
	SNMP:CISCO-MGX82XX-DSX1-MIB.lineLength	Optional	Integer
	SNMP:CISCO-MGX82XX-DSX1-MIB.lineXmtClockSource	Optional	Integer
	SNMP:CISCO-MGX82XX-DSX1-MIB.lineType	Optional	Integer
	SNMP:CISCO-MGX82XX-DSX1-MIB.lineLoopbackCodeDetecti on	Optional	Integer

Table 6-24 AddDS1Line Attribute (continued)

CLI	MIB attributes	Mandatory/Optional	Value
Cnflnsig Cnftrunkcond	SNMP:CISCO-MGX82XX-DSX1-MIB.lineNum (Repeated)	Mandatory	Integer
	SNMP:CISCO-MGX82XX-DSX1-MIB.vismSignalingType	Optional	Integer
	SNMP:CISCO-MGX82XX-DSX1-MIB.vismTrunkConditionEnable	Optional	Integer
Cnflntoneplan	SNMP:CISCO-MGX82XX-DSX1-MIB.lineNum (Repeated)	Mandatory	Integer
	SNMP:CISCO-MGX82XX-DSX1-MIB.vismDsx1TonePlanRegion	Optional	Display String
	SNMP:CISCO-MGX82XX-DSX1-MIB.vismDsx1TonePlanVersion	Optional	Integer
Cnfmalm	SNMP:CISCO-MGX82XX-DSX1-MIB.lineNum (Repeated)	Mandatory	Integer
	SNMP:CISCO-MGX82XX-DSX1-MIB.redSeverity	Optional	Integer
	SNMP:CISCO-MGX82XX-DSX1-MIB.rAISeverity	Optional	Integer
	SNMP:CISCO-MGX82XX-DSX1-MIB.nEAlarmUpCount	Optional	Integer
	SNMP:CISCO-MGX82XX-DSX1-MIB.nEAlarmDownCount	Optional	Integer
	SNMP:CISCO-MGX82XX-DSX1-MIB.nEAlarmThreshold	Optional	Integer
	SNMP:CISCO-MGX82XX-DSX1-MIB.fEAlarmUpCount	Optional	Integer
	SNMP:CISCO-MGX82XX-DSX1-MIB.fEAlarmDownCount	Optional	Integer
SNMP:CISCO-MGX82XX-DSX1-MIB.fEAlarmThreshold	Optional	Integer	
cnfecanenable	SNMP:CISCO-MGX82XX-DSX1-MIB.vismEcanEnabled	Optional	Integer
cnfecanrec	SNMP:CISCO-MGX82XX-DSX1-MIB.vismEcanREC	Optional	Integer
cnfecantail	SNMP:CISCO-MGX82XX-DSX1-MIB.vismEcanTail	Optional	Integer
Cnfcompvad	SNMP:CISCO-MGX82XX-DSX1-MIB.vismCompCnfVAD	Optional	Integer
cnflndigitorder	SNMP:CISCO-MGX82XX-DSX1-MIB.vismDsx1TxDigitOrder	Optional	Integer
cnflnringback	SNMP:CISCO-MGX82XX-DSX1-MIB.vismDsx1RemoteRingback	Optional	Integer
cnflntonetimout	SNMP:CISCO-MGX82XX-DSX1-MIB.vismDsx1RemoteRingback	Optional	Integer
	SNMP:CISCO-MGX82XX-DSX1-MIB.vismDsx1RingingTO	Optional	Integer
	SNMP:CISCO-MGX82XX-DSX1-MIB.vismDsx1RingBackTO	Optional	Integer
	SNMP:CISCO-MGX82XX-DSX1-MIB.vismDsx1BusyTO	Optional	Integer
	SNMP:CISCO-MGX82XX-DSX1-MIB.vismDsx1ReorderTO	Optional	Integer
	SNMP:CISCO-MGX82XX-DSX1-MIB.vismDsx1DialTO	Optional	Integer
	SNMP:CISCO-MGX82XX-DSX1-MIB.vismDsx1StutterDialTO	Optional	Integer
SNMP:CISCO-MGX82XX-DSX1-MIB.vismDsx1OffHookAlertTO	Optional	Integer	

Example:

```

BULKACTION
cmgmv:/CMGM_Site_default/172.18.101.80/VISM_PR_Slot_11
<BULKACTION><ACTIONNAME>AddDS1LineAction</ACTIONNAME><MO
identity="CMGMVVISM"><OA
name="PATH">cmgmv:/CMGM_Site_default/172.18.101.80/VISM_PR_Slot_11</OA><OA
name="SNMP:CISCO-MGX82XX-DSX1-MIB.lineNum">6</OA><OA
name="SNMP:CISCO-MGX82XX-DSX1-MIB.lineEnable">3</OA><OA
name="SNMP:CISCO-MGX82XX-DSX1-MIB.lineCoding">2</OA><OA
name="SNMP:CISCO-MGX82XX-DSX1-MIB.lineLength">11</OA><OA
name="SNMP:CISCO-MGX82XX-DSX1-MIB.lineXmtClockSource">1</OA><OA
name="SNMP:CISCO-MGX82XX-DSX1-MIB.lineType">1</OA><OA
name="SNMP:CISCO-MGX82XX-DSX1-MIB.lineLoopbackCodeDetection">2</OA><OA
name="SNMP:CISCO-MGX82XX-DSX1-MIB.vismSignalingType">1</OA><OA
name="SNMP:CISCO-MGX82XX-DSX1-MIB.vismTrunkConditionEnable">1</OA><OA
name="SNMP:CISCO-MGX82XX-DSX1-MIB.vismDsxlTonePlanRegion">Japan</OA><OA
name="SNMP:CISCO-MGX82XX-DSX1-MIB.vismDsxlTonePlanVersion">1</OA><OA
name="SNMP:CISCO-MGX82XX-DSX1-MIB.vismEcanEnabled">2</OA><OA
name="SNMP:CISCO-MGX82XX-DSX1-MIB.vismEcanREC">2</OA><OA
name="SNMP:CISCO-MGX82XX-DSX1-MIB.vismEcanTail">32</OA><OA
name="SNMP:CISCO-MGX82XX-DSX1-MIB.vismCompCnfVAD">2</OA><OA
name="SNMP:CISCO-MGX82XX-DSX1-MIB.vismDsxlTxDigitOrder">1</OA><OA
name="SNMP:CISCO-MGX82XX-DSX1-MIB.vismDsxlRemoteRingback">1</OA><OA
name="SNMP:CISCO-MGX82XX-DSX1-MIB.vismDsxlRingingTO">200</OA><OA
name="SNMP:CISCO-MGX82XX-DSX1-MIB.vismDsxlRingBackTO">200</OA><OA
name="SNMP:CISCO-MGX82XX-DSX1-MIB.vismDsxlBusyTO">25</OA><OA
name="SNMP:CISCO-MGX82XX-DSX1-MIB.vismDsxlReorderTO">25</OA><OA
name="SNMP:CISCO-MGX82XX-DSX1-MIB.vismDsxlDialTO">20</OA><OA
name="SNMP:CISCO-MGX82XX-DSX1-MIB.vismDsxlStutterDialTO">20</OA><OA
name="SNMP:CISCO-MGX82XX-DSX1-MIB.vismDsxlOffHookAlertTO">5</OA><OA
name="SNMP:CISCO-MGX82XX-DSX1-MIB.redSeverity">2</OA><OA
name="SNMP:CISCO-MGX82XX-DSX1-MIB.rAISeverity">5</OA><OA
name="SNMP:CISCO-MGX82XX-DSX1-MIB.nEAlarmUpCount">8</OA><OA
name="SNMP:CISCO-MGX82XX-DSX1-MIB.nEAlarmDownCount">2</OA><OA
name="SNMP:CISCO-MGX82XX-DSX1-MIB.nEAlarmThreshold">2000</OA><OA
name="SNMP:CISCO-MGX82XX-DSX1-MIB.fEAlarmUpCount">8</OA><OA
name="SNMP:CISCO-MGX82XX-DSX1-MIB.fEAlarmDownCount">2</OA><OA
name="SNMP:CISCO-MGX82XX-DSX1-
MIB.fEAlarmThreshold">2000</OA></MO></BULKACTION>

```

ModifyDS1Line

The following table describes the attribute(s) associated with the ModifyDS1Line action.

Table 6-25 *ModifyDS1Line Attributes*

CLI	MIB attributes	Mandatory/Optional	Value
Cnfln	SNMP:CISCO-MGX82XX-DSX1-MIB.lineNum (Repeated)	Mandatory	Integer
	SNMP:CISCO-MGX82XX-DSX1-MIB.lineCoding	Optional	Integer
	SNMP:CISCO-MGX82XX-DSX1-MIB.lineLength	Optional	Integer
	SNMP:CISCO-MGX82XX-DSX1-MIB.lineXmtClockSource	Optional	Integer
	SNMP:CISCO-MGX82XX-DSX1-MIB.lineType	Optional	Integer
	SNMP:CISCO-MGX82XX-DSX1-MIB.lineLoopbackCodeDetecti on	Optional	Integer

Table 6-25 ModifyDS1Line Attributes (continued)

CLI	MIB attributes	Mandatory/Optional	Value
Cnftrunkcond	SNMP:CISCO-MGX82XX-DSX1-MIB.lineNum (Repeated)	Mandatory	Integer
	SNMP:CISCO-MGX82XX-DSX1-MIB.vismTrunkConditionEnable	Optional	Integer
Cnflntoneplan	SNMP:CISCO-MGX82XX-DSX1-MIB.lineNum (Repeated)	Mandatory	Integer
	SNMP:CISCO-MGX82XX-DSX1-MIB.vismDsx1TonePlanRegion	Optional	Display String
	SNMP:CISCO-MGX82XX-DSX1-MIB.vismDsx1TonePlanVersion	Optional	Integer
Cnfallm	SNMP:CISCO-MGX82XX-DSX1-MIB.lineNum (Repeated)	Mandatory	Integer
	SNMP:CISCO-MGX82XX-DSX1-MIB.redSeverity	Optional	Integer
	SNMP:CISCO-MGX82XX-DSX1-MIB.rAISeverity	Optional	Integer
	SNMP:CISCO-MGX82XX-DSX1-MIB.nEAlarmUpCount	Optional	Integer
	SNMP:CISCO-MGX82XX-DSX1-MIB.nEAlarmDownCount	Optional	Integer
	SNMP:CISCO-MGX82XX-DSX1-MIB.nEAlarmThreshold	Optional	Integer
	SNMP:CISCO-MGX82XX-DSX1-MIB.fEAlarmUpCount	Optional	Integer
	SNMP:CISCO-MGX82XX-DSX1-MIB.fEAlarmDownCount	Optional	Integer
cnfecanenable	SNMP:CISCO-MGX82XX-DSX1-MIB.vismEcanEnabled	Optional	Integer
	SNMP:CISCO-MGX82XX-DSX1-MIB.vismEcanREC	Optional	Integer
cnfecantail	SNMP:CISCO-MGX82XX-DSX1-MIB.vismEcanTail	Optional	Integer
Cnfcompvad	SNMP:CISCO-MGX82XX-DSX1-MIB.vismCompCnfVAD	Optional	Integer
cnflndigitorder	SNMP:CISCO-MGX82XX-DSX1-MIB.vismDsx1TxDigitOrder	Optional	Integer
cnflnringback	SNMP:CISCO-MGX82XX-DSX1-MIB.vismDsx1RemoteRingback	Optional	Integer
cnflntonetimeout	SNMP:CISCO-MGX82XX-DSX1-MIB.vismDsx1RemoteRingback	Optional	Integer
	SNMP:CISCO-MGX82XX-DSX1-MIB.vismDsx1RingingTO	Optional	Integer
	SNMP:CISCO-MGX82XX-DSX1-MIB.vismDsx1RingBackTO	Optional	Integer
	SNMP:CISCO-MGX82XX-DSX1-MIB.vismDsx1BusyTO	Optional	Integer
	SNMP:CISCO-MGX82XX-DSX1-MIB.vismDsx1ReorderTO	Optional	Integer
	SNMP:CISCO-MGX82XX-DSX1-MIB.vismDsx1DialTO	Optional	Integer
	SNMP:CISCO-MGX82XX-DSX1-MIB.vismDsx1StutterDialTO	Optional	Integer
SNMP:CISCO-MGX82XX-DSX1-MIB.vismDsx1OffHookAlertTO	Optional	Integer	

Example:

```

BULKACTION
cmgmv:/CMGM_Site_default/172.18.101.80/VISM_PR_Slot_11
<BULKACTION><ACTIONNAME>ModifyDS1LineAction</ACTIONNAME><MO
identity="CMGMVVISM"><OA
name="PATH">cmgmv:/CMGM_Site_default/172.18.101.80/VISM_PR_Slot_11</OA><OA
name="SNMP:CISCO-MGX82XX-DSX1-MIB.lineNum">1</OA><OA
name="SNMP:CISCO-MGX82XX-DSX1-MIB.lineCoding">2</OA><OA
name="SNMP:CISCO-MGX82XX-DSX1-MIB.lineLength">11</OA><OA
name="SNMP:CISCO-MGX82XX-DSX1-MIB.lineXmtClockSource">1</OA><OA
name="SNMP:CISCO-MGX82XX-DSX1-MIB.lineType">1</OA><OA
name="SNMP:CISCO-MGX82XX-DSX1-MIB.lineLoopbackCodeDetection">2</OA><OA
name="SNMP:CISCO-MGX82XX-DSX1-MIB.vismLineNum">1</OA><OA
name="SNMP:CISCO-MGX82XX-DSX1-MIB.vismTrunkConditionEnable">1</OA><OA
name="SNMP:CISCO-MGX82XX-DSX1-MIB.vismDsxlTonePlanRegion">Japan</OA><OA
name="SNMP:CISCO-MGX82XX-DSX1-
MIB.vismDsxlTonePlanVersion">1</OA></MO></BULKACTION>

```

DeleteDS1Line

The following table describes the attribute(s) associated with the DeleteDS1Line action.

Table 6-26 DeleteDS1Line Attributes

CLI	MIB attributes	Mandatory/Optional	Value Type
delln	SNMP:CISCO-MGX82XX-DSX1-MIB.lineNum	Mandatory	Integer

Example:

```

BULKACTION
cmgmv:/CMGM_Site_default/172.18.101.80/VISM_PR_Slot_11
<BULKACTION><ACTIONNAME>DeleteDS1LineAction</ACTIONNAME><MO
identity="CMGMVVISM"><OA
name="PATH">cmgmv:/CMGM_Site_default/172.18.101.80/VISM_PR_Slot_11</OA><OA
name="SNMP:CISCO-MGX82XX-DSX1-MIB.lineNum">6</OA></MO></BULKACTION>

```

AddEndpoints

The following table describes the attribute(s) associated with the AddEndpoints action.

Table 6-27 AddEndpoints Attributes

CLI	MIB attributes	Mandatory/Optional	Value
Addendpts	LocalDB:Cmgmvmodule.startEndPointNumber	Mandatory	Integer
	LocalDB:Cmgmvmodule.startDs1LineNumber	Mandatory	Integer
	LocalDB:Cmgmvmodule.startDs0Number	Mandatory	Integer
	LocalDB:Cmgmvmodule.TotalEndpoints	Mandatory	Integer
	LocalDB:Cmgmvmodule.ds1LineType	Mandatory	Integer
Cnfcasendpt	SNMP:CISCO-WAN-AXIPOP-MIB.ds0CasVariantName	Optional	String
Cnfcasparamsource	SNMP:CISCO-WAN-AXIPOP-MIB.ds0CasParameterSource	Optional	Integer
cnfcasonhooktime	SNMP:CISCO-WAN-AXIPOP-MIB.ds0CasOnHookMinMakeTime	Optional	Integer
cnfcasoffhooktime	SNMP:CISCO-WAN-AXIPOP-MIB.ds0CasOffHookMinMakeTime	Optional	Integer
cnfcaswinktime	SNMP:CISCO-WAN-AXIPOP-MIB.ds0CasWinkMinMakeTime	Optional	Integer
	SNMP:CISCO-WAN-AXIPOP-MIB.ds0CasWinkMaxMakeTime	Optional	Integer
	SNMP:CISCO-WAN-AXIPOP-MIB.ds0CasWinkBreakTime	Optional	Integer
cnfcasglaretime	SNMP:CISCO-WAN-AXIPOP-MIB.ds0CasGlareTime	Optional	Integer
cnfcasguardtime	SNMP:CISCO-WAN-AXIPOP-MIB.ds0CasGaurdTime	Optional	Integer
cnfcasdialdelay	SNMP:CISCO-WAN-AXIPOP-MIB.ds0CasDelayImmedStart	Optional	Integer
Cnfcasflashtime	SNMP:CISCO-WAN-AXIPOP-MIB.ds0CasMinDelayDialTime	Optional	Integer
	SNMP:CISCO-WAN-AXIPOP-MIB.ds0CasFlashMaxMakeTime	Optional	Integer
cnfcascode	SNMP:CISCO-WAN-AXIPOP-MIB.ds0IdleCode	Optional	Integer
	SNMP:CISCO-WAN-AXIPOP-MIB.ds0SeizedCode	Optional	Integer
Cnfdsolocalcas	SNMP:CISCO-WAN-AXIPOP-MIB.ds0InsertLocalCas	Optional	Integer
	SNMP:CISCO-WAN-AXIPOP-MIB.ds0LocalCasPattern	Optional	Integer
Cnfcasglareattrib	SNMP:CISCO-WAN-AXIPOP-MIB.ds0CasGlarePolicy	Optional	Integer
	SNMP:CISCO-WAN-AXIPOP-MIB.ds0CasDirectionality	Optional	Integer
Cnfcaspackage	SNMP:CISCO-WAN-AXIPOP-MIB.ds0CasIncomingMgcpPackage	Optional	String
	SNMP:CISCO-WAN-AXIPOP-MIB.ds0CasOutgoingMgcpPackage	Optional	String
Cnfdsoloop	SNMP:CISCO-WAN-AXIPOP-MIB.ds0LoopbackCommand	Optional	Integer
Cnfdsomusicthreshold	SNMP:CISCO-WAN-AXIPOP-MIB.ds0MusicThreshold	Optional	Integer
Cnfdsogain	SNMP:CISCO-WAN-AXIPOP-MIB.ds0InputGain	Optional	Integer
	SNMP:CISCO-WAN-AXIPOP-MIB.ds0OutputAttenuation	Optional	Integer

Example:

```

BULKACTION
cmgmv:/CMGM_Site_default/172.18.101.80/VISM_PR_Slot_11
<BULKACTION><ACTIONNAME>AddEndPointsAction</ACTIONNAME><MO
identity="CMGMVVISM"><OA
name="PATH">cmgmv:/CMGM_Site_default/172.18.101.80/VISM_PR_Slot_11</OA><OA
name="LocalDB:Cmgmvmodule.startEndPointNumber">1</OA><OA
name="LocalDB:Cmgmvmodule.startDs1LineNumber">6</OA><OA
name="LocalDB:Cmgmvmodule.startDs0Number">1</OA><OA
name="LocalDB:Cmgmvmodule.TotalEndPoints">24</OA><OA
name="LocalDB:Cmgmvmodule.ds1LineType">1</OA><OA
name="SNMP:CISCO-WAN-AXIPOP-MIB.ds0CasParameterSource">1</OA><OA
name="SNMP:CISCO-WAN-AXIPOP-MIB.ds0CasOnHookMinMakeTime">100</OA><OA
name="SNMP:CISCO-WAN-AXIPOP-MIB.ds0CasOffHookMinMakeTime">100</OA><OA
name="SNMP:CISCO-WAN-AXIPOP-MIB.ds0CasWinkMinMakeTime">100</OA><OA
name="SNMP:CISCO-WAN-AXIPOP-MIB.ds0CasWinkMaxMakeTime">100</OA><OA
name="SNMP:CISCO-WAN-AXIPOP-MIB.ds0CasWinkBreakTime">100</OA><OA
name="SNMP:CISCO-WAN-AXIPOP-MIB.ds0CasGlareTime">100</OA><OA
name="SNMP:CISCO-WAN-AXIPOP-MIB.ds0CasGaurdTime">100</OA><OA
name="SNMP:CISCO-WAN-AXIPOP-MIB.ds0CasDelayImmedStart">300</OA><OA
name="SNMP:CISCO-WAN-AXIPOP-MIB.ds0CasMinDelayDialTime">100</OA><OA
name="SNMP:CISCO-WAN-AXIPOP-MIB.ds0CasFlashMaxMakeTime">1400</OA><OA
name="SNMP:CISCO-WAN-AXIPOP-MIB.ds0IdleCode">0</OA><OA
name="SNMP:CISCO-WAN-AXIPOP-MIB.ds0SeizedCode">15</OA><OA
name="SNMP:CISCO-WAN-AXIPOP-MIB.ds0InsertLocalCas">1</OA><OA
name="SNMP:CISCO-WAN-AXIPOP-MIB.ds0LocalCasPattern">15</OA><OA
name="SNMP:CISCO-WAN-AXIPOP-MIB.ds0CasGlarePolicy">1</OA><OA
name="SNMP:CISCO-WAN-AXIPOP-MIB.ds0CasDirectionality">1</OA><OA
name="SNMP:CISCO-WAN-AXIPOP-MIB.ds0CasIncomingMgcpPackage">A</OA><OA
name="SNMP:CISCO-WAN-AXIPOP-MIB.ds0CasOutgoingMgcpPackage">A</OA><OA
name="SNMP:CISCO-WAN-AXIPOP-MIB.ds0LoopbackCommand">1</OA><OA
name="SNMP:CISCO-WAN-AXIPOP-MIB.ds0InputGain">0</OA><OA
name="SNMP:CISCO-WAN-AXIPOP-MIB.ds0OutputAttenuation">0</OA></MO><BULKACTION>

```

PTC will not send the above MIB attributes to Cisco MGM. The following attributes will be sent to Cisco MGM as part of this action:

- StartEndPointNumber
- LineNum
- StartDs0Number
- TotalEndPoints

Cisco MGM should generate the above MIB attributes based on the input parameters to Cisco MGM and add the required number of end points in one action.

To put it in simple terms, the requirement on Cisco MGM is to simulate the “addendpts” cli of VISM.

ModifyEndPoints

The following table describes the attribute(s) associated with the ModifyEndPoints action.

Table 6-28 *ModifyEndPoints Attributes*

CLI	MIB attributes	Mandatory/Optional	Value
Cnfcasendpt	LocalDB:Cmgmvmodule.startDs1LineNumber	Mandatory	Integer
	LocalDB:Cmgmvmodule.startDs0Number	Mandatory	Integer
	LocalDB:Cmgmvmodule.TotalEndPoints	Mandatory	Integer
	LocalDB:Cmgmvmodule.ds1LineType	Mandatory	Integer
	SNMP:CISCO-WAN-AXIPOP-MIB.ds0CasVariantName	Optional	String
Cnfcasparamsource	SNMP:CISCO-WAN-AXIPOP-MIB.ds0CasParameterSource	Optional	Integer
cnfcasonhooktime	SNMP:CISCO-WAN-AXIPOP-MIB.ds0CasOnHookMinMakeTime	Optional	Integer
cnfcasoffhooktime	SNMP:CISCO-WAN-AXIPOP-MIB.ds0CasOffHookMinMakeTime	Optional	Integer
cnfcaswinktime	SNMP:CISCO-WAN-AXIPOP-MIB.ds0CasWinkMinMakeTime	Optional	Integer
	SNMP:CISCO-WAN-AXIPOP-MIB.ds0CasWinkMaxMakeTime	Optional	Integer
	SNMP:CISCO-WAN-AXIPOP-MIB.ds0CasWinkBreakTime	Optional	Integer
cnfcasglaretime	SNMP:CISCO-WAN-AXIPOP-MIB.ds0CasGlareTime	Optional	Integer
cnfcasguardtime	SNMP:CISCO-WAN-AXIPOP-MIB.ds0CasGaurdTime	Optional	Integer
cnfcasdialdelay	SNMP:CISCO-WAN-AXIPOP-MIB.ds0CasDelayImmedStart	Optional	Integer
Cnfcasflashtime	SNMP:CISCO-WAN-AXIPOP-MIB.ds0CasMinDelayDialTime	Optional	Integer
	SNMP:CISCO-WAN-AXIPOP-MIB.ds0CasFlashMaxMakeTime	Optional	Integer
Cnfcascode	SNMP:CISCO-WAN-AXIPOP-MIB.ds0IdleCode	Optional	Integer
	SNMP:CISCO-WAN-AXIPOP-MIB.ds0SeizedCode	Optional	Integer
Cnfdsolocalcas	SNMP:CISCO-WAN-AXIPOP-MIB.ds0InsertLocalCas	Optional	Integer
	SNMP:CISCO-WAN-AXIPOP-MIB.ds0LocalCasPattern	Optional	Integer
Cnfcasglareattrib	SNMP:CISCO-WAN-AXIPOP-MIB.ds0CasGlarePolicy	Optional	Integer
	SNMP:CISCO-WAN-AXIPOP-MIB.ds0CasDirectionality	Optional	Integer
Cnfcaspackage	SNMP:CISCO-WAN-AXIPOP-MIB.ds0CasIncomingMgcpPackage	Optional	String
	SNMP:CISCO-WAN-AXIPOP-MIB.ds0CasOutgoingMgcpPackage	Optional	String
Cnfdsoloop	SNMP:CISCO-WAN-AXIPOP-MIB.ds0LoopbackCommand	Optional	Integer
Cnfdsomusicthreshold	SNMP:CISCO-WAN-AXIPOP-MIB.ds0MusicThreshold	Optional	Integer
Cnfdsogain	SNMP:CISCO-WAN-AXIPOP-MIB.ds0InputGain	Optional	Integer
	SNMP:CISCO-WAN-AXIPOP-MIB.ds0OutputAttenuation	Optional	Integer

Example:

```

BULKACTION
cmgmv:/CMGM_Site_default/172.18.101.80/VISM_PR_Slot_11
<BULKACTION><ACTIONNAME>ModifyEndPointsAction</ACTIONNAME><MO
identity="CMGMVVISM"><OA
name="PATH">cmgmv:/CMGM_Site_default/172.18.101.80/VISM_PR_Slot_11</OA><OA
name="LocalDB:Cmgmvmodule.startDs1LineNumber">6</OA><OA
name="LocalDB:Cmgmvmodule.startDs0Number">1</OA><OA
name="LocalDB:Cmgmvmodule.TotalEndPoints">24</OA><OA
name="LocalDB:Cmgmvmodule.ds1LineType">1</OA><OA
name="SNMP:CISCO-WAN-AXIPOP-MIB.ds0CasParameterSource">1</OA><OA
name="SNMP:CISCO-WAN-AXIPOP-MIB.ds0CasOnHookMinMakeTime">100</OA><OA
name="SNMP:CISCO-WAN-AXIPOP-MIB.ds0CasOffHookMinMakeTime">100</OA><OA
name="SNMP:CISCO-WAN-AXIPOP-MIB.ds0CasWinkMinMakeTime">100</OA><OA
name="SNMP:CISCO-WAN-AXIPOP-MIB.ds0CasWinkMaxMakeTime">100</OA><OA
name="SNMP:CISCO-WAN-AXIPOP-MIB.ds0CasWinkBreakTime">100</OA><OA
name="SNMP:CISCO-WAN-AXIPOP-MIB.ds0CasGlareTime">100</OA><OA
name="SNMP:CISCO-WAN-AXIPOP-MIB.ds0CasGaurdTime">100</OA><OA
name="SNMP:CISCO-WAN-AXIPOP-MIB.ds0CasDelayImmedStart">300</OA><OA
name="SNMP:CISCO-WAN-AXIPOP-MIB.ds0CasMinDelayDialTime">100</OA><OA
name="SNMP:CISCO-WAN-AXIPOP-MIB.ds0CasFlashMaxMakeTime">1400</OA><OA
name="SNMP:CISCO-WAN-AXIPOP-MIB.ds0IdleCode">0</OA><OA
name="SNMP:CISCO-WAN-AXIPOP-MIB.ds0SeizedCode">15</OA><OA
name="SNMP:CISCO-WAN-AXIPOP-MIB.ds0InsertLocalCas">1</OA><OA
name="SNMP:CISCO-WAN-AXIPOP-MIB.ds0LocalCasPattern">15</OA><OA
name="SNMP:CISCO-WAN-AXIPOP-MIB.ds0CasGlarePolicy">1</OA><OA
name="SNMP:CISCO-WAN-AXIPOP-MIB.ds0CasDirectionality">1</OA><OA
name="SNMP:CISCO-WAN-AXIPOP-MIB.ds0CasIncomingMgcpPackage">A</OA><OA
name="SNMP:CISCO-WAN-AXIPOP-MIB.ds0CasOutgoingMgcpPackage">A</OA><OA
name="SNMP:CISCO-WAN-AXIPOP-MIB.ds0LoopbackCommand">1</OA><OA
name="SNMP:CISCO-WAN-AXIPOP-MIB.ds0InputGain">0</OA><OA
name="SNMP:CISCO-WAN-AXIPOP-MIB.
ds0OutputAttenuation">0</OA></MO><BULKACTION>

```

PTC will not send the dsx0VismCnfTable.ds0IflIndex MIB attributes to Cisco MGM. The following attributes will be sent to Cisco MGM as part of this action:

- StartLineNumber
- StartDS0Number
- TotalEndPoints

Cisco MGM should generate the above MIB attributes based on the input parameters to Cisco MGM and modify the required number of end points in one action.

DeleteEndPoints

The following table describes the attribute(s) associated with the DeleteEndPoints action.

Table 6-29 DeleteEndPoints Attributes

CLI	MIB attributes	Mandatory/Optional	Value Type
Delendpts	LocalDB:Cmgmvmodule.startEndPointNumber	Mandatory	Integer
	LocalDB:Cmgmvmodule.TotalEndPoints	Mandatory	Integer

Example:

```
BULKACTION
cmgmv:/CMGM_Site_default/172.18.101.80/VISM_PR_Slot_11
<BULKACTION><ACTIONNAME>DeleteEndPointsAction</ACTIONNAME><MO
identity="CMGMVVISM"><OA
name="PATH">cmgmv:/CMGM_Site_default/172.18.101.80/VISM_PR_Slot_11</OA><OA
name="LocalDB:Cmgmvmodule.startEndPointNumber">25</OA><OA
name="LocalDB:Cmgmvmodule.TotalEndPoints">24</OA></MO></BULKACTION>
```

PTC will not send the above MIB attributes to Cisco MGM. The following attributes will be sent to Cisco MGM as part of this action:

- StartEndPointNumber
- TotalEndPoints

Cisco MGM should generate the above MIB attributes based on the input parameters to Cisco MGM and delete the required number of end points in one action.

To put it in simple terms, the requirement on Cisco MGM is to simulate the “delendpts” cli of VISM.

VismInitialConfig

The following table describes the attribute(s) associated with the VismInitialConfig action.

Table 6-30 VismInitialConfig Attributes

CLI	MIB attributes	Mandatory/Optional	Value Type
Addport	< No attribute need to be input >	N/A	N/A
Addrseprtn	SNMP:CISCO-WAN-AXIPOP-MIB.vismResPartCtrlrNum	Optional	Integer
Cnfvismip	SNMP:CISCO-WAN-AXIPOP-MIB.vismIpAddress	Optional	IpAddress
	SNMP:CISCO-WAN-AXIPOP-MIB.vismSubNetMask	Optional	IpAddress
	SNMP:CISCO-WAN-AXIPOP-MIB.vismBearerIpAddress	Optional	IpAddress
	SNMP:CISCO-WAN-AXIPOP-MIB.vismBearerSubNetMask	Optional	IpAddress
Cnfxgcpbt	SNMP:CISCO-WAN-AXIPOP-MIB.vismXgcpBearerNetworkType	Optional	Integer
	SNMP:CISCO-WAN-AXIPOP-MIB.vismXgcpBearerVCType	Optional	Integer
	SNMP:CISCO-WAN-AXIPOP-MIB.vismXgcpBearerConnectionType	Optional	Integer
cnfeac + cnfeacparams + cnfconcacparams + cnfvbdpol	SNMP:CISCO-WAN-AXIPOP-MIB.vismCacEnable	Optional	Integer
	SNMP:CISCO-WAN-AXIPOP-MIB.vismVADTolerance	Optional	Integer
	SNMP:CISCO-WAN-AXIPOP-MIB.vismVADDutyCycle	Optional	Integer
	SNMP:CISCO-WAN-AXIPOP-MIB.vismCnfChanNum	Optional	Integer
	SNMP:CISCO-WAN-AXIPOP-MIB.vismChanVADTolerance	Optional	Integer
	SNMP:CISCO-WAN-AXIPOP-MIB.vismChanVADDutyCycle	Optional	Integer
	SNMP:CISCO-WAN-AXIPOP-MIB.vismCacRejectionPolicy	Optional	Integer
cnfgwis	SNMP:CISCO-WAN-MG-MIB.mgAdministrativeStateControl	Optional	Integer

Example:

```

BULKACTION
cmgmV:/CMGM_Site_default/172.18.101.80/VISM_PR_Slot_11
<BULKACTION><ACTIONNAME>VismInitialConfigAction</ACTIONNAME><MO
identity="CMGMVVISM"><OA
name="PATH">cmgmV:/CMGM_Site_default/172.18.101.80/VISM_PR_Slot_11</OA><OA
name="SNMP:CISCO-WAN-AXIPOP-MIB.vismResPartCtrlrNum">2</OA><OA
name="SNMP:CISCO-WAN-AXIPOP-MIB.vismIpAddress">10.52.5.1</OA><OA
name="SNMP:CISCO-WAN-AXIPOP-MIB.vismSubNetMask">255.255.255.0</OA><OA
name="SNMP:CISCO-WAN-AXIPOP-MIB.vismBearerIpAddress">0.0.0.0</OA><OA
name="SNMP:CISCO-WAN-AXIPOP-MIB.vismBearerSubNetMask">255.255.255.0</OA><OA
name="SNMP:CISCO-WAN-AXIPOP-MIB.vismXgcpBearerNetworkType">1</OA><OA
name="SNMP:CISCO-WAN-AXIPOP-MIB.vismXgcpBearerVCType">1</OA><OA
name="SNMP:CISCO-WAN-AXIPOP-MIB.vismXgcpBearerConnectionType">3</OA><OA
name="SNMP:CISCO-WAN-AXIPOP-MIB.vismCacEnable">1</OA><OA name="SNMP:CISCO-WAN-
MG-MIB.mgAdministrativeStateControl">3</OA></MO></BULKACTION>

```

AddPVC

The following table describes the attribute(s) associated with the AddPVC action.

Table 6-31 AddPVC Attributes

CLI	MIB attributes	Mandatory/Optional	Value Type
Addcon	SNMP:CISCO-WAN-AXIPOP-MIB.vismCnfChanNum	Optional	Integer
	SNMP:CISCO-WAN-AXIPOP-MIB.vismChanPreference	Optional	Integer
	SNMP:CISCO-WAN-AXIPOP-MIB.vismChanPvcType	Optional	Integer
	SNMP:CISCO-WAN-AXIPOP-MIB.vismChanApplication	Optional	Integer
	SNMP:CISCO-WAN-AXIPOP-MIB.vismConnPCR	Optional	Integer
	SNMP:CISCO-WAN-AXIPOP-MIB.vismMastership	Optional	Integer
	SNMP:CISCO-WAN-AXIPOP-MIB.vismConnServiceType	Optional	Integer
	SNMP:CISCO-WAN-AXIPOP-MIB.vismChanScrIngress	Optional	Integer
	SNMP:CISCO-WAN-AXIPOP-MIB.vismChanMbsIngress	Optional	Integer
	SNMP:CISCO-WAN-AXIPOP-MIB.vismRemoteVpi	Optional	Integer
	SNMP:CISCO-WAN-AXIPOP-MIB.vismRemoteVci	Optional	Integer
	LocalDB:Cmgmvmodule.pxm1PortNumber (POP1)	Optional	Integer
	LocalDB:BASIS-GENERIC-MIB.moduleSlotNumber (POP2)	Optional	Integer
	LocalDB:Cmgmvmodule.backCardNumber (POP2)	Optional	Integer
	SNMP:CISCO-MGX8800-IF-MAPPING-MIB.cmimIfNumber (POP2)	Optional	Integer
SNMP:CISCO-MGX8800-IF-MAPPING-MIB.cmimIfType (POP2)	Optional	Integer	

Example:

```

BULKACTION
cmgmV: /CMGM_Site_cyberwerx/172.18.101.80/VISM_PR_Slot_11
<BULKACTION><ACTIONNAME>AddPVCAction</ACTIONNAME><MO
identity="CMGMVVISM"><OA
name="PATH">cmgmV: /CMGM_Site_default/172.18.101.80/VISM_PR_Slot_11</OA><OA
name="LocalDB:BASIS-GENERIC-MIB.moduleSlotNumber">7</OA><OA
name="LocalDB:Cmgmvmodule.backCardNumber">2</OA><OA
name="SNMP:CISCO-MGX8800-IF-MAPPING-MIB.cmimIfNumber">1</OA><OA
name="SNMP:CISCO-MGX8800-IF-MAPPING-MIB.cmimIfType">4</OA><OA
name="SNMP:CISCO-WAN-AXIPOP-MIB.vismCnfChanNum">132</OA><OA
name="SNMP:CISCO-WAN-AXIPOP-MIB.vismRemoteVpi">1</OA><OA
name="SNMP:CISCO-WAN-AXIPOP-MIB.vismRemoteVci">132</OA><OA
name="SNMP:CISCO-WAN-AXIPOP-MIB.vismChanPreference">1</OA><OA
name="SNMP:CISCO-WAN-AXIPOP-MIB.vismChanPvcType">2</OA><OA
name="SNMP:CISCO-WAN-AXIPOP-MIB.vismChanApplication">2</OA><OA
name="SNMP:CISCO-WAN-AXIPOP-MIB.vismConnPCR">50</OA><OA
name="SNMP:CISCO-WAN-AXIPOP-MIB.vismMastership">1</OA></MO></BULKACTION>

```

Trap Handling

Trap Mapping

The Cisco Media Gateway Manager 3.0/3.0.1 trap mapping rules are found in the following directory:

`CEMF_ROOT/config/cmgmvCtrl/trapMappingFiles`



Note

Replace *CEMF_ROOT* with the name of the directory where Cisco EMF is installed.

Upon receipt of a trap, the following tasks are performed based on the contents of the trap mapping files:

- Severity mapping
- Object class mapping
- Object mapping
- Varbind morphing

Alarms raised on an appropriate Cisco Media Gateway Manager 3.0/3.0.1 object may be viewed in the Cisco EMF Event Browser. All traps from the Cisco MGX 8000 have a trap severity in the varbinds (moduleTrapAlarmSeverity is defined in the BASIS–GENERIC–MIB). The severity of the trap is mapped to a Cisco EMF severity according to the data in the following table.

Table 6-32 Trap Severity Mapping

Cisco EMF Alarm Severity	Associated Event Color	MGX 8000 Trap Severity Value
Minor	Yellow	minor (1)
Major	Orange	major (2)
Critical	Red	critical (4)
Warning	Cyan	error (5) warning (6) notice (7)
Informational	White	info (8) dont-Care (3)

Clear Correlation Rules

Cisco Media Gateway Manager 3.0/3.0.1 includes clear correlation rules. Clear correlation rules automatically clear traps listed in the Event Browser when the specified criteria is met. Files describing clear correlation rules for each supported packages are available in the following directory:

```
CEMF_ROOT/config/dataload/clearCorrelationRules/
```

For a complete listing of the traps and associated clear correlation rules Cisco Media Gateway Manager 3.0/3.0.1 supports, see the following file:

```
CEMF_ROOT/config/dataload/clearCorrelationRules/cmgmvclearCorrelations
```

For a complete listing of the traps and associated clear correlation rules Cisco BTS supports, see the following file:

```
CEMF_ROOT/config/dataload/clearCorrelationRules/btsClearCorrelations
```

**Note**

Replace *CEMF_ROOT* in the previous statements with the name of the directory where Cisco EMF is installed.

Alarms not found in the clear correlation files are not cleared automatically and require manual clearing.



Cisco Media Gateway Manager 3.0/3.0.1 Attribute Summary

This appendix lists the attribute names and values for the following classes applicable to the Cisco Media Gateway Manager 3.0/3.0.1. To find full information on classes, object attributes, and types, please refer to the following directory on the installed system or on the Cisco Media Gateway Manager CD-ROM: `\cmgm\packages\cmgmvpkgm\reloc\config\C\help`

CMGMVPopeyeChassis Class

Table A-1 CMGMVPopeyeChassis Class Attributes

Name	Module	Object	Type	Section	Access
RTM-MIB.managerIPAddress	trapConfigEntry	managerIPAddress	IpAddress	SNMP, LocalDB	read-write

CMGMVPop1Chassis Class

Table A-2 CMGMVPop1Chassis Class Attributes

Name	Module	Object	Type	Section	Access
BASIS-SHELF-MIB.apsIpAddresses	basisShelf	apsIpAddress	IpAddress	SNMP	read-write
BASIS-SHELF-MIB.axisFeederTkNo	basisShelf	axisFeederTkNo	INTEGER	SNMP	read-write
BASIS-SHELF-MIB.axisSvcBilling	basisShelf	axisSvcBilling	INTEGER	SNMP	read-write
BASIS-SHELF-MIB.axisSvcBillingBucketInterval	basisShelf	axisSvcBillingBucketInterval	INTEGER	SNMP	read-write

Table A-2 CMGMVPop1Chassis Class Attributes (continued)

BASIS-SHELF-MIB.axisSvcBillingColInterval	basisShelf	axisSvcBillingColInterval	INTEGER	SNMP	read-write
BASIS-SHELF-MIB.redundantApsIpAddress	basisShelf	redundantApsIpAddress	IpAddress	SNMP	read-write
BASIS-SHELF-MIB.shelfAlarmCardBitMap	basisShelf	shelfAlarmCardBitMap	INTEGER	SNMP	read-only
BASIS-SHELF-MIB.shelfBkplnSerialNum	basisShelf	shelfBkplnSerialNum	DisplayString	SNMP	read-only
BASIS-SHELF-MIB.shelfBkPlnType	basisShelf	shelfBkPlnType	INTEGER	SNMP	read-only
BASIS-SHELF-MIB.shelfDate	basisShelf	shelfDate	DisplayString	SNMP	read-write
BASIS-SHELF-MIB.shelfIntegratedAlarm	basisShelf	shelfIntegratedAlarm	INTEGER	SNMP	read-only
BASIS-SHELF-MIB.shelfNodeName	basisShelf	shelfNodeName	DisplayString	SNMP	read-write
BASIS-SHELF-MIB.shelfNum	shelfEntry	shelfNum	INTEGER	SNMP, LocalDB	read-only
BASIS-SHELF-MIB.shelfNumOfValidEntries	basisShelf	shelfNumOfValidEntries	INTEGER	SNMP	read-only
BASIS-SHELF-MIB.shelfPowerSupplyVoltage	basisShelf	shelfPowerSupplyVoltage	INTEGER	SNMP	read-only
BASIS-SHELF-MIB.shelfTime	basisShelf	shelfTime	DisplayString	SNMP	read-write
BASIS-SHELF-MIB.shelfTmZn	basisShelf	shelfTmZn	INTEGER	SNMP	read-write
BASIS-SHELF-MIB.shelfTmZnGMTOff	basisShelf	shelfTmZnGMTOff	INTEGER	SNMP	read-write
BASIS-SHELF-MIB.statsBucketInterval	basisShelf	statsBucketInterval	INTEGER	SNMP	read-only
BASIS-SHELF-MIB.statsCollectionInterval	basisShelf	statsCollectionInterval	INTEGER	SNMP	read-only
BASIS-SHELF-MIB.statsMasterIpAddress	basisShelf	statsMasterIpAddress	IpAddress	SNMP	read-only
BASIS-SHELF-MIB.userName	basisShelf	userName	DisplayString	SNMP	read-only
CmgmvCtrl-MIB.cmgmvChassisState	cmgmvctrl	cmgmvChassisState	DisplayString	SNMP, cmgmvCtrlDB Section	read-write
CmgmvCtrl-MIB.cmgmvReadOnlyCommString	cmgmvctrl	cmgmvReadOnlyCommString	DisplayString	SNMP, LocalDB	read-write
CmgmvCtrl-MIB.cmgmvReadWriteCommString	cmgmvctrl	cmgmvReadWriteCommString	DisplayString	SNMP, LocalDB	read-write
CmgmvCtrl-MIB.configSRAction	cmgmvctrl	configSRAction	DisplayString	SNMP, cmgmvCtrlDB Section	read-write

Table A-2 CMGMVPop1Chassis Class Attributes (continued)

CmgmvCtrl-MIB.configSRBackupID	cmgmvctrl	configSRBackupID	DisplayString	SNMP, cmgmvCtrlDB Section	read-write
CmgmvCtrl-MIB.configSRLogin	cmgmvctrl	configSRLogin	DisplayString	SNMP, cmgmvCtrlDB Section	read-write
CmgmvCtrl-MIB.configSRPassword	cmgmvctrl	configSRPassword	DisplayString	SNMP, cmgmvCtrlDB Section	read-write
CmgmvCtrl-MIB.cviewServerIPAddress	cmgmvctrl	cviewServerIPAddress	DisplayString	SNMP, cmgmvCtrlDB Section	read-write
CmgmvCtrl-MIB.imageDownloadSrcDirectory	cmgmvctrl	imageDownloadSrcDirectory	DisplayString	SNMP, cmgmvCtrlDB Section	read-write
CmgmvCtrl-MIB.imgDnldVismSlotNumber	cmgmvctrl	imgDnldVismSlotNumber	DisplayString	SNMP, cmgmvCtrlDB Section	read-write
CmgmvCtrl-MIB.lastSyncUpTimestamp	cmgmvctrl	lastSyncUpTimestamp	DisplayString	SNMP, cmgmvCtrlDB Section	read-write
CmgmvCtrl-MIB.pxmSrcFile	cmgmvctrl	pxmSrcFile	DisplayString	SNMP, cmgmvCtrlDB Section	read-write
CmgmvCtrl-MIB.rpmSrcFile	cmgmvctrl	rpmSrcFile	DisplayString	SNMP, cmgmvCtrlDB Section	read-write
CmgmvCtrl-MIB.trapRegOp	cmgmvctrl	trapRegOp	DisplayString	SNMP, cmgmvCtrlDB Section	read-write
CmgmvCtrl-MIB.vismSrcFile	cmgmvctrl	vismSrcFile	DisplayString	SNMP, cmgmvCtrlDB Section	read-write
RTM-MIB.managerIPAddress	trapConfigEntry	managerIPAddress	IpAddress	SNMP, LocalDB	read-write

CMGMVPop2Chassis Class

Table A-3 CMGMVPop2Chassis Class Attributes

Name	Module	Object	Type	Section	Access
ENTITY-MIB.entPhysicalIndex	entPhysicalEntry	entPhysicalIndex	PhysicalIndex	SNMP, LocalDB	not-accessible
RTM-MIB.managerIPAddress	trapConfigEntry	managerIPAddress	IpAddress	SNMP, LocalDB	read-write

CMGMVPop1Card Class

Table A-4 CMGMVPop1Card Class Attributes

Name	Module	Object	Type	Section	Access
BASIS-GENERIC-MIB.cardIntegratedAlarmBitMap	cardInformation	cardIntegratedAlarmBitMap	INTEGER	SNMP	read-only
BASIS-GENERIC-MIB.cleiCode	cardInformation	cleiCode	DisplayString	SNMP	read-only
BASIS-GENERIC-MIB.configChangeObjectIndex	cardInformation	configChangeObjectIndex	INTEGER	SNMP	read-only
BASIS-GENERIC-MIB.configChangeStatus	cardInformation	configChangeStatus	INTEGER	SNMP	read-only
BASIS-GENERIC-MIB.configChangeTypeBitMap	cardInformation	configChangeTypeBitMap	INTEGER	SNMP	read-only
BASIS-GENERIC-MIB.finalTestTechnician	cardInformation	finalTestTechnician	DisplayString	SNMP	read-only
BASIS-GENERIC-MIB.functionModuleDescription	cardInformation	functionModuleDescription	DisplayString	SNMP	read-only
BASIS-GENERIC-MIB.functionModuleFWRev	cardInformation	functionModuleFWRev	DisplayString	SNMP	read-only
BASIS-GENERIC-MIB.functionModuleHWRev	cardInformation	functionModuleHWRev	DisplayString	SNMP	read-only
BASIS-GENERIC-MIB.functionModuleResetReason	cardInformation	functionModuleResetReason	INTEGER	SNMP	read-only
BASIS-GENERIC-MIB.functionModuleSerialNum	cardInformation	functionModuleSerialNum	DisplayString	SNMP	read-only
BASIS-GENERIC-MIB.functionModuleState	cardInformation	functionModuleState	INTEGER	SNMP	read-only
BASIS-GENERIC-MIB.functionModuleType	cardInformation	functionModuleType	INTEGER	SNMP	read-only

Table A-4 CMGMVPop1Card Class Attributes (continued)

BASIS-GENERIC-MIB.hwFailures	cardInformation	hwFailures	INTEGER	SNMP	read-only
BASIS-GENERIC-MIB.hwHistory	cardInformation	hwHistory	INTEGER	SNMP	read-only
BASIS-GENERIC-MIB.lineModuleDescription	cardInformation	lineModuleDescription	DisplayString	SNMP	read-only
BASIS-GENERIC-MIB.lineModuleFWRev	cardInformation	lineModuleFWRev	DisplayString	SNMP	read-only
BASIS-GENERIC-MIB.lineModuleHWRev	cardInformation	lineModuleHWRev	DisplayString	SNMP	read-only
BASIS-GENERIC-MIB.lineModuleSerialNum	cardInformation	lineModuleSerialNum	DisplayString	SNMP	read-only
BASIS-GENERIC-MIB.lineModuleState	cardInformation	lineModuleState	INTEGER	SNMP	read-only
BASIS-GENERIC-MIB.lineModuleType	cardInformation	lineModuleType	INTEGER	SNMP	read-only
BASIS-GENERIC-MIB.macAddrBlkSize	cardInformation	macAddrBlkSize	INTEGER	SNMP	read-only
BASIS-GENERIC-MIB.macAddress	cardInformation	macAddress	DisplayString	SNMP	read-only
BASIS-GENERIC-MIB.mibVersionNumber	cardInformation	mibVersionNumber	INTEGER	SNMP	read-only
BASIS-GENERIC-MIB.moduleSlotNumber	cardInformation	moduleSlotNumber	INTEGER	SNMP	read-only
BASIS-GENERIC-MIB.moduleTrapAlarmSeverity	cardInformation	moduleTrapAlarmSeverity	INTEGER	SNMP	read-only
BASIS-GENERIC-MIB.secLineModuleDescription	cardInformation	secLineModuleDescription	DisplayString	SNMP	read-only
BASIS-GENERIC-MIB.secLineModuleFWRev	cardInformation	secLineModuleFWRev	DisplayString	SNMP	read-only
BASIS-GENERIC-MIB.secLineModuleHWRev	cardInformation	secLineModuleHWRev	DisplayString	SNMP	read-only
BASIS-GENERIC-MIB.secLineModuleSerialNum	cardInformation	secLineModuleSerialNum	DisplayString	SNMP	read-only
BASIS-GENERIC-MIB.secLineModuleState	cardInformation	secLineModuleState	INTEGER	SNMP	read-only
BASIS-GENERIC-MIB.secLineModuleType	cardInformation	secLineModuleType	INTEGER	SNMP	read-only
CmgmvCtrl-MIB.logicalSlot	cmgmvctrl	logicalSlot	DisplayString	SNMP, cmgmvCtrlDB Section	read-write

CMGMVSRM Class

Table A-5 CMGMVSRM Class Attributes

Name	Module	Object	Type	Section	Access
BASIS-GENERIC-MIB.cardIntegratedAlarmBitMap	cardInformation	cardIntegratedAlarmBitMap	INTEGER	SNMP	read-only
BASIS-GENERIC-MIB.cleiCode	cardInformation	cleiCode	DisplayString	SNMP	read-only
BASIS-GENERIC-MIB.configChangeObjectIndex	cardInformation	configChangeObjectIndex	INTEGER	SNMP	read-only
BASIS-GENERIC-MIB.configChangeStatus	cardInformation	configChangeStatus	INTEGER	SNMP	read-only
BASIS-GENERIC-MIB.configChangeTypeBitMap	cardInformation	configChangeTypeBitMap	INTEGER	SNMP	read-only
BASIS-GENERIC-MIB.finalTestTechnician	cardInformation	finalTestTechnician	DisplayString	SNMP	read-only
BASIS-GENERIC-MIB.functionModuleDescription	cardInformation	functionModuleDescription	DisplayString	SNMP	read-only
BASIS-GENERIC-MIB.functionModuleFWRev	cardInformation	functionModuleFWRev	DisplayString	SNMP	read-only
BASIS-GENERIC-MIB.functionModuleHWRev	cardInformation	functionModuleHWRev	DisplayString	SNMP	read-only
BASIS-GENERIC-MIB.functionModuleResetReason	cardInformation	functionModuleResetReason	INTEGER	SNMP	read-only
BASIS-GENERIC-MIB.functionModuleSerialNum	cardInformation	functionModuleSerialNum	DisplayString	SNMP	read-only
BASIS-GENERIC-MIB.functionModuleState	cardInformation	functionModuleState	INTEGER	SNMP	read-only
BASIS-GENERIC-MIB.functionModuleType	cardInformation	functionModuleType	INTEGER	SNMP	read-only
BASIS-GENERIC-MIB.hwFailures	cardInformation	hwFailures	INTEGER	SNMP	read-only
BASIS-GENERIC-MIB.hwHistory	cardInformation	hwHistory	INTEGER	SNMP	read-only
BASIS-GENERIC-MIB.lineModuleDescription	cardInformation	lineModuleDescription	DisplayString	SNMP	read-only
BASIS-GENERIC-MIB.lineModuleFWRev	cardInformation	lineModuleFWRev	DisplayString	SNMP	read-only
BASIS-GENERIC-MIB.lineModuleHWRev	cardInformation	lineModuleHWRev	DisplayString	SNMP	read-only
BASIS-GENERIC-MIB.lineModuleSerialNum	cardInformation	lineModuleSerialNum	DisplayString	SNMP	read-only
BASIS-GENERIC-MIB.lineModuleState	cardInformation	lineModuleState	INTEGER	SNMP	read-only

Table A-5 CMGMVSRM Class Attributes (continued)

BASIS-GENERIC-MIB.lineModuleType	cardInformation	lineModuleType	INTEGER	SNMP	read-only
BASIS-GENERIC-MIB.macAddrBlkSize	cardInformation	macAddrBlkSize	INTEGER	SNMP	read-only
BASIS-GENERIC-MIB.macAddress	cardInformation	macAddress	DisplayString	SNMP	read-only
BASIS-GENERIC-MIB.mibVersionNumber	cardInformation	mibVersionNumber	INTEGER	SNMP	read-only
BASIS-GENERIC-MIB.moduleSlotNumber	cardInformation	moduleSlotNumber	INTEGER	SNMP	read-only
BASIS-GENERIC-MIB.moduleTrapAlarmSeverity	cardInformation	moduleTrapAlarmSeverity	INTEGER	SNMP	read-only
BASIS-GENERIC-MIB.secLineModuleDescription	cardInformation	secLineModuleDescription	DisplayString	SNMP	read-only
BASIS-GENERIC-MIB.secLineModuleFWRev	cardInformation	secLineModuleFWRev	DisplayString	SNMP	read-only
BASIS-GENERIC-MIB.secLineModuleHWRev	cardInformation	secLineModuleHWRev	DisplayString	SNMP	read-only
BASIS-GENERIC-MIB.secLineModuleSerialNum	cardInformation	secLineModuleSerialNum	DisplayString	SNMP	read-only
BASIS-GENERIC-MIB.secLineModuleState	cardInformation	secLineModuleState	INTEGER	SNMP	read-only
BASIS-GENERIC-MIB.secLineModuleType	cardInformation	secLineModuleType	INTEGER	SNMP	read-only
CmgmvCtrl-MIB.logicalSlot	cmgmvctrl	logicalSlot	DisplayString	SNMP, cmgmvCtrlDB Section	read-write

CMGMVSRM-E Class

Table A-6 CMGMVSRM-E Class Attributes

Name	Module	Object	Type	Section	Access
BASIS-GENERIC-MIB.cardIntegratedAlarmBitMap	cardInformation	cardIntegratedAlarmBitMap	INTEGER	SNMP	read-only
BASIS-GENERIC-MIB.cleiCode	cardInformation	cleiCode	DisplayString	SNMP	read-only
BASIS-GENERIC-MIB.configChangeObjectIndex	cardInformation	configChangeObjectIndex	INTEGER	SNMP	read-only
BASIS-GENERIC-MIB.configChangeStatus	cardInformation	configChangeStatus	INTEGER	SNMP	read-only

Table A-6 CMGMVSRM-E Class Attributes (continued)

BASIS-GENERIC-MIB.configChangeTypeBitMap	cardInformation	configChangeTypeBitMap	INTEGER	SNMP	read-only
BASIS-GENERIC-MIB.finalTestTechnician	cardInformation	finalTestTechnician	DisplayString	SNMP	read-only
BASIS-GENERIC-MIB.functionModuleDescription	cardInformation	functionModuleDescription	DisplayString	SNMP	read-only
BASIS-GENERIC-MIB.functionModuleFWRev	cardInformation	functionModuleFWRev	DisplayString	SNMP	read-only
BASIS-GENERIC-MIB.functionModuleHWRev	cardInformation	functionModuleHWRev	DisplayString	SNMP	read-only
BASIS-GENERIC-MIB.functionModuleResetReason	cardInformation	functionModuleResetReason	INTEGER	SNMP	read-only
BASIS-GENERIC-MIB.functionModuleSerialNum	cardInformation	functionModuleSerialNum	DisplayString	SNMP	read-only
BASIS-GENERIC-MIB.functionModuleState	cardInformation	functionModuleState	INTEGER	SNMP	read-only
BASIS-GENERIC-MIB.functionModuleType	cardInformation	functionModuleType	INTEGER	SNMP	read-only
BASIS-GENERIC-MIB.hwFailures	cardInformation	hwFailures	INTEGER	SNMP	read-only
BASIS-GENERIC-MIB.hwHistory	cardInformation	hwHistory	INTEGER	SNMP	read-only
BASIS-GENERIC-MIB.lineModuleDescription	cardInformation	lineModuleDescription	DisplayString	SNMP	read-only
BASIS-GENERIC-MIB.lineModuleFWRev	cardInformation	lineModuleFWRev	DisplayString	SNMP	read-only
BASIS-GENERIC-MIB.lineModuleHWRev	cardInformation	lineModuleHWRev	DisplayString	SNMP	read-only
BASIS-GENERIC-MIB.lineModuleSerialNum	cardInformation	lineModuleSerialNum	DisplayString	SNMP	read-only
BASIS-GENERIC-MIB.lineModuleState	cardInformation	lineModuleState	INTEGER	SNMP	read-only
BASIS-GENERIC-MIB.lineModuleType	cardInformation	lineModuleType	INTEGER	SNMP	read-only
BASIS-GENERIC-MIB.macAddrBlkSize	cardInformation	macAddrBlkSize	INTEGER	SNMP	read-only
BASIS-GENERIC-MIB.macAddress	cardInformation	macAddress	DisplayString	SNMP	read-only
BASIS-GENERIC-MIB.mibVersionNumber	cardInformation	mibVersionNumber	INTEGER	SNMP	read-only
BASIS-GENERIC-MIB.moduleSlotNumber	cardInformation	moduleSlotNumber	INTEGER	SNMP	read-only

Table A-6 CMGMVSRM-E Class Attributes (continued)

BASIS-GENERIC-MIB.moduleTrapAlarmSeverity	cardInformation	moduleTrapAlarmSeverity	INTEGER	SNMP	read-only
BASIS-GENERIC-MIB.secLineModuleDescription	cardInformation	secLineModuleDescription	DisplayString	SNMP	read-only
BASIS-GENERIC-MIB.secLineModuleFWRev	cardInformation	secLineModuleFWRev	DisplayString	SNMP	read-only
BASIS-GENERIC-MIB.secLineModuleHWRev	cardInformation	secLineModuleHWRev	DisplayString	SNMP	read-only
BASIS-GENERIC-MIB.secLineModuleSerialNum	cardInformation	secLineModuleSerialNum	DisplayString	SNMP	read-only
BASIS-GENERIC-MIB.secLineModuleState	cardInformation	secLineModuleState	INTEGER	SNMP	read-only
BASIS-GENERIC-MIB.secLineModuleType	cardInformation	secLineModuleType	INTEGER	SNMP	read-only
CmgmvCtrl-MIB.logicalSlot	cmgmvctrl	logicalSlot	DisplayString	SNMP, cmgmvCtrlDB Section	read-write

CMGMVMGX8830PXM1E Class

Table A-7 CMGMVMGX8830PXM1E Class Attributes

Name	Module	Object	Type	Section	Access
CommonEM-MIB.controllerAction	controllerInfo	controllerAction	DisplayString	SNMP, cmgmvCtrlDB Section	read-write
CommonEM-MIB.controllerPreviousState	controllerInfo	controllerPreviousState	DisplayString	SNMP, cmgmvCtrlDB Section	read-write
CommonEM-MIB.controllerProgress	controllerInfo	controllerProgress	INTEGER	SNMP, cmgmvCtrlDB Section	read-write
CommonEM-MIB.controllerReserved1	controllerInfo	controllerReserved1	OCTET	SNMP, cmgmvCtrlDB Section	read-write
CommonEM-MIB.controllerReserved2	controllerInfo	controllerReserved2	OCTET	SNMP, cmgmvCtrlDB Section	read-write
CommonEM-MIB.controllerReserved3	controllerInfo	controllerReserved3	INTEGER	SNMP, cmgmvCtrlDB Section	read-write

CMGMVLine Class

Table A-7 CMGMVMGX8830PXM1E Class Attributes (continued)

CommonEM-MIB.controllerReserved4	controllerInfo	controllerReserved4	INTEGER	SNMP, cmgmVCtrlrDB Section	read-write
CommonEM-MIB.controllerState	controllerInfo	controllerState	DisplayString	SNMP, cmgmVCtrlrDB Section	read-write
CommonEM-MIB.controllerStateDetails	controllerInfo	controllerStateDetails	DisplayString	SNMP, cmgmVCtrlrDB Section	read-write
ENTITY-MIB.entPhysicalIndex	entPhysicalEntry	entPhysicalIndex	PhysicalIndex	SNMP, LocalDB	not-accessible
RTM-MIB.managerIPAddress	trapConfigEntry	managerIPAddress	IpAddress	SNMP, LocalDB	read-write
SNMPv2-MIB.sysContact	system	sysContact	DisplayString	SNMP	read-write
SNMPv2-MIB.sysDescr	system	sysDescr	DisplayString	SNMP	read-only
SNMPv2-MIB.sysLocation	system	sysLocation	DisplayString	SNMP	read-write
SNMPv2-MIB.sysName	system	sysName	DisplayString	SNMP	read-write
SNMPv2-MIB.sysObjectID	system	sysObjectID	OBJECT	SNMP	read-only
SNMPv2-MIB.sysServices	system	sysServices	INTEGER	SNMP	read-only
SNMPv2-MIB.sysUpTime	system	sysUpTime	TimeTicks	SNMP	read-only

CMGMVLine Class

Table A-8 CMGMVLine Class Attributes

Name	Module	Object	Type	Section	Access
CmgmvCtrlr-MIB.logicalSlot	cmgmVctrlr	logicalSlot	DisplayString	SNMP, cmgmVCtrlrDB Section	read-write

CMGMVDS1 Class

Table A-9 CMGMVDS1 Class Attributes

Name	Module	Object	Type	Section	Access
CISCO-MGX82XX-DSX1-MIB.almCnfLineNum	dsx1AlmCnfGrpEntry	almCnfLineNum	INTEGER	SNMP, LocalDB	read-only
CISCO-MGX82XX-DSX1-MIB.almLineNum	dsx1AlmGrpEntry	almLineNum	INTEGER	SNMP, LocalDB	read-only
CISCO-MGX82XX-DSX1-MIB.lineNum	dsx1CnfGrpEntry	lineNum	INTEGER	SNMP, LocalDB	read-only
CmgmvCtrl-MIB.logicalSlot	cmgmvctrl	logicalSlot	DisplayString	SNMP, cmgmvCtrlDB Section	read-write

CMGMVMGX8830PXM1 Class

Table A-10 CMGMVMGX8830PXM1 Class Attributes

Name	Module	Object	Type	Section	Access
BASIS-SHELF-MIB.apsIpAddress	basisShelf	apsIpAddress	IpAddress	SNMP	read-write
BASIS-SHELF-MIB.axisFeederTkNo	basisShelf	axisFeederTkNo	INTEGER	SNMP	read-write
BASIS-SHELF-MIB.axisSvcBilling	basisShelf	axisSvcBilling	INTEGER	SNMP	read-write
BASIS-SHELF-MIB.axisSvcBillingBucketInterval	basisShelf	axisSvcBillingBucketInterval	INTEGER	SNMP	read-write
BASIS-SHELF-MIB.axisSvcBillingCollInterval	basisShelf	axisSvcBillingCollInterval	INTEGER	SNMP	read-write
BASIS-SHELF-MIB.redundantApsIpAddress	basisShelf	redundantApsIpAddress	IpAddress	SNMP	read-write
BASIS-SHELF-MIB.shelfAlarmCardBitMap	basisShelf	shelfAlarmCardBitMap	INTEGER	SNMP	read-only
BASIS-SHELF-MIB.shelfBkplnSerialNum	basisShelf	shelfBkplnSerialNum	DisplayString	SNMP	read-only
BASIS-SHELF-MIB.shelfBkplnType	basisShelf	shelfBkplnType	INTEGER	SNMP	read-only
BASIS-SHELF-MIB.shelfDate	basisShelf	shelfDate	DisplayString	SNMP	read-write
BASIS-SHELF-MIB.shelfIntegratedAlarm	basisShelf	shelfIntegratedAlarm	INTEGER	SNMP	read-only

Table A-10 CMGMVMGX8830PXM1 Class Attributes (continued)

BASIS-SHELF-MIB.shelfNodeName	basisShelf	shelfNodeName	DisplayString	SNMP	read-write
BASIS-SHELF-MIB.shelfNum	shelfEntry	shelfNum	INTEGER	SNMP, LocalDB	read-only
BASIS-SHELF-MIB.shelfNumOfValidEntries	basisShelf	shelfNumOfValidEntries	INTEGER	SNMP	read-only
BASIS-SHELF-MIB.shelfPowerSupplyVoltage	basisShelf	shelfPowerSupplyVoltage	INTEGER	SNMP	read-only
BASIS-SHELF-MIB.shelfTime	basisShelf	shelfTime	DisplayString	SNMP	read-write
BASIS-SHELF-MIB.shelfTmZn	basisShelf	shelfTmZn	INTEGER	SNMP	read-write
BASIS-SHELF-MIB.shelfTmZnGMTOff	basisShelf	shelfTmZnGMTOff	INTEGER	SNMP	read-write
BASIS-SHELF-MIB.statsBucketInterval	basisShelf	statsBucketInterval	INTEGER	SNMP	read-only
BASIS-SHELF-MIB.statsCollectionInterval	basisShelf	statsCollectionInterval	INTEGER	SNMP	read-only
BASIS-SHELF-MIB.statsMasterIpAddress	basisShelf	statsMasterIpAddress	IpAddress	SNMP	read-only
BASIS-SHELF-MIB.userName	basisShelf	userName	DisplayString	SNMP	read-only
CmgmvCtrl-MIB.cmgmvChassisState	cmgmvctrl	cmgmvChassisState	DisplayString	SNMP, cmgmvCtrlDB Section	read-write
CmgmvCtrl-MIB.cmgmvReadOnlyCommString	cmgmvctrl	cmgmvReadOnlyCommString	DisplayString	SNMP, LocalDB	read-write
CmgmvCtrl-MIB.cmgmvReadWriteCommString	cmgmvctrl	cmgmvReadWriteCommString	DisplayString	SNMP, LocalDB	read-write
CmgmvCtrl-MIB.configSRAction	cmgmvctrl	configSRAction	DisplayString	SNMP, cmgmvCtrlDB Section	read-write
CmgmvCtrl-MIB.configSRBackupID	cmgmvctrl	configSRBackupID	DisplayString	SNMP, cmgmvCtrlDB Section	read-write
CmgmvCtrl-MIB.configSRLogin	cmgmvctrl	configSRLogin	DisplayString	SNMP, cmgmvCtrlDB Section	read-write
CmgmvCtrl-MIB.configSRPassword	cmgmvctrl	configSRPassword	DisplayString	SNMP, cmgmvCtrlDB Section	read-write
CmgmvCtrl-MIB.cviewServerIPAddress	cmgmvctrl	cviewServerIPAddress	DisplayString	SNMP, cmgmvCtrlDB Section	read-write
CmgmvCtrl-MIB.imageDownloadSrcDirectory	cmgmvctrl	imageDownloadSrcDirectory	DisplayString	SNMP, cmgmvCtrlDB Section	read-write

Table A-10 CMGMVMGX8830PXM1 Class Attributes (continued)

CmgmvCtrl-MIB.imgDnldVismSlotNumber	cmgmvctrl	imgDnldVismSlotNumber	DisplayString	SNMP, cmgmvCtrlDB Section	read-write
CmgmvCtrl-MIB.lastSyncUpTimestamp	cmgmvctrl	lastSyncUpTimestamp	DisplayString	SNMP, cmgmvCtrlDB Section	read-write
CmgmvCtrl-MIB.pxmSrcFile	cmgmvctrl	pxmSrcFile	DisplayString	SNMP, cmgmvCtrlDB Section	read-write
CmgmvCtrl-MIB.rpmSrcFile	cmgmvctrl	rpmSrcFile	DisplayString	SNMP, cmgmvCtrlDB Section	read-write
CmgmvCtrl-MIB.trapRegOp	cmgmvctrl	trapRegOp	DisplayString	SNMP, cmgmvCtrlDB Section	read-write
CmgmvCtrl-MIB.vismSrcFile	cmgmvctrl	vismSrcFile	DisplayString	SNMP, cmgmvCtrlDB Section	read-write
CommonEM-MIB.controllerAction	controllerInfo	controllerAction	DisplayString	SNMP, cmgmvCtrlDB Section	read-write
CommonEM-MIB.controllerPreviousState	controllerInfo	controllerPreviousState	DisplayString	SNMP, cmgmvCtrlDB Section	read-write
CommonEM-MIB.controllerProgress	controllerInfo	controllerProgress	INTEGER	SNMP, cmgmvCtrlDB Section	read-write
CommonEM-MIB.controllerReserved1	controllerInfo	controllerReserved1	OCTET	SNMP, cmgmvCtrlDB Section	read-write
CommonEM-MIB.controllerReserved2	controllerInfo	controllerReserved2	OCTET	SNMP, cmgmvCtrlDB Section	read-write
CommonEM-MIB.controllerReserved3	controllerInfo	controllerReserved3	INTEGER	SNMP, cmgmvCtrlDB Section	read-write
CommonEM-MIB.controllerReserved4	controllerInfo	controllerReserved4	INTEGER	SNMP, cmgmvCtrlDB Section	read-write
CommonEM-MIB.controllerState	controllerInfo	controllerState	DisplayString	SNMP, cmgmvCtrlDB Section	read-write
CommonEM-MIB.controllerStateDetails	controllerInfo	controllerStateDetails	DisplayString	SNMP, cmgmvCtrlDB Section	read-write

Table A-10 CMGMVMGX8830PXM1 Class Attributes (continued)

RTM-MIB.managerIPAddress	trapConfigEntry	managerIPAddress	IpAddress	SNMP, LocalDB	read-write
SNMPv2-MIB.sysContact	system	sysContact	DisplayString	SNMP	read-write
SNMPv2-MIB.sysDescr	system	sysDescr	DisplayString	SNMP	read-only
SNMPv2-MIB.sysLocation	system	sysLocation	DisplayString	SNMP	read-write
SNMPv2-MIB.sysName	system	sysName	DisplayString	SNMP	read-write
SNMPv2-MIB.sysObjectID	system	sysObjectID	OBJECT	SNMP	read-only
SNMPv2-MIB.sysServices	system	sysServices	INTEGER	SNMP	read-only
SNMPv2-MIB.sysUpTime	system	sysUpTime	TimeTicks	SNMP	read-only

CMGMVDS1_VISM Class

Table A-11 CMGMVDS1_VISM Class Attributes

Name	Module	Object	Type	Section	Access
CISCO-MGX82XX-DSX1-MIB.almCnfLineNum	dsx1AlmCnfGrpEntry	almCnfLineNum	INTEGER	SNMP, LocalDB	read-only
CISCO-MGX82XX-DSX1-MIB.almLineNum	dsx1AlmGrpEntry	almLineNum	INTEGER	SNMP, LocalDB	read-only
CISCO-MGX82XX-DSX1-MIB.lineNum	dsx1CnfGrpEntry	lineNum	INTEGER	SNMP, LocalDB	read-only
CISCO-MGX82XX-DSX1-MIB.vismLineNum	dsx1VismCnfGrpEntry	vismLineNum	INTEGER	SNMP, LocalDB	read-only
CmgmvCtrl-MIB.logicalSlot	cmgmvctrl	logicalSlot	DisplayString	SNMP, cmgmvCtrlDB Section	read-write

CMGMVMGX8850PXM1E Class

Table A-12 CMGMVMGX8850PXM1E Class Attributes

Name	Module	Object	Type	Section	Access
CommonEM-MIB.controllerAction	controllerInfo	controllerAction	DisplayString	SNMP, cmgmvCtrlrDB Section	read-write
CommonEM-MIB.controllerPreviousState	controllerInfo	controllerPreviousState	DisplayString	SNMP, cmgmvCtrlrDB Section	read-write
CommonEM-MIB.controllerProgress	controllerInfo	controllerProgress	INTEGER	SNMP, cmgmvCtrlrDB Section	read-write
CommonEM-MIB.controllerReserved1	controllerInfo	controllerReserved1	OCTET	SNMP, cmgmvCtrlrDB Section	read-write
CommonEM-MIB.controllerReserved2	controllerInfo	controllerReserved2	OCTET	SNMP, cmgmvCtrlrDB Section	read-write
CommonEM-MIB.controllerReserved3	controllerInfo	controllerReserved3	INTEGER	SNMP, cmgmvCtrlrDB Section	read-write
CommonEM-MIB.controllerReserved4	controllerInfo	controllerReserved4	INTEGER	SNMP, cmgmvCtrlrDB Section	read-write
CommonEM-MIB.controllerState	controllerInfo	controllerState	DisplayString	SNMP, cmgmvCtrlrDB Section	read-write
CommonEM-MIB.controllerStateDetails	controllerInfo	controllerStateDetails	DisplayString	SNMP, cmgmvCtrlrDB Section	read-write
ENTITY-MIB.entPhysicalIndex	entPhysicalEntry	entPhysicalIndex	PhysicalIndex	SNMP, LocalDB	not-accessible
RTM-MIB.managerIPAddress	trapConfigEntry	managerIPAddress	IpAddress	SNMP, LocalDB	read-write
SNMPv2-MIB.sysContact	system	sysContact	DisplayString	SNMP	read-write
SNMPv2-MIB.sysDescr	system	sysDescr	DisplayString	SNMP	read-only
SNMPv2-MIB.sysLocation	system	sysLocation	DisplayString	SNMP	read-write
SNMPv2-MIB.sysName	system	sysName	DisplayString	SNMP	read-write
SNMPv2-MIB.sysObjectID	system	sysObjectID	OBJECT	SNMP	read-only
SNMPv2-MIB.sysServices	system	sysServices	INTEGER	SNMP	read-only
SNMPv2-MIB.sysUpTime	system	sysUpTime	TimeTicks	SNMP	read-only

CMGMVDS3 Class

Table A-13 CMGMVDS3 Class Attributes

Name	Module	Object	Type	Section	Access
CISCO-MGX82XX-DSX3-MIB.dsx3LineNum	cwDsx3ConfigEntry	dsx3LineNum	INTEGER	SNMP, LocalDB	read-only
CmgmvCtrlr-MIB.logicalSlot	cmgmvctrlr	logicalSlot	DisplayString	SNMP, cmgmvCtrlrDB Section	read-write

CMGMVDS3_PXM1 Class

Table A-14 CMGMVDS3_PXM1 Class Attributes

Name	Module	Object	Type	Section	Access
CISCO-MGX82XX-DSX3-MIB.dsx3LineNum	cwDsx3ConfigEntry	dsx3LineNum	INTEGER	SNMP, LocalDB	read-only
CISCO-WAN-AXIPOP-MIB.atmLineCnfNum	atmLineCnfEntry	atmLineCnfNum	INTEGER	SNMP, LocalDB	read-only
CmgmvCtrlr-MIB.logicalSlot	cmgmvctrlr	logicalSlot	DisplayString	SNMP, cmgmvCtrlrDB Section	read-write

CMGMVVISM Class

Table A-15 CMGMVVISM Class Attributes

Name	Module	Object	Type	Section	Access
BASIS-GENERIC-MIB.configChangeTypeBitMap	cardInformation	configChangeTypeBitMap	INTEGER	SNMP	read-only
BASIS-GENERIC-MIB.functionModuleDescription	cardInformation	functionModuleDescription	DisplayString	SNMP	read-only
BASIS-GENERIC-MIB.functionModuleFWRev	cardInformation	functionModuleFWRev	DisplayString	SNMP	read-only
BASIS-GENERIC-MIB.functionModuleHWRev	cardInformation	functionModuleHWRev	DisplayString	SNMP	read-only
BASIS-GENERIC-MIB.functionModuleResetReason	cardInformation	functionModuleResetReason	INTEGER	SNMP	read-only

Table A-15 CMGMVVISM Class Attributes (continued)

BASIS-GENERIC-MIB.functionModuleSerialNum	cardInformation	functionModuleSerialNum	DisplayString	SNMP	read-only
BASIS-GENERIC-MIB.functionModuleState	cardInformation	functionModuleState	INTEGER	SNMP	read-only
BASIS-GENERIC-MIB.functionModuleType	cardInformation	functionModuleType	INTEGER	SNMP	read-only
BASIS-GENERIC-MIB.lineModuleDescription	cardInformation	lineModuleDescription	DisplayString	SNMP	read-only
BASIS-GENERIC-MIB.lineModuleFWRev	cardInformation	lineModuleFWRev	DisplayString	SNMP	read-only
BASIS-GENERIC-MIB.lineModuleHWRev	cardInformation	lineModuleHWRev	DisplayString	SNMP	read-only
BASIS-GENERIC-MIB.lineModuleSerialNum	cardInformation	lineModuleSerialNum	DisplayString	SNMP	read-only
BASIS-GENERIC-MIB.lineModuleState	cardInformation	lineModuleState	INTEGER	SNMP	read-only
BASIS-GENERIC-MIB.lineModuleType	cardInformation	lineModuleType	INTEGER	SNMP	read-only
BASIS-GENERIC-MIB.mibVersionNumber	cardInformation	mibVersionNumber	INTEGER	SNMP	read-only
BASIS-GENERIC-MIB.moduleSlotNumber	cardInformation	moduleSlotNumber	INTEGER	SNMP	read-only
BASIS-GENERIC-MIB.moduleTrapAlarmSeverity	cardInformation	moduleTrapAlarmSeverity	INTEGER	SNMP	read-only
CISCO-WAN-AAL2-PROFILES-MIB.aal2ProfileType	aal2ProfilesGrpEntry	aal2ProfileType	INTEGER	SNMP, LocalDB	not-accessible
CISCO-WAN-ANNOUNCEMENT-MIB.cwAnnAgeTime	cwAnnounceControlGrp	cwAnnAgeTime	Integer32	SNMP	read-write
CISCO-WAN-ANNOUNCEMENT-MIB.cwAnnFileServerName	cwAnnounceControlGrp	cwAnnFileServerName	DisplayString	SNMP	read-write
CISCO-WAN-ANNOUNCEMENT-MIB.cwAnnMaximumSize	cwAnnounceControlGrp	cwAnnMaximumSize	Integer32	SNMP	read-only
CISCO-WAN-ANNOUNCEMENT-MIB.cwAnnPreferenceCodec	cwAnnounceControlGrp	cwAnnPreferenceCodec	AnnCodecType	SNMP	read-write
CISCO-WAN-ANNOUNCEMENT-MIB.cwAnnPrefixPath	cwAnnounceControlGrp	cwAnnPrefixPath	DisplayString	SNMP	read-write
CISCO-WAN-ANNOUNCEMENT-MIB.cwAnnReqTimeout	cwAnnounceControlGrp	cwAnnReqTimeout	Integer32	SNMP	read-write
CISCO-WAN-AXIPOP-MIB.vismAal2CasTransport	vismAal2Grp	vismAal2CasTransport	TruthValue	SNMP	read-write
CISCO-WAN-AXIPOP-MIB.vismAal2CidFillTimer	vismAal2Grp	vismAal2CidFillTimer	INTEGER	SNMP	read-write

Table A-15 CMGMVVISM Class Attributes (continued)

CISCO-WAN-AXIPOP-MIB.vismAal2DtmfRelay	vismAal2Grp	vismAal2DtmfRelay	TruthValue	SNMP	read-write
CISCO-WAN-AXIPOP-MIB.vismAal2SubcellMuxing	vismAal2Grp	vismAal2SubcellMuxing	TruthValue	SNMP	read-write
CISCO-WAN-AXIPOP-MIB.vismAal2Type3Redundancy	vismAal2Grp	vismAal2Type3Redundancy	TruthValue	SNMP	read-write
CISCO-WAN-AXIPOP-MIB.vismAal2VADTimer	vismAal2Grp	vismAal2VADTimer	INTEGER	SNMP	read-write
CISCO-WAN-AXIPOP-MIB.vismAdaptiveGainControl	vismDspGrp	vismAdaptiveGainControl	INTEGER	SNMP	read-write
CISCO-WAN-AXIPOP-MIB.vismAggregateSvcBandwidth	vismSystemGrp	vismAggregateSvcBandwidth	INTEGER	SNMP	read-write
CISCO-WAN-AXIPOP-MIB.vismAggregateTrafficClipping	vismSystemGrp	vismAggregateTrafficClipping	INTEGER	SNMP	read-write
CISCO-WAN-AXIPOP-MIB.vismAppliedTemplate	vismSystemGrp	vismAppliedTemplate	INTEGER	SNMP	read-only
CISCO-WAN-AXIPOP-MIB.vismAvailableDs0Count	vismSystemGrp	vismAvailableDs0Count	INTEGER	SNMP	read-only
CISCO-WAN-AXIPOP-MIB.vismBearerContinuityTest	vismSystemGrp	vismBearerContinuityTest	TruthValue	SNMP	read-write
CISCO-WAN-AXIPOP-MIB.vismBearerContinuityTimer	vismSystemGrp	vismBearerContinuityTimer	INTEGER	SNMP	read-write
CISCO-WAN-AXIPOP-MIB.vismBearerIpAddress	vismIpGrp	vismBearerIpAddress	IpAddress	SNMP	read-write
CISCO-WAN-AXIPOP-MIB.vismBearerSubNetMask	vismIpGrp	vismBearerSubNetMask	IpAddress	SNMP	read-write
CISCO-WAN-AXIPOP-MIB.vismBearerTos	vismVoIpGrp	vismBearerTos	INTEGER	SNMP	read-write
CISCO-WAN-AXIPOP-MIB.vismCacEnable	vismSystemGrp	vismCacEnable	INTEGER	SNMP	read-write
CISCO-WAN-AXIPOP-MIB.vismCacRejectionPolicy	vismSystemGrp	vismCacRejectionPolicy	INTEGER	SNMP	read-write
CISCO-WAN-AXIPOP-MIB.vismCaleaEnable	vismSystemGrp	vismCaleaEnable	TruthValue	SNMP	read-write
CISCO-WAN-AXIPOP-MIB.vismCarrierLossPolicy	vismSystemGrp	vismCarrierLossPolicy	INTEGER	SNMP	read-write
CISCO-WAN-AXIPOP-MIB.vismCodecNegotiationOption	vismSystemGrp	vismCodecNegotiationOption	INTEGER	SNMP	read-write
CISCO-WAN-AXIPOP-MIB.vismCompCnfPacketSize	vismDspGrp	vismCompCnfPacketSize	INTEGER	SNMP	read-write
CISCO-WAN-AXIPOP-MIB.vismControlTos	vismIpGrp	vismControlTos	INTEGER	SNMP	read-write

Table A-15 CMGMVVISM Class Attributes (continued)

CISCO-WAN-AXIPOP-MIB.vism DaughterCardDescription	vismSystemGrp	vismDaughterCard Description	DisplayString	SNMP	read-only
CISCO-WAN-AXIPOP-MIB.vism DaughterCardHWRev	vismSystemGrp	vismDaughterCard HWRev	DisplayString	SNMP	read-only
CISCO-WAN-AXIPOP-MIB.vism DaughterCardSerialNum	vismSystemGrp	vismDaughterCard SerialNum	DisplayString	SNMP	read-only
CISCO-WAN-AXIPOP-MIB.vism DspHealth	vismDspGrp	vismDspHealth	INTEGER	SNMP	read-only
CISCO-WAN-AXIPOP-MIB.vism EcanCnfIdleDirection	vismDspGrp	vismEcanCnfIdleD irection	INTEGER	SNMP	read-only
CISCO-WAN-AXIPOP-MIB.vism EcanCnfIdlePattern	vismDspGrp	vismEcanCnfIdleP attern	INTEGER	SNMP	read-only
CISCO-WAN-AXIPOP-MIB.vism EcanEncoding	vismSystemGrp	vismEcanEncoding	INTEGER	SNMP	read-only
CISCO-WAN-AXIPOP-MIB.vism ERL	vismDspGrp	vismERL	INTEGER	SNMP	read-write
CISCO-WAN-AXIPOP-MIB.vism ExtDnsServerDn	vismSystemGrp	vismExtDnsServer Dn	DisplayString	SNMP	read-write
CISCO-WAN-AXIPOP-MIB.vism FeatureBitMap	vismSystemGrp	vismFeatureBitMa p	INTEGER	SNMP	read-write
CISCO-WAN-AXIPOP-MIB.vism IpAddress	vismIpGrp	vismIpAddress	IpAddress	SNMP	read-write
CISCO-WAN-AXIPOP-MIB.vism JitterDelayMode	vismDspGrp	vismJitterDelayMo de	INTEGER	SNMP	read-write
CISCO-WAN-AXIPOP-MIB.vism JitterInitialDelay	vismDspGrp	vismJitterInitialDel ay	INTEGER	SNMP	read-write
CISCO-WAN-AXIPOP-MIB.vism Mode	vismSystemGrp	vismMode	INTEGER	SNMP	read-only
CISCO-WAN-AXIPOP-MIB.vism PacketizationPeriod	vismVoIpGrp	vismPacketizationP eriod	INTEGER	SNMP	read-only
CISCO-WAN-AXIPOP-MIB.vism PortCacPvcAddFailures	vismCardCacFailur esGrp	vismPortCacPvcAd dFailures	Counter	SNMP	read-only
CISCO-WAN-AXIPOP-MIB.vism PortCacSvcAddFailures	vismCardCacFailur esGrp	vismPortCacSvcAd dFailures	Counter	SNMP	read-only
CISCO-WAN-AXIPOP-MIB.vism PortCacSvcUpspeedFailures	vismCardCacFailur esGrp	vismPortCacSvcUp speedFailures	Counter	SNMP	read-only
CISCO-WAN-AXIPOP-MIB.vism PrevMode	vismSystemGrp	vismPrevMode	INTEGER	SNMP	read-only
CISCO-WAN-AXIPOP-MIB.vism ProfileNegotiationOption	vismSystemGrp	vismProfileNegotia tionOption	INTEGER	SNMP	read-write
CISCO-WAN-AXIPOP-MIB.vism RtcpRecvMultiplier	vismVoIpGrp	vismRtcpRecvMult iplier	INTEGER	SNMP	read-write

Table A-15 CMGMVVISM Class Attributes (continued)

CISCO-WAN-AXIPOP-MIB.vismRtcpRepInterval	vismVoIpGrp	vismRtcpRepInterval	INTEGER	SNMP	read-write
CISCO-WAN-AXIPOP-MIB.vismRtpReceiveTimer	vismVoIpGrp	vismRtpReceiveTimer	INTEGER	SNMP	read-write
CISCO-WAN-AXIPOP-MIB.vismSubNetMask	vismIpGrp	vismSubNetMask	IpAddress	SNMP	read-write
CISCO-WAN-AXIPOP-MIB.vismTftpServerDn	vismSystemGrp	vismTftpServerDn	DisplayString	SNMP	read-write
CISCO-WAN-AXIPOP-MIB.vismUpspeedCodec	vismDspGrp	vismUpspeedCode	INTEGER	SNMP	read-write
CISCO-WAN-AXIPOP-MIB.vismVADDutyCycle	vismSystemGrp	vismVADDutyCycle	INTEGER	SNMP	read-write
CISCO-WAN-AXIPOP-MIB.vismVADTolerance	vismSystemGrp	vismVADTolerance	INTEGER	SNMP	read-write
CISCO-WAN-AXIPOP-MIB.vismVcCacPvcFailures	vismCardCacFailuresGrp	vismVcCacPvcFailures	Counter	SNMP	read-only
CISCO-WAN-AXIPOP-MIB.vismVcCacPvcUpspeedFailures	vismCardCacFailuresGrp	vismVcCacPvcUpspeedFailures	Counter	SNMP	read-only
CISCO-WAN-AXIPOP-MIB.vismVoIpCasTransport	vismVoIpGrp	vismVoIpCasTransport	TruthValue	SNMP	read-write
CISCO-WAN-AXIPOP-MIB.vismVoIpDPvcOamCellGap	vismVoIpGrp	vismVoIpDPvcOamCellGap	INTEGER	SNMP	read-write
CISCO-WAN-AXIPOP-MIB.vismVoIpDPvcRecoverCnt	vismVoIpGrp	vismVoIpDPvcRecoverCnt	INTEGER	SNMP	read-write
CISCO-WAN-AXIPOP-MIB.vismVoIpDPvcRetryCnt	vismVoIpGrp	vismVoIpDPvcRetryCnt	INTEGER	SNMP	read-write
CISCO-WAN-AXIPOP-MIB.vismVoIpDtmfRelay	vismVoIpGrp	vismVoIpDtmfRelay	TruthValue	SNMP	read-write
CISCO-WAN-AXIPOP-MIB.vismVoIpEventNegotiationPolicy	vismVoIpGrp	vismVoIpEventNegotiationPolicy	INTEGER	SNMP	read-write
CISCO-WAN-AXIPOP-MIB.vismVoIpLapdTrunkPVC	vismVoIpGrp	vismVoIpLapdTrunkPVC	INTEGER	SNMP	read-write
CISCO-WAN-AXIPOP-MIB.vismVoIpNTECapabilityNegotiate	vismVoIpGrp	vismVoIpNTECapabilityNegotiate	TruthValue	SNMP	read-write
CISCO-WAN-AXIPOP-MIB.vismVoIpSIDPayloadType	vismVoIpGrp	vismVoIpSIDPayloadType	INTEGER	SNMP	read-write
CISCO-WAN-AXIPOP-MIB.vismVoIpTripleRedundancy	vismVoIpGrp	vismVoIpTripleRedundancy	TruthValue	SNMP	read-write
CISCO-WAN-AXIPOP-MIB.vismVoIpVADTimer	vismVoIpGrp	vismVoIpVADTimer	INTEGER	SNMP	read-write
CISCO-WAN-AXIPOP-MIB.vismXgcpBearerConnectionType	vismSystemGrp	vismXgcpBearerConnectionType	INTEGER	SNMP	read-write

Table A-15 CMGMVISM Class Attributes (continued)

CISCO-WAN-AXIPOP-MIB.vismXgcpBearerNetworkType	vismSystemGrp	vismXgcpBearerNetworkType	INTEGER	SNMP	read-write
CISCO-WAN-AXIPOP-MIB.vismXgcpBearerVCType	vismSystemGrp	vismXgcpBearerVCType	INTEGER	SNMP	read-write
CISCO-WAN-AXIPOP-MIB.vismXgcpPeerNumber	vismXgcpPeerEntry	vismXgcpPeerNumber	INTEGER	SNMP, LocalDB	read-only
CISCO-WAN-AXIPOP-MIB.vismXgcpPort	vismXgcpCoreObjects	vismXgcpPort	INTEGER	SNMP	read-write
CISCO-WAN-AXIPOP-MIB.vismXgcpRequestMaxTimeout	vismXgcpCoreObjects	vismXgcpRequestMaxTimeout	INTEGER	SNMP	read-write
CISCO-WAN-AXIPOP-MIB.vismXgcpSdpOst	vismInteropGrp	vismXgcpSdpOst	INTEGER	SNMP	read-write
CISCO-WAN-MG-MIB.mgAdministrativeState	mediaGateway	mgAdministrativeState	INTEGER	SNMP	read-only
CISCO-WAN-MG-MIB.mgAdministrativeStateControl	mediaGateway	mgAdministrativeStateControl	INTEGER	SNMP	read-write
CISCO-WAN-MG-MIB.mgName	mediaGateway	mgName	DisplayString	SNMP	read-write
CISCO-WAN-MG-MIB.mgShutdownGraceTime	mediaGateway	mgShutdownGraceTime	Integer32	SNMP	read-write
CISCO-WAN-SRCP-MIB.srcpRequestMaxTimeout	srcpAdminRetyObjects	srcpRequestMaxTimeout	Integer32	SNMP	read-write
CISCO-WAN-SRCP-MIB.srcpRequestRetries	srcpAdminRetyObjects	srcpRequestRetries	Integer32	SNMP	read-write
CISCO-WAN-SRCP-MIB.srcpRequestTimeOut	srcpAdminRetyObjects	srcpRequestTimeOut	Integer32	SNMP	read-write
CISCO-WAN-VISM-TONE-PLAN-MIB.tonePlanCurrentSize	vismTonePlanControlGrp	tonePlanCurrentSize	Integer32	SNMP	read-only
CmgmvCtrlr-MIB.logicalSlot	cmgmvctrlr	logicalSlot	DisplayString	SNMP, cmgmvCtrlrDB Section	read-write
XGCP-MIB.xgcpAdminStatus	xgcpCoreObjects	xgcpAdminStatus	INTEGER	SNMP	read-write
XGCP-MIB.xgcpInBadVersions	xgcpCoreObjects	xgcpInBadVersions	Counter32	SNMP	read-only
XGCP-MIB.xgcpOperStatus	xgcpCoreObjects	xgcpOperStatus	INTEGER	SNMP	read-only
XGCP-MIB.xgcpRequestRetries	xgcpCoreObjects	xgcpRequestRetries	Integer32	SNMP	read-write
XGCP-MIB.xgcpRequestTimeOut	xgcpCoreObjects	xgcpRequestTimeOut	Integer32	SNMP	read-write
XGCP-MIB.xgcpRestartDelay	xgcpExtensionObjects	xgcpRestartDelay	Integer32	SNMP	read-write
XGCP-MIB.xgcpRestartInProgressMWD	xgcpExtensionObjects	xgcpRestartInProgressMWD	Integer32	SNMP	read-write
XGCP-MIB.xgcpUnRecognizedPackets	xgcpCoreObjects	xgcpUnRecognizedPackets	Counter32	SNMP	read-only

CMGMVVISM-PR Class

Table A-16 CMGMVVISM-PR Class Attributes

Name	Module	Object	Type	Section	Access
BASIS-GENERIC-MIB.configChangeTypeBitMap	cardInformation	configChangeTypeBitMap	INTEGER	SNMP	read-only
BASIS-GENERIC-MIB.functionModuleDescription	cardInformation	functionModuleDescription	DisplayString	SNMP	read-only
BASIS-GENERIC-MIB.functionModuleFWRev	cardInformation	functionModuleFWRev	DisplayString	SNMP	read-only
BASIS-GENERIC-MIB.functionModuleHWRev	cardInformation	functionModuleHWRev	DisplayString	SNMP	read-only
BASIS-GENERIC-MIB.functionModuleResetReason	cardInformation	functionModuleResetReason	INTEGER	SNMP	read-only
BASIS-GENERIC-MIB.functionModuleSerialNum	cardInformation	functionModuleSerialNum	DisplayString	SNMP	read-only
BASIS-GENERIC-MIB.functionModuleState	cardInformation	functionModuleState	INTEGER	SNMP	read-only
BASIS-GENERIC-MIB.functionModuleType	cardInformation	functionModuleType	INTEGER	SNMP	read-only
BASIS-GENERIC-MIB.lineModuleDescription	cardInformation	lineModuleDescription	DisplayString	SNMP	read-only
BASIS-GENERIC-MIB.lineModuleFWRev	cardInformation	lineModuleFWRev	DisplayString	SNMP	read-only
BASIS-GENERIC-MIB.lineModuleHWRev	cardInformation	lineModuleHWRev	DisplayString	SNMP	read-only
BASIS-GENERIC-MIB.lineModuleSerialNum	cardInformation	lineModuleSerialNum	DisplayString	SNMP	read-only
BASIS-GENERIC-MIB.lineModuleState	cardInformation	lineModuleState	INTEGER	SNMP	read-only
BASIS-GENERIC-MIB.lineModuleType	cardInformation	lineModuleType	INTEGER	SNMP	read-only
BASIS-GENERIC-MIB.mibVersionNumber	cardInformation	mibVersionNumber	INTEGER	SNMP	read-only
BASIS-GENERIC-MIB.moduleSlotNumber	cardInformation	moduleSlotNumber	INTEGER	SNMP	read-only
BASIS-GENERIC-MIB.moduleTrapAlarmSeverity	cardInformation	moduleTrapAlarmSeverity	INTEGER	SNMP	read-only
CISCO-WAN-AAL2-PROFILES-MIB.aal2ProfileType	aal2ProfilesGrpEntry	aal2ProfileType	INTEGER	SNMP, LocalDB	not-accessible
CISCO-WAN-ANNOUNCEMENT-MIB.cwAnnAgeTime	cwAnnounceControlGrp	cwAnnAgeTime	Integer32	SNMP	read-write

Table A-16 CMGMVVISM-PR Class Attributes (continued)

CISCO-WAN-ANNOUNCEMENT-MIB.cwAnnFileName	cwAnnounceControlGrp	cwAnnFileServerName	DisplayString	SNMP	read-write
CISCO-WAN-ANNOUNCEMENT-MIB.cwAnnMaximumSize	cwAnnounceControlGrp	cwAnnMaximumSize	Integer32	SNMP	read-only
CISCO-WAN-ANNOUNCEMENT-MIB.cwAnnPreferenceCodec	cwAnnounceControlGrp	cwAnnPreferenceCodec	AnnCodecType	SNMP	read-write
CISCO-WAN-ANNOUNCEMENT-MIB.cwAnnPrefixPath	cwAnnounceControlGrp	cwAnnPrefixPath	DisplayString	SNMP	read-write
CISCO-WAN-ANNOUNCEMENT-MIB.cwAnnReqTimeout	cwAnnounceControlGrp	cwAnnReqTimeout	Integer32	SNMP	read-write
CISCO-WAN-AXIPOP-MIB.vismAal2CasTransport	vismAal2Grp	vismAal2CasTransport	TruthValue	SNMP	read-write
CISCO-WAN-AXIPOP-MIB.vismAal2CidFillTimer	vismAal2Grp	vismAal2CidFillTimer	INTEGER	SNMP	read-write
CISCO-WAN-AXIPOP-MIB.vismAal2DtmfRelay	vismAal2Grp	vismAal2DtmfRelay	TruthValue	SNMP	read-write
CISCO-WAN-AXIPOP-MIB.vismAal2SubcellMuxing	vismAal2Grp	vismAal2SubcellMuxing	TruthValue	SNMP	read-write
CISCO-WAN-AXIPOP-MIB.vismAal2Type3Redundancy	vismAal2Grp	vismAal2Type3Redundancy	TruthValue	SNMP	read-write
CISCO-WAN-AXIPOP-MIB.vismAal2VADTimer	vismAal2Grp	vismAal2VADTimer	INTEGER	SNMP	read-write
CISCO-WAN-AXIPOP-MIB.vismAdaptiveGainControl	vismDspGrp	vismAdaptiveGainControl	INTEGER	SNMP	read-write
CISCO-WAN-AXIPOP-MIB.vismAggregateSvcBandwidth	vismSystemGrp	vismAggregateSvcBandwidth	INTEGER	SNMP	read-write
CISCO-WAN-AXIPOP-MIB.vismAggregateTrafficClipping	vismSystemGrp	vismAggregateTrafficClipping	INTEGER	SNMP	read-write
CISCO-WAN-AXIPOP-MIB.vismAppliedTemplate	vismSystemGrp	vismAppliedTemplate	INTEGER	SNMP	read-only
CISCO-WAN-AXIPOP-MIB.vismAvailableDs0Count	vismSystemGrp	vismAvailableDs0Count	INTEGER	SNMP	read-only
CISCO-WAN-AXIPOP-MIB.vismBearerContinuityTest	vismSystemGrp	vismBearerContinuityTest	TruthValue	SNMP	read-write
CISCO-WAN-AXIPOP-MIB.vismBearerContinuityTimer	vismSystemGrp	vismBearerContinuityTimer	INTEGER	SNMP	read-write
CISCO-WAN-AXIPOP-MIB.vismBearerIpAddress	vismIpGrp	vismBearerIpAddress	IpAddress	SNMP	read-write
CISCO-WAN-AXIPOP-MIB.vismBearerSubNetMask	vismIpGrp	vismBearerSubNetMask	IpAddress	SNMP	read-write
CISCO-WAN-AXIPOP-MIB.vismBearerTos	vismVoIpGrp	vismBearerTos	INTEGER	SNMP	read-write

Table A-16 CMGMVVISM-PR Class Attributes (continued)

CISCO-WAN-AXIPOP-MIB.vismCacEnable	vismSystemGrp	vismCacEnable	INTEGER	SNMP	read-write
CISCO-WAN-AXIPOP-MIB.vismCacRejectionPolicy	vismSystemGrp	vismCacRejectionPolicy	INTEGER	SNMP	read-write
CISCO-WAN-AXIPOP-MIB.vismCaleaEnable	vismSystemGrp	vismCaleaEnable	Truth Value	SNMP	read-write
CISCO-WAN-AXIPOP-MIB.vismCarrierLossPolicy	vismSystemGrp	vismCarrierLossPolicy	INTEGER	SNMP	read-write
CISCO-WAN-AXIPOP-MIB.vismCodecNegotiationOption	vismSystemGrp	vismCodecNegotiationOption	INTEGER	SNMP	read-write
CISCO-WAN-AXIPOP-MIB.vismCompCnfPacketSize	vismDspGrp	vismCompCnfPacketSize	INTEGER	SNMP	read-write
CISCO-WAN-AXIPOP-MIB.vismControlTos	vismIpGrp	vismControlTos	INTEGER	SNMP	read-write
CISCO-WAN-AXIPOP-MIB.vismDaughterCardDescription	vismSystemGrp	vismDaughterCardDescription	DisplayString	SNMP	read-only
CISCO-WAN-AXIPOP-MIB.vismDaughterCardHWRev	vismSystemGrp	vismDaughterCardHWRev	DisplayString	SNMP	read-only
CISCO-WAN-AXIPOP-MIB.vismDaughterCardSerialNum	vismSystemGrp	vismDaughterCardSerialNum	DisplayString	SNMP	read-only
CISCO-WAN-AXIPOP-MIB.vismDspHealth	vismDspGrp	vismDspHealth	INTEGER	SNMP	read-only
CISCO-WAN-AXIPOP-MIB.vismEcanCnfIdleDirection	vismDspGrp	vismEcanCnfIdleDirection	INTEGER	SNMP	read-only
CISCO-WAN-AXIPOP-MIB.vismEcanCnfIdlePattern	vismDspGrp	vismEcanCnfIdlePattern	INTEGER	SNMP	read-only
CISCO-WAN-AXIPOP-MIB.vismEcanEncoding	vismSystemGrp	vismEcanEncoding	INTEGER	SNMP	read-only
CISCO-WAN-AXIPOP-MIB.vismERL	vismDspGrp	vismERL	INTEGER	SNMP	read-write
CISCO-WAN-AXIPOP-MIB.vismExtDnsServerDn	vismSystemGrp	vismExtDnsServerDn	DisplayString	SNMP	read-write
CISCO-WAN-AXIPOP-MIB.vismFeatureBitMap	vismSystemGrp	vismFeatureBitMap	INTEGER	SNMP	read-write
CISCO-WAN-AXIPOP-MIB.vismIpAddress	vismIpGrp	vismIpAddress	IpAddress	SNMP	read-write
CISCO-WAN-AXIPOP-MIB.vismJitterDelayMode	vismDspGrp	vismJitterDelayMode	INTEGER	SNMP	read-write
CISCO-WAN-AXIPOP-MIB.vismJitterInitialDelay	vismDspGrp	vismJitterInitialDelay	INTEGER	SNMP	read-write
CISCO-WAN-AXIPOP-MIB.vismMode	vismSystemGrp	vismMode	INTEGER	SNMP	read-only

Table A-16 CMGMVVISM-PR Class Attributes (continued)

CISCO-WAN-AXIPOP-MIB.vismPacketizationPeriod	vismVoIpGrp	vismPacketizationPeriod	INTEGER	SNMP	read-only
CISCO-WAN-AXIPOP-MIB.vismPortCacPvcAddFailures	vismCardCacFailuresGrp	vismPortCacPvcAddFailures	Counter	SNMP	read-only
CISCO-WAN-AXIPOP-MIB.vismPortCacSvcAddFailures	vismCardCacFailuresGrp	vismPortCacSvcAddFailures	Counter	SNMP	read-only
CISCO-WAN-AXIPOP-MIB.vismPortCacSvcUpspeedFailures	vismCardCacFailuresGrp	vismPortCacSvcUpspeedFailures	Counter	SNMP	read-only
CISCO-WAN-AXIPOP-MIB.vismPrevMode	vismSystemGrp	vismPrevMode	INTEGER	SNMP	read-only
CISCO-WAN-AXIPOP-MIB.vismProfileNegotiationOption	vismSystemGrp	vismProfileNegotiationOption	INTEGER	SNMP	read-write
CISCO-WAN-AXIPOP-MIB.vismRtcpRecvMultiplier	vismVoIpGrp	vismRtcpRecvMultiplier	INTEGER	SNMP	read-write
CISCO-WAN-AXIPOP-MIB.vismRtcpRepInterval	vismVoIpGrp	vismRtcpRepInterval	INTEGER	SNMP	read-write
CISCO-WAN-AXIPOP-MIB.vismRtpReceiveTimer	vismVoIpGrp	vismRtpReceiveTimer	INTEGER	SNMP	read-write
CISCO-WAN-AXIPOP-MIB.vismSubNetMask	vismIpGrp	vismSubNetMask	IpAddress	SNMP	read-write
CISCO-WAN-AXIPOP-MIB.vismTftpServerDn	vismSystemGrp	vismTftpServerDn	DisplayString	SNMP	read-write
CISCO-WAN-AXIPOP-MIB.vismUpspeedCodec	vismDspGrp	vismUpspeedCodec	INTEGER	SNMP	read-write
CISCO-WAN-AXIPOP-MIB.vismVADDutyCycle	vismSystemGrp	vismVADDutyCycle	INTEGER	SNMP	read-write
CISCO-WAN-AXIPOP-MIB.vismVADTolerance	vismSystemGrp	vismVADTolerance	INTEGER	SNMP	read-write
CISCO-WAN-AXIPOP-MIB.vismVcCacPvcFailures	vismCardCacFailuresGrp	vismVcCacPvcFailures	Counter	SNMP	read-only
CISCO-WAN-AXIPOP-MIB.vismVcCacPvcUpspeedFailures	vismCardCacFailuresGrp	vismVcCacPvcUpspeedFailures	Counter	SNMP	read-only
CISCO-WAN-AXIPOP-MIB.vismVoIpCasTransport	vismVoIpGrp	vismVoIpCasTransport	TruthValue	SNMP	read-write
CISCO-WAN-AXIPOP-MIB.vismVoIpDPvcOamCellGap	vismVoIpGrp	vismVoIpDPvcOamCellGap	INTEGER	SNMP	read-write
CISCO-WAN-AXIPOP-MIB.vismVoIpDPvcRecoverCnt	vismVoIpGrp	vismVoIpDPvcRecoverCnt	INTEGER	SNMP	read-write
CISCO-WAN-AXIPOP-MIB.vismVoIpDPvcRetryCnt	vismVoIpGrp	vismVoIpDPvcRetryCnt	INTEGER	SNMP	read-write
CISCO-WAN-AXIPOP-MIB.vismVoIpDtmfRelay	vismVoIpGrp	vismVoIpDtmfRelay	TruthValue	SNMP	read-write

Table A-16 CMGMVVISM-PR Class Attributes (continued)

CISCO-WAN-AXIPOP-MIB.vismVoIpEventNegotiationPolicy	vismVoIpGrp	vismVoIpEventNegotiationPolicy	INTEGER	SNMP	read-write
CISCO-WAN-AXIPOP-MIB.vismVoIpLapdTrunkPVC	vismVoIpGrp	vismVoIpLapdTrunkPVC	INTEGER	SNMP	read-write
CISCO-WAN-AXIPOP-MIB.vismVoIpNTECapabilityNegotiate	vismVoIpGrp	vismVoIpNTECapabilityNegotiate	TruthValue	SNMP	read-write
CISCO-WAN-AXIPOP-MIB.vismVoIpSIDPayloadType	vismVoIpGrp	vismVoIpSIDPayloadType	INTEGER	SNMP	read-write
CISCO-WAN-AXIPOP-MIB.vismVoIpTripleRedundancy	vismVoIpGrp	vismVoIpTripleRedundancy	TruthValue	SNMP	read-write
CISCO-WAN-AXIPOP-MIB.vismVoIpVADTimer	vismVoIpGrp	vismVoIpVADTimer	INTEGER	SNMP	read-write
CISCO-WAN-AXIPOP-MIB.vismXgcpBearerConnectionType	vismSystemGrp	vismXgcpBearerConnectionType	INTEGER	SNMP	read-write
CISCO-WAN-AXIPOP-MIB.vismXgcpBearerNetworkType	vismSystemGrp	vismXgcpBearerNetworkType	INTEGER	SNMP	read-write
CISCO-WAN-AXIPOP-MIB.vismXgcpBearerVCType	vismSystemGrp	vismXgcpBearerVCType	INTEGER	SNMP	read-write
CISCO-WAN-AXIPOP-MIB.vismXgcpPeerNumber	vismXgcpPeerEntry	vismXgcpPeerNumber	INTEGER	SNMP, LocalDB	read-only
CISCO-WAN-AXIPOP-MIB.vismXgcpPort	vismXgcpCoreObjects	vismXgcpPort	INTEGER	SNMP	read-write
CISCO-WAN-AXIPOP-MIB.vismXgcpRequestMaxTimeout	vismXgcpCoreObjects	vismXgcpRequestMaxTimeout	INTEGER	SNMP	read-write
CISCO-WAN-AXIPOP-MIB.vismXgcpSdpOst	vismInteropGrp	vismXgcpSdpOst	INTEGER	SNMP	read-write
CISCO-WAN-MG-MIB.mgAdministrativeState	mediaGateway	mgAdministrativeState	INTEGER	SNMP	read-only
CISCO-WAN-MG-MIB.mgAdministrativeStateControl	mediaGateway	mgAdministrativeStateControl	INTEGER	SNMP	read-write
CISCO-WAN-MG-MIB.mgName	mediaGateway	mgName	DisplayString	SNMP	read-write
CISCO-WAN-MG-MIB.mgShutdownGraceTime	mediaGateway	mgShutdownGraceTime	Integer32	SNMP	read-write
CISCO-WAN-SRCP-MIB.srcpRequestMaxTimeout	srcpAdminRetyObjects	srcpRequestMaxTimeout	Integer32	SNMP	read-write
CISCO-WAN-SRCP-MIB.srcpRequestRetries	srcpAdminRetyObjects	srcpRequestRetries	Integer32	SNMP	read-write
CISCO-WAN-SRCP-MIB.srcpRequestTimeOut	srcpAdminRetyObjects	srcpRequestTimeOut	Integer32	SNMP	read-write
CISCO-WAN-VISM-TONE-PLAN-MIB.tonePlanCurrentSize	vismTonePlanControlGrp	tonePlanCurrentSize	Integer32	SNMP	read-only

Table A-16 CMGMVVISM-PR Class Attributes (continued)

CmgmvCtrl-MIB.logicalSlot	cmgmvctrl	logicalSlot	DisplayString	SNMP, cmgmvCtrlDB Section	read-write
CommonEM-MIB.controllerAction	controllerInfo	controllerAction	DisplayString	SNMP, cmgmvCtrlDB Section	read-write
CommonEM-MIB.controllerPreviousState	controllerInfo	controllerPreviousState	DisplayString	SNMP, cmgmvCtrlDB Section	read-write
CommonEM-MIB.controllerProgress	controllerInfo	controllerProgress	INTEGER	SNMP, cmgmvCtrlDB Section	read-write
CommonEM-MIB.controllerReserved1	controllerInfo	controllerReserved1	OCTET	SNMP, cmgmvCtrlDB Section	read-write
CommonEM-MIB.controllerReserved2	controllerInfo	controllerReserved2	OCTET	SNMP, cmgmvCtrlDB Section	read-write
CommonEM-MIB.controllerReserved3	controllerInfo	controllerReserved3	INTEGER	SNMP, cmgmvCtrlDB Section	read-write
CommonEM-MIB.controllerReserved4	controllerInfo	controllerReserved4	INTEGER	SNMP, cmgmvCtrlDB Section	read-write
CommonEM-MIB.controllerState	controllerInfo	controllerState	DisplayString	SNMP, cmgmvCtrlDB Section	read-write
CommonEM-MIB.controllerStateDetails	controllerInfo	controllerStateDetails	DisplayString	SNMP, cmgmvCtrlDB Section	read-write
XGCP-MIB.xgcpAdminStatus	xgcpCoreObjects	xgcpAdminStatus	INTEGER	SNMP	read-write
XGCP-MIB.xgcpInBadVersions	xgcpCoreObjects	xgcpInBadVersions	Counter32	SNMP	read-only
XGCP-MIB.xgcpOperStatus	xgcpCoreObjects	xgcpOperStatus	INTEGER	SNMP	read-only
XGCP-MIB.xgcpRequestRetries	xgcpCoreObjects	xgcpRequestRetries	Integer32	SNMP	read-write
XGCP-MIB.xgcpRequestTimeOut	xgcpCoreObjects	xgcpRequestTimeOut	Integer32	SNMP	read-write
XGCP-MIB.xgcpRestartDelay	xgcpExtensionObjects	xgcpRestartDelay	Integer32	SNMP	read-write
XGCP-MIB.xgcpRestartInProgressMWD	xgcpExtensionObjects	xgcpRestartInProgressMWD	Integer32	SNMP	read-write
XGCP-MIB.xgcpUnRecognizedPackets	xgcpCoreObjects	xgcpUnRecognizedPackets	Counter32	SNMP	read-only

CMGMVDS3_SRM Class

Table A-17 CMGMVDS3_SRM Class Attributes

Name	Module	Object	Type	Section	Access
CISCO-MGX82XX-DSX3-MIB.dsx3LineNum	cwDsx3ConfigEntry	dsx3LineNum	INTEGER	SNMP, LocalDB	read-only
CISCO-WAN-AXIPOP-MIB.srmT3LineNum	srm3T3CnfGrpEntry	srmT3LineNum	INTEGER	SNMP, LocalDB	read-only
CmgmvCtrlr-MIB.logicalSlot	cmgmvctrlr	logicalSlot	DisplayString	SNMP, cmgmvCtrlrDB Section	read-write

CMGMVSONET Class

Table A-18 CMGMVSONET Class Attributes

Name	Module	Object	Type	Section	Access
CISCO-MGX82XX-SONET-MIB.cwSonetLineCurrentLineNum	cwSonetLineCurrentEntry	cwSonetLineCurrentLineNum	INTEGER	SNMP, LocalDB	read-only
CISCO-MGX82XX-SONET-MIB.sectionAlarmLineNum	sonetSectionAlarmEntry	sectionAlarmLineNum	INTEGER	SNMP, LocalDB	read-only
CISCO-MGX82XX-SONET-MIB.sonetLineAlarmLineNum	sonetLineAlarmEntry	sonetLineAlarmLineNum	INTEGER	SNMP, LocalDB	read-only
CISCO-MGX82XX-SONET-MIB.sonetLineNum	sonetConfigEntry	sonetLineNum	INTEGER	SNMP, LocalDB	read-only
CISCO-MGX82XX-SONET-MIB.sonetPathAlarmLineNum	sonetPathAlarmEntry	sonetPathAlarmLineNum	INTEGER	SNMP, LocalDB	read-only
CmgmvCtrlr-MIB.logicalSlot	cmgmvctrlr	logicalSlot	DisplayString	SNMP, cmgmvCtrlrDB Section	read-write

CMGMVSONET_PXM1 Class

Table A-19 CMGMVSONET_PXM1 Class Attributes

Name	Module	Object	Type	Section	Access
CISCO-MGX82XX-SONET-MIB .cwSonetLineCurrentLineNum	cwSonetLineCurrentEntry	cwSonetLineCurrentLineNum	INTEGER	SNMP, LocalDB	read-only
CISCO-MGX82XX-SONET-MIB .sectionAlarmLineNum	sonetSectionAlarmEntry	sectionAlarmLineNum	INTEGER	SNMP, LocalDB	read-only
CISCO-MGX82XX-SONET-MIB .sonetLineAlarmLineNum	sonetLineAlarmEntry	sonetLineAlarmLineNum	INTEGER	SNMP, LocalDB	read-only
CISCO-MGX82XX-SONET-MIB .sonetLineNum	sonetConfigEntry	sonetLineNum	INTEGER	SNMP, LocalDB	read-only
CISCO-MGX82XX-SONET-MIB .sonetPathAlarmLineNum	sonetPathAlarmEntry	sonetPathAlarmLineNum	INTEGER	SNMP, LocalDB	read-only
CISCO-WAN-AXIPOP-MIB.atm LineCnfNum	atmLineCnfEntry	atmLineCnfNum	INTEGER	SNMP, LocalDB	read-only
CmgmvCtrl-MIB.logicalSlot	cmgmvctrl	logicalSlot	DisplayString	SNMP, cmgmvCtrlDB Section	read-write

CMGMVFastEther Class

Table A-20 CMGMVFastEther Class Attributes

Name	Module	Object	Type	Section	Access
CmgmvCtrl-MIB.logicalSlot	cmgmvctrl	logicalSlot	DisplayString	SNMP, cmgmvCtrlDB Section	read-write

CMGMVSite Class

Table A-21 CMGMVSite Class Attributes

Name	Module	Object	Type	Section	Access
CmgmvCtrl-MIB.siteName	cmgmvctrl	siteName	DisplayString	SNMP, cmgmvCtrlDB Section	read-write
RTM-MIB.managerIPAddress	trapConfigEntry	managerIPAddress	IpAddress	SNMP, LocalDB	read-write

CMGMVMGX8250 Class

Table A-22 CMGMVMGX8250 Class Attributes

Name	Module	Object	Type	Section	Access
BASIS-SHELF-MIB.apsIpAddresses	basisShelf	apsIpAddress	IpAddress	SNMP	read-write
BASIS-SHELF-MIB.axisFeederTkNo	basisShelf	axisFeederTkNo	INTEGER	SNMP	read-write
BASIS-SHELF-MIB.axisSvcBilling	basisShelf	axisSvcBilling	INTEGER	SNMP	read-write
BASIS-SHELF-MIB.axisSvcBillingBucketInterval	basisShelf	axisSvcBillingBucketInterval	INTEGER	SNMP	read-write
BASIS-SHELF-MIB.axisSvcBillingColInterval	basisShelf	axisSvcBillingColInterval	INTEGER	SNMP	read-write
BASIS-SHELF-MIB.redundantApsIpAddress	basisShelf	redundantApsIpAddress	IpAddress	SNMP	read-write
BASIS-SHELF-MIB.shelfAlarmCardBitMap	basisShelf	shelfAlarmCardBitMap	INTEGER	SNMP	read-only
BASIS-SHELF-MIB.shelfBkplnSerialNum	basisShelf	shelfBkplnSerialNum	DisplayString	SNMP	read-only
BASIS-SHELF-MIB.shelfBkplnType	basisShelf	shelfBkplnType	INTEGER	SNMP	read-only
BASIS-SHELF-MIB.shelfDate	basisShelf	shelfDate	DisplayString	SNMP	read-write
BASIS-SHELF-MIB.shelfIntegratedAlarm	basisShelf	shelfIntegratedAlarm	INTEGER	SNMP	read-only
BASIS-SHELF-MIB.shelfNodeName	basisShelf	shelfNodeName	DisplayString	SNMP	read-write
BASIS-SHELF-MIB.shelfNum	shelfEntry	shelfNum	INTEGER	SNMP, LocalDB	read-only

Table A-22 CMGMVMGX8250 Class Attributes (continued)

BASIS-SHELF-MIB.shelfNumOfValidEntries	basisShelf	shelfNumOfValidEntries	INTEGER	SNMP	read-only
BASIS-SHELF-MIB.shelfPowerSupplyVoltage	basisShelf	shelfPowerSupplyVoltage	INTEGER	SNMP	read-only
BASIS-SHELF-MIB.shelfTime	basisShelf	shelfTime	DisplayString	SNMP	read-write
BASIS-SHELF-MIB.shelfTmZn	basisShelf	shelfTmZn	INTEGER	SNMP	read-write
BASIS-SHELF-MIB.shelfTmZnGMTOff	basisShelf	shelfTmZnGMTOff	INTEGER	SNMP	read-write
BASIS-SHELF-MIB.statsBucketInterval	basisShelf	statsBucketInterval	INTEGER	SNMP	read-only
BASIS-SHELF-MIB.statsCollectionInterval	basisShelf	statsCollectionInterval	INTEGER	SNMP	read-only
BASIS-SHELF-MIB.statsMasterIpAddress	basisShelf	statsMasterIpAddress	IpAddress	SNMP	read-only
BASIS-SHELF-MIB.userName	basisShelf	userName	DisplayString	SNMP	read-only
CmgmvCtrl-MIB.cmgmvChassisState	cmgmvctrl	cmgmvChassisState	DisplayString	SNMP, cmgmvCtrlDB Section	read-write
CmgmvCtrl-MIB.cmgmvReadOnlyCommString	cmgmvctrl	cmgmvReadOnlyCommString	DisplayString	SNMP, LocalDB	read-write
CmgmvCtrl-MIB.cmgmvReadWriteCommString	cmgmvctrl	cmgmvReadWriteCommString	DisplayString	SNMP, LocalDB	read-write
CmgmvCtrl-MIB.configSRAction	cmgmvctrl	configSRAction	DisplayString	SNMP, cmgmvCtrlDB Section	read-write
CmgmvCtrl-MIB.configSRBackupID	cmgmvctrl	configSRBackupID	DisplayString	SNMP, cmgmvCtrlDB Section	read-write
CmgmvCtrl-MIB.configSRLogin	cmgmvctrl	configSRLogin	DisplayString	SNMP, cmgmvCtrlDB Section	read-write
CmgmvCtrl-MIB.configSRPassword	cmgmvctrl	configSRPassword	DisplayString	SNMP, cmgmvCtrlDB Section	read-write
CmgmvCtrl-MIB.cviewServerIPAddress	cmgmvctrl	cviewServerIPAddress	DisplayString	SNMP, cmgmvCtrlDB Section	read-write
CmgmvCtrl-MIB.imageDownloadSrcDirectory	cmgmvctrl	imageDownloadSrcDirectory	DisplayString	SNMP, cmgmvCtrlDB Section	read-write
CmgmvCtrl-MIB.imgDnldVismSlotNumber	cmgmvctrl	imgDnldVismSlotNumber	DisplayString	SNMP, cmgmvCtrlDB Section	read-write

Table A-22 CMGMVMGX8250 Class Attributes (continued)

CmgmvCtrl-MIB.lastSyncUpTimestamp	cmgmvctrl	lastSyncUpTimestamp	DisplayString	SNMP, cmgmvCtrlDB Section	read-write
CmgmvCtrl-MIB.pxmSrcFile	cmgmvctrl	pxmSrcFile	DisplayString	SNMP, cmgmvCtrlDB Section	read-write
CmgmvCtrl-MIB.rpmSrcFile	cmgmvctrl	rpmSrcFile	DisplayString	SNMP, cmgmvCtrlDB Section	read-write
CmgmvCtrl-MIB.trapRegOp	cmgmvctrl	trapRegOp	DisplayString	SNMP, cmgmvCtrlDB Section	read-write
CmgmvCtrl-MIB.vismSrcFile	cmgmvctrl	vismSrcFile	DisplayString	SNMP, cmgmvCtrlDB Section	read-write
RTM-MIB.managerIPAddress	trapConfigEntry	managerIPAddress	IpAddress	SNMP, LocalDB	read-write
SNMPv2-MIB.sysContact	system	sysContact	DisplayString	SNMP	read-write
SNMPv2-MIB.sysDescr	system	sysDescr	DisplayString	SNMP	read-only
SNMPv2-MIB.sysLocation	system	sysLocation	DisplayString	SNMP	read-write
SNMPv2-MIB.sysName	system	sysName	DisplayString	SNMP	read-write
SNMPv2-MIB.sysObjectID	system	sysObjectID	OBJECT	SNMP	read-only
SNMPv2-MIB.sysServices	system	sysServices	INTEGER	SNMP	read-only
SNMPv2-MIB.sysUpTime	system	sysUpTime	TimeTicks	SNMP	read-only

CMGMVSessionSet Class

Table A-23 CMGMVSessionSet Class Attributes

Name	Module	Object	Type	Section	Access
VISM-SESSION-MIB.vismSessionSetNum	vismSessionSetEntry	vismSessionSetNum	INTEGER	SNMP, LocalDB	read-only

CMGMVMGX8230 Class

Table A-24 CMGMVMGX8230 Class Attributes

Name	Module	Object	Type	Section	Access
BASIS-SHELF-MIB.apsIpAddress	basisShelf	apsIpAddress	IpAddress	SNMP	read-write
BASIS-SHELF-MIB.axisFeederTkNo	basisShelf	axisFeederTkNo	INTEGER	SNMP	read-write
BASIS-SHELF-MIB.axisSvcBilling	basisShelf	axisSvcBilling	INTEGER	SNMP	read-write
BASIS-SHELF-MIB.axisSvcBillingBucketInterval	basisShelf	axisSvcBillingBucketInterval	INTEGER	SNMP	read-write
BASIS-SHELF-MIB.axisSvcBillingCollInterval	basisShelf	axisSvcBillingCollInterval	INTEGER	SNMP	read-write
BASIS-SHELF-MIB.redundantApsIpAddress	basisShelf	redundantApsIpAddress	IpAddress	SNMP	read-write
BASIS-SHELF-MIB.shelfAlarmCardBitMap	basisShelf	shelfAlarmCardBitMap	INTEGER	SNMP	read-only
BASIS-SHELF-MIB.shelfBkplnSerialNum	basisShelf	shelfBkplnSerialNum	DisplayString	SNMP	read-only
BASIS-SHELF-MIB.shelfBkPlnType	basisShelf	shelfBkPlnType	INTEGER	SNMP	read-only
BASIS-SHELF-MIB.shelfDate	basisShelf	shelfDate	DisplayString	SNMP	read-write
BASIS-SHELF-MIB.shelfIntegratedAlarm	basisShelf	shelfIntegratedAlarm	INTEGER	SNMP	read-only
BASIS-SHELF-MIB.shelfNodeName	basisShelf	shelfNodeName	DisplayString	SNMP	read-write
BASIS-SHELF-MIB.shelfNum	shelfEntry	shelfNum	INTEGER	SNMP, LocalDB	read-only
BASIS-SHELF-MIB.shelfNumOfValidEntries	basisShelf	shelfNumOfValidEntries	INTEGER	SNMP	read-only
BASIS-SHELF-MIB.shelfPowerSupplyVoltage	basisShelf	shelfPowerSupplyVoltage	INTEGER	SNMP	read-only
BASIS-SHELF-MIB.shelfTime	basisShelf	shelfTime	DisplayString	SNMP	read-write
BASIS-SHELF-MIB.shelfTmZn	basisShelf	shelfTmZn	INTEGER	SNMP	read-write
BASIS-SHELF-MIB.shelfTmZnGMTOff	basisShelf	shelfTmZnGMTOff	INTEGER	SNMP	read-write
BASIS-SHELF-MIB.statsBucketInterval	basisShelf	statsBucketInterval	INTEGER	SNMP	read-only
BASIS-SHELF-MIB.statsCollectionInterval	basisShelf	statsCollectionInterval	INTEGER	SNMP	read-only

Table A-24 CMGMVMGX8230 Class Attributes (continued)

BASIS-SHELF-MIB.statsMasterIpAddress	basisShelf	statsMasterIpAddress	IpAddress	SNMP	read-only
BASIS-SHELF-MIB.userName	basisShelf	userName	DisplayString	SNMP	read-only
CmgmvCtrl-MIB.cmgmvChassisState	cmgmvctrl	cmgmvChassisState	DisplayString	SNMP, cmgmvCtrlDB Section	read-write
CmgmvCtrl-MIB.cmgmvReadOnlyCommString	cmgmvctrl	cmgmvReadOnlyCommString	DisplayString	SNMP, LocalDB	read-write
CmgmvCtrl-MIB.cmgmvReadWriteCommString	cmgmvctrl	cmgmvReadWriteCommString	DisplayString	SNMP, LocalDB	read-write
CmgmvCtrl-MIB.configSRAction	cmgmvctrl	configSRAction	DisplayString	SNMP, cmgmvCtrlDB Section	read-write
CmgmvCtrl-MIB.configSRBackupID	cmgmvctrl	configSRBackupID	DisplayString	SNMP, cmgmvCtrlDB Section	read-write
CmgmvCtrl-MIB.configSRLogin	cmgmvctrl	configSRLogin	DisplayString	SNMP, cmgmvCtrlDB Section	read-write
CmgmvCtrl-MIB.configSRPassword	cmgmvctrl	configSRPassword	DisplayString	SNMP, cmgmvCtrlDB Section	read-write
CmgmvCtrl-MIB.cviewServerIPAddress	cmgmvctrl	cviewServerIPAddress	DisplayString	SNMP, cmgmvCtrlDB Section	read-write
CmgmvCtrl-MIB.imageDownloadSrcDirectory	cmgmvctrl	imageDownloadSrcDirectory	DisplayString	SNMP, cmgmvCtrlDB Section	read-write
CmgmvCtrl-MIB.imgDnldVismSlotNumber	cmgmvctrl	imgDnldVismSlotNumber	DisplayString	SNMP, cmgmvCtrlDB Section	read-write
CmgmvCtrl-MIB.lastSyncUpTimestamp	cmgmvctrl	lastSyncUpTimestamp	DisplayString	SNMP, cmgmvCtrlDB Section	read-write
CmgmvCtrl-MIB.pxmSrcFile	cmgmvctrl	pxmSrcFile	DisplayString	SNMP, cmgmvCtrlDB Section	read-write
CmgmvCtrl-MIB.rpmSrcFile	cmgmvctrl	rpmSrcFile	DisplayString	SNMP, cmgmvCtrlDB Section	read-write
CmgmvCtrl-MIB.trapRegOp	cmgmvctrl	trapRegOp	DisplayString	SNMP, cmgmvCtrlDB Section	read-write

Table A-24 CMGMVMGX8230 Class Attributes (continued)

CmgmvCtrl-MIB.vismSrcFile	cmgmvctrl	vismSrcFile	DisplayString	SNMP, cmgmvCtrlDB Section	read-write
RTM-MIB.managerIPAddress	trapConfigEntry	managerIPAddress	IpAddress	SNMP, LocalDB	read-write
SNMPv2-MIB.sysContact	system	sysContact	DisplayString	SNMP	read-write
SNMPv2-MIB.sysDescr	system	sysDescr	DisplayString	SNMP	read-only
SNMPv2-MIB.sysLocation	system	sysLocation	DisplayString	SNMP	read-write
SNMPv2-MIB.sysName	system	sysName	DisplayString	SNMP	read-write
SNMPv2-MIB.sysObjectID	system	sysObjectID	OBJECT	SNMP	read-only
SNMPv2-MIB.sysServices	system	sysServices	INTEGER	SNMP	read-only
SNMPv2-MIB.sysUpTime	system	sysUpTime	TimeTicks	SNMP	read-only

CMGMVSessionGrp Class

Table A-25 CMGMVSessionGrp Class Attributes

Name	Module	Object	Type	Section	Access
VISM-SESSION-MIB.vismSessionGrpNum	vismSessionGrpEntry	vismSessionGrpNum	INTEGER	SNMP, LocalDB	read-only

CMGMVRudpSession Class

Table A-26 CMGMVRudpSession Class Attributes

Name	Module	Object	Type	Section	Access
VISM-SESSION-MIB.vismRudpSessionNum	vismRudpSessionConfEntry	vismRudpSessionNum	INTEGER	SNMP, LocalDB	read-only

CMGMVServiceModule Class

Table A-27 CMGMVServiceModule Class Attributes

Name	Module	Object	Type	Section	Access
BASIS-GENERIC-MIB.configChangeTypeBitMap	cardInformation	configChangeTypeBitMap	INTEGER	SNMP	read-only
BASIS-GENERIC-MIB.functionModuleDescription	cardInformation	functionModuleDescription	DisplayString	SNMP	read-only
BASIS-GENERIC-MIB.functionModuleFWRev	cardInformation	functionModuleFWRev	DisplayString	SNMP	read-only
BASIS-GENERIC-MIB.functionModuleHWRev	cardInformation	functionModuleHWRev	DisplayString	SNMP	read-only
BASIS-GENERIC-MIB.functionModuleResetReason	cardInformation	functionModuleResetReason	INTEGER	SNMP	read-only
BASIS-GENERIC-MIB.functionModuleSerialNum	cardInformation	functionModuleSerialNum	DisplayString	SNMP	read-only
BASIS-GENERIC-MIB.functionModuleState	cardInformation	functionModuleState	INTEGER	SNMP	read-only
BASIS-GENERIC-MIB.functionModuleType	cardInformation	functionModuleType	INTEGER	SNMP	read-only
BASIS-GENERIC-MIB.lineModuleDescription	cardInformation	lineModuleDescription	DisplayString	SNMP	read-only
BASIS-GENERIC-MIB.lineModuleFWRev	cardInformation	lineModuleFWRev	DisplayString	SNMP	read-only
BASIS-GENERIC-MIB.lineModuleHWRev	cardInformation	lineModuleHWRev	DisplayString	SNMP	read-only
BASIS-GENERIC-MIB.lineModuleSerialNum	cardInformation	lineModuleSerialNum	DisplayString	SNMP	read-only
BASIS-GENERIC-MIB.lineModuleState	cardInformation	lineModuleState	INTEGER	SNMP	read-only
BASIS-GENERIC-MIB.lineModuleType	cardInformation	lineModuleType	INTEGER	SNMP	read-only
BASIS-GENERIC-MIB.mibVersionNumber	cardInformation	mibVersionNumber	INTEGER	SNMP	read-only
BASIS-GENERIC-MIB.moduleSlotNumber	cardInformation	moduleSlotNumber	INTEGER	SNMP	read-only
BASIS-GENERIC-MIB.moduleTrapAlarmSeverity	cardInformation	moduleTrapAlarmSeverity	INTEGER	SNMP	read-only
CmgmvCtrlr-MIB.logicalSlot	cmgmvctrlr	logicalSlot	DisplayString	SNMP, cmgmvCtrlrDB Section	read-write

CMGMVDummyChassis Class

Table A-28 CMGMVDummyChassis Class Attributes

Name	Module	Object	Type	Section	Access
SNMPv2-MIB.sysContact	system	sysContact	DisplayString	SNMP	read-write
SNMPv2-MIB.sysDescr	system	sysDescr	DisplayString	SNMP	read-only
SNMPv2-MIB.sysLocation	system	sysLocation	DisplayString	SNMP	read-write
SNMPv2-MIB.sysName	system	sysName	DisplayString	SNMP	read-write
SNMPv2-MIB.sysObjectID	system	sysObjectID	OBJECT	SNMP	read-only
SNMPv2-MIB.sysORLastChange	system	sysORLastChange	TimeStamp	SNMP	read-only
SNMPv2-MIB.sysServices	system	sysServices	INTEGER	SNMP	read-only
SNMPv2-MIB.sysUpTime	system	sysUpTime	TimeTicks	SNMP	read-only

CMGMVPXM1 Class

Table A-29 CMGMVPXM1 Class Attributes

Name	Module	Object	Type	Section	Access
BASIS-GENERIC-MIB.cardIntegratedAlarmBitMap	cardInformation	cardIntegratedAlarmBitMap	INTEGER	SNMP	read-only
BASIS-GENERIC-MIB.cleiCode	cardInformation	cleiCode	DisplayString	SNMP	read-only
BASIS-GENERIC-MIB.configChangeObjectIndex	cardInformation	configChangeObjectIndex	INTEGER	SNMP	read-only
BASIS-GENERIC-MIB.configChangeStatus	cardInformation	configChangeStatus	INTEGER	SNMP	read-only
BASIS-GENERIC-MIB.configChangeTypeBitMap	cardInformation	configChangeTypeBitMap	INTEGER	SNMP	read-only
BASIS-GENERIC-MIB.finalTestTechnician	cardInformation	finalTestTechnician	DisplayString	SNMP	read-only
BASIS-GENERIC-MIB.functionModuleDescription	cardInformation	functionModuleDescription	DisplayString	SNMP	read-only
BASIS-GENERIC-MIB.functionModuleFWRev	cardInformation	functionModuleFWRev	DisplayString	SNMP	read-only
BASIS-GENERIC-MIB.functionModuleHWRev	cardInformation	functionModuleHWRev	DisplayString	SNMP	read-only
BASIS-GENERIC-MIB.functionModuleResetReason	cardInformation	functionModuleResetReason	INTEGER	SNMP	read-only
BASIS-GENERIC-MIB.functionModuleSerialNum	cardInformation	functionModuleSerialNum	DisplayString	SNMP	read-only

Table A-29 CMGMVPXM1 Class Attributes (continued)

BASIS-GENERIC-MIB.functionModuleState	cardInformation	functionModuleState	INTEGER	SNMP	read-only
BASIS-GENERIC-MIB.functionModuleType	cardInformation	functionModuleType	INTEGER	SNMP	read-only
BASIS-GENERIC-MIB.hwFailures	cardInformation	hwFailures	INTEGER	SNMP	read-only
BASIS-GENERIC-MIB.hwHistory	cardInformation	hwHistory	INTEGER	SNMP	read-only
BASIS-GENERIC-MIB.lineModuleDescription	cardInformation	lineModuleDescription	DisplayString	SNMP	read-only
BASIS-GENERIC-MIB.lineModuleFWRev	cardInformation	lineModuleFWRev	DisplayString	SNMP	read-only
BASIS-GENERIC-MIB.lineModuleHWRev	cardInformation	lineModuleHWRev	DisplayString	SNMP	read-only
BASIS-GENERIC-MIB.lineModuleSerialNum	cardInformation	lineModuleSerialNum	DisplayString	SNMP	read-only
BASIS-GENERIC-MIB.lineModuleState	cardInformation	lineModuleState	INTEGER	SNMP	read-only
BASIS-GENERIC-MIB.lineModuleType	cardInformation	lineModuleType	INTEGER	SNMP	read-only
BASIS-GENERIC-MIB.macAddrBlkSize	cardInformation	macAddrBlkSize	INTEGER	SNMP	read-only
BASIS-GENERIC-MIB.macAddress	cardInformation	macAddress	DisplayString	SNMP	read-only
BASIS-GENERIC-MIB.mibVersionNumber	cardInformation	mibVersionNumber	INTEGER	SNMP	read-only
BASIS-GENERIC-MIB.moduleSlotNumber	cardInformation	moduleSlotNumber	INTEGER	SNMP	read-only
BASIS-GENERIC-MIB.moduleTrapAlarmSeverity	cardInformation	moduleTrapAlarmSeverity	INTEGER	SNMP	read-only
BASIS-GENERIC-MIB.secLineModuleDescription	cardInformation	secLineModuleDescription	DisplayString	SNMP	read-only
BASIS-GENERIC-MIB.secLineModuleFWRev	cardInformation	secLineModuleFWRev	DisplayString	SNMP	read-only
BASIS-GENERIC-MIB.secLineModuleHWRev	cardInformation	secLineModuleHWRev	DisplayString	SNMP	read-only
BASIS-GENERIC-MIB.secLineModuleSerialNum	cardInformation	secLineModuleSerialNum	DisplayString	SNMP	read-only
BASIS-GENERIC-MIB.secLineModuleState	cardInformation	secLineModuleState	INTEGER	SNMP	read-only
BASIS-GENERIC-MIB.secLineModuleType	cardInformation	secLineModuleType	INTEGER	SNMP	read-only

Table A-29 CMGMVPXM1 Class Attributes (continued)

CISCO-WAN-AXIPOP-MIB.asmNumOfValidEntries	basisAsm	asmNumOfValidEntries	INTEGER	SNMP	read-only
CISCO-WAN-AXIPOP-MIB.asmShelfAlarmState	basisAsm	asmShelfAlarmState	INTEGER	SNMP	read-only
CmgmvCtrl-MIB.logicalSlot	cmgmvctrl	logicalSlot	DisplayString	SNMP, cmgmvCtrlDB Section	read-write

CMGMVDS3_SRME Class

Table A-30 CMGMVDS3_SRME Class Attributes

Name	Module	Object	Type	Section	Access
CISCO-MGX82XX-DSX3-MIB.dsx3LineNum	cwDsx3ConfigEntry	dsx3LineNum	INTEGER	SNMP, LocalDB	read-only
CISCO-WAN-AXIPOP-MIB.srmeLineNum	srmeCnfGrpEntry	srmeLineNum	INTEGER	SNMP, LocalDB	read-only
CmgmvCtrl-MIB.logicalSlot	cmgmvctrl	logicalSlot	DisplayString	SNMP, cmgmvCtrlDB Section	read-write
CommonEM-MIB.controllerAction	controllerInfo	controllerAction	DisplayString	SNMP, cmgmvCtrlDB Section	read-write
CommonEM-MIB.controllerPreviousState	controllerInfo	controllerPreviousState	DisplayString	SNMP, cmgmvCtrlDB Section	read-write
CommonEM-MIB.controllerProgress	controllerInfo	controllerProgress	INTEGER	SNMP, cmgmvCtrlDB Section	read-write
CommonEM-MIB.controllerReserved1	controllerInfo	controllerReserved1	OCTET	SNMP, cmgmvCtrlDB Section	read-write
CommonEM-MIB.controllerReserved2	controllerInfo	controllerReserved2	OCTET	SNMP, cmgmvCtrlDB Section	read-write
CommonEM-MIB.controllerReserved3	controllerInfo	controllerReserved3	INTEGER	SNMP, cmgmvCtrlDB Section	read-write
CommonEM-MIB.controllerReserved4	controllerInfo	controllerReserved4	INTEGER	SNMP, cmgmvCtrlDB Section	read-write

Table A-30 CMGMVDS3_SRME Class Attributes (continued)

CommonEM-MIB.controllerState	controllerInfo	controllerState	DisplayString	SNMP, cmgmvCtrlrDB Section	read-write
CommonEM-MIB.controllerState Details	controllerInfo	controllerStateDe tails	DisplayString	SNMP, cmgmvCtrlrDB Section	read-write

CMGMVMGX8850PXM1 Class

Table A-31 CMGMVMGX8850PXM1 Class Attributes

Name	Module	Object	Type	Section	Access
BASIS-SHELF-MIB.apsIpAd dresses	basisShelf	apsIpAddress	IpAddress	SNMP	read-write
BASIS-SHELF-MIB.axisFeederT kNo	basisShelf	axisFeederTkNo	INTEGER	SNMP	read-write
BASIS-SHELF-MIB.axisSvcBilli ng	basisShelf	axisSvcBilling	INTEGER	SNMP	read-write
BASIS-SHELF-MIB.axisSvcBilli ngBucketInterval	basisShelf	axisSvcBillingBuc ketInterval	INTEGER	SNMP	read-write
BASIS-SHELF-MIB.axisSvcBilli ngColInterval	basisShelf	axisSvcBillingColl nterval	INTEGER	SNMP	read-write
BASIS-SHELF-MIB.redundantAp sIpAddress	basisShelf	redundantApsIpAd dress	IpAddress	SNMP	read-write
BASIS-SHELF-MIB.shelfAlarmC ardBitMap	basisShelf	shelfAlarmCardBit Map	INTEGER	SNMP	read-only
BASIS-SHELF-MIB.shelfBkplnS erialNum	basisShelf	shelfBkplnSerialNu m	DisplayString	SNMP	read-only
BASIS-SHELF-MIB.shelfBkPlnT ype	basisShelf	shelfBkPlnType	INTEGER	SNMP	read-only
BASIS-SHELF-MIB.shelfDate	basisShelf	shelfDate	DisplayString	SNMP	read-write
BASIS-SHELF-MIB.shelfIntegrat edAlarm	basisShelf	shelfIntegratedAlar m	INTEGER	SNMP	read-only
BASIS-SHELF-MIB.shelfNodeN ame	basisShelf	shelfNodeName	DisplayString	SNMP	read-write
BASIS-SHELF-MIB.shelfNum	shelfEntry	shelfNum	INTEGER	SNMP, LocalDB	read-only
BASIS-SHELF-MIB.shelfNumOf ValidEntries	basisShelf	shelfNumOfValidE ntries	INTEGER	SNMP	read-only
BASIS-SHELF-MIB.shelfPowerS upplyVoltage	basisShelf	shelfPowerSupply Voltage	INTEGER	SNMP	read-only

Table A-31 CMGMVMGX8850PXM1 Class Attributes (continued)

BASIS-SHELF-MIB.shelfTime	basisShelf	shelfTime	DisplayString	SNMP	read-write
BASIS-SHELF-MIB.shelfTmZn	basisShelf	shelfTmZn	INTEGER	SNMP	read-write
BASIS-SHELF-MIB.shelfTmZnGMTOff	basisShelf	shelfTmZnGMTOff	INTEGER	SNMP	read-write
BASIS-SHELF-MIB.statsBucketInterval	basisShelf	statsBucketInterval	INTEGER	SNMP	read-only
BASIS-SHELF-MIB.statsCollectionInterval	basisShelf	statsCollectionInterval	INTEGER	SNMP	read-only
BASIS-SHELF-MIB.statsMasterIpAddress	basisShelf	statsMasterIpAddress	IpAddress	SNMP	read-only
BASIS-SHELF-MIB.userName	basisShelf	userName	DisplayString	SNMP	read-only
CmgmvCtrl-MIB.cmgmvChassisState	cmgmvctrl	cmgmvChassisState	DisplayString	SNMP, cmgmvCtrlDB Section	read-write
CmgmvCtrl-MIB.cmgmvReadOnlyCommString	cmgmvctrl	cmgmvReadOnlyCommString	DisplayString	SNMP, LocalDB	read-write
CmgmvCtrl-MIB.cmgmvReadWriteCommString	cmgmvctrl	cmgmvReadWriteCommString	DisplayString	SNMP, LocalDB	read-write
CmgmvCtrl-MIB.configSRAction	cmgmvctrl	configSRAction	DisplayString	SNMP, cmgmvCtrlDB Section	read-write
CmgmvCtrl-MIB.configSRBackupID	cmgmvctrl	configSRBackupID	DisplayString	SNMP, cmgmvCtrlDB Section	read-write
CmgmvCtrl-MIB.configSRLogin	cmgmvctrl	configSRLogin	DisplayString	SNMP, cmgmvCtrlDB Section	read-write
CmgmvCtrl-MIB.configSRPassword	cmgmvctrl	configSRPassword	DisplayString	SNMP, cmgmvCtrlDB Section	read-write
CmgmvCtrl-MIB.cviewServerIPAddress	cmgmvctrl	cviewServerIPAddress	DisplayString	SNMP, cmgmvCtrlDB Section	read-write
CmgmvCtrl-MIB.imageDownloadSrcDirectory	cmgmvctrl	imageDownloadSrcDirectory	DisplayString	SNMP, cmgmvCtrlDB Section	read-write
CmgmvCtrl-MIB.imgDnldVismSlotNumber	cmgmvctrl	imgDnldVismSlotNumber	DisplayString	SNMP, cmgmvCtrlDB Section	read-write
CmgmvCtrl-MIB.lastSyncUpTimestamp	cmgmvctrl	lastSyncUpTimestamp	DisplayString	SNMP, cmgmvCtrlDB Section	read-write

Table A-31 CMGMVMGX8850PXM1 Class Attributes (continued)

CmgmvCtrl-MIB.pxmSrcFile	cmgmvctrl	pxmSrcFile	DisplayString	SNMP, cmgmvCtrlDB Section	read-write
CmgmvCtrl-MIB.rpmSrcFile	cmgmvctrl	rpmSrcFile	DisplayString	SNMP, cmgmvCtrlDB Section	read-write
CmgmvCtrl-MIB.trapRegOp	cmgmvctrl	trapRegOp	DisplayString	SNMP, cmgmvCtrlDB Section	read-write
CmgmvCtrl-MIB.vismSrcFile	cmgmvctrl	vismSrcFile	DisplayString	SNMP, cmgmvCtrlDB Section	read-write
CommonEM-MIB.controllerAction	controllerInfo	controllerAction	DisplayString	SNMP, cmgmvCtrlDB Section	read-write
CommonEM-MIB.controllerPreviousState	controllerInfo	controllerPreviousState	DisplayString	SNMP, cmgmvCtrlDB Section	read-write
CommonEM-MIB.controllerProgress	controllerInfo	controllerProgress	INTEGER	SNMP, cmgmvCtrlDB Section	read-write
CommonEM-MIB.controllerReserved1	controllerInfo	controllerReserved1	OCTET	SNMP, cmgmvCtrlDB Section	read-write
CommonEM-MIB.controllerReserved2	controllerInfo	controllerReserved2	OCTET	SNMP, cmgmvCtrlDB Section	read-write
CommonEM-MIB.controllerReserved3	controllerInfo	controllerReserved3	INTEGER	SNMP, cmgmvCtrlDB Section	read-write
CommonEM-MIB.controllerReserved4	controllerInfo	controllerReserved4	INTEGER	SNMP, cmgmvCtrlDB Section	read-write
CommonEM-MIB.controllerState	controllerInfo	controllerState	DisplayString	SNMP, cmgmvCtrlDB Section	read-write
CommonEM-MIB.controllerStateDetails	controllerInfo	controllerStateDetails	DisplayString	SNMP, cmgmvCtrlDB Section	read-write
RTM-MIB.managerIPAddress	trapConfigEntry	managerIPAddress	IpAddress	SNMP, LocalDB	read-write
SNMPv2-MIB.sysContact	system	sysContact	DisplayString	SNMP	read-write
SNMPv2-MIB.sysDescr	system	sysDescr	DisplayString	SNMP	read-only
SNMPv2-MIB.sysLocation	system	sysLocation	DisplayString	SNMP	read-write

Table A-31 CMGMVMGX8850PXM1 Class Attributes (continued)

SNMPv2-MIB.sysName	system	sysName	DisplayString	SNMP	read-write
SNMPv2-MIB.sysObjectID	system	sysObjectID	OBJECT	SNMP	read-only
SNMPv2-MIB.sysServices	system	sysServices	INTEGER	SNMP	read-only
SNMPv2-MIB.sysUpTime	system	sysUpTime	TimeTicks	SNMP	read-only

CMGMVRPM-PR Class

Table A-32 CMGMVRPM-PR Class Attributes

Name	Module	Object	Type	Section	Access
CmgmvCtrl-MIB.logicalSlot	cmgmvctrl	logicalSlot	DisplayString	SNMP, cmgmvCtrlDB Section	read-write

CMGMVMGX8850PXM45 Class

Table A-33 CMGMVMGX8850PXM45 Class Attributes

Name	Module	Object	Type	Section	Access
CommonEM-MIB.controllerAction	controllerInfo	controllerAction	DisplayString	SNMP, cmgmvCtrlDB Section	read-write
CommonEM-MIB.controllerPreviousState	controllerInfo	controllerPreviousState	DisplayString	SNMP, cmgmvCtrlDB Section	read-write
CommonEM-MIB.controllerProgress	controllerInfo	controllerProgress	INTEGER	SNMP, cmgmvCtrlDB Section	read-write
CommonEM-MIB.controllerReserved1	controllerInfo	controllerReserved1	OCTET	SNMP, cmgmvCtrlDB Section	read-write
CommonEM-MIB.controllerReserved2	controllerInfo	controllerReserved2	OCTET	SNMP, cmgmvCtrlDB Section	read-write
CommonEM-MIB.controllerReserved3	controllerInfo	controllerReserved3	INTEGER	SNMP, cmgmvCtrlDB Section	read-write

CMGMVPop1AtmInterface Class

Table A-33 CMGMVMGX8850PXM45 Class Attributes (continued)

CommonEM-MIB.controllerReserved4	controllerInfo	controllerReserved4	INTEGER	SNMP, cmgmvCtrlrDB Section	read-write
CommonEM-MIB.controllerState	controllerInfo	controllerState	DisplayString	SNMP, cmgmvCtrlrDB Section	read-write
CommonEM-MIB.controllerStateDetails	controllerInfo	controllerStateDetails	DisplayString	SNMP, cmgmvCtrlrDB Section	read-write
ENTITY-MIB.entPhysicalIndex	entPhysicalEntry	entPhysicalIndex	PhysicalIndex	SNMP, LocalDB	not-accessible
RTM-MIB.managerIPAddress	trapConfigEntry	managerIPAddress	IpAddress	SNMP, LocalDB	read-write
SNMPv2-MIB.sysContact	system	sysContact	DisplayString	SNMP	read-write
SNMPv2-MIB.sysDescr	system	sysDescr	DisplayString	SNMP	read-only
SNMPv2-MIB.sysLocation	system	sysLocation	DisplayString	SNMP	read-write
SNMPv2-MIB.sysName	system	sysName	DisplayString	SNMP	read-write
SNMPv2-MIB.sysObjectID	system	sysObjectID	OBJECT	SNMP	read-only
SNMPv2-MIB.sysServices	system	sysServices	INTEGER	SNMP	read-only
SNMPv2-MIB.sysUpTime	system	sysUpTime	TimeTicks	SNMP	read-only

CMGMVPop1AtmInterface Class

Table A-34 CMGMVPop1AtmInterface Class Attributes

Name	Module	Object	Type	Section	Access
CmgmvCtrlr-MIB.logicalSlot	cmgmvctrlr	logicalSlot	DisplayString	SNMP, cmgmvCtrlrDB Section	read-write
CommonEM-MIB.controllerAction	controllerInfo	controllerAction	DisplayString	SNMP, cmgmvCtrlrDB Section	read-write
CommonEM-MIB.controllerPreviousState	controllerInfo	controllerPreviousState	DisplayString	SNMP, cmgmvCtrlrDB Section	read-write
CommonEM-MIB.controllerProgress	controllerInfo	controllerProgress	INTEGER	SNMP, cmgmvCtrlrDB Section	read-write
CommonEM-MIB.controllerReserved1	controllerInfo	controllerReserved1	OCTET	SNMP, cmgmvCtrlrDB Section	read-write

Table A-34 CMGMVPop1AtmInterface Class Attributes (continued)

CommonEM-MIB.controllerReserved2	controllerInfo	controllerReserved2	OCTET	SNMP, cmgmVCtrlrDB Section	read-write
CommonEM-MIB.controllerReserved3	controllerInfo	controllerReserved3	INTEGER	SNMP, cmgmVCtrlrDB Section	read-write
CommonEM-MIB.controllerReserved4	controllerInfo	controllerReserved4	INTEGER	SNMP, cmgmVCtrlrDB Section	read-write
CommonEM-MIB.controllerState	controllerInfo	controllerState	DisplayString	SNMP, cmgmVCtrlrDB Section	read-write
CommonEM-MIB.controllerStateDetails	controllerInfo	controllerStateDetails	DisplayString	SNMP, cmgmVCtrlrDB Section	read-write

CMGMVPop2Card Class

Table A-35 CMGMVPop2Card Class Attributes

Name	Module	Object	Type	Section	Access
CmgmvCtrlr-MIB.logicalSlot	cmgmVctrlr	logicalSlot	DisplayString	SNMP, cmgmVCtrlrDB Section	read-write
CmgmvCtrlr-MIB.primLineModuleDescr	cmgmVctrlr	primLineModuleDescr	DisplayString	SNMP, cmgmVCtrlrDB Section	read-write
CmgmvCtrlr-MIB.primLineModuleHWRev	cmgmVctrlr	primLineModuleHWRev	DisplayString	SNMP, cmgmVCtrlrDB Section	read-write
CmgmvCtrlr-MIB.primLineModuleSerialNum	cmgmVctrlr	primLineModuleSerialNum	DisplayString	SNMP, cmgmVCtrlrDB Section	read-write
CmgmvCtrlr-MIB.primLineModuleState	cmgmVctrlr	primLineModuleState	DisplayString	SNMP, cmgmVCtrlrDB Section	read-write
CmgmvCtrlr-MIB.primLineModuleType	cmgmVctrlr	primLineModuleType	DisplayString	SNMP, cmgmVCtrlrDB Section	read-write
CmgmvCtrlr-MIB.secLineModuleDescr	cmgmVctrlr	secLineModuleDescr	DisplayString	SNMP, cmgmVCtrlrDB Section	read-write

Table A-35 CMGMVPop2Card Class Attributes (continued)

CmgmvCtrl-MIB.secLineModuleHWRev2	cmgmvctrl	secLineModuleHWRev2	DisplayString	SNMP, cmgmvCtrlDB Section	read-write
CmgmvCtrl-MIB.secLineModuleSerialNum2	cmgmvctrl	secLineModuleSerialNum2	DisplayString	SNMP, cmgmvCtrlDB Section	read-write
CmgmvCtrl-MIB.secLineModuleState2	cmgmvctrl	secLineModuleState2	DisplayString	SNMP, cmgmvCtrlDB Section	read-write
CmgmvCtrl-MIB.secLineModuleType2	cmgmvctrl	secLineModuleType2	DisplayString	SNMP, cmgmvCtrlDB Section	read-write
ENTITY-MIB.entPhysicalIndex	entPhysicalEntry	entPhysicalIndex	PhysicalIndex	SNMP, LocalDB	not-accessible

CMGMVPop2ServiceModule Class

Table A-36 CMGMVPop2ServiceModule Class Attributes

Name	Module	Object	Type	Section	Access
CmgmvCtrl-MIB.logicalSlot	cmgmvctrl	logicalSlot	DisplayString	SNMP, cmgmvCtrlDB Section	read-write
CmgmvCtrl-MIB.primLineModuleDescr	cmgmvctrl	primLineModuleDescr	DisplayString	SNMP, cmgmvCtrlDB Section	read-write
CmgmvCtrl-MIB.primLineModuleHWRev	cmgmvctrl	primLineModuleHWRev	DisplayString	SNMP, cmgmvCtrlDB Section	read-write
CmgmvCtrl-MIB.primLineModuleSerialNum	cmgmvctrl	primLineModuleSerialNum	DisplayString	SNMP, cmgmvCtrlDB Section	read-write
CmgmvCtrl-MIB.primLineModuleState	cmgmvctrl	primLineModuleState	DisplayString	SNMP, cmgmvCtrlDB Section	read-write
CmgmvCtrl-MIB.primLineModuleType	cmgmvctrl	primLineModuleType	DisplayString	SNMP, cmgmvCtrlDB Section	read-write
CmgmvCtrl-MIB.secLineModuleDescr	cmgmvctrl	secLineModuleDescr	DisplayString	SNMP, cmgmvCtrlDB Section	read-write

Table A-36 CMGMVPop2ServiceModule Class Attributes (continued)

CmgmvCtrl-MIB.secLineModuleHWRev2	cmgmvctrl	secLineModuleHWRev2	DisplayString	SNMP, cmgmvCtrlDB Section	read-write
CmgmvCtrl-MIB.secLineModuleSerialNum2	cmgmvctrl	secLineModuleSerialNum2	DisplayString	SNMP, cmgmvCtrlDB Section	read-write
CmgmvCtrl-MIB.secLineModuleState2	cmgmvctrl	secLineModuleState2	DisplayString	SNMP, cmgmvCtrlDB Section	read-write
CmgmvCtrl-MIB.secLineModuleType2	cmgmvctrl	secLineModuleType2	DisplayString	SNMP, cmgmvCtrlDB Section	read-write
CommonEM-MIB.controllerAction	controllerInfo	controllerAction	DisplayString	SNMP, cmgmvCtrlDB Section	read-write
CommonEM-MIB.controllerPreviousState	controllerInfo	controllerPreviousState	DisplayString	SNMP, cmgmvCtrlDB Section	read-write
CommonEM-MIB.controllerProgress	controllerInfo	controllerProgress	INTEGER	SNMP, cmgmvCtrlDB Section	read-write
CommonEM-MIB.controllerReserved1	controllerInfo	controllerReserved1	OCTET	SNMP, cmgmvCtrlDB Section	read-write
CommonEM-MIB.controllerReserved2	controllerInfo	controllerReserved2	OCTET	SNMP, cmgmvCtrlDB Section	read-write
CommonEM-MIB.controllerReserved3	controllerInfo	controllerReserved3	INTEGER	SNMP, cmgmvCtrlDB Section	read-write
CommonEM-MIB.controllerReserved4	controllerInfo	controllerReserved4	INTEGER	SNMP, cmgmvCtrlDB Section	read-write
CommonEM-MIB.controllerState	controllerInfo	controllerState	DisplayString	SNMP, cmgmvCtrlDB Section	read-write
CommonEM-MIB.controllerStateDetails	controllerInfo	controllerStateDetails	DisplayString	SNMP, cmgmvCtrlDB Section	read-write
ENTITY-MIB.entPhysicalIndex	entPhysicalEntry	entPhysicalIndex	PhysicalIndex	SNMP, LocalDB	not-accessible

CMGMVPop2SRM Class

Table A-37 CMGMVPop2SRM Class Attributes

Name	Module	Object	Type	Section	Access
CmgmvCtrl-MIB.logicalSlot	cmgmvctrl	logicalSlot	DisplayString	SNMP, cmgmvCtrlrDB Section	read-write
CmgmvCtrl-MIB.primLineModuleDescr	cmgmvctrl	primLineModuleDescr	DisplayString	SNMP, cmgmvCtrlrDB Section	read-write
CmgmvCtrl-MIB.primLineModuleHWRev	cmgmvctrl	primLineModuleHWRev	DisplayString	SNMP, cmgmvCtrlrDB Section	read-write
CmgmvCtrl-MIB.primLineModuleSerialNum	cmgmvctrl	primLineModuleSerialNum	DisplayString	SNMP, cmgmvCtrlrDB Section	read-write
CmgmvCtrl-MIB.primLineModuleState	cmgmvctrl	primLineModuleState	DisplayString	SNMP, cmgmvCtrlrDB Section	read-write
CmgmvCtrl-MIB.primLineModuleType	cmgmvctrl	primLineModuleType	DisplayString	SNMP, cmgmvCtrlrDB Section	read-write
CmgmvCtrl-MIB.secLineModuleDescr	cmgmvctrl	secLineModuleDescr	DisplayString	SNMP, cmgmvCtrlrDB Section	read-write
CmgmvCtrl-MIB.secLineModuleHWRev2	cmgmvctrl	secLineModuleHWRev2	DisplayString	SNMP, cmgmvCtrlrDB Section	read-write
CmgmvCtrl-MIB.secLineModuleSerialNum2	cmgmvctrl	secLineModuleSerialNum2	DisplayString	SNMP, cmgmvCtrlrDB Section	read-write
CmgmvCtrl-MIB.secLineModuleState2	cmgmvctrl	secLineModuleState2	DisplayString	SNMP, cmgmvCtrlrDB Section	read-write
CmgmvCtrl-MIB.secLineModuleType2	cmgmvctrl	secLineModuleType2	DisplayString	SNMP, cmgmvCtrlrDB Section	read-write
CommonEM-MIB.controllerAction	controllerInfo	controllerAction	DisplayString	SNMP, cmgmvCtrlrDB Section	read-write
CommonEM-MIB.controllerPreviousState	controllerInfo	controllerPreviousState	DisplayString	SNMP, cmgmvCtrlrDB Section	read-write

Table A-37 CMGMVPop2SRM Class Attributes (continued)

CommonEM-MIB.controllerProgress	controllerInfo	controllerProgress	INTEGER	SNMP, cmgmvCtrlrDB Section	read-write
CommonEM-MIB.controllerReserved1	controllerInfo	controllerReserved1	OCTET	SNMP, cmgmvCtrlrDB Section	read-write
CommonEM-MIB.controllerReserved2	controllerInfo	controllerReserved2	OCTET	SNMP, cmgmvCtrlrDB Section	read-write
CommonEM-MIB.controllerReserved3	controllerInfo	controllerReserved3	INTEGER	SNMP, cmgmvCtrlrDB Section	read-write
CommonEM-MIB.controllerReserved4	controllerInfo	controllerReserved4	INTEGER	SNMP, cmgmvCtrlrDB Section	read-write
CommonEM-MIB.controllerState	controllerInfo	controllerState	DisplayString	SNMP, cmgmvCtrlrDB Section	read-write
CommonEM-MIB.controllerStateDetails	controllerInfo	controllerStateDetails	DisplayString	SNMP, cmgmvCtrlrDB Section	read-write
ENTITY-MIB.entPhysicalIndex	entPhysicalEntry	entPhysicalIndex	PhysicalIndex	SNMP, LocalDB	not-accessible

CMGMVPop2SRM-E Class

Table A-38 CMGMVPop2SRM-E Class Attributes

Name	Module	Object	Type	Section	Access
CmgmvCtrlr-MIB.logicalSlot	cmgmvctrlr	logicalSlot	DisplayString	SNMP, cmgmvCtrlrDB Section	read-write
CmgmvCtrlr-MIB.primLineModuleDescr	cmgmvctrlr	primLineModuleDescr	DisplayString	SNMP, cmgmvCtrlrDB Section	read-write
CmgmvCtrlr-MIB.primLineModuleHWRev	cmgmvctrlr	primLineModuleHWRev	DisplayString	SNMP, cmgmvCtrlrDB Section	read-write
CmgmvCtrlr-MIB.primLineModuleSerialNum	cmgmvctrlr	primLineModuleSerialNum	DisplayString	SNMP, cmgmvCtrlrDB Section	read-write

Table A-38 CMGMVPop2SRM-E Class Attributes (continued)

CmgmvCtrl-MIB.primLineModuleState	cmgmvctrl	primLineModuleState	DisplayString	SNMP, cmgmvCtrlDB Section	read-write
CmgmvCtrl-MIB.primLineModuleType	cmgmvctrl	primLineModuleType	DisplayString	SNMP, cmgmvCtrlDB Section	read-write
CmgmvCtrl-MIB.secLineModuleDescr	cmgmvctrl	secLineModuleDescr	DisplayString	SNMP, cmgmvCtrlDB Section	read-write
CmgmvCtrl-MIB.secLineModuleHWRev2	cmgmvctrl	secLineModuleHWRev2	DisplayString	SNMP, cmgmvCtrlDB Section	read-write
CmgmvCtrl-MIB.secLineModuleSerialNum2	cmgmvctrl	secLineModuleSerialNum2	DisplayString	SNMP, cmgmvCtrlDB Section	read-write
CmgmvCtrl-MIB.secLineModuleState2	cmgmvctrl	secLineModuleState2	DisplayString	SNMP, cmgmvCtrlDB Section	read-write
CmgmvCtrl-MIB.secLineModuleType2	cmgmvctrl	secLineModuleType2	DisplayString	SNMP, cmgmvCtrlDB Section	read-write
CommonEM-MIB.controllerAction	controllerInfo	controllerAction	DisplayString	SNMP, cmgmvCtrlDB Section	read-write
CommonEM-MIB.controllerPreviousState	controllerInfo	controllerPreviousState	DisplayString	SNMP, cmgmvCtrlDB Section	read-write
CommonEM-MIB.controllerProgress	controllerInfo	controllerProgress	INTEGER	SNMP, cmgmvCtrlDB Section	read-write
CommonEM-MIB.controllerReserved1	controllerInfo	controllerReserved1	OCTET	SNMP, cmgmvCtrlDB Section	read-write
CommonEM-MIB.controllerReserved2	controllerInfo	controllerReserved2	OCTET	SNMP, cmgmvCtrlDB Section	read-write
CommonEM-MIB.controllerReserved3	controllerInfo	controllerReserved3	INTEGER	SNMP, cmgmvCtrlDB Section	read-write
CommonEM-MIB.controllerReserved4	controllerInfo	controllerReserved4	INTEGER	SNMP, cmgmvCtrlDB Section	read-write
CommonEM-MIB.controllerState	controllerInfo	controllerState	DisplayString	SNMP, cmgmvCtrlDB Section	read-write

Table A-38 CMGMVPop2SRM-E Class Attributes (continued)

CommonEM-MIB.controllerStateDetails	controllerInfo	controllerStateDetails	DisplayString	SNMP, cmgmvCtrlrDB Section	read-write
ENTITY-MIB.entPhysicalIndex	entPhysicalEntry	entPhysicalIndex	PhysicalIndex	SNMP, LocalDB	not-accessible

CMGMVPXM1E Class

Table A-39 CMGMVPXM1E Class Attributes

Name	Module	Object	Type	Section	Access
CmgmvCtrlr-MIB.logicalSlot	cmgmvctrlr	logicalSlot	DisplayString	SNMP, cmgmvCtrlrDB Section	read-write
CmgmvCtrlr-MIB.primLineModuleDescr	cmgmvctrlr	primLineModuleDescr	DisplayString	SNMP, cmgmvCtrlrDB Section	read-write
CmgmvCtrlr-MIB.primLineModuleHWRev	cmgmvctrlr	primLineModuleHWRev	DisplayString	SNMP, cmgmvCtrlrDB Section	read-write
CmgmvCtrlr-MIB.primLineModuleSerialNum	cmgmvctrlr	primLineModuleSerialNum	DisplayString	SNMP, cmgmvCtrlrDB Section	read-write
CmgmvCtrlr-MIB.primLineModuleState	cmgmvctrlr	primLineModuleState	DisplayString	SNMP, cmgmvCtrlrDB Section	read-write
CmgmvCtrlr-MIB.primLineModuleType	cmgmvctrlr	primLineModuleType	DisplayString	SNMP, cmgmvCtrlrDB Section	read-write
CmgmvCtrlr-MIB.secLineModuleDescr	cmgmvctrlr	secLineModuleDescr	DisplayString	SNMP, cmgmvCtrlrDB Section	read-write
CmgmvCtrlr-MIB.secLineModuleHWRev2	cmgmvctrlr	secLineModuleHWRev2	DisplayString	SNMP, cmgmvCtrlrDB Section	read-write
CmgmvCtrlr-MIB.secLineModuleSerialNum2	cmgmvctrlr	secLineModuleSerialNum2	DisplayString	SNMP, cmgmvCtrlrDB Section	read-write
CmgmvCtrlr-MIB.secLineModuleState2	cmgmvctrlr	secLineModuleState2	DisplayString	SNMP, cmgmvCtrlrDB Section	read-write

Table A-39 CMGMVPXM1E Class Attributes (continued)

CmgmvCtrl-MIB.secLineModuleType2	cmgmvctrl	secLineModuleType2	DisplayString	SNMP, cmgmvCtrlDB Section	read-write
CommonEM-MIB.controllerAction	controllerInfo	controllerAction	DisplayString	SNMP, cmgmvCtrlDB Section	read-write
CommonEM-MIB.controllerPreviousState	controllerInfo	controllerPreviousState	DisplayString	SNMP, cmgmvCtrlDB Section	read-write
CommonEM-MIB.controllerProgress	controllerInfo	controllerProgress	INTEGER	SNMP, cmgmvCtrlDB Section	read-write
CommonEM-MIB.controllerReserved1	controllerInfo	controllerReserved1	OCTET	SNMP, cmgmvCtrlDB Section	read-write
CommonEM-MIB.controllerReserved2	controllerInfo	controllerReserved2	OCTET	SNMP, cmgmvCtrlDB Section	read-write
CommonEM-MIB.controllerReserved3	controllerInfo	controllerReserved3	INTEGER	SNMP, cmgmvCtrlDB Section	read-write
CommonEM-MIB.controllerReserved4	controllerInfo	controllerReserved4	INTEGER	SNMP, cmgmvCtrlDB Section	read-write
CommonEM-MIB.controllerState	controllerInfo	controllerState	DisplayString	SNMP, cmgmvCtrlDB Section	read-write
CommonEM-MIB.controllerStateDetails	controllerInfo	controllerStateDetails	DisplayString	SNMP, cmgmvCtrlDB Section	read-write
ENTITY-MIB.entPhysicalIndex	entPhysicalEntry	entPhysicalIndex	PhysicalIndex	SNMP, LocalDB	not-accessible

CMGMVPXM45 Class

Table A-40 CMGMVPXM45 Class Attributes

Name	Module	Object	Type	Section	Access
CmgmvCtrl-MIB.logicalSlot	cmgmvctrl	logicalSlot	DisplayString	SNMP, cmgmvCtrlDB Section	read-write
CmgmvCtrl-MIB.primLineModuleDescr	cmgmvctrl	primLineModuleDescr	DisplayString	SNMP, cmgmvCtrlDB Section	read-write
CmgmvCtrl-MIB.primLineModuleHWRev	cmgmvctrl	primLineModuleHWRev	DisplayString	SNMP, cmgmvCtrlDB Section	read-write
CmgmvCtrl-MIB.primLineModuleSerialNum	cmgmvctrl	primLineModuleSerialNum	DisplayString	SNMP, cmgmvCtrlDB Section	read-write
CmgmvCtrl-MIB.primLineModuleState	cmgmvctrl	primLineModuleState	DisplayString	SNMP, cmgmvCtrlDB Section	read-write
CmgmvCtrl-MIB.primLineModuleType	cmgmvctrl	primLineModuleType	DisplayString	SNMP, cmgmvCtrlDB Section	read-write
CmgmvCtrl-MIB.secLineModuleDescr	cmgmvctrl	secLineModuleDescr	DisplayString	SNMP, cmgmvCtrlDB Section	read-write
CmgmvCtrl-MIB.secLineModuleHWRev2	cmgmvctrl	secLineModuleHWRev2	DisplayString	SNMP, cmgmvCtrlDB Section	read-write
CmgmvCtrl-MIB.secLineModuleSerialNum2	cmgmvctrl	secLineModuleSerialNum2	DisplayString	SNMP, cmgmvCtrlDB Section	read-write
CmgmvCtrl-MIB.secLineModuleState2	cmgmvctrl	secLineModuleState2	DisplayString	SNMP, cmgmvCtrlDB Section	read-write
CmgmvCtrl-MIB.secLineModuleType2	cmgmvctrl	secLineModuleType2	DisplayString	SNMP, cmgmvCtrlDB Section	read-write
CommonEM-MIB.controllerAction	controllerInfo	controllerAction	DisplayString	SNMP, cmgmvCtrlDB Section	read-write
CommonEM-MIB.controllerPreviousState	controllerInfo	controllerPreviousState	DisplayString	SNMP, cmgmvCtrlDB Section	read-write

Table A-40 CMGMVPXM45 Class Attributes (continued)

CommonEM-MIB.controllerProgress	controllerInfo	controllerProgress	INTEGER	SNMP, cmgmvCtrlrDB Section	read-write
CommonEM-MIB.controllerReserved1	controllerInfo	controllerReserved1	OCTET	SNMP, cmgmvCtrlrDB Section	read-write
CommonEM-MIB.controllerReserved2	controllerInfo	controllerReserved2	OCTET	SNMP, cmgmvCtrlrDB Section	read-write
CommonEM-MIB.controllerReserved3	controllerInfo	controllerReserved3	INTEGER	SNMP, cmgmvCtrlrDB Section	read-write
CommonEM-MIB.controllerReserved4	controllerInfo	controllerReserved4	INTEGER	SNMP, cmgmvCtrlrDB Section	read-write
CommonEM-MIB.controllerState	controllerInfo	controllerState	DisplayString	SNMP, cmgmvCtrlrDB Section	read-write
CommonEM-MIB.controllerStateDetails	controllerInfo	controllerStateDetails	DisplayString	SNMP, cmgmvCtrlrDB Section	read-write
ENTITY-MIB.entPhysicalIndex	entPhysicalEntry	entPhysicalIndex	PhysicalIndex	SNMP, LocalDB	not-accessible

CMGMVVXSM Class

Table A-41 CMGMVVXSM Class Attributes

Name	Module	Object	Type	Section	Access
CmgmvCtrlr-MIB.logicalSlot	cmgmvctrlr	logicalSlot	DisplayString	SNMP, cmgmvCtrlrDB Section	read-write
CmgmvCtrlr-MIB.primLineModuleDescr	cmgmvctrlr	primLineModuleDescr	DisplayString	SNMP, cmgmvCtrlrDB Section	read-write
CmgmvCtrlr-MIB.primLineModuleHWRev	cmgmvctrlr	primLineModuleHWRev	DisplayString	SNMP, cmgmvCtrlrDB Section	read-write
CmgmvCtrlr-MIB.primLineModuleSerialNum	cmgmvctrlr	primLineModuleSerialNum	DisplayString	SNMP, cmgmvCtrlrDB Section	read-write

Table A-41 CMGMVVXSM Class Attributes (continued)

CmgmvCtrl-MIB.primLineModuleState	cmgmvctrl	primLineModuleState	DisplayString	SNMP, cmgmvCtrlDB Section	read-write
CmgmvCtrl-MIB.primLineModuleType	cmgmvctrl	primLineModuleType	DisplayString	SNMP, cmgmvCtrlDB Section	read-write
CmgmvCtrl-MIB.secLineModuleDescr	cmgmvctrl	secLineModuleDescr	DisplayString	SNMP, cmgmvCtrlDB Section	read-write
CmgmvCtrl-MIB.secLineModuleHWRev2	cmgmvctrl	secLineModuleHWRev2	DisplayString	SNMP, cmgmvCtrlDB Section	read-write
CmgmvCtrl-MIB.secLineModuleSerialNum2	cmgmvctrl	secLineModuleSerialNum2	DisplayString	SNMP, cmgmvCtrlDB Section	read-write
CmgmvCtrl-MIB.secLineModuleState2	cmgmvctrl	secLineModuleState2	DisplayString	SNMP, cmgmvCtrlDB Section	read-write
CmgmvCtrl-MIB.secLineModuleType2	cmgmvctrl	secLineModuleType2	DisplayString	SNMP, cmgmvCtrlDB Section	read-write
CommonEM-MIB.controllerAction	controllerInfo	controllerAction	DisplayString	SNMP, cmgmvCtrlDB Section	read-write
CommonEM-MIB.controllerPreviousState	controllerInfo	controllerPreviousState	DisplayString	SNMP, cmgmvCtrlDB Section	read-write
CommonEM-MIB.controllerProgress	controllerInfo	controllerProgress	INTEGER	SNMP, cmgmvCtrlDB Section	read-write
CommonEM-MIB.controllerReserved1	controllerInfo	controllerReserved1	OCTET	SNMP, cmgmvCtrlDB Section	read-write
CommonEM-MIB.controllerReserved2	controllerInfo	controllerReserved2	OCTET	SNMP, cmgmvCtrlDB Section	read-write
CommonEM-MIB.controllerReserved3	controllerInfo	controllerReserved3	INTEGER	SNMP, cmgmvCtrlDB Section	read-write
CommonEM-MIB.controllerReserved4	controllerInfo	controllerReserved4	INTEGER	SNMP, cmgmvCtrlDB Section	read-write
CommonEM-MIB.controllerState	controllerInfo	controllerState	DisplayString	SNMP, cmgmvCtrlDB Section	read-write

Table A-41 CMGMVVXSM Class Attributes (continued)

CommonEM-MIB.controllerStateDetails	controllerInfo	controllerStateDetails	DisplayString	SNMP, cmgmvCtrlrDB Section	read-write
ENTITY-MIB.entPhysicalIndex	entPhysicalEntry	entPhysicalIndex	PhysicalIndex	SNMP, LocalDB	not-accessible

CMGMVRPM-XF Class

Table A-42 CMGMVRPM-XF Class Attributes

Name	Module	Object	Type	Section	Access
CmgmvCtrlr-MIB.logicalSlot	cmgmvctrlr	logicalSlot	DisplayString	SNMP, cmgmvCtrlrDB Section	read-write
CmgmvCtrlr-MIB.primLineModuleDescr	cmgmvctrlr	primLineModuleDescr	DisplayString	SNMP, cmgmvCtrlrDB Section	read-write
CmgmvCtrlr-MIB.primLineModuleHWRev	cmgmvctrlr	primLineModuleHWRev	DisplayString	SNMP, cmgmvCtrlrDB Section	read-write
CmgmvCtrlr-MIB.primLineModuleSerialNum	cmgmvctrlr	primLineModuleSerialNum	DisplayString	SNMP, cmgmvCtrlrDB Section	read-write
CmgmvCtrlr-MIB.primLineModuleState	cmgmvctrlr	primLineModuleState	DisplayString	SNMP, cmgmvCtrlrDB Section	read-write
CmgmvCtrlr-MIB.primLineModuleType	cmgmvctrlr	primLineModuleType	DisplayString	SNMP, cmgmvCtrlrDB Section	read-write
CmgmvCtrlr-MIB.secLineModuleDescr	cmgmvctrlr	secLineModuleDescr	DisplayString	SNMP, cmgmvCtrlrDB Section	read-write
CmgmvCtrlr-MIB.secLineModuleHWRev2	cmgmvctrlr	secLineModuleHWRev2	DisplayString	SNMP, cmgmvCtrlrDB Section	read-write
CmgmvCtrlr-MIB.secLineModuleSerialNum2	cmgmvctrlr	secLineModuleSerialNum2	DisplayString	SNMP, cmgmvCtrlrDB Section	read-write
CmgmvCtrlr-MIB.secLineModuleState2	cmgmvctrlr	secLineModuleState2	DisplayString	SNMP, cmgmvCtrlrDB Section	read-write

Table A-42 CMGMVRPM-XF Class Attributes (continued)

CmgmvCtrl-MIB.secLineModuleType2	cmgmvctrl	secLineModuleType2	DisplayString	SNMP, cmgmvCtrlDB Section	read-write
CommonEM-MIB.controllerAction	controllerInfo	controllerAction	DisplayString	SNMP, cmgmvCtrlDB Section	read-write
CommonEM-MIB.controllerPreviousState	controllerInfo	controllerPreviousState	DisplayString	SNMP, cmgmvCtrlDB Section	read-write
CommonEM-MIB.controllerProgress	controllerInfo	controllerProgress	INTEGER	SNMP, cmgmvCtrlDB Section	read-write
CommonEM-MIB.controllerReserved1	controllerInfo	controllerReserved1	OCTET	SNMP, cmgmvCtrlDB Section	read-write
CommonEM-MIB.controllerReserved2	controllerInfo	controllerReserved2	OCTET	SNMP, cmgmvCtrlDB Section	read-write
CommonEM-MIB.controllerReserved3	controllerInfo	controllerReserved3	INTEGER	SNMP, cmgmvCtrlDB Section	read-write
CommonEM-MIB.controllerReserved4	controllerInfo	controllerReserved4	INTEGER	SNMP, cmgmvCtrlDB Section	read-write
CommonEM-MIB.controllerState	controllerInfo	controllerState	DisplayString	SNMP, cmgmvCtrlDB Section	read-write
CommonEM-MIB.controllerStateDetails	controllerInfo	controllerStateDetails	DisplayString	SNMP, cmgmvCtrlDB Section	read-write
ENTITY-MIB.entPhysicalIndex	entPhysicalEntry	entPhysicalIndex	PhysicalIndex	SNMP, LocalDB	not-accessible

CMGMVAXSM Class

Table A-43 CMGMVAXSM Class Attributes

Name	Module	Object	Type	Section	Access
CmgmvCtrl-MIB.logicalSlot	cmgmvctrl	logicalSlot	DisplayString	SNMP, cmgmvCtrlDB Section	read-write
CmgmvCtrl-MIB.primLineModuleDescr	cmgmvctrl	primLineModuleDescr	DisplayString	SNMP, cmgmvCtrlDB Section	read-write
CmgmvCtrl-MIB.primLineModuleHWRev	cmgmvctrl	primLineModuleHWRev	DisplayString	SNMP, cmgmvCtrlDB Section	read-write
CmgmvCtrl-MIB.primLineModuleSerialNum	cmgmvctrl	primLineModuleSerialNum	DisplayString	SNMP, cmgmvCtrlDB Section	read-write
CmgmvCtrl-MIB.primLineModuleState	cmgmvctrl	primLineModuleState	DisplayString	SNMP, cmgmvCtrlDB Section	read-write
CmgmvCtrl-MIB.primLineModuleType	cmgmvctrl	primLineModuleType	DisplayString	SNMP, cmgmvCtrlDB Section	read-write
CmgmvCtrl-MIB.secLineModuleDescr	cmgmvctrl	secLineModuleDescr	DisplayString	SNMP, cmgmvCtrlDB Section	read-write
CmgmvCtrl-MIB.secLineModuleHWRev2	cmgmvctrl	secLineModuleHWRev2	DisplayString	SNMP, cmgmvCtrlDB Section	read-write
CmgmvCtrl-MIB.secLineModuleSerialNum2	cmgmvctrl	secLineModuleSerialNum2	DisplayString	SNMP, cmgmvCtrlDB Section	read-write
CmgmvCtrl-MIB.secLineModuleState2	cmgmvctrl	secLineModuleState2	DisplayString	SNMP, cmgmvCtrlDB Section	read-write
CmgmvCtrl-MIB.secLineModuleType2	cmgmvctrl	secLineModuleType2	DisplayString	SNMP, cmgmvCtrlDB Section	read-write
CommonEM-MIB.controllerAction	controllerInfo	controllerAction	DisplayString	SNMP, cmgmvCtrlDB Section	read-write
CommonEM-MIB.controllerPreviousState	controllerInfo	controllerPreviousState	DisplayString	SNMP, cmgmvCtrlDB Section	read-write

Table A-43 CMGMVAXSM Class Attributes (continued)

CommonEM-MIB.controllerProgress	controllerInfo	controllerProgress	INTEGER	SNMP, cmgmvCtrlrDB Section	read-write
CommonEM-MIB.controllerReserved1	controllerInfo	controllerReserved1	OCTET	SNMP, cmgmvCtrlrDB Section	read-write
CommonEM-MIB.controllerReserved2	controllerInfo	controllerReserved2	OCTET	SNMP, cmgmvCtrlrDB Section	read-write
CommonEM-MIB.controllerReserved3	controllerInfo	controllerReserved3	INTEGER	SNMP, cmgmvCtrlrDB Section	read-write
CommonEM-MIB.controllerReserved4	controllerInfo	controllerReserved4	INTEGER	SNMP, cmgmvCtrlrDB Section	read-write
CommonEM-MIB.controllerState	controllerInfo	controllerState	DisplayString	SNMP, cmgmvCtrlrDB Section	read-write
CommonEM-MIB.controllerStateDetails	controllerInfo	controllerStateDetails	DisplayString	SNMP, cmgmvCtrlrDB Section	read-write
ENTITY-MIB.entPhysicalIndex	entPhysicalEntry	entPhysicalIndex	PhysicalIndex	SNMP, LocalDB	not-accessible

CMGMVAXSM-E Class

Table A-44 CMGMVAXSM-E Class Attributes

Name	Module	Object	Type	Section	Access
CmgmvCtrlr-MIB.logicalSlot	cmgmvctrlr	logicalSlot	DisplayString	SNMP, cmgmvCtrlrDB Section	read-write
CmgmvCtrlr-MIB.primLineModuleDescr	cmgmvctrlr	primLineModuleDescr	DisplayString	SNMP, cmgmvCtrlrDB Section	read-write
CmgmvCtrlr-MIB.primLineModuleHWRev	cmgmvctrlr	primLineModuleHWRev	DisplayString	SNMP, cmgmvCtrlrDB Section	read-write
CmgmvCtrlr-MIB.primLineModuleSerialNum	cmgmvctrlr	primLineModuleSerialNum	DisplayString	SNMP, cmgmvCtrlrDB Section	read-write

Table A-44 CMGMVAXSM-E Class Attributes (continued)

CmgmvCtrl-MIB.primLineModuleState	cmgmvctrl	primLineModuleState	DisplayString	SNMP, cmgmvCtrlDB Section	read-write
CmgmvCtrl-MIB.primLineModuleType	cmgmvctrl	primLineModuleType	DisplayString	SNMP, cmgmvCtrlDB Section	read-write
CmgmvCtrl-MIB.secLineModuleDescr	cmgmvctrl	secLineModuleDescr	DisplayString	SNMP, cmgmvCtrlDB Section	read-write
CmgmvCtrl-MIB.secLineModuleHWRev2	cmgmvctrl	secLineModuleHWRev2	DisplayString	SNMP, cmgmvCtrlDB Section	read-write
CmgmvCtrl-MIB.secLineModuleSerialNum2	cmgmvctrl	secLineModuleSerialNum2	DisplayString	SNMP, cmgmvCtrlDB Section	read-write
CmgmvCtrl-MIB.secLineModuleState2	cmgmvctrl	secLineModuleState2	DisplayString	SNMP, cmgmvCtrlDB Section	read-write
CmgmvCtrl-MIB.secLineModuleType2	cmgmvctrl	secLineModuleType2	DisplayString	SNMP, cmgmvCtrlDB Section	read-write
CommonEM-MIB.controllerAction	controllerInfo	controllerAction	DisplayString	SNMP, cmgmvCtrlDB Section	read-write
CommonEM-MIB.controllerPreviousState	controllerInfo	controllerPreviousState	DisplayString	SNMP, cmgmvCtrlDB Section	read-write
CommonEM-MIB.controllerProgress	controllerInfo	controllerProgress	INTEGER	SNMP, cmgmvCtrlDB Section	read-write
CommonEM-MIB.controllerReserved1	controllerInfo	controllerReserved1	OCTET	SNMP, cmgmvCtrlDB Section	read-write
CommonEM-MIB.controllerReserved2	controllerInfo	controllerReserved2	OCTET	SNMP, cmgmvCtrlDB Section	read-write
CommonEM-MIB.controllerReserved3	controllerInfo	controllerReserved3	INTEGER	SNMP, cmgmvCtrlDB Section	read-write
CommonEM-MIB.controllerReserved4	controllerInfo	controllerReserved4	INTEGER	SNMP, cmgmvCtrlDB Section	read-write
CommonEM-MIB.controllerState	controllerInfo	controllerState	DisplayString	SNMP, cmgmvCtrlDB Section	read-write

Table A-44 CMGMVAXSM-E Class Attributes (continued)

CommonEM-MIB.controllerStateDetails	controllerInfo	controllerStateDetails	DisplayString	SNMP, cmgmVCtrlrDB Section	read-write
ENTITY-MIB.entPhysicalIndex	entPhysicalEntry	entPhysicalIndex	PhysicalIndex	SNMP, LocalDB	not-accessible

CMGMVPop2Interface Class

Table A-45 CMGMVPop2Interface Class Attributes

Name	Module	Object	Type	Section	Access
CmgmvCtrlr-MIB.logicalSlot	cmgmvctrlr	logicalSlot	DisplayString	SNMP, cmgmVCtrlrDB Section	read-write
IF-MIB.ifIndex	ifEntry	ifIndex	InterfaceIndex	SNMP, LocalDB	read-only

CMGMVPop2DS1 Class

Table A-46 CMGMVPop2DS1 Class Attributes

Name	Module	Object	Type	Section	Access
CmgmvCtrlr-MIB.logicalSlot	cmgmvctrlr	logicalSlot	DisplayString	SNMP, cmgmVCtrlrDB Section	read-write
DS1-MIB.dsx1CurrentIndex	dsx1CurrentEntry	dsx1CurrentIndex	InterfaceIndex	SNMP, LocalDB	read-only
DS1-MIB.dsx1FarEndCurrentIndex	dsx1FarEndCurrentEntry	dsx1FarEndCurrentIndex	InterfaceIndex	SNMP, LocalDB	read-only
DS1-MIB.dsx1FarEndIntervalIndex	dsx1FarEndIntervalEntry	dsx1FarEndIntervalIndex	InterfaceIndex	SNMP, LocalDB	read-only
DS1-MIB.dsx1FarEndTotalIndex	dsx1FarEndTotalEntry	dsx1FarEndTotalIndex	InterfaceIndex	SNMP, LocalDB	read-only
DS1-MIB.dsx1IntervalIndex	dsx1IntervalEntry	dsx1IntervalIndex	InterfaceIndex	SNMP, LocalDB	read-only

Table A-46 CMGMVPop2DS1 Class Attributes (continued)

DS1-MIB.dsx1TotalIndex	dsx1TotalEntry	dsx1TotalIndex	InterfaceIndex	SNMP, LocalDB	read-only
IF-MIB.ifIndex	ifEntry	ifIndex	InterfaceIndex	SNMP, LocalDB	read-only

CMGMVDS1_VXSM Class

Table A-47 CMGMVDS1_VXSM Class Attributes

Name	Module	Object	Type	Section	Access
CmgmvCtrl-MIB.logicalSlot	cmgmvctrl	logicalSlot	DisplayString	SNMP, cmgmvCtrlDB Section	read-write
CommonEM-MIB.controllerAction	controllerInfo	controllerAction	DisplayString	SNMP, cmgmvCtrlDB Section	read-write
CommonEM-MIB.controllerPreviousState	controllerInfo	controllerPreviousState	DisplayString	SNMP, cmgmvCtrlDB Section	read-write
CommonEM-MIB.controllerProgress	controllerInfo	controllerProgress	INTEGER	SNMP, cmgmvCtrlDB Section	read-write
CommonEM-MIB.controllerReserved1	controllerInfo	controllerReserved1	OCTET	SNMP, cmgmvCtrlDB Section	read-write
CommonEM-MIB.controllerReserved2	controllerInfo	controllerReserved2	OCTET	SNMP, cmgmvCtrlDB Section	read-write
CommonEM-MIB.controllerReserved3	controllerInfo	controllerReserved3	INTEGER	SNMP, cmgmvCtrlDB Section	read-write
CommonEM-MIB.controllerReserved4	controllerInfo	controllerReserved4	INTEGER	SNMP, cmgmvCtrlDB Section	read-write
CommonEM-MIB.controllerState	controllerInfo	controllerState	DisplayString	SNMP, cmgmvCtrlDB Section	read-write
CommonEM-MIB.controllerStateDetails	controllerInfo	controllerStateDetails	DisplayString	SNMP, cmgmvCtrlDB Section	read-write
IF-MIB.ifIndex	ifEntry	ifIndex	InterfaceIndex	SNMP, LocalDB	read-only

CMGMVPop2DS3 Class

Table A-48 CMGMVPop2DS3 Class Attributes

Name	Module	Object	Type	Section	Access
CmgmvCtrl-MIB.logicalSlot	cmgmvctrl	logicalSlot	DisplayString	SNMP, cmgmvCtrlDB Section	read-write
DS3-MIB.dsx3CurrentIndex	dsx3CurrentEntry	dsx3CurrentIndex	InterfaceIndex	SNMP, LocalDB	read-only
DS3-MIB.dsx3FarEndCurrentIndex	dsx3FarEndCurrentEntry	dsx3FarEndCurrentIndex	InterfaceIndex	SNMP, LocalDB	read-only
DS3-MIB.dsx3FarEndIntervalIndex	dsx3FarEndIntervalEntry	dsx3FarEndIntervalIndex	InterfaceIndex	SNMP, LocalDB	read-only
DS3-MIB.dsx3FarEndLineIndex	dsx3FarEndConfigEntry	dsx3FarEndLineIndex	InterfaceIndex	SNMP, LocalDB	read-only
DS3-MIB.dsx3FarEndTotalIndex	dsx3FarEndTotalEntry	dsx3FarEndTotalIndex	InterfaceIndex	SNMP, LocalDB	read-only
DS3-MIB.dsx3LineIndex	dsx3ConfigEntry	dsx3LineIndex	InterfaceIndex	SNMP, LocalDB	read-only
DS3-MIB.dsx3TotalIndex	dsx3TotalEntry	dsx3TotalIndex	InterfaceIndex	SNMP, LocalDB	read-only
IF-MIB.ifIndex	ifEntry	ifIndex	InterfaceIndex	SNMP, LocalDB	read-only

CMGMVPop2SONET Class

Table A-49 CMGMVPop2SONET Class Attributes

Name	Module	Object	Type	Section	Access
CISCO-SONET-MIB.csApsWorkingIndex	csApsConfigEntry	csApsWorkingIndex	InterfaceIndex	SNMP, LocalDB	not-accessible
CmgmvCtrl-MIB.logicalSlot	cmgmvctrl	logicalSlot	DisplayString	SNMP, cmgmvCtrlDB Section	read-write
CommonEM-MIB.controllerAction	controllerInfo	controllerAction	DisplayString	SNMP, cmgmvCtrlDB Section	read-write
CommonEM-MIB.controllerPreviousState	controllerInfo	controllerPreviousState	DisplayString	SNMP, cmgmvCtrlDB Section	read-write

Table A-49 CMGMVPop2SONET Class Attributes (continued)

CommonEM-MIB.controllerProgress	controllerInfo	controllerProgress	INTEGER	SNMP, cmgmVCtrlrDB Section	read-write
CommonEM-MIB.controllerReserved1	controllerInfo	controllerReserved1	OCTET	SNMP, cmgmVCtrlrDB Section	read-write
CommonEM-MIB.controllerReserved2	controllerInfo	controllerReserved2	OCTET	SNMP, cmgmVCtrlrDB Section	read-write
CommonEM-MIB.controllerReserved3	controllerInfo	controllerReserved3	INTEGER	SNMP, cmgmVCtrlrDB Section	read-write
CommonEM-MIB.controllerReserved4	controllerInfo	controllerReserved4	INTEGER	SNMP, cmgmVCtrlrDB Section	read-write
CommonEM-MIB.controllerState	controllerInfo	controllerState	DisplayString	SNMP, cmgmVCtrlrDB Section	read-write
CommonEM-MIB.controllerStateDetails	controllerInfo	controllerStateDetails	DisplayString	SNMP, cmgmVCtrlrDB Section	read-write
IF-MIB.ifIndex	ifEntry	ifIndex	InterfaceIndex	SNMP, LocalDB	read-only

CMGMVSONETPATH Class

Table A-50 CMGMVSONETPATH Class Attributes

Name	Module	Object	Type	Section	Access
CmgmvCtrl-MIB.logicalSlot	cmgmvctrl	logicalSlot	DisplayString	SNMP, cmgmvCtrlDB Section	read-write
CommonEM-MIB.controllerAction	controllerInfo	controllerAction	DisplayString	SNMP, cmgmvCtrlDB Section	read-write
CommonEM-MIB.controllerPreviousState	controllerInfo	controllerPreviousState	DisplayString	SNMP, cmgmvCtrlDB Section	read-write
CommonEM-MIB.controllerProgress	controllerInfo	controllerProgress	INTEGER	SNMP, cmgmvCtrlDB Section	read-write
CommonEM-MIB.controllerReserved1	controllerInfo	controllerReserved1	OCTET	SNMP, cmgmvCtrlDB Section	read-write
CommonEM-MIB.controllerReserved2	controllerInfo	controllerReserved2	OCTET	SNMP, cmgmvCtrlDB Section	read-write
CommonEM-MIB.controllerReserved3	controllerInfo	controllerReserved3	INTEGER	SNMP, cmgmvCtrlDB Section	read-write
CommonEM-MIB.controllerReserved4	controllerInfo	controllerReserved4	INTEGER	SNMP, cmgmvCtrlDB Section	read-write
CommonEM-MIB.controllerState	controllerInfo	controllerState	DisplayString	SNMP, cmgmvCtrlDB Section	read-write
CommonEM-MIB.controllerStateDetails	controllerInfo	controllerStateDetails	DisplayString	SNMP, cmgmvCtrlDB Section	read-write
IF-MIB.ifIndex	ifEntry	ifIndex	InterfaceIndex	SNMP, LocalDB	read-only

CMGMVPop2Ethernet Class

Table A-51 CMGMVPop2Ethernet Class Attributes

Name	Module	Object	Type	Section	Access
CmgmvCtrl-MIB.logicalSlot	cmgmvctrl	logicalSlot	DisplayString	SNMP, cmgmvCtrlrDB Section	read-write
CommonEM-MIB.controllerAction	controllerInfo	controllerAction	DisplayString	SNMP, cmgmvCtrlrDB Section	read-write
CommonEM-MIB.controllerPreviousState	controllerInfo	controllerPreviousState	DisplayString	SNMP, cmgmvCtrlrDB Section	read-write
CommonEM-MIB.controllerProgress	controllerInfo	controllerProgress	INTEGER	SNMP, cmgmvCtrlrDB Section	read-write
CommonEM-MIB.controllerReserved1	controllerInfo	controllerReserved1	OCTET	SNMP, cmgmvCtrlrDB Section	read-write
CommonEM-MIB.controllerReserved2	controllerInfo	controllerReserved2	OCTET	SNMP, cmgmvCtrlrDB Section	read-write
CommonEM-MIB.controllerReserved3	controllerInfo	controllerReserved3	INTEGER	SNMP, cmgmvCtrlrDB Section	read-write
CommonEM-MIB.controllerReserved4	controllerInfo	controllerReserved4	INTEGER	SNMP, cmgmvCtrlrDB Section	read-write
CommonEM-MIB.controllerState	controllerInfo	controllerState	DisplayString	SNMP, cmgmvCtrlrDB Section	read-write
CommonEM-MIB.controllerStateDetails	controllerInfo	controllerStateDetails	DisplayString	SNMP, cmgmvCtrlrDB Section	read-write
IF-MIB.ifIndex	ifEntry	ifIndex	InterfaceIndex	SNMP, LocalDB	read-only

CMGMVGigaEthernet Class

Table A-52 CMGMVGigaEthernet Class Attributes

Name	Module	Object	Type	Section	Access
CmgmvCtrl-MIB.logicalSlot	cmgmvctrl	logicalSlot	DisplayString	SNMP, cmgmvCtrlDB Section	read-write
CommonEM-MIB.controllerAction	controllerInfo	controllerAction	DisplayString	SNMP, cmgmvCtrlDB Section	read-write
CommonEM-MIB.controllerPreviousState	controllerInfo	controllerPreviousState	DisplayString	SNMP, cmgmvCtrlDB Section	read-write
CommonEM-MIB.controllerProgress	controllerInfo	controllerProgress	INTEGER	SNMP, cmgmvCtrlDB Section	read-write
CommonEM-MIB.controllerReserved1	controllerInfo	controllerReserved1	OCTET	SNMP, cmgmvCtrlDB Section	read-write
CommonEM-MIB.controllerReserved2	controllerInfo	controllerReserved2	OCTET	SNMP, cmgmvCtrlDB Section	read-write
CommonEM-MIB.controllerReserved3	controllerInfo	controllerReserved3	INTEGER	SNMP, cmgmvCtrlDB Section	read-write
CommonEM-MIB.controllerReserved4	controllerInfo	controllerReserved4	INTEGER	SNMP, cmgmvCtrlDB Section	read-write
CommonEM-MIB.controllerState	controllerInfo	controllerState	DisplayString	SNMP, cmgmvCtrlDB Section	read-write
CommonEM-MIB.controllerStateDetails	controllerInfo	controllerStateDetails	DisplayString	SNMP, cmgmvCtrlDB Section	read-write
IF-MIB.ifIndex	ifEntry	ifIndex	InterfaceIndex	SNMP, LocalDB	read-only

CMGMVFastEthernet Class

Table A-53 CMGMVFastEthernet Class Attributes

Name	Module	Object	Type	Section	Access
CmgmvCtrl-MIB.logicalSlot	cmgmvctrl	logicalSlot	DisplayString	SNMP, cmgmvCtrlrDB Section	read-write
CommonEM-MIB.controllerAction	controllerInfo	controllerAction	DisplayString	SNMP, cmgmvCtrlrDB Section	read-write
CommonEM-MIB.controllerPreviousState	controllerInfo	controllerPreviousState	DisplayString	SNMP, cmgmvCtrlrDB Section	read-write
CommonEM-MIB.controllerProgress	controllerInfo	controllerProgress	INTEGER	SNMP, cmgmvCtrlrDB Section	read-write
CommonEM-MIB.controllerReserved1	controllerInfo	controllerReserved1	OCTET	SNMP, cmgmvCtrlrDB Section	read-write
CommonEM-MIB.controllerReserved2	controllerInfo	controllerReserved2	OCTET	SNMP, cmgmvCtrlrDB Section	read-write
CommonEM-MIB.controllerReserved3	controllerInfo	controllerReserved3	INTEGER	SNMP, cmgmvCtrlrDB Section	read-write
CommonEM-MIB.controllerReserved4	controllerInfo	controllerReserved4	INTEGER	SNMP, cmgmvCtrlrDB Section	read-write
CommonEM-MIB.controllerState	controllerInfo	controllerState	DisplayString	SNMP, cmgmvCtrlrDB Section	read-write
CommonEM-MIB.controllerStateDetails	controllerInfo	controllerStateDetails	DisplayString	SNMP, cmgmvCtrlrDB Section	read-write
IF-MIB.ifIndex	ifEntry	ifIndex	InterfaceIndex	SNMP, LocalDB	read-only

CMGMVPop2AtmInterface Class

Table A-54 CMGMVPop2AtmInterface Class Attributes

Name	Module	Object	Type	Section	Access
CISCO-WAN-ATM-CONN-MIB.cwaChanVpi	cwAtmChanCnfgEntry	cwaChanVpi	Unsigned32	SNMP, LocalDB	not-accessible
CISCO-WAN-RSRC-PART-MIB.cwRsrcPartID	cwRsrcPartConfEntry	cwRsrcPartID	Unsigned32	SNMP, LocalDB	not-accessible
CmgmvCtrl-MIB.logicalSlot	cmgmvctrl	logicalSlot	DisplayString	SNMP, cmgmvCtrlDB Section	read-write
CommonEM-MIB.controllerAction	controllerInfo	controllerAction	DisplayString	SNMP, cmgmvCtrlDB Section	read-write
CommonEM-MIB.controllerPreviousState	controllerInfo	controllerPreviousState	DisplayString	SNMP, cmgmvCtrlDB Section	read-write
CommonEM-MIB.controllerProgress	controllerInfo	controllerProgress	INTEGER	SNMP, cmgmvCtrlDB Section	read-write
CommonEM-MIB.controllerReserved1	controllerInfo	controllerReserved1	OCTET	SNMP, cmgmvCtrlDB Section	read-write
CommonEM-MIB.controllerReserved2	controllerInfo	controllerReserved2	OCTET	SNMP, cmgmvCtrlDB Section	read-write
CommonEM-MIB.controllerReserved3	controllerInfo	controllerReserved3	INTEGER	SNMP, cmgmvCtrlDB Section	read-write
CommonEM-MIB.controllerReserved4	controllerInfo	controllerReserved4	INTEGER	SNMP, cmgmvCtrlDB Section	read-write
CommonEM-MIB.controllerState	controllerInfo	controllerState	DisplayString	SNMP, cmgmvCtrlDB Section	read-write
CommonEM-MIB.controllerStateDetails	controllerInfo	controllerStateDetails	DisplayString	SNMP, cmgmvCtrlDB Section	read-write
IF-MIB.ifIndex	ifEntry	ifIndex	InterfaceIndex	SNMP, LocalDB	read-only

CMGMVAtmInterface_VXSM Class

Table A-55 CMGMVAtmInterface_VXSM Class Attributes

Name	Module	Object	Type	Section	Access
CISCO-WAN-ATM-CONN-MIB.cwaChanVpi	cwAtmChanCnfgEntry	cwaChanVpi	Unsigned32	SNMP, LocalDB	not-accessible
CISCO-WAN-RSRC-PART-MIB.cwRsrcPartID	cwRsrcPartConfEntry	cwRsrcPartID	Unsigned32	SNMP, LocalDB	not-accessible
CmgmvCtrlr-MIB.logicalSlot	cmgmvctrlr	logicalSlot	DisplayString	SNMP, cmgmvCtrlrDB Section	read-write
CommonEM-MIB.controllerAction	controllerInfo	controllerAction	DisplayString	SNMP, cmgmvCtrlrDB Section	read-write
CommonEM-MIB.controllerPreviousState	controllerInfo	controllerPreviousState	DisplayString	SNMP, cmgmvCtrlrDB Section	read-write
CommonEM-MIB.controllerProgress	controllerInfo	controllerProgress	INTEGER	SNMP, cmgmvCtrlrDB Section	read-write
CommonEM-MIB.controllerReserved1	controllerInfo	controllerReserved1	OCTET	SNMP, cmgmvCtrlrDB Section	read-write
CommonEM-MIB.controllerReserved2	controllerInfo	controllerReserved2	OCTET	SNMP, cmgmvCtrlrDB Section	read-write
CommonEM-MIB.controllerReserved3	controllerInfo	controllerReserved3	INTEGER	SNMP, cmgmvCtrlrDB Section	read-write
CommonEM-MIB.controllerReserved4	controllerInfo	controllerReserved4	INTEGER	SNMP, cmgmvCtrlrDB Section	read-write
CommonEM-MIB.controllerState	controllerInfo	controllerState	DisplayString	SNMP, cmgmvCtrlrDB Section	read-write
CommonEM-MIB.controllerStateDetails	controllerInfo	controllerStateDetails	DisplayString	SNMP, cmgmvCtrlrDB Section	read-write
IF-MIB.ifIndex	ifEntry	ifIndex	InterfaceIndex	SNMP, LocalDB	read-only

cmgmV Class

The cmgmV class does not contain any attributes.

dummyChassisView Class

The dummyChassisView class does not contain any attributes.

discoveryInitialAlarm Class

The discoveryInitialAlarm class does not contain any attributes.

discoveryInitialAlarmClear Class

The discoveryInitialAlarmClear class does not contain any attributes.

shelfConnectLost Class

The shelfConnectLost class does not contain any attributes.

shelfConnectNormal Class

The shelfConnectNormal class does not contain any attributes.

coreCardSwitchTrap Class

Table A-56 coreCardSwitchTrap Class Attributes

Name	Module	Object	Type	Section	Access
BASIS-GENERIC-MIB.functionModuleState	cardInformation	functionModuleState	INTEGER	SNMP	read-only
BASIS-GENERIC-MIB.functionModuleType	cardInformation	functionModuleType	INTEGER	SNMP	read-only
BASIS-GENERIC-MIB.moduleSlotNumber	cardInformation	moduleSlotNumber	INTEGER	SNMP	read-only
BASIS-GENERIC-MIB.moduleTrapAlarmSeverity	cardInformation	moduleTrapAlarmSeverity	INTEGER	SNMP	read-only
BASIS-SHELF-MIB.shelfNodeName	basisShelf	shelfNodeName	DisplayString	SNMP	read-write

shelRestartTrap Class

Table A-57 shelRestartTrap Class Attributes

Name	Module	Object	Type	Section	Access
BASIS-GENERIC-MIB.functionModuleType	cardInformation	functionModuleType	INTEGER	SNMP	read-only
BASIS-GENERIC-MIB.moduleSlotNumber	cardInformation	moduleSlotNumber	INTEGER	SNMP	read-only
BASIS-GENERIC-MIB.moduleTrapAlarmSeverity	cardInformation	moduleTrapAlarmSeverity	INTEGER	SNMP	read-only
BASIS-SHELF-MIB.shelfNodeName	basisShelf	shelfNodeName	DisplayString	SNMP	read-write

functionModuleRemovedTrap Class

Table A-58 functionModuleRemovedTrap Class Attributes

Name	Module	Object	Type	Section	Access
BASIS-GENERIC-MIB.functionModuleState	cardInformation	functionModuleState	INTEGER	SNMP	read-only
BASIS-GENERIC-MIB.functionModuleType	cardInformation	functionModuleType	INTEGER	SNMP	read-only
BASIS-GENERIC-MIB.moduleSlotNumber	cardInformation	moduleSlotNumber	INTEGER	SNMP	read-only
BASIS-GENERIC-MIB.moduleTrapAlarmSeverity	cardInformation	moduleTrapAlarmSeverity	INTEGER	SNMP	read-only
BASIS-SHELF-MIB.shelfNodeName	basisShelf	shelfNodeName	DisplayString	SNMP	read-write

functionModuleInsertedTrap Class

Table A-59 functionModuleInsertedTrap Class Attributes

Name	Module	Object	Type	Section	Access
BASIS-GENERIC-MIB.functionModuleState	cardInformation	functionModuleState	INTEGER	SNMP	read-only
BASIS-GENERIC-MIB.functionModuleType	cardInformation	functionModuleType	INTEGER	SNMP	read-only
BASIS-GENERIC-MIB.moduleSlotNumber	cardInformation	moduleSlotNumber	INTEGER	SNMP	read-only
BASIS-GENERIC-MIB.moduleTrapAlarmSeverity	cardInformation	moduleTrapAlarmSeverity	INTEGER	SNMP	read-only
BASIS-SHELF-MIB.shelfNodeName	basisShelf	shelfNodeName	DisplayString	SNMP	read-write

functionModuleSwitchoverTrap Class

Table A-60 functionModuleSwitchoverTrap Class Attributes

Name	Module	Object	Type	Section	Access
BASIS-GENERIC-MIB.functionModuleState	cardInformation	functionModuleState	INTEGER	SNMP	read-only
BASIS-GENERIC-MIB.functionModuleType	cardInformation	functionModuleType	INTEGER	SNMP	read-only
BASIS-GENERIC-MIB.moduleSlotNumber	cardInformation	moduleSlotNumber	INTEGER	SNMP	read-only
BASIS-GENERIC-MIB.moduleTrapAlarmSeverity	cardInformation	moduleTrapAlarmSeverity	INTEGER	SNMP	read-only
BASIS-SHELF-MIB.shelfNodeName	basisShelf	shelfNodeName	DisplayString	SNMP	read-write

functionModuleActiveTrap Class

Table A-61 functionModuleActiveTrap Class Attributes

Name	Module	Object	Type	Section	Access
BASIS-GENERIC-MIB.functionModuleState	cardInformation	functionModuleState	INTEGER	SNMP	read-only
BASIS-GENERIC-MIB.functionModuleType	cardInformation	functionModuleType	INTEGER	SNMP	read-only
BASIS-GENERIC-MIB.moduleSlotNumber	cardInformation	moduleSlotNumber	INTEGER	SNMP	read-only
BASIS-GENERIC-MIB.moduleTrapAlarmSeverity	cardInformation	moduleTrapAlarmSeverity	INTEGER	SNMP	read-only
BASIS-SHELF-MIB.shelfNodeName	basisShelf	shelfNodeName	DisplayString	SNMP	read-write

functionModuleFailedTrap Class

Table A-62 functionModuleFailedTrap Class Attributes

Name	Module	Object	Type	Section	Access
BASIS-GENERIC-MIB.functionModuleState	cardInformation	functionModuleState	INTEGER	SNMP	read-only
BASIS-GENERIC-MIB.functionModuleType	cardInformation	functionModuleType	INTEGER	SNMP	read-only
BASIS-GENERIC-MIB.moduleSlotNumber	cardInformation	moduleSlotNumber	INTEGER	SNMP	read-only
BASIS-GENERIC-MIB.moduleTrapAlarmSeverity	cardInformation	moduleTrapAlarmSeverity	INTEGER	SNMP	read-only
BASIS-SHELF-MIB.shelfNodeName	basisShelf	shelfNodeName	DisplayString	SNMP	read-write

functionModuleMismatchTrap Class

Table A-63 functionModuleMismatchTrap Class Attributes

Name	Module	Object	Type	Section	Access
BASIS-GENERIC-MIB.functionModuleState	cardInformation	functionModuleState	INTEGER	SNMP	read-only
BASIS-GENERIC-MIB.functionModuleType	cardInformation	functionModuleType	INTEGER	SNMP	read-only
BASIS-GENERIC-MIB.moduleSlotNumber	cardInformation	moduleSlotNumber	INTEGER	SNMP	read-only
BASIS-GENERIC-MIB.moduleTrapAlarmSeverity	cardInformation	moduleTrapAlarmSeverity	INTEGER	SNMP	read-only
BASIS-SHELF-MIB.shelfNodeName	basisShelf	shelfNodeName	DisplayString	SNMP	read-write

functionModuleSlefTestFailedTrap Class

Table A-64 functionModuleSlefTestFailedTrap Class Attributes

Name	Module	Object	Type	Section	Access
BASIS-GENERIC-MIB.functionModuleState	cardInformation	functionModuleState	INTEGER	SNMP	read-only
BASIS-GENERIC-MIB.functionModuleType	cardInformation	functionModuleType	INTEGER	SNMP	read-only
BASIS-GENERIC-MIB.moduleSlotNumber	cardInformation	moduleSlotNumber	INTEGER	SNMP	read-only
BASIS-GENERIC-MIB.moduleTrapAlarmSeverity	cardInformation	moduleTrapAlarmSeverity	INTEGER	SNMP	read-only
BASIS-SHELF-MIB.shelfNodeName	basisShelf	shelfNodeName	DisplayString	SNMP	read-write

functionModuleStandbyTrap Class

Table A-65 functionModuleStandbyTrap Class Attributes

Name	Module	Object	Type	Section	Access
BASIS-GENERIC-MIB.functionModuleState	cardInformation	functionModuleState	INTEGER	SNMP	read-only
BASIS-GENERIC-MIB.functionModuleType	cardInformation	functionModuleType	INTEGER	SNMP	read-only
BASIS-GENERIC-MIB.moduleSlotNumber	cardInformation	moduleSlotNumber	INTEGER	SNMP	read-only
BASIS-GENERIC-MIB.moduleTrapAlarmSeverity	cardInformation	moduleTrapAlarmSeverity	INTEGER	SNMP	read-only
BASIS-SHELF-MIB.shelfNodeName	basisShelf	shelfNodeName	DisplayString	SNMP	read-write

coreCardSwitchInProgress Class

Table A-66 coreCardSwitchInProgress Class Attributes

Name	Module	Object	Type	Section	Access
BASIS-GENERIC-MIB.functionModuleState	cardInformation	functionModuleState	INTEGER	SNMP	read-only
BASIS-GENERIC-MIB.functionModuleType	cardInformation	functionModuleType	INTEGER	SNMP	read-only
BASIS-GENERIC-MIB.moduleSlotNumber	cardInformation	moduleSlotNumber	INTEGER	SNMP	read-only
BASIS-GENERIC-MIB.moduleTrapAlarmSeverity	cardInformation	moduleTrapAlarmSeverity	INTEGER	SNMP	read-only
BASIS-SHELF-MIB.shelfNodeName	basisShelf	shelfNodeName	DisplayString	SNMP	read-write

coreCardSwitchBlocked Class

Table A-67 coreCardSwitchBlocked Class Attributes

Name	Module	Object	Type	Section	Access
BASIS-GENERIC-MIB.functionModuleState	cardInformation	functionModuleState	INTEGER	SNMP	read-only
BASIS-GENERIC-MIB.functionModuleType	cardInformation	functionModuleType	INTEGER	SNMP	read-only
BASIS-GENERIC-MIB.moduleSlotNumber	cardInformation	moduleSlotNumber	INTEGER	SNMP	read-only
BASIS-GENERIC-MIB.moduleTrapAlarmSeverity	cardInformation	moduleTrapAlarmSeverity	INTEGER	SNMP	read-only
BASIS-SHELF-MIB.shelfNodeName	basisShelf	shelfNodeName	DisplayString	SNMP	read-write

bnmTemperatureNormalTrap Class

Table A-68 *bnmTemperatureNormalTrap Class Attributes*

Name	Module	Object	Type	Section	Access
BASIS-GENERIC-MIB.functionModuleType	cardInformation	functionModuleType	INTEGER	SNMP	read-only
BASIS-GENERIC-MIB.moduleSlotNumber	cardInformation	moduleSlotNumber	INTEGER	SNMP	read-only
BASIS-GENERIC-MIB.moduleTrapAlarmSeverity	cardInformation	moduleTrapAlarmSeverity	INTEGER	SNMP	read-only
BASIS-SHELF-MIB.shelfNodeName	basisShelf	shelfNodeName	DisplayString	SNMP	read-write

bnmTemperatureAboveNormalTrap Class

Table A-69 *bnmTemperatureAboveNormalTrap Class Attributes*

Name	Module	Object	Type	Section	Access
BASIS-GENERIC-MIB.functionModuleType	cardInformation	functionModuleType	INTEGER	SNMP	read-only
BASIS-GENERIC-MIB.moduleSlotNumber	cardInformation	moduleSlotNumber	INTEGER	SNMP	read-only
BASIS-GENERIC-MIB.moduleTrapAlarmSeverity	cardInformation	moduleTrapAlarmSeverity	INTEGER	SNMP	read-only
BASIS-SHELF-MIB.shelfNodeName	basisShelf	shelfNodeName	DisplayString	SNMP	read-write

bnmDclevelNormalTrap Class

Table A-70 *bnmDclevelNormalTrap Class Attributes*

Name	Module	Object	Type	Section	Access
BASIS-GENERIC-MIB.functionModuleType	cardInformation	functionModuleType	INTEGER	SNMP	read-only
BASIS-GENERIC-MIB.moduleSlotNumber	cardInformation	moduleSlotNumber	INTEGER	SNMP	read-only
BASIS-GENERIC-MIB.moduleTrapAlarmSeverity	cardInformation	moduleTrapAlarmSeverity	INTEGER	SNMP	read-only
BASIS-SHELF-MIB.shelfNodeName	basisShelf	shelfNodeName	DisplayString	SNMP	read-write
CISCO-WAN-AXIPOP-MIB.asmAlarmUnitNum	asmAlarmEntry	asmAlarmUnitNum	INTEGER	SNMP	read-only
CISCO-WAN-AXIPOP-MIB.asmPhysicalAlarmState	asmAlarmEntry	asmPhysicalAlarmState	INTEGER	SNMP	read-only

bnmDclevelBelowNormalTrap Class

Table A-71 *bnmDclevelBelowNormalTrap Class Attributes*

Name	Module	Object	Type	Section	Access
BASIS-GENERIC-MIB.functionModuleType	cardInformation	functionModuleType	INTEGER	SNMP	read-only
BASIS-GENERIC-MIB.moduleSlotNumber	cardInformation	moduleSlotNumber	INTEGER	SNMP	read-only
BASIS-GENERIC-MIB.moduleTrapAlarmSeverity	cardInformation	moduleTrapAlarmSeverity	INTEGER	SNMP	read-only
BASIS-SHELF-MIB.shelfNodeName	basisShelf	shelfNodeName	DisplayString	SNMP	read-write
CISCO-WAN-AXIPOP-MIB.asmAlarmUnitNum	asmAlarmEntry	asmAlarmUnitNum	INTEGER	SNMP	read-only
CISCO-WAN-AXIPOP-MIB.asmPhysicalAlarmState	asmAlarmEntry	asmPhysicalAlarmState	INTEGER	SNMP	read-only

bnmPowersupplyNormalTrap Class

Table A-72 *bnmPowersupplyNormalTrap Class Attributes*

Name	Module	Object	Type	Section	Access
BASIS-GENERIC-MIB.functionModuleType	cardInformation	functionModuleType	INTEGER	SNMP	read-only
BASIS-GENERIC-MIB.moduleSlotNumber	cardInformation	moduleSlotNumber	INTEGER	SNMP	read-only
BASIS-GENERIC-MIB.moduleTrapAlarmSeverity	cardInformation	moduleTrapAlarmSeverity	INTEGER	SNMP	read-only
BASIS-SHELF-MIB.shelfNodeName	basisShelf	shelfNodeName	DisplayString	SNMP	read-write
CISCO-WAN-AXIPOP-MIB.asmAlarmUnitNum	asmAlarmEntry	asmAlarmUnitNum	INTEGER	SNMP	read-only
CISCO-WAN-AXIPOP-MIB.asmPhysicalAlarmState	asmAlarmEntry	asmPhysicalAlarmState	INTEGER	SNMP	read-only

bnmPowersupplyFailedTrap Class

Table A-73 *bnmPowersupplyFailedTrap Class Attributes*

Name	Module	Object	Type	Section	Access
BASIS-GENERIC-MIB.functionModuleType	cardInformation	functionModuleType	INTEGER	SNMP	read-only
BASIS-GENERIC-MIB.moduleSlotNumber	cardInformation	moduleSlotNumber	INTEGER	SNMP	read-only
BASIS-GENERIC-MIB.moduleTrapAlarmSeverity	cardInformation	moduleTrapAlarmSeverity	INTEGER	SNMP	read-only
BASIS-SHELF-MIB.shelfNodeName	basisShelf	shelfNodeName	DisplayString	SNMP	read-write
CISCO-WAN-AXIPOP-MIB.asmAlarmUnitNum	asmAlarmEntry	asmAlarmUnitNum	INTEGER	SNMP	read-only
CISCO-WAN-AXIPOP-MIB.asmPhysicalAlarmState	asmAlarmEntry	asmPhysicalAlarmState	INTEGER	SNMP	read-only

bnmFanrpmNormalTrap Class

Table A-74 *bnmFanrpmNormalTrap Class Attributes*

Name	Module	Object	Type	Section	Access
BASIS-GENERIC-MIB.functionModuleType	cardInformation	functionModuleType	INTEGER	SNMP	read-only
BASIS-GENERIC-MIB.moduleSlotNumber	cardInformation	moduleSlotNumber	INTEGER	SNMP	read-only
BASIS-GENERIC-MIB.moduleTrapAlarmSeverity	cardInformation	moduleTrapAlarmSeverity	INTEGER	SNMP	read-only
BASIS-SHELF-MIB.shelfNodeName	basisShelf	shelfNodeName	DisplayString	SNMP	read-write
CISCO-WAN-AXIPOP-MIB.asmAlarmUnitNum	asmAlarmEntry	asmAlarmUnitNum	INTEGER	SNMP	read-only
CISCO-WAN-AXIPOP-MIB.asmPhysicalAlarmState	asmAlarmEntry	asmPhysicalAlarmState	INTEGER	SNMP	read-only

bnmFanrpmBelowNormalTrap Class

Table A-75 *bnmFanrpmBelowNormalTrap Class Attributes*

Name	Module	Object	Type	Section	Access
BASIS-GENERIC-MIB.functionModuleType	cardInformation	functionModuleType	INTEGER	SNMP	read-only
BASIS-GENERIC-MIB.moduleSlotNumber	cardInformation	moduleSlotNumber	INTEGER	SNMP	read-only
BASIS-GENERIC-MIB.moduleTrapAlarmSeverity	cardInformation	moduleTrapAlarmSeverity	INTEGER	SNMP	read-only
BASIS-SHELF-MIB.shelfNodeName	basisShelf	shelfNodeName	DisplayString	SNMP	read-write
CISCO-WAN-AXIPOP-MIB.asmAlarmUnitNum	asmAlarmEntry	asmAlarmUnitNum	INTEGER	SNMP	read-only
CISCO-WAN-AXIPOP-MIB.asmPhysicalAlarmState	asmAlarmEntry	asmPhysicalAlarmState	INTEGER	SNMP	read-only

shelfIntegratedAlarmTrap Class

Table A-76 shelfIntegratedAlarmTrap Class Attributes

Name	Module	Object	Type	Section	Access
BASIS-GENERIC-MIB.functionModuleType	cardInformation	functionModuleType	INTEGER	SNMP	read-only
BASIS-GENERIC-MIB.moduleSlotNumber	cardInformation	moduleSlotNumber	INTEGER	SNMP	read-only
BASIS-GENERIC-MIB.moduleTrapAlarmSeverity	cardInformation	moduleTrapAlarmSeverity	INTEGER	SNMP	read-only
BASIS-SHELF-MIB.shelfIntegratedAlarm	basisShelf	shelfIntegratedAlarm	INTEGER	SNMP	read-only
BASIS-SHELF-MIB.shelfNodeName	basisShelf	shelfNodeName	DisplayString	SNMP	read-write

userLoginTrap Class

Table A-77 userLoginTrap Class Attributes

Name	Module	Object	Type	Section	Access
BASIS-GENERIC-MIB.functionModuleType	cardInformation	functionModuleType	INTEGER	SNMP	read-only
BASIS-GENERIC-MIB.moduleSlotNumber	cardInformation	moduleSlotNumber	INTEGER	SNMP	read-only
BASIS-GENERIC-MIB.moduleTrapAlarmSeverity	cardInformation	moduleTrapAlarmSeverity	INTEGER	SNMP	read-only
BASIS-SHELF-MIB.shelfNodeName	basisShelf	shelfNodeName	DisplayString	SNMP	read-write
BASIS-SHELF-MIB.userName	basisShelf	userName	DisplayString	SNMP	read-only

userLogoutTrap Class

Table A-78 userLogoutTrap Class Attributes

Name	Module	Object	Type	Section	Access
BASIS-GENERIC-MIB.functionModuleType	cardInformation	functionModuleType	INTEGER	SNMP	read-only
BASIS-GENERIC-MIB.moduleSlotNumber	cardInformation	moduleSlotNumber	INTEGER	SNMP	read-only
BASIS-GENERIC-MIB.moduleTrapAlarmSeverity	cardInformation	moduleTrapAlarmSeverity	INTEGER	SNMP	read-only
BASIS-SHELF-MIB.shelfNodeName	basisShelf	shelfNodeName	DisplayString	SNMP	read-write
BASIS-SHELF-MIB.userName	basisShelf	userName	DisplayString	SNMP	read-only

shelfLossLmiAlarmTrap Class

Table A-79 shelfLossLmiAlarmTrap Class Attributes

Name	Module	Object	Type	Section	Access
BASIS-GENERIC-MIB.functionModuleType	cardInformation	functionModuleType	INTEGER	SNMP	read-only
BASIS-GENERIC-MIB.moduleSlotNumber	cardInformation	moduleSlotNumber	INTEGER	SNMP	read-only
BASIS-GENERIC-MIB.moduleTrapAlarmSeverity	cardInformation	moduleTrapAlarmSeverity	INTEGER	SNMP	read-only
BASIS-SHELF-MIB.shelfNodeName	basisShelf	shelfNodeName	DisplayString	SNMP	read-write

shelfLossLmiAlarmClearTrap Class

Table A-80 shelfLossLmiAlarmClearTrap Class Attributes

Name	Module	Object	Type	Section	Access
BASIS-GENERIC-MIB.functionModuleType	cardInformation	functionModuleType	INTEGER	SNMP	read-only
BASIS-GENERIC-MIB.moduleSlotNumber	cardInformation	moduleSlotNumber	INTEGER	SNMP	read-only
BASIS-GENERIC-MIB.moduleTrapAlarmSeverity	cardInformation	moduleTrapAlarmSeverity	INTEGER	SNMP	read-only
BASIS-SHELF-MIB.shelfNodeName	basisShelf	shelfNodeName	DisplayString	SNMP	read-write

lineModuleRemovedTrap Class

Table A-81 lineModuleRemovedTrap Class Attributes

Name	Module	Object	Type	Section	Access
BASIS-GENERIC-MIB.functionModuleType	cardInformation	functionModuleType	INTEGER	SNMP	read-only
BASIS-GENERIC-MIB.lineModuleState	cardInformation	lineModuleState	INTEGER	SNMP	read-only
BASIS-GENERIC-MIB.lineModuleType	cardInformation	lineModuleType	INTEGER	SNMP	read-only
BASIS-GENERIC-MIB.moduleSlotNumber	cardInformation	moduleSlotNumber	INTEGER	SNMP	read-only
BASIS-GENERIC-MIB.moduleTrapAlarmSeverity	cardInformation	moduleTrapAlarmSeverity	INTEGER	SNMP	read-only
BASIS-SHELF-MIB.shelfNodeName	basisShelf	shelfNodeName	DisplayString	SNMP	read-write

lineModuleInsertedTrap Class

Table A-82 lineModuleInsertedTrap Class Attributes

Name	Module	Object	Type	Section	Access
BASIS-GENERIC-MIB.functionModuleType	cardInformation	functionModuleType	INTEGER	SNMP	read-only
BASIS-GENERIC-MIB.lineModuleState	cardInformation	lineModuleState	INTEGER	SNMP	read-only
BASIS-GENERIC-MIB.lineModuleType	cardInformation	lineModuleType	INTEGER	SNMP	read-only
BASIS-GENERIC-MIB.moduleSlotNumber	cardInformation	moduleSlotNumber	INTEGER	SNMP	read-only
BASIS-GENERIC-MIB.moduleTrapAlarmSeverity	cardInformation	moduleTrapAlarmSeverity	INTEGER	SNMP	read-only
BASIS-SHELF-MIB.shelfNodeName	basisShelf	shelfNodeName	DisplayString	SNMP	read-write

lineModuleMismatchTrap Class

Table A-83 lineModuleMismatchTrap Class Attributes

Name	Module	Object	Type	Section	Access
BASIS-GENERIC-MIB.functionModuleType	cardInformation	functionModuleType	INTEGER	SNMP	read-only
BASIS-GENERIC-MIB.lineModuleState	cardInformation	lineModuleState	INTEGER	SNMP	read-only
BASIS-GENERIC-MIB.lineModuleType	cardInformation	lineModuleType	INTEGER	SNMP	read-only
BASIS-GENERIC-MIB.moduleSlotNumber	cardInformation	moduleSlotNumber	INTEGER	SNMP	read-only
BASIS-GENERIC-MIB.moduleTrapAlarmSeverity	cardInformation	moduleTrapAlarmSeverity	INTEGER	SNMP	read-only
BASIS-SHELF-MIB.shelfNodeName	basisShelf	shelfNodeName	DisplayString	SNMP	read-write

dsx3LineNoAlarmTrap Class

Table A-84 dsx3LineNoAlarmTrap Class Attributes

Name	Module	Object	Type	Section	Access
BASIS-GENERIC-MIB.functionModuleType	cardInformation	functionModuleType	INTEGER	SNMP	read-only
BASIS-GENERIC-MIB.moduleSlotNumber	cardInformation	moduleSlotNumber	INTEGER	SNMP	read-only
BASIS-GENERIC-MIB.moduleTrapAlarmSeverity	cardInformation	moduleTrapAlarmSeverity	INTEGER	SNMP	read-only
BASIS-SHELF-MIB.shelfNodeName	basisShelf	shelfNodeName	DisplayString	SNMP	read-write
CISCO-MGX82XX-DSX3-MIB.cwDsx3LineType	cwDsx3ConfigEntry	cwDsx3LineType	INTEGER	SNMP	read-write
CISCO-MGX82XX-DSX3-MIB.dsx3LineAlarmState	dsx3AlarmEntry	dsx3LineAlarmState	INTEGER	SNMP	read-only
CISCO-MGX82XX-DSX3-MIB.dsx3LineNum	cwDsx3ConfigEntry	dsx3LineNum	INTEGER	SNMP, LocalDB	read-only

dsx3LineInAlarmTrap Class

Table A-85 dsx3LineInAlarmTrap Class Attributes

Name	Module	Object	Type	Section	Access
BASIS-GENERIC-MIB.functionModuleType	cardInformation	functionModuleType	INTEGER	SNMP	read-only
BASIS-GENERIC-MIB.moduleSlotNumber	cardInformation	moduleSlotNumber	INTEGER	SNMP	read-only
BASIS-GENERIC-MIB.moduleTrapAlarmSeverity	cardInformation	moduleTrapAlarmSeverity	INTEGER	SNMP	read-only
BASIS-SHELF-MIB.shelfNodeName	basisShelf	shelfNodeName	DisplayString	SNMP	read-write
CISCO-MGX82XX-DSX3-MIB.cwDsx3LineType	cwDsx3ConfigEntry	cwDsx3LineType	INTEGER	SNMP	read-write
CISCO-MGX82XX-DSX3-MIB.dsx3LineAlarmState	dsx3AlarmEntry	dsx3LineAlarmState	INTEGER	SNMP	read-only
CISCO-MGX82XX-DSX3-MIB.dsx3LineNum	cwDsx3ConfigEntry	dsx3LineNum	INTEGER	SNMP, LocalDB	read-only

dsx3LineLpbkEnableTrap Class

Table A-86 dsx3LineLpbkEnableTrap Class Attributes

Name	Module	Object	Type	Section	Access
BASIS-GENERIC-MIB.functionModuleType	cardInformation	functionModuleType	INTEGER	SNMP	read-only
BASIS-GENERIC-MIB.moduleSlotNumber	cardInformation	moduleSlotNumber	INTEGER	SNMP	read-only
BASIS-GENERIC-MIB.moduleTrapAlarmSeverity	cardInformation	moduleTrapAlarmSeverity	INTEGER	SNMP	read-only
BASIS-SHELF-MIB.shelfNodeName	basisShelf	shelfNodeName	DisplayString	SNMP	read-write
CISCO-MGX82XX-DSX3-MIB.cwDsx3LineType	cwDsx3ConfigEntry	cwDsx3LineType	INTEGER	SNMP	read-write
CISCO-MGX82XX-DSX3-MIB.dsx3LineAlarmState	dsx3AlarmEntry	dsx3LineAlarmState	INTEGER	SNMP	read-only
CISCO-MGX82XX-DSX3-MIB.dsx3LineNum	cwDsx3ConfigEntry	dsx3LineNum	INTEGER	SNMP, LocalDB	read-only

dsx3LineLpbkDisableTrap Class

Table A-87 dsx3LineLpbkDisableTrap Class Attributes

Name	Module	Object	Type	Section	Access
BASIS-GENERIC-MIB.functionModuleType	cardInformation	functionModuleType	INTEGER	SNMP	read-only
BASIS-GENERIC-MIB.moduleSlotNumber	cardInformation	moduleSlotNumber	INTEGER	SNMP	read-only
BASIS-GENERIC-MIB.moduleTrapAlarmSeverity	cardInformation	moduleTrapAlarmSeverity	INTEGER	SNMP	read-only
BASIS-SHELF-MIB.shelfNodeName	basisShelf	shelfNodeName	DisplayString	SNMP	read-write
CISCO-MGX82XX-DSX3-MIB.cwDsx3LineType	cwDsx3ConfigEntry	cwDsx3LineType	INTEGER	SNMP	read-write
CISCO-MGX82XX-DSX3-MIB.dsx3LineAlarmState	dsx3AlarmEntry	dsx3LineAlarmState	INTEGER	SNMP	read-only
CISCO-MGX82XX-DSX3-MIB.dsx3LineNum	cwDsx3ConfigEntry	dsx3LineNum	INTEGER	SNMP, LocalDB	read-only

sonetLineInAlarmTrap Class

Table A-88 sonetLineInAlarmTrap Class Attributes

Name	Module	Object	Type	Section	Access
BASIS-GENERIC-MIB.functionModuleType	cardInformation	functionModuleType	INTEGER	SNMP	read-only
BASIS-GENERIC-MIB.moduleSlotNumber	cardInformation	moduleSlotNumber	INTEGER	SNMP	read-only
BASIS-GENERIC-MIB.moduleTrapAlarmSeverity	cardInformation	moduleTrapAlarmSeverity	INTEGER	SNMP	read-only
BASIS-SHELF-MIB.shelfNodeName	basisShelf	shelfNodeName	DisplayString	SNMP	read-write
CISCO-MGX82XX-SONET-MIB.cwSonetLineCurrentStatus	cwSonetLineCurrentEntry	cwSonetLineCurrentStatus	INTEGER	SNMP	read-only
CISCO-MGX82XX-SONET-MIB.sonetLineNum	sonetConfigEntry	sonetLineNum	INTEGER	SNMP, LocalDB	read-only
CISCO-MGX82XX-SONET-MIB.sonetLineType	sonetConfigEntry	sonetLineType	INTEGER	SNMP	read-write

sonetLineNoAlarmTrap Class

Table A-89 sonetLineNoAlarmTrap Class Attributes

Name	Module	Object	Type	Section	Access
BASIS-GENERIC-MIB.functionModuleType	cardInformation	functionModuleType	INTEGER	SNMP	read-only
BASIS-GENERIC-MIB.moduleSlotNumber	cardInformation	moduleSlotNumber	INTEGER	SNMP	read-only
BASIS-GENERIC-MIB.moduleTrapAlarmSeverity	cardInformation	moduleTrapAlarmSeverity	INTEGER	SNMP	read-only
BASIS-SHELF-MIB.shelfNodeName	basisShelf	shelfNodeName	DisplayString	SNMP	read-write
CISCO-MGX82XX-SONET-MIB.cwSonetLineCurrentStatus	cwSonetLineCurrentEntry	cwSonetLineCurrentStatus	INTEGER	SNMP	read-only
CISCO-MGX82XX-SONET-MIB.sonetLineNum	sonetConfigEntry	sonetLineNum	INTEGER	SNMP, LocalDB	read-only
CISCO-MGX82XX-SONET-MIB.sonetLineType	sonetConfigEntry	sonetLineType	INTEGER	SNMP	read-write

sonetLineLpbkEnableTrapnum Class

Table A-90 sonetLineLpbkEnableTrapnum Class Attributes

Name	Module	Object	Type	Section	Access
BASIS-GENERIC-MIB.functionModuleType	cardInformation	functionModuleType	INTEGER	SNMP	read-only
BASIS-GENERIC-MIB.moduleSlotNumber	cardInformation	moduleSlotNumber	INTEGER	SNMP	read-only
BASIS-GENERIC-MIB.moduleTrapAlarmSeverity	cardInformation	moduleTrapAlarmSeverity	INTEGER	SNMP	read-only
BASIS-SHELF-MIB.shelfNodeName	basisShelf	shelfNodeName	DisplayString	SNMP	read-write
CISCO-MGX82XX-SONET-MIB.cwSonetLineCurrentStatus	cwSonetLineCurrentEntry	cwSonetLineCurrentStatus	INTEGER	SNMP	read-only
CISCO-MGX82XX-SONET-MIB.sonetLineNum	sonetConfigEntry	sonetLineNum	INTEGER	SNMP, LocalDB	read-only
CISCO-MGX82XX-SONET-MIB.sonetLineType	sonetConfigEntry	sonetLineType	INTEGER	SNMP	read-write

sonetLineLpbkDisableTrapnum Class

Table A-91 sonetLineLpbkDisableTrapnum Class Attributes

Name	Module	Object	Type	Section	Access
BASIS-GENERIC-MIB.functionModuleType	cardInformation	functionModuleType	INTEGER	SNMP	read-only
BASIS-GENERIC-MIB.moduleSlotNumber	cardInformation	moduleSlotNumber	INTEGER	SNMP	read-only
BASIS-GENERIC-MIB.moduleTrapAlarmSeverity	cardInformation	moduleTrapAlarmSeverity	INTEGER	SNMP	read-only
BASIS-SHELF-MIB.shelfNodeName	basisShelf	shelfNodeName	DisplayString	SNMP	read-write
CISCO-MGX82XX-SONET-MIB.cwSonetLineCurrentStatus	cwSonetLineCurrentEntry	cwSonetLineCurrentStatus	INTEGER	SNMP	read-only
CISCO-MGX82XX-SONET-MIB.sonetLineNum	sonetConfigEntry	sonetLineNum	INTEGER	SNMP, LocalDB	read-only
CISCO-MGX82XX-SONET-MIB.sonetLineType	sonetConfigEntry	sonetLineType	INTEGER	SNMP	read-write

dsx3StatLineAlarmTrap Class

Table A-92 dsx3StatLineAlarmTrap Class Attributes

Name	Module	Object	Type	Section	Access
BASIS-GENERIC-MIB.functionModuleType	cardInformation	functionModuleType	INTEGER	SNMP	read-only
BASIS-GENERIC-MIB.moduleSlotNumber	cardInformation	moduleSlotNumber	INTEGER	SNMP	read-only
BASIS-GENERIC-MIB.moduleTrapAlarmSeverity	cardInformation	moduleTrapAlarmSeverity	INTEGER	SNMP	read-only
BASIS-SHELF-MIB.shelfNodeName	basisShelf	shelfNodeName	DisplayString	SNMP	read-write
CISCO-MGX82XX-DSX3-MIB.cwDsx3LineType	cwDsx3ConfigEntry	cwDsx3LineType	INTEGER	SNMP	read-write
CISCO-MGX82XX-DSX3-MIB.dsx3LineAlarmState	dsx3AlarmEntry	dsx3LineAlarmState	INTEGER	SNMP	read-only
CISCO-MGX82XX-DSX3-MIB.dsx3LineNum	cwDsx3ConfigEntry	dsx3LineNum	INTEGER	SNMP, LocalDB	read-only

bnmStatSonetSectionalmTrapnum Class

Table A-93 bnmStatSonetSectionalmTrapnum Class Attributes

Name	Module	Object	Type	Section	Access
BASIS-GENERIC-MIB.functionModuleType	cardInformation	functionModuleType	INTEGER	SNMP	read-only
BASIS-GENERIC-MIB.moduleSlotNumber	cardInformation	moduleSlotNumber	INTEGER	SNMP	read-only
BASIS-GENERIC-MIB.moduleTrapAlarmSeverity	cardInformation	moduleTrapAlarmSeverity	INTEGER	SNMP	read-only
BASIS-SHELF-MIB.shelfNodeName	basisShelf	shelfNodeName	DisplayString	SNMP	read-write
CISCO-MGX82XX-SONET-MIB.cwSonetLineCurrentStatus	cwSonetLineCurrentEntry	cwSonetLineCurrentStatus	INTEGER	SNMP	read-only
CISCO-MGX82XX-SONET-MIB.sonetLineNum	sonetConfigEntry	sonetLineNum	INTEGER	SNMP, LocalDB	read-only
CISCO-MGX82XX-SONET-MIB.sonetLineType	sonetConfigEntry	sonetLineType	INTEGER	SNMP	read-write

bnmStatSonetLinealmTrapnum Class

Table A-94 *bnmStatSonetLinealmTrapnum Class Attributes*

Name	Module	Object	Type	Section	Access
BASIS-GENERIC-MIB.functionModuleType	cardInformation	functionModuleType	INTEGER	SNMP	read-only
BASIS-GENERIC-MIB.moduleSlotNumber	cardInformation	moduleSlotNumber	INTEGER	SNMP	read-only
BASIS-GENERIC-MIB.moduleTrapAlarmSeverity	cardInformation	moduleTrapAlarmSeverity	INTEGER	SNMP	read-only
BASIS-SHELF-MIB.shelfNodeName	basisShelf	shelfNodeName	DisplayString	SNMP	read-write
CISCO-MGX82XX-SONET-MIB.cwSonetLineCurrentStatus	cwSonetLineCurrentEntry	cwSonetLineCurrentStatus	INTEGER	SNMP	read-only
CISCO-MGX82XX-SONET-MIB.sonetLineNum	sonetConfigEntry	sonetLineNum	INTEGER	SNMP, LocalDB	read-only
CISCO-MGX82XX-SONET-MIB.sonetLineType	sonetConfigEntry	sonetLineType	INTEGER	SNMP	read-write

bnmStatSonetPathalmTrapnum Class

Table A-95 *bnmStatSonetPathalmTrapnum Class Attributes*

Name	Module	Object	Type	Section	Access
BASIS-GENERIC-MIB.functionModuleType	cardInformation	functionModuleType	INTEGER	SNMP	read-only
BASIS-GENERIC-MIB.moduleSlotNumber	cardInformation	moduleSlotNumber	INTEGER	SNMP	read-only
BASIS-GENERIC-MIB.moduleTrapAlarmSeverity	cardInformation	moduleTrapAlarmSeverity	INTEGER	SNMP	read-only
BASIS-SHELF-MIB.shelfNodeName	basisShelf	shelfNodeName	DisplayString	SNMP	read-write
CISCO-MGX82XX-SONET-MIB.cwSonetLineCurrentStatus	cwSonetLineCurrentEntry	cwSonetLineCurrentStatus	INTEGER	SNMP	read-only
CISCO-MGX82XX-SONET-MIB.sonetLineNum	sonetConfigEntry	sonetLineNum	INTEGER	SNMP, LocalDB	read-only
CISCO-MGX82XX-SONET-MIB.sonetLineType	sonetConfigEntry	sonetLineType	INTEGER	SNMP	read-write

bnmPlcpAlmActiveTrap Class

Table A-96 *bnmPlcpAlmActiveTrap Class Attributes*

Name	Module	Object	Type	Section	Access
BASIS-GENERIC-MIB.functionModuleType	cardInformation	functionModuleType	INTEGER	SNMP	read-only
BASIS-GENERIC-MIB.moduleSlotNumber	cardInformation	moduleSlotNumber	INTEGER	SNMP	read-only
BASIS-GENERIC-MIB.moduleTrapAlarmSeverity	cardInformation	moduleTrapAlarmSeverity	INTEGER	SNMP	read-only
BASIS-SHELF-MIB.shelfNodeName	basisShelf	shelfNodeName	DisplayString	SNMP	read-write
CISCO-MGX82XX-DSX3-MIB.cwDsx3LineType	cwDsx3ConfigEntry	cwDsx3LineType	INTEGER	SNMP	read-write
CISCO-MGX82XX-DSX3-MIB.dsx3LineAlarmState	dsx3AlarmEntry	dsx3LineAlarmState	INTEGER	SNMP	read-only
CISCO-MGX82XX-DSX3-MIB.dsx3LineNum	cwDsx3ConfigEntry	dsx3LineNum	INTEGER	SNMP, LocalDB	read-only

bnmPlcpAlmFailedTrap Class

Table A-97 *bnmPlcpAlmFailedTrap Class Attributes*

Name	Module	Object	Type	Section	Access
BASIS-GENERIC-MIB.functionModuleType	cardInformation	functionModuleType	INTEGER	SNMP	read-only
BASIS-GENERIC-MIB.moduleSlotNumber	cardInformation	moduleSlotNumber	INTEGER	SNMP	read-only
BASIS-GENERIC-MIB.moduleTrapAlarmSeverity	cardInformation	moduleTrapAlarmSeverity	INTEGER	SNMP	read-only
BASIS-SHELF-MIB.shelfNodeName	basisShelf	shelfNodeName	DisplayString	SNMP	read-write
CISCO-MGX82XX-DSX3-MIB.cwDsx3LineType	cwDsx3ConfigEntry	cwDsx3LineType	INTEGER	SNMP	read-write
CISCO-MGX82XX-DSX3-MIB.dsx3LineAlarmState	dsx3AlarmEntry	dsx3LineAlarmState	INTEGER	SNMP	read-only
CISCO-MGX82XX-DSX3-MIB.dsx3LineNum	cwDsx3ConfigEntry	dsx3LineNum	INTEGER	SNMP, LocalDB	read-only

bnmPlcpStatalmTrap Class

Table A-98 *bnmPlcpStatalmTrap Class Attributes*

Name	Module	Object	Type	Section	Access
BASIS-GENERIC-MIB.functionModuleType	cardInformation	functionModuleType	INTEGER	SNMP	read-only
BASIS-GENERIC-MIB.moduleSlotNumber	cardInformation	moduleSlotNumber	INTEGER	SNMP	read-only
BASIS-GENERIC-MIB.moduleTrapAlarmSeverity	cardInformation	moduleTrapAlarmSeverity	INTEGER	SNMP	read-only
BASIS-SHELF-MIB.shelfNodeName	basisShelf	shelfNodeName	DisplayString	SNMP	read-write
CISCO-MGX82XX-DSX3-MIB.cwDsx3LineType	cwDsx3ConfigEntry	cwDsx3LineType	INTEGER	SNMP	read-write
CISCO-MGX82XX-DSX3-MIB.dsx3LineAlarmState	dsx3AlarmEntry	dsx3LineAlarmState	INTEGER	SNMP	read-only
CISCO-MGX82XX-DSX3-MIB.dsx3LineNum	cwDsx3ConfigEntry	dsx3LineNum	INTEGER	SNMP, LocalDB	read-only

bnmPlcpLpbkEnableTrap Class

Table A-99 *bnmPlcpLpbkEnableTrap Class Attributes*

Name	Module	Object	Type	Section	Access
BASIS-GENERIC-MIB.functionModuleType	cardInformation	functionModuleType	INTEGER	SNMP	read-only
BASIS-GENERIC-MIB.moduleSlotNumber	cardInformation	moduleSlotNumber	INTEGER	SNMP	read-only
BASIS-GENERIC-MIB.moduleTrapAlarmSeverity	cardInformation	moduleTrapAlarmSeverity	INTEGER	SNMP	read-only
BASIS-SHELF-MIB.shelfNodeName	basisShelf	shelfNodeName	DisplayString	SNMP	read-write
CISCO-MGX82XX-DSX3-MIB.cwDsx3LineType	cwDsx3ConfigEntry	cwDsx3LineType	INTEGER	SNMP	read-write
CISCO-MGX82XX-DSX3-MIB.dsx3LineAlarmState	dsx3AlarmEntry	dsx3LineAlarmState	INTEGER	SNMP	read-only
CISCO-MGX82XX-DSX3-MIB.dsx3LineNum	cwDsx3ConfigEntry	dsx3LineNum	INTEGER	SNMP, LocalDB	read-only

bnmPlcpLpbkDisableTrap Class

Table A-100 bnmPlcpLpbkDisableTrap Class Attributes

Name	Module	Object	Type	Section	Access
BASIS-GENERIC-MIB.functionModuleType	cardInformation	functionModuleType	INTEGER	SNMP	read-only
BASIS-GENERIC-MIB.moduleSlotNumber	cardInformation	moduleSlotNumber	INTEGER	SNMP	read-only
BASIS-GENERIC-MIB.moduleTrapAlarmSeverity	cardInformation	moduleTrapAlarmSeverity	INTEGER	SNMP	read-only
BASIS-SHELF-MIB.shelfNodeName	basisShelf	shelfNodeName	DisplayString	SNMP	read-write
CISCO-MGX82XX-DSX3-MIB.cwDsx3LineType	cwDsx3ConfigEntry	cwDsx3LineType	INTEGER	SNMP	read-write
CISCO-MGX82XX-DSX3-MIB.dsx3LineAlarmState	dsx3AlarmEntry	dsx3LineAlarmState	INTEGER	SNMP	read-only
CISCO-MGX82XX-DSX3-MIB.dsx3LineNum	cwDsx3ConfigEntry	dsx3LineNum	INTEGER	SNMP, LocalDB	read-only

dsx1LineNoAlarmTrap Class

Table A-101 dsx1LineNoAlarmTrap Class Attributes

Name	Module	Object	Type	Section	Access
BASIS-GENERIC-MIB.functionModuleType	cardInformation	functionModuleType	INTEGER	SNMP	read-only
BASIS-GENERIC-MIB.moduleSlotNumber	cardInformation	moduleSlotNumber	INTEGER	SNMP	read-only
BASIS-GENERIC-MIB.moduleTrapAlarmSeverity	cardInformation	moduleTrapAlarmSeverity	INTEGER	SNMP	read-only
BASIS-SHELF-MIB.shelfNodeName	basisShelf	shelfNodeName	DisplayString	SNMP	read-write
CISCO-MGX82XX-DSX1-MIB.lineAlarmState	dsx1AlmGrpEntry	lineAlarmState	INTEGER	SNMP	read-only
CISCO-MGX82XX-DSX1-MIB.lineNum	dsx1CnfGrpEntry	lineNum	INTEGER	SNMP, LocalDB	read-only
CISCO-MGX82XX-DSX1-MIB.lineType	dsx1CnfGrpEntry	lineType	INTEGER	SNMP	read-write

dsx1LineInAlarmTrap Class

Table A-102 dsx1LineInAlarmTrap Class Attributes

Name	Module	Object	Type	Section	Access
BASIS-GENERIC-MIB.functionModuleType	cardInformation	functionModuleType	INTEGER	SNMP	read-only
BASIS-GENERIC-MIB.moduleSlotNumber	cardInformation	moduleSlotNumber	INTEGER	SNMP	read-only
BASIS-GENERIC-MIB.moduleTrapAlarmSeverity	cardInformation	moduleTrapAlarmSeverity	INTEGER	SNMP	read-only
BASIS-SHELF-MIB.shelfNodeName	basisShelf	shelfNodeName	DisplayString	SNMP	read-write
CISCO-MGX82XX-DSX1-MIB.lineAlarmState	dsx1AlmGrpEntry	lineAlarmState	INTEGER	SNMP	read-only
CISCO-MGX82XX-DSX1-MIB.lineNum	dsx1CnfGrpEntry	lineNum	INTEGER	SNMP, LocalDB	read-only
CISCO-MGX82XX-DSX1-MIB.lineType	dsx1CnfGrpEntry	lineType	INTEGER	SNMP	read-write

dsx1LineLpbkEnableTrap Class

Table A-103 dsx1LineLpbkEnableTrap Class Attributes

Name	Module	Object	Type	Section	Access
BASIS-GENERIC-MIB.functionModuleType	cardInformation	functionModuleType	INTEGER	SNMP	read-only
BASIS-GENERIC-MIB.moduleSlotNumber	cardInformation	moduleSlotNumber	INTEGER	SNMP	read-only
BASIS-GENERIC-MIB.moduleTrapAlarmSeverity	cardInformation	moduleTrapAlarmSeverity	INTEGER	SNMP	read-only
BASIS-SHELF-MIB.shelfNodeName	basisShelf	shelfNodeName	DisplayString	SNMP	read-write
CISCO-MGX82XX-DSX1-MIB.lineAlarmState	dsx1AlmGrpEntry	lineAlarmState	INTEGER	SNMP	read-only
CISCO-MGX82XX-DSX1-MIB.lineNum	dsx1CnfGrpEntry	lineNum	INTEGER	SNMP, LocalDB	read-only
CISCO-MGX82XX-DSX1-MIB.lineType	dsx1CnfGrpEntry	lineType	INTEGER	SNMP	read-write

dsx1LineLpbkDisableTrap Class

Table A-104 dsx1LineLpbkDisableTrap Class Attributes

Name	Module	Object	Type	Section	Access
BASIS-GENERIC-MIB.functionModuleType	cardInformation	functionModuleType	INTEGER	SNMP	read-only
BASIS-GENERIC-MIB.moduleSlotNumber	cardInformation	moduleSlotNumber	INTEGER	SNMP	read-only
BASIS-GENERIC-MIB.moduleTrapAlarmSeverity	cardInformation	moduleTrapAlarmSeverity	INTEGER	SNMP	read-only
BASIS-SHELF-MIB.shelfNodeName	basisShelf	shelfNodeName	DisplayString	SNMP	read-write
CISCO-MGX82XX-DSX1-MIB.lineAlarmState	dsx1AlmGrpEntry	lineAlarmState	INTEGER	SNMP	read-only
CISCO-MGX82XX-DSX1-MIB.lineNum	dsx1CnfGrpEntry	lineNum	INTEGER	SNMP, LocalDB	read-only
CISCO-MGX82XX-DSX1-MIB.lineType	dsx1CnfGrpEntry	lineType	INTEGER	SNMP	read-write

trapCardOvrSubscribed Class

Table A-105 trapCardOvrSubscribed Class Attributes

Name	Module	Object	Type	Section	Access
BASIS-GENERIC-MIB.functionModuleType	cardInformation	functionModuleType	INTEGER	SNMP	read-only
BASIS-GENERIC-MIB.moduleSlotNumber	cardInformation	moduleSlotNumber	INTEGER	SNMP	read-only
BASIS-GENERIC-MIB.moduleTrapAlarmSeverity	cardInformation	moduleTrapAlarmSeverity	INTEGER	SNMP	read-only
BASIS-SHELF-MIB.shelfNodeName	basisShelf	shelfNodeName	DisplayString	SNMP	read-write

trapLineEnabled Class

Table A-106 trapLineEnabled Class Attributes

Name	Module	Object	Type	Section	Access
BASIS-GENERIC-MIB.functionModuleType	cardInformation	functionModuleType	INTEGER	SNMP	read-only
BASIS-GENERIC-MIB.moduleSlotNumber	cardInformation	moduleSlotNumber	INTEGER	SNMP	read-only
BASIS-GENERIC-MIB.moduleTrapAlarmSeverity	cardInformation	moduleTrapAlarmSeverity	INTEGER	SNMP	read-only
BASIS-SHELF-MIB.shelfNodeName	basisShelf	shelfNodeName	DisplayString	SNMP	read-write
CISCO-MGX82XX-DSX1-MIB.lineAlarmState	dsx1AlmGrpEntry	lineAlarmState	INTEGER	SNMP	read-only
CISCO-MGX82XX-DSX1-MIB.lineNum	dsx1CnfGrpEntry	lineNum	INTEGER	SNMP, LocalDB	read-only
CISCO-MGX82XX-DSX1-MIB.lineType	dsx1CnfGrpEntry	lineType	INTEGER	SNMP	read-write

trapPortAdded Class

Table A-107 trapPortAdded Class Attributes

Name	Module	Object	Type	Section	Access
BASIS-GENERIC-MIB.functionModuleType	cardInformation	functionModuleType	INTEGER	SNMP	read-only
BASIS-GENERIC-MIB.moduleSlotNumber	cardInformation	moduleSlotNumber	INTEGER	SNMP	read-only
BASIS-GENERIC-MIB.moduleTrapAlarmSeverity	cardInformation	moduleTrapAlarmSeverity	INTEGER	SNMP	read-only
BASIS-SHELF-MIB.shelfNodeName	basisShelf	shelfNodeName	DisplayString	SNMP	read-write
CISCO-MGX82XX-DSX1-MIB.lineAlarmState	dsx1AlmGrpEntry	lineAlarmState	INTEGER	SNMP	read-only
CISCO-MGX82XX-DSX1-MIB.lineNum	dsx1CnfGrpEntry	lineNum	INTEGER	SNMP, LocalDB	read-only
CISCO-MGX82XX-DSX1-MIB.lineType	dsx1CnfGrpEntry	lineType	INTEGER	SNMP	read-write

trapPortActive Class

Table A-108 trapPortActive Class Attributes

Name	Module	Object	Type	Section	Access
BASIS-GENERIC-MIB.functionModuleType	cardInformation	functionModuleType	INTEGER	SNMP	read-only
BASIS-GENERIC-MIB.moduleSlotNumber	cardInformation	moduleSlotNumber	INTEGER	SNMP	read-only
BASIS-GENERIC-MIB.moduleTrapAlarmSeverity	cardInformation	moduleTrapAlarmSeverity	INTEGER	SNMP	read-only
BASIS-SHELF-MIB.shelfNodeName	basisShelf	shelfNodeName	DisplayString	SNMP	read-write
CISCO-WAN-AXIPOP-MIB.portDs0ConfigBitMap	frPortCnfPortGrpEntry	portDs0ConfigBitMap	INTEGER	SNMP	read-write
CISCO-WAN-AXIPOP-MIB.portNum	frPortCnfPortGrpEntry	portNum	INTEGER	SNMP	read-only
CISCO-WAN-AXIPOP-MIB.portSignallingState	frPortStateGrpEntry	portSignallingState	INTEGER	SNMP	read-only
CISCO-WAN-AXIPOP-MIB.portState	frPortStateGrpEntry	portState	INTEGER	SNMP	read-only

trapPortFailed Class

Table A-109 trapPortFailed Class Attributes

Name	Module	Object	Type	Section	Access
BASIS-GENERIC-MIB.functionModuleType	cardInformation	functionModuleType	INTEGER	SNMP	read-only
BASIS-GENERIC-MIB.moduleSlotNumber	cardInformation	moduleSlotNumber	INTEGER	SNMP	read-only
BASIS-GENERIC-MIB.moduleTrapAlarmSeverity	cardInformation	moduleTrapAlarmSeverity	INTEGER	SNMP	read-only
BASIS-SHELF-MIB.shelfNodeName	basisShelf	shelfNodeName	DisplayString	SNMP	read-write
CISCO-WAN-AXIPOP-MIB.portDs0ConfigBitMap	frPortCnfPortGrpEntry	portDs0ConfigBitMap	INTEGER	SNMP	read-write
CISCO-WAN-AXIPOP-MIB.portNum	frPortCnfPortGrpEntry	portNum	INTEGER	SNMP	read-only

Table A-109 trapPortFailed Class Attributes (continued)

CISCO-WAN-AXIPOP-MIB.portSignallingState	frPortStateGrpEntry	portSignallingState	INTEGER	SNMP	read-only
CISCO-WAN-AXIPOP-MIB.portState	frPortStateGrpEntry	portState	INTEGER	SNMP	read-only

trapPortDelete Class

Table A-110 trapPortDelete Class Attributes

Name	Module	Object	Type	Section	Access
BASIS-GENERIC-MIB.functionModuleType	cardInformation	functionModuleType	INTEGER	SNMP	read-only
BASIS-GENERIC-MIB.moduleSlotNumber	cardInformation	moduleSlotNumber	INTEGER	SNMP	read-only
BASIS-GENERIC-MIB.moduleTrapAlarmSeverity	cardInformation	moduleTrapAlarmSeverity	INTEGER	SNMP	read-only
BASIS-SHELF-MIB.shelfNodeName	basisShelf	shelfNodeName	DisplayString	SNMP	read-write
CISCO-WAN-AXIPOP-MIB.portDs0ConfigBitMap	frPortCnfPortGrpEntry	portDs0ConfigBitMap	INTEGER	SNMP	read-write
CISCO-WAN-AXIPOP-MIB.portNum	frPortCnfPortGrpEntry	portNum	INTEGER	SNMP	read-only
CISCO-WAN-AXIPOP-MIB.portSignallingState	frPortStateGrpEntry	portSignallingState	INTEGER	SNMP	read-only
CISCO-WAN-AXIPOP-MIB.portState	frPortStateGrpEntry	portState	INTEGER	SNMP	read-only

trapPortLoopbackEnabled Class

Table A-111 trapPortLoopbackEnabled Class Attributes

Name	Module	Object	Type	Section	Access
BASIS-GENERIC-MIB.functionModuleType	cardInformation	functionModuleType	INTEGER	SNMP	read-only
BASIS-GENERIC-MIB.moduleSlotNumber	cardInformation	moduleSlotNumber	INTEGER	SNMP	read-only
BASIS-GENERIC-MIB.moduleTrapAlarmSeverity	cardInformation	moduleTrapAlarmSeverity	INTEGER	SNMP	read-only

trapPortLoopbackDisabled Class

Table A-111 trapPortLoopbackEnabled Class Attributes (continued)

BASIS-SHELF-MIB.shelfNodeName	basisShelf	shelfNodeName	DisplayString	SNMP	read-write
CISCO-WAN-AXIPOP-MIB.portDs0ConfigBitMap	frPortCnfPortGrpEntry	portDs0ConfigBitMap	INTEGER	SNMP	read-write
CISCO-WAN-AXIPOP-MIB.portNum	frPortCnfPortGrpEntry	portNum	INTEGER	SNMP	read-only
CISCO-WAN-AXIPOP-MIB.portSignallingState	frPortStateGrpEntry	portSignallingState	INTEGER	SNMP	read-only
CISCO-WAN-AXIPOP-MIB.portState	frPortStateGrpEntry	portState	INTEGER	SNMP	read-only

trapPortLoopbackDisabled Class

Table A-112 trapPortLoopbackDisabled Class Attributes

Name	Module	Object	Type	Section	Access
BASIS-GENERIC-MIB.functionModuleType	cardInformation	functionModuleType	INTEGER	SNMP	read-only
BASIS-GENERIC-MIB.moduleSlotNumber	cardInformation	moduleSlotNumber	INTEGER	SNMP	read-only
BASIS-GENERIC-MIB.moduleTrapAlarmSeverity	cardInformation	moduleTrapAlarmSeverity	INTEGER	SNMP	read-only
BASIS-SHELF-MIB.shelfNodeName	basisShelf	shelfNodeName	DisplayString	SNMP	read-write
CISCO-WAN-AXIPOP-MIB.portDs0ConfigBitMap	frPortCnfPortGrpEntry	portDs0ConfigBitMap	INTEGER	SNMP	read-write
CISCO-WAN-AXIPOP-MIB.portNum	frPortCnfPortGrpEntry	portNum	INTEGER	SNMP	read-only
CISCO-WAN-AXIPOP-MIB.portSignallingState	frPortStateGrpEntry	portSignallingState	INTEGER	SNMP	read-only
CISCO-WAN-AXIPOP-MIB.portState	frPortStateGrpEntry	portState	INTEGER	SNMP	read-only

trapPortOvrSubscribed Class

Table A-113 trapPortOvrSubscribed Class Attributes

Name	Module	Object	Type	Section	Access
BASIS-GENERIC-MIB.functionModuleType	cardInformation	functionModuleType	INTEGER	SNMP	read-only
BASIS-GENERIC-MIB.moduleSlotNumber	cardInformation	moduleSlotNumber	INTEGER	SNMP	read-only
BASIS-GENERIC-MIB.moduleTrapAlarmSeverity	cardInformation	moduleTrapAlarmSeverity	INTEGER	SNMP	read-only
BASIS-SHELF-MIB.shelfNodeName	basisShelf	shelfNodeName	DisplayString	SNMP	read-write
CISCO-WAN-AXIPOP-MIB.portDs0ConfigBitMap	frPortCnfPortGrpEntry	portDs0ConfigBitMap	INTEGER	SNMP	read-write
CISCO-WAN-AXIPOP-MIB.portNum	frPortCnfPortGrpEntry	portNum	INTEGER	SNMP	read-only
CISCO-WAN-AXIPOP-MIB.portSignallingState	frPortStateGrpEntry	portSignallingState	INTEGER	SNMP	read-only
CISCO-WAN-AXIPOP-MIB.portState	frPortStateGrpEntry	portState	INTEGER	SNMP	read-only

trapChanActive Class

Table A-114 trapChanActive Class Attributes

Name	Module	Object	Type	Section	Access
BASIS-GENERIC-MIB.functionModuleType	cardInformation	functionModuleType	INTEGER	SNMP	read-only
BASIS-GENERIC-MIB.moduleSlotNumber	cardInformation	moduleSlotNumber	INTEGER	SNMP	read-only
BASIS-GENERIC-MIB.moduleTrapAlarmSeverity	cardInformation	moduleTrapAlarmSeverity	INTEGER	SNMP	read-only
BASIS-SHELF-MIB.shelfNodeName	basisShelf	shelfNodeName	DisplayString	SNMP	read-write
CISCO-WAN-AXIPOP-MIB.chanNum	frChanCnfGrpEntry	chanNum	INTEGER	SNMP	read-only
CISCO-WAN-AXIPOP-MIB.dLCI	frChanCnfGrpEntry	dLCI	INTEGER	SNMP	read-write

trapChanFailed Class

Table A-115 trapChanFailed Class Attributes

Name	Module	Object	Type	Section	Access
BASIS-GENERIC-MIB.functionModuleType	cardInformation	functionModuleType	INTEGER	SNMP	read-only
BASIS-GENERIC-MIB.moduleSlotNumber	cardInformation	moduleSlotNumber	INTEGER	SNMP	read-only
BASIS-GENERIC-MIB.moduleTrapAlarmSeverity	cardInformation	moduleTrapAlarmSeverity	INTEGER	SNMP	read-only
BASIS-SHELF-MIB.shelfNodeName	basisShelf	shelfNodeName	DisplayString	SNMP	read-write
CISCO-WAN-AXIPOP-MIB.chanNum	frChanCnfGrpEntry	chanNum	INTEGER	SNMP	read-only
CISCO-WAN-AXIPOP-MIB.dLCI	frChanCnfGrpEntry	dLCI	INTEGER	SNMP	read-write

trapChanDelete Class

Table A-116 trapChanDelete Class Attributes

Name	Module	Object	Type	Section	Access
BASIS-GENERIC-MIB.functionModuleType	cardInformation	functionModuleType	INTEGER	SNMP	read-only
BASIS-GENERIC-MIB.moduleSlotNumber	cardInformation	moduleSlotNumber	INTEGER	SNMP	read-only
BASIS-GENERIC-MIB.moduleTrapAlarmSeverity	cardInformation	moduleTrapAlarmSeverity	INTEGER	SNMP	read-only
BASIS-SHELF-MIB.shelfNodeName	basisShelf	shelfNodeName	DisplayString	SNMP	read-write
CISCO-WAN-AXIPOP-MIB.chanNum	frChanCnfGrpEntry	chanNum	INTEGER	SNMP	read-only
CISCO-WAN-AXIPOP-MIB.dLCI	frChanCnfGrpEntry	dLCI	INTEGER	SNMP	read-write

trapConfigChange Class

Table A-117 trapConfigChange Class Attributes

Name	Module	Object	Type	Section	Access
BASIS-GENERIC-MIB.configChangeObjectIndex	cardInformation	configChangeObjectIndex	INTEGER	SNMP	read-only
BASIS-GENERIC-MIB.configChangeTypeBitMap	cardInformation	configChangeTypeBitMap	INTEGER	SNMP	read-only
BASIS-GENERIC-MIB.functionModuleType	cardInformation	functionModuleType	INTEGER	SNMP	read-only
BASIS-GENERIC-MIB.moduleSlotNumber	cardInformation	moduleSlotNumber	INTEGER	SNMP	read-only
BASIS-GENERIC-MIB.moduleTrapAlarmSeverity	cardInformation	moduleTrapAlarmSeverity	INTEGER	SNMP	read-only
BASIS-SHELF-MIB.shelfNodeName	basisShelf	shelfNodeName	DisplayString	SNMP	read-write

egressDataBuffersOverflowTrap Class

Table A-118 egressDataBuffersOverflowTrap Class Attributes

Name	Module	Object	Type	Section	Access
BASIS-GENERIC-MIB.functionModuleType	cardInformation	functionModuleType	INTEGER	SNMP	read-only
BASIS-GENERIC-MIB.moduleSlotNumber	cardInformation	moduleSlotNumber	INTEGER	SNMP	read-only
BASIS-GENERIC-MIB.moduleTrapAlarmSeverity	cardInformation	moduleTrapAlarmSeverity	INTEGER	SNMP	read-only
BASIS-SHELF-MIB.shelfNodeName	basisShelf	shelfNodeName	DisplayString	SNMP	read-write

egressDataBuffersNormalTrap Class

Table A-119 egressDataBuffersNormalTrap Class Attributes

Name	Module	Object	Type	Section	Access
BASIS-GENERIC-MIB.functionModuleType	cardInformation	functionModuleType	INTEGER	SNMP	read-only
BASIS-GENERIC-MIB.moduleSlotNumber	cardInformation	moduleSlotNumber	INTEGER	SNMP	read-only
BASIS-GENERIC-MIB.moduleTrapAlarmSeverity	cardInformation	moduleTrapAlarmSeverity	INTEGER	SNMP	read-only
BASIS-SHELF-MIB.shelfNodeName	basisShelf	shelfNodeName	DisplayString	SNMP	read-write

trapSMclearAllCfg Class

Table A-120 trapSMclearAllCfg Class Attributes

Name	Module	Object	Type	Section	Access
BASIS-GENERIC-MIB.functionModuleType	cardInformation	functionModuleType	INTEGER	SNMP	read-only
BASIS-GENERIC-MIB.moduleSlotNumber	cardInformation	moduleSlotNumber	INTEGER	SNMP	read-only
BASIS-GENERIC-MIB.moduleTrapAlarmSeverity	cardInformation	moduleTrapAlarmSeverity	INTEGER	SNMP	read-only
BASIS-SHELF-MIB.shelfNodeName	basisShelf	shelfNodeName	DisplayString	SNMP	read-write

redActivatedTrap Class

Table A-121 redActivatedTrap Class Attributes

Name	Module	Object	Type	Section	Access
BASIS-GENERIC-MIB.functionModuleType	cardInformation	functionModuleType	INTEGER	SNMP	read-only
BASIS-GENERIC-MIB.moduleSlotNumber	cardInformation	moduleSlotNumber	INTEGER	SNMP	read-only
BASIS-GENERIC-MIB.moduleTrapAlarmSeverity	cardInformation	moduleTrapAlarmSeverity	INTEGER	SNMP	read-only
BASIS-SHELF-MIB.redPrimarySlotNum	smRedMapEntry	redPrimarySlotNum	INTEGER	SNMP, LocalDB	read-write
BASIS-SHELF-MIB.redSecondarySlotNum	smRedMapEntry	redSecondarySlotNum	INTEGER	SNMP	read-write
BASIS-SHELF-MIB.redType	smRedMapEntry	redType	INTEGER	SNMP	read-write
BASIS-SHELF-MIB.shelfNodeName	basisShelf	shelfNodeName	DisplayString	SNMP	read-write

redRevertedTrap Class

Table A-122 redRevertedTrap Class Attributes

Name	Module	Object	Type	Section	Access
BASIS-GENERIC-MIB.functionModuleType	cardInformation	functionModuleType	INTEGER	SNMP	read-only
BASIS-GENERIC-MIB.moduleSlotNumber	cardInformation	moduleSlotNumber	INTEGER	SNMP	read-only
BASIS-GENERIC-MIB.moduleTrapAlarmSeverity	cardInformation	moduleTrapAlarmSeverity	INTEGER	SNMP	read-only
BASIS-SHELF-MIB.redPrimarySlotNum	smRedMapEntry	redPrimarySlotNum	INTEGER	SNMP, LocalDB	read-write
BASIS-SHELF-MIB.redSecondarySlotNum	smRedMapEntry	redSecondarySlotNum	INTEGER	SNMP	read-write
BASIS-SHELF-MIB.redType	smRedMapEntry	redType	INTEGER	SNMP	read-write
BASIS-SHELF-MIB.shelfNodeName	basisShelf	shelfNodeName	DisplayString	SNMP	read-write

redAddedTrap Class

Table A-123 redAddedTrap Class Attributes

Name	Module	Object	Type	Section	Access
BASIS-GENERIC-MIB.functionModuleType	cardInformation	functionModuleType	INTEGER	SNMP	read-only
BASIS-GENERIC-MIB.moduleSlotNumber	cardInformation	moduleSlotNumber	INTEGER	SNMP	read-only
BASIS-GENERIC-MIB.moduleTrapAlarmSeverity	cardInformation	moduleTrapAlarmSeverity	INTEGER	SNMP	read-only
BASIS-SHELF-MIB.redPrimarySlotNum	smRedMapEntry	redPrimarySlotNum	INTEGER	SNMP, LocalDB	read-write
BASIS-SHELF-MIB.redSecondarySlotNum	smRedMapEntry	redSecondarySlotNum	INTEGER	SNMP	read-write
BASIS-SHELF-MIB.redType	smRedMapEntry	redType	INTEGER	SNMP	read-write
BASIS-SHELF-MIB.shelfNodeName	basisShelf	shelfNodeName	DisplayString	SNMP	read-write

redDeletedTrap Class

Table A-124 redDeletedTrap Class Attributes

Name	Module	Object	Type	Section	Access
BASIS-GENERIC-MIB.functionModuleType	cardInformation	functionModuleType	INTEGER	SNMP	read-only
BASIS-GENERIC-MIB.moduleSlotNumber	cardInformation	moduleSlotNumber	INTEGER	SNMP	read-only
BASIS-GENERIC-MIB.moduleTrapAlarmSeverity	cardInformation	moduleTrapAlarmSeverity	INTEGER	SNMP	read-only
BASIS-SHELF-MIB.redPrimarySlotNum	smRedMapEntry	redPrimarySlotNum	INTEGER	SNMP, LocalDB	read-write
BASIS-SHELF-MIB.redSecondarySlotNum	smRedMapEntry	redSecondarySlotNum	INTEGER	SNMP	read-write
BASIS-SHELF-MIB.redType	smRedMapEntry	redType	INTEGER	SNMP	read-write
BASIS-SHELF-MIB.shelfNodeName	basisShelf	shelfNodeName	DisplayString	SNMP	read-write

coreCardsConfigMismatchTrap Class

Table A-125 coreCardsConfigMismatchTrap Class Attributes

Name	Module	Object	Type	Section	Access
BASIS-GENERIC-MIB.functionModuleState	cardInformation	functionModuleState	INTEGER	SNMP	read-only
BASIS-GENERIC-MIB.functionModuleType	cardInformation	functionModuleType	INTEGER	SNMP	read-only
BASIS-GENERIC-MIB.moduleSlotNumber	cardInformation	moduleSlotNumber	INTEGER	SNMP	read-only
BASIS-GENERIC-MIB.moduleTrapAlarmSeverity	cardInformation	moduleTrapAlarmSeverity	INTEGER	SNMP	read-only
BASIS-SHELF-MIB.shelfNodeName	basisShelf	shelfNodeName	DisplayString	SNMP	read-write

coreCardsPeerMismatchTrap Class

Table A-126 coreCardsPeerMismatchTrap Class Attributes

Name	Module	Object	Type	Section	Access
BASIS-GENERIC-MIB.functionModuleState	cardInformation	functionModuleState	INTEGER	SNMP	read-only
BASIS-GENERIC-MIB.functionModuleType	cardInformation	functionModuleType	INTEGER	SNMP	read-only
BASIS-GENERIC-MIB.moduleSlotNumber	cardInformation	moduleSlotNumber	INTEGER	SNMP	read-only
BASIS-GENERIC-MIB.moduleTrapAlarmSeverity	cardInformation	moduleTrapAlarmSeverity	INTEGER	SNMP	read-only
BASIS-SHELF-MIB.shelfNodeName	basisShelf	shelfNodeName	DisplayString	SNMP	read-write

trapBERTStart Class

Table A-127 trapBERTStart Class Attributes

Name	Module	Object	Type	Section	Access
BASIS-GENERIC-MIB.functionModuleType	cardInformation	functionModuleType	INTEGER	SNMP	read-only
BASIS-GENERIC-MIB.moduleSlotNumber	cardInformation	moduleSlotNumber	INTEGER	SNMP	read-only
BASIS-GENERIC-MIB.moduleTrapAlarmSeverity	cardInformation	moduleTrapAlarmSeverity	INTEGER	SNMP	read-only
BASIS-SHELF-MIB.shelfNodeName	basisShelf	shelfNodeName	DisplayString	SNMP	read-write
CISCO-WAN-AXIPOP-MIB.berLine	bert	bertLine	INTEGER	SNMP	read-write
CISCO-WAN-AXIPOP-MIB.berPort	bert	bertPort	INTEGER	SNMP	read-write
CISCO-WAN-AXIPOP-MIB.berSlotNumber	bert	bertSlotNumber	INTEGER	SNMP	read-write
CISCO-WAN-AXIPOP-MIB.berStatus	bert	bertStatus	INTEGER	SNMP	read-only
CISCO-WAN-AXIPOP-MIB.berTestMedium	bert	bertTestMedium	INTEGER	SNMP	read-write

trapBERTEnd Class

Table A-128 trapBERTEnd Class Attributes

Name	Module	Object	Type	Section	Access
BASIS-GENERIC-MIB.functionModuleType	cardInformation	functionModuleType	INTEGER	SNMP	read-only
BASIS-GENERIC-MIB.moduleSlotNumber	cardInformation	moduleSlotNumber	INTEGER	SNMP	read-only
BASIS-GENERIC-MIB.moduleTrapAlarmSeverity	cardInformation	moduleTrapAlarmSeverity	INTEGER	SNMP	read-only
BASIS-SHELF-MIB.shelfNodeName	basisShelf	shelfNodeName	DisplayString	SNMP	read-write
CISCO-WAN-AXIPOP-MIB.berLine	bert	bertLine	INTEGER	SNMP	read-write
CISCO-WAN-AXIPOP-MIB.berPort	bert	bertPort	INTEGER	SNMP	read-write

Table A-128 trapBERTEnd Class Attributes (continued)

CISCO-WAN-AXIPOP-MIB.bertSlotNumber	bert	bertSlotNumber	INTEGER	SNMP	read-write
CISCO-WAN-AXIPOP-MIB.bertStatus	bert	bertStatus	INTEGER	SNMP	read-only
CISCO-WAN-AXIPOP-MIB.bertTestMedium	bert	bertTestMedium	INTEGER	SNMP	read-write

trapBERTAbort Class

Table A-129 trapBERTAbort Class Attributes

Name	Module	Object	Type	Section	Access
BASIS-GENERIC-MIB.functionModuleType	cardInformation	functionModuleType	INTEGER	SNMP	read-only
BASIS-GENERIC-MIB.moduleSlotNumber	cardInformation	moduleSlotNumber	INTEGER	SNMP	read-only
BASIS-GENERIC-MIB.moduleTrapAlarmSeverity	cardInformation	moduleTrapAlarmSeverity	INTEGER	SNMP	read-only
BASIS-SHELF-MIB.shelfNodeName	basisShelf	shelfNodeName	DisplayString	SNMP	read-write
CISCO-WAN-AXIPOP-MIB.bertLine	bert	bertLine	INTEGER	SNMP	read-write
CISCO-WAN-AXIPOP-MIB.bertPort	bert	bertPort	INTEGER	SNMP	read-write
CISCO-WAN-AXIPOP-MIB.bertSlotNumber	bert	bertSlotNumber	INTEGER	SNMP	read-write
CISCO-WAN-AXIPOP-MIB.bertStatus	bert	bertStatus	INTEGER	SNMP	read-only
CISCO-WAN-AXIPOP-MIB.bertTestMedium	bert	bertTestMedium	INTEGER	SNMP	read-write

srm3t3Xmtclksource Class

Table A-130 srm3t3Xmtclksource Class Attributes

Name	Module	Object	Type	Section	Access
BASIS-GENERIC-MIB.functionModuleType	cardInformation	functionModuleType	INTEGER	SNMP	read-only
BASIS-GENERIC-MIB.moduleSlotNumber	cardInformation	moduleSlotNumber	INTEGER	SNMP	read-only
BASIS-GENERIC-MIB.moduleTrapAlarmSeverity	cardInformation	moduleTrapAlarmSeverity	INTEGER	SNMP	read-only
BASIS-SHELF-MIB.shelfNodeName	basisShelf	shelfNodeName	DisplayString	SNMP	read-write
CISCO-MGX82XX-DSX3-MIB.cwDsx3LineType	cwDsx3ConfigEntry	cwDsx3LineType	INTEGER	SNMP	read-write
CISCO-MGX82XX-DSX3-MIB.dsx3LineAlarmState	dsx3AlarmEntry	dsx3LineAlarmState	INTEGER	SNMP	read-only
CISCO-MGX82XX-DSX3-MIB.dsx3LineNum	cwDsx3ConfigEntry	dsx3LineNum	INTEGER	SNMP, LocalDB	read-only

srm3t3LineEnable Class

Table A-131 srm3t3LineEnable Class Attributes

Name	Module	Object	Type	Section	Access
BASIS-GENERIC-MIB.functionModuleType	cardInformation	functionModuleType	INTEGER	SNMP	read-only
BASIS-GENERIC-MIB.moduleSlotNumber	cardInformation	moduleSlotNumber	INTEGER	SNMP	read-only
BASIS-GENERIC-MIB.moduleTrapAlarmSeverity	cardInformation	moduleTrapAlarmSeverity	INTEGER	SNMP	read-only
BASIS-SHELF-MIB.shelfNodeName	basisShelf	shelfNodeName	DisplayString	SNMP	read-write
CISCO-MGX82XX-DSX3-MIB.cwDsx3LineType	cwDsx3ConfigEntry	cwDsx3LineType	INTEGER	SNMP	read-write
CISCO-MGX82XX-DSX3-MIB.dsx3LineAlarmState	dsx3AlarmEntry	dsx3LineAlarmState	INTEGER	SNMP	read-only
CISCO-MGX82XX-DSX3-MIB.dsx3LineNum	cwDsx3ConfigEntry	dsx3LineNum	INTEGER	SNMP, LocalDB	read-only

srm3t3LineDisable Class

Table A-132 srm3t3LineDisable Class Attributes

Name	Module	Object	Type	Section	Access
BASIS-GENERIC-MIB.functionModuleType	cardInformation	functionModuleType	INTEGER	SNMP	read-only
BASIS-GENERIC-MIB.moduleSlotNumber	cardInformation	moduleSlotNumber	INTEGER	SNMP	read-only
BASIS-GENERIC-MIB.moduleTrapAlarmSeverity	cardInformation	moduleTrapAlarmSeverity	INTEGER	SNMP	read-only
BASIS-SHELF-MIB.shelfNodeName	basisShelf	shelfNodeName	DisplayString	SNMP	read-write
CISCO-MGX82XX-DSX3-MIB.cwDsx3LineType	cwDsx3ConfigEntry	cwDsx3LineType	INTEGER	SNMP	read-write
CISCO-MGX82XX-DSX3-MIB.dsx3LineAlarmState	dsx3AlarmEntry	dsx3LineAlarmState	INTEGER	SNMP	read-only
CISCO-MGX82XX-DSX3-MIB.dsx3LineNum	cwDsx3ConfigEntry	dsx3LineNum	INTEGER	SNMP, LocalDB	read-only

srm3t3FELineLpbkEnable Class

Table A-133 srm3t3FELineLpbkEnable Class Attributes

Name	Module	Object	Type	Section	Access
BASIS-GENERIC-MIB.functionModuleType	cardInformation	functionModuleType	INTEGER	SNMP	read-only
BASIS-GENERIC-MIB.moduleSlotNumber	cardInformation	moduleSlotNumber	INTEGER	SNMP	read-only
BASIS-GENERIC-MIB.moduleTrapAlarmSeverity	cardInformation	moduleTrapAlarmSeverity	INTEGER	SNMP	read-only
BASIS-SHELF-MIB.shelfNodeName	basisShelf	shelfNodeName	DisplayString	SNMP	read-write
CISCO-MGX82XX-DSX3-MIB.cwDsx3LineType	cwDsx3ConfigEntry	cwDsx3LineType	INTEGER	SNMP	read-write
CISCO-MGX82XX-DSX3-MIB.dsx3LineAlarmState	dsx3AlarmEntry	dsx3LineAlarmState	INTEGER	SNMP	read-only
CISCO-MGX82XX-DSX3-MIB.dsx3LineNum	cwDsx3ConfigEntry	dsx3LineNum	INTEGER	SNMP, LocalDB	read-only

srm3t3LineLpbkDisable Class

Table A-134 srm3t3LineLpbkDisable Class Attributes

Name	Module	Object	Type	Section	Access
BASIS-GENERIC-MIB.functionModuleType	cardInformation	functionModuleType	INTEGER	SNMP	read-only
BASIS-GENERIC-MIB.moduleSlotNumber	cardInformation	moduleSlotNumber	INTEGER	SNMP	read-only
BASIS-GENERIC-MIB.moduleTrapAlarmSeverity	cardInformation	moduleTrapAlarmSeverity	INTEGER	SNMP	read-only
BASIS-SHELF-MIB.shelfNodeName	basisShelf	shelfNodeName	DisplayString	SNMP	read-write
CISCO-MGX82XX-DSX3-MIB.cwDsx3LineType	cwDsx3ConfigEntry	cwDsx3LineType	INTEGER	SNMP	read-write
CISCO-MGX82XX-DSX3-MIB.dsx3LineAlarmState	dsx3AlarmEntry	dsx3LineAlarmState	INTEGER	SNMP	read-only
CISCO-MGX82XX-DSX3-MIB.dsx3LineNum	cwDsx3ConfigEntry	dsx3LineNum	INTEGER	SNMP, LocalDB	read-only

srm3t3AddLink Class

Table A-135 srm3t3AddLink Class Attributes

Name	Module	Object	Type	Section	Access
BASIS-GENERIC-MIB.functionModuleType	cardInformation	functionModuleType	INTEGER	SNMP	read-only
BASIS-GENERIC-MIB.moduleSlotNumber	cardInformation	moduleSlotNumber	INTEGER	SNMP	read-only
BASIS-GENERIC-MIB.moduleTrapAlarmSeverity	cardInformation	moduleTrapAlarmSeverity	INTEGER	SNMP	read-only
BASIS-SHELF-MIB.shelfNodeName	basisShelf	shelfNodeName	DisplayString	SNMP	read-write
CISCO-WAN-AXIPOP-MIB.srmStartT1LineNum	srm3T3CnfGrpEntry	srmStartT1LineNum	INTEGER	SNMP, LocalDB	read-only
CISCO-WAN-AXIPOP-MIB.srmT3LineNum	srm3T3CnfGrpEntry	srmT3LineNum	INTEGER	SNMP, LocalDB	read-only
CISCO-WAN-AXIPOP-MIB.srmTargetSlotLineNum	srm3T3CnfGrpEntry	srmTargetSlotLineNum	INTEGER	SNMP	read-write
CISCO-WAN-AXIPOP-MIB.srmTargetSlotNum	srm3T3CnfGrpEntry	srmTargetSlotNum	INTEGER	SNMP	read-write

srm3t3DelLink Class

Table A-136 srm3t3DelLink Class Attributes

Name	Module	Object	Type	Section	Access
BASIS-GENERIC-MIB.functionModuleType	cardInformation	functionModuleType	INTEGER	SNMP	read-only
BASIS-GENERIC-MIB.moduleSlotNumber	cardInformation	moduleSlotNumber	INTEGER	SNMP	read-only
BASIS-GENERIC-MIB.moduleTrapAlarmSeverity	cardInformation	moduleTrapAlarmSeverity	INTEGER	SNMP	read-only
BASIS-SHELF-MIB.shelfNodeName	basisShelf	shelfNodeName	DisplayString	SNMP	read-write
CISCO-WAN-AXIPOP-MIB.srmStartT1LineNum	srm3T3CnfGrpEntry	srmStartT1LineNum	INTEGER	SNMP, LocalDB	read-only
CISCO-WAN-AXIPOP-MIB.srmT3LineNum	srm3T3CnfGrpEntry	srmT3LineNum	INTEGER	SNMP, LocalDB	read-only
CISCO-WAN-AXIPOP-MIB.srmTargetSlotLineNum	srm3T3CnfGrpEntry	srmTargetSlotLineNum	INTEGER	SNMP	read-write
CISCO-WAN-AXIPOP-MIB.srmTargetSlotNum	srm3T3CnfGrpEntry	srmTargetSlotNum	INTEGER	SNMP	read-write

srm3t3DelSlotLink Class

Table A-137 srm3t3DelSlotLink Class Attributes

Name	Module	Object	Type	Section	Access
BASIS-GENERIC-MIB.functionModuleType	cardInformation	functionModuleType	INTEGER	SNMP	read-only
BASIS-GENERIC-MIB.moduleSlotNumber	cardInformation	moduleSlotNumber	INTEGER	SNMP	read-only
BASIS-GENERIC-MIB.moduleTrapAlarmSeverity	cardInformation	moduleTrapAlarmSeverity	INTEGER	SNMP	read-only
BASIS-SHELF-MIB.shelfNodeName	basisShelf	shelfNodeName	DisplayString	SNMP	read-write
CISCO-WAN-AXIPOP-MIB.srmStartT1LineNum	srm3T3CnfGrpEntry	srmStartT1LineNum	INTEGER	SNMP, LocalDB	read-only
CISCO-WAN-AXIPOP-MIB.srmT3LineNum	srm3T3CnfGrpEntry	srmT3LineNum	INTEGER	SNMP, LocalDB	read-only

Table A-137 srm3t3DelSlotLink Class Attributes (continued)

CISCO-WAN-AXIPOP-MIB.srmTargetSlotLineNum	srm3T3CnfGrpEntry	srmTargetSlotLineNum	INTEGER	SNMP	read-write
CISCO-WAN-AXIPOP-MIB.srmTargetSlotNum	srm3T3CnfGrpEntry	srmTargetSlotNum	INTEGER	SNMP	read-write

srm3t3NELineLpbkEnable Class

Table A-138 srm3t3NELineLpbkEnable Class Attributes

Name	Module	Object	Type	Section	Access
BASIS-GENERIC-MIB.functionModuleType	cardInformation	functionModuleType	INTEGER	SNMP	read-only
BASIS-GENERIC-MIB.moduleSlotNumber	cardInformation	moduleSlotNumber	INTEGER	SNMP	read-only
BASIS-GENERIC-MIB.moduleTrapAlarmSeverity	cardInformation	moduleTrapAlarmSeverity	INTEGER	SNMP	read-only
BASIS-SHELF-MIB.shelfNodeName	basisShelf	shelfNodeName	DisplayString	SNMP	read-write
CISCO-MGX82XX-DSX3-MIB.cwDsx3LineType	cwDsx3ConfigEntry	cwDsx3LineType	INTEGER	SNMP	read-write
CISCO-MGX82XX-DSX3-MIB.dsx3LineAlarmState	dsx3AlarmEntry	dsx3LineAlarmState	INTEGER	SNMP	read-only
CISCO-MGX82XX-DSX3-MIB.dsx3LineNum	cwDsx3ConfigEntry	dsx3LineNum	INTEGER	SNMP, LocalDB	read-only

srm3t3NELineLpbkDisable Class

Table A-139 srm3t3NELineLpbkDisable Class Attributes

Name	Module	Object	Type	Section	Access
BASIS-GENERIC-MIB.functionModuleType	cardInformation	functionModuleType	INTEGER	SNMP	read-only
BASIS-GENERIC-MIB.moduleSlotNumber	cardInformation	moduleSlotNumber	INTEGER	SNMP	read-only
BASIS-GENERIC-MIB.moduleTrapAlarmSeverity	cardInformation	moduleTrapAlarmSeverity	INTEGER	SNMP	read-only
BASIS-SHELF-MIB.shelfNodeName	basisShelf	shelfNodeName	DisplayString	SNMP	read-write

Table A-139 srm3t3NELineLpbkDisable Class Attributes (continued)

CISCO-MGX82XX-DSX3-MIB.cwDsx3LineType	cwDsx3ConfigEntry	cwDsx3LineType	INTEGER	SNMP	read-write
CISCO-MGX82XX-DSX3-MIB.dsx3LineAlarmState	dsx3AlarmEntry	dsx3LineAlarmState	INTEGER	SNMP	read-only
CISCO-MGX82XX-DSX3-MIB.dsx3LineNum	cwDsx3ConfigEntry	dsx3LineNum	INTEGER	SNMP, LocalDB	read-only

srmLossOfClockTrap Class

Table A-140 srmLossOfClockTrap Class Attributes

Name	Module	Object	Type	Section	Access
BASIS-GENERIC-MIB.functionModuleType	cardInformation	functionModuleType	INTEGER	SNMP	read-only
BASIS-GENERIC-MIB.moduleSlotNumber	cardInformation	moduleSlotNumber	INTEGER	SNMP	read-only
BASIS-GENERIC-MIB.moduleTrapAlarmSeverity	cardInformation	moduleTrapAlarmSeverity	INTEGER	SNMP	read-only
BASIS-SHELF-MIB.shelfNodeName	basisShelf	shelfNodeName	DisplayString	SNMP	read-write
CISCO-MGX82XX-DSX3-MIB.cwDsx3LineType	cwDsx3ConfigEntry	cwDsx3LineType	INTEGER	SNMP	read-write
CISCO-MGX82XX-DSX3-MIB.dsx3LineAlarmState	dsx3AlarmEntry	dsx3LineAlarmState	INTEGER	SNMP	read-only
CISCO-MGX82XX-DSX3-MIB.dsx3LineNum	cwDsx3ConfigEntry	dsx3LineNum	INTEGER	SNMP, LocalDB	read-only

coreCardsConfigClearTrap Class

Table A-141 coreCardsConfigClearTrap Class Attributes

Name	Module	Object	Type	Section	Access
BASIS-GENERIC-MIB.functionModuleState	cardInformation	functionModuleState	INTEGER	SNMP	read-only
BASIS-GENERIC-MIB.functionModuleType	cardInformation	functionModuleType	INTEGER	SNMP	read-only
BASIS-GENERIC-MIB.moduleSlotNumber	cardInformation	moduleSlotNumber	INTEGER	SNMP	read-only

Table A-141 coreCardsConfigClearTrap Class Attributes (continued)

BASIS-GENERIC-MIB.moduleTrapAlarmSeverity	cardInformation	moduleTrapAlarmSeverity	INTEGER	SNMP	read-only
BASIS-SHELF-MIB.shelfNodeName	basisShelf	shelfNodeName	DisplayString	SNMP	read-write

cardResPartTypeChangeTrap Class

Table A-142 cardResPartTypeChangeTrap Class Attributes

Name	Module	Object	Type	Section	Access
BASIS-GENERIC-MIB.functionModuleState	cardInformation	functionModuleState	INTEGER	SNMP	read-only
BASIS-GENERIC-MIB.functionModuleType	cardInformation	functionModuleType	INTEGER	SNMP	read-only
BASIS-GENERIC-MIB.moduleSlotNumber	cardInformation	moduleSlotNumber	INTEGER	SNMP	read-only
BASIS-GENERIC-MIB.moduleTrapAlarmSeverity	cardInformation	moduleTrapAlarmSeverity	INTEGER	SNMP	read-only
BASIS-SHELF-MIB.shelfNodeName	basisShelf	shelfNodeName	DisplayString	SNMP	read-write

trapChanOamLpbkStatus Class

Table A-143 trapChanOamLpbkStatus Class Attributes

Name	Module	Object	Type	Section	Access
BASIS-GENERIC-MIB.functionModuleState	cardInformation	functionModuleState	INTEGER	SNMP	read-only
BASIS-GENERIC-MIB.functionModuleType	cardInformation	functionModuleType	INTEGER	SNMP	read-only
BASIS-GENERIC-MIB.moduleSlotNumber	cardInformation	moduleSlotNumber	INTEGER	SNMP	read-only
BASIS-GENERIC-MIB.moduleTrapAlarmSeverity	cardInformation	moduleTrapAlarmSeverity	INTEGER	SNMP	read-only
BASIS-SHELF-MIB.shelfNodeName	basisShelf	shelfNodeName	DisplayString	SNMP	read-write

dsx1StatLineAlarmTrap Class

Table A-144 dsx1StatLineAlarmTrap Class Attributes

Name	Module	Object	Type	Section	Access
BASIS-GENERIC-MIB.functionModuleType	cardInformation	functionModuleType	INTEGER	SNMP	read-only
BASIS-GENERIC-MIB.moduleSlotNumber	cardInformation	moduleSlotNumber	INTEGER	SNMP	read-only
BASIS-GENERIC-MIB.moduleTrapAlarmSeverity	cardInformation	moduleTrapAlarmSeverity	INTEGER	SNMP	read-only
BASIS-SHELF-MIB.shelfNodeName	basisShelf	shelfNodeName	DisplayString	SNMP	read-write
CISCO-MGX82XX-DSX1-MIB.lineAlarmState	dsx1AlmGrpEntry	lineAlarmState	INTEGER	SNMP	read-only
CISCO-MGX82XX-DSX1-MIB.lineNum	dsx1CnfGrpEntry	lineNum	INTEGER	SNMP, LocalDB	read-only
CISCO-MGX82XX-DSX1-MIB.lineStatisticalAlarmState	dsx1AlmGrpEntry	lineStatisticalAlarmState	INTEGER	SNMP	read-only
CISCO-MGX82XX-DSX1-MIB.lineType	dsx1CnfGrpEntry	lineType	INTEGER	SNMP	read-write

trapChanStatusSummary Class

Table A-145 trapChanStatusSummary Class Attributes

Name	Module	Object	Type	Section	Access
BASIS-GENERIC-MIB.functionModuleState	cardInformation	functionModuleState	INTEGER	SNMP	read-only
BASIS-GENERIC-MIB.functionModuleType	cardInformation	functionModuleType	INTEGER	SNMP	read-only
BASIS-GENERIC-MIB.moduleSlotNumber	cardInformation	moduleSlotNumber	INTEGER	SNMP	read-only
BASIS-GENERIC-MIB.moduleTrapAlarmSeverity	cardInformation	moduleTrapAlarmSeverity	INTEGER	SNMP	read-only
BASIS-SHELF-MIB.shelfNodeName	basisShelf	shelfNodeName	DisplayString	SNMP	read-write

trapVismIpAddressChanged Class

Table A-146 trapVismIpAddressChanged Class Attributes

Name	Module	Object	Type	Section	Access
BASIS-GENERIC-MIB.functionModuleType	cardInformation	functionModuleType	INTEGER	SNMP	read-only
BASIS-GENERIC-MIB.moduleSlotNumber	cardInformation	moduleSlotNumber	INTEGER	SNMP	read-only
BASIS-GENERIC-MIB.moduleTrapAlarmSeverity	cardInformation	moduleTrapAlarmSeverity	INTEGER	SNMP	read-only
BASIS-SHELF-MIB.shelfNodeName	basisShelf	shelfNodeName	DisplayString	SNMP	read-write
CISCO-WAN-AXIPOP-MIB.vismIpAddress	vismIpGrp	vismIpAddress	IpAddress	SNMP	read-write

trapVismChanActive Class

Table A-147 trapVismChanActive Class Attributes

Name	Module	Object	Type	Section	Access
BASIS-GENERIC-MIB.functionModuleType	cardInformation	functionModuleType	INTEGER	SNMP	read-only
BASIS-GENERIC-MIB.moduleSlotNumber	cardInformation	moduleSlotNumber	INTEGER	SNMP	read-only
BASIS-GENERIC-MIB.moduleTrapAlarmSeverity	cardInformation	moduleTrapAlarmSeverity	INTEGER	SNMP	read-only
BASIS-SHELF-MIB.shelfNodeName	basisShelf	shelfNodeName	DisplayString	SNMP	read-write
CISCO-WAN-AXIPOP-MIB.vismChanPortNum	vismChanCnfGrpEntry	vismChanPortNum	INTEGER	SNMP	read-write
CISCO-WAN-AXIPOP-MIB.vismCnfChanNum	vismChanCnfGrpEntry	vismCnfChanNum	INTEGER	SNMP	read-only
CISCO-WAN-AXIPOP-MIB.vismPortNum	vismPortCnfGrpEntry	vismPortNum	INTEGER	SNMP	read-only

trapVismChanDeleted Class

Table A-148 trapVismChanDeleted Class Attributes

Name	Module	Object	Type	Section	Access
BASIS-GENERIC-MIB.functionModuleType	cardInformation	functionModuleType	INTEGER	SNMP	read-only
BASIS-GENERIC-MIB.moduleSlotNumber	cardInformation	moduleSlotNumber	INTEGER	SNMP	read-only
BASIS-GENERIC-MIB.moduleTrapAlarmSeverity	cardInformation	moduleTrapAlarmSeverity	INTEGER	SNMP	read-only
BASIS-SHELF-MIB.shelfNodeName	basisShelf	shelfNodeName	DisplayString	SNMP	read-write
CISCO-WAN-AXIPOP-MIB.vismChanPortNum	vismChanCnfGrpEntry	vismChanPortNum	INTEGER	SNMP	read-write
CISCO-WAN-AXIPOP-MIB.vismCnfChanNum	vismChanCnfGrpEntry	vismCnfChanNum	INTEGER	SNMP	read-only
CISCO-WAN-AXIPOP-MIB.vismPortNum	vismPortCnfGrpEntry	vismPortNum	INTEGER	SNMP	read-only

trapVismPortAdded Class

Table A-149 trapVismPortAdded Class Attributes

Name	Module	Object	Type	Section	Access
BASIS-GENERIC-MIB.functionModuleType	cardInformation	functionModuleType	INTEGER	SNMP	read-only
BASIS-GENERIC-MIB.moduleSlotNumber	cardInformation	moduleSlotNumber	INTEGER	SNMP	read-only
BASIS-GENERIC-MIB.moduleTrapAlarmSeverity	cardInformation	moduleTrapAlarmSeverity	INTEGER	SNMP	read-only
BASIS-SHELF-MIB.shelfNodeName	basisShelf	shelfNodeName	DisplayString	SNMP	read-write
CISCO-WAN-AXIPOP-MIB.vismChanPortNum	vismChanCnfGrpEntry	vismChanPortNum	INTEGER	SNMP	read-write
CISCO-WAN-AXIPOP-MIB.vismCnfChanNum	vismChanCnfGrpEntry	vismCnfChanNum	INTEGER	SNMP	read-only
CISCO-WAN-AXIPOP-MIB.vismPortNum	vismPortCnfGrpEntry	vismPortNum	INTEGER	SNMP	read-only

trapVismPortActive Class

Table A-150 trapVismPortActive Class Attributes

Name	Module	Object	Type	Section	Access
BASIS-GENERIC-MIB.functionModuleType	cardInformation	functionModuleType	INTEGER	SNMP	read-only
BASIS-GENERIC-MIB.moduleSlotNumber	cardInformation	moduleSlotNumber	INTEGER	SNMP	read-only
BASIS-GENERIC-MIB.moduleTrapAlarmSeverity	cardInformation	moduleTrapAlarmSeverity	INTEGER	SNMP	read-only
BASIS-SHELF-MIB.shelfNodeName	basisShelf	shelfNodeName	DisplayString	SNMP	read-write
CISCO-WAN-AXIPOP-MIB.vismChanPortNum	vismChanCnfGrpEntry	vismChanPortNum	INTEGER	SNMP	read-write
CISCO-WAN-AXIPOP-MIB.vismCnfChanNum	vismChanCnfGrpEntry	vismCnfChanNum	INTEGER	SNMP	read-only
CISCO-WAN-AXIPOP-MIB.vismPortNum	vismPortCnfGrpEntry	vismPortNum	INTEGER	SNMP	read-only

trapVismPortFailed Class

Table A-151 trapVismPortFailed Class Attributes

Name	Module	Object	Type	Section	Access
BASIS-GENERIC-MIB.functionModuleType	cardInformation	functionModuleType	INTEGER	SNMP	read-only
BASIS-GENERIC-MIB.moduleSlotNumber	cardInformation	moduleSlotNumber	INTEGER	SNMP	read-only
BASIS-GENERIC-MIB.moduleTrapAlarmSeverity	cardInformation	moduleTrapAlarmSeverity	INTEGER	SNMP	read-only
BASIS-SHELF-MIB.shelfNodeName	basisShelf	shelfNodeName	DisplayString	SNMP	read-write

trapProtectedChanActive Class

Table A-152 *trapProtectedChanActive Class Attributes*

Name	Module	Object	Type	Section	Access
BASIS-GENERIC-MIB.functionModuleType	cardInformation	functionModuleType	INTEGER	SNMP	read-only
BASIS-GENERIC-MIB.moduleSlotNumber	cardInformation	moduleSlotNumber	INTEGER	SNMP	read-only
BASIS-GENERIC-MIB.moduleTrapAlarmSeverity	cardInformation	moduleTrapAlarmSeverity	INTEGER	SNMP	read-only
BASIS-SHELF-MIB.shelfNodeName	basisShelf	shelfNodeName	DisplayString	SNMP	read-write
CISCO-WAN-AXIPOP-MIB.vismChanPortNum	vismChanCnfGrpEntry	vismChanPortNum	INTEGER	SNMP	read-write
CISCO-WAN-AXIPOP-MIB.vismCnfChanNum	vismChanCnfGrpEntry	vismCnfChanNum	INTEGER	SNMP	read-only
CISCO-WAN-AXIPOP-MIB.vismPortNum	vismPortCnfGrpEntry	vismPortNum	INTEGER	SNMP	read-only

trapProtectedChanStandby Class

Table A-153 *trapProtectedChanStandby Class Attributes*

Name	Module	Object	Type	Section	Access
BASIS-GENERIC-MIB.functionModuleType	cardInformation	functionModuleType	INTEGER	SNMP	read-only
BASIS-GENERIC-MIB.moduleSlotNumber	cardInformation	moduleSlotNumber	INTEGER	SNMP	read-only
BASIS-GENERIC-MIB.moduleTrapAlarmSeverity	cardInformation	moduleTrapAlarmSeverity	INTEGER	SNMP	read-only
BASIS-SHELF-MIB.shelfNodeName	basisShelf	shelfNodeName	DisplayString	SNMP	read-write
CISCO-WAN-AXIPOP-MIB.vismChanPortNum	vismChanCnfGrpEntry	vismChanPortNum	INTEGER	SNMP	read-write
CISCO-WAN-AXIPOP-MIB.vismCnfChanNum	vismChanCnfGrpEntry	vismCnfChanNum	INTEGER	SNMP	read-only
CISCO-WAN-AXIPOP-MIB.vismPortNum	vismPortCnfGrpEntry	vismPortNum	INTEGER	SNMP	read-only

trapProtectedChanFailed Class

Table A-154 trapProtectedChanFailed Class Attributes

Name	Module	Object	Type	Section	Access
BASIS-GENERIC-MIB.functionModuleType	cardInformation	functionModuleType	INTEGER	SNMP	read-only
BASIS-GENERIC-MIB.moduleSlotNumber	cardInformation	moduleSlotNumber	INTEGER	SNMP	read-only
BASIS-GENERIC-MIB.moduleTrapAlarmSeverity	cardInformation	moduleTrapAlarmSeverity	INTEGER	SNMP	read-only
BASIS-SHELF-MIB.shelfNodeName	basisShelf	shelfNodeName	DisplayString	SNMP	read-write
CISCO-WAN-AXIPOP-MIB.vismChanPortNum	vismChanCnfGrpEntry	vismChanPortNum	INTEGER	SNMP	read-write
CISCO-WAN-AXIPOP-MIB.vismCnfChanNum	vismChanCnfGrpEntry	vismCnfChanNum	INTEGER	SNMP	read-only
CISCO-WAN-AXIPOP-MIB.vismPortNum	vismPortCnfGrpEntry	vismPortNum	INTEGER	SNMP	read-only

trapProtectedChanLocked Class

Table A-155 trapProtectedChanLocked Class Attributes

Name	Module	Object	Type	Section	Access
BASIS-GENERIC-MIB.functionModuleType	cardInformation	functionModuleType	INTEGER	SNMP	read-only
BASIS-GENERIC-MIB.moduleSlotNumber	cardInformation	moduleSlotNumber	INTEGER	SNMP	read-only
BASIS-GENERIC-MIB.moduleTrapAlarmSeverity	cardInformation	moduleTrapAlarmSeverity	INTEGER	SNMP	read-only
BASIS-SHELF-MIB.shelfNodeName	basisShelf	shelfNodeName	DisplayString	SNMP	read-write
CISCO-WAN-AXIPOP-MIB.vismChanPortNum	vismChanCnfGrpEntry	vismChanPortNum	INTEGER	SNMP	read-write
CISCO-WAN-AXIPOP-MIB.vismCnfChanNum	vismChanCnfGrpEntry	vismCnfChanNum	INTEGER	SNMP	read-only
CISCO-WAN-AXIPOP-MIB.vismPortNum	vismPortCnfGrpEntry	vismPortNum	INTEGER	SNMP	read-only

trapProtectedChanUnlocked Class

Table A-156 *trapProtectedChanUnlocked Class Attributes*

Name	Module	Object	Type	Section	Access
BASIS-GENERIC-MIB.functionModuleType	cardInformation	functionModuleType	INTEGER	SNMP	read-only
BASIS-GENERIC-MIB.moduleSlotNumber	cardInformation	moduleSlotNumber	INTEGER	SNMP	read-only
BASIS-GENERIC-MIB.moduleTrapAlarmSeverity	cardInformation	moduleTrapAlarmSeverity	INTEGER	SNMP	read-only
BASIS-SHELF-MIB.shelfNodeName	basisShelf	shelfNodeName	DisplayString	SNMP	read-write
CISCO-WAN-AXIPOP-MIB.vismChanPortNum	vismChanCnfGrpEntry	vismChanPortNum	INTEGER	SNMP	read-write
CISCO-WAN-AXIPOP-MIB.vismCnfChanNum	vismChanCnfGrpEntry	vismCnfChanNum	INTEGER	SNMP	read-only
CISCO-WAN-AXIPOP-MIB.vismPortNum	vismPortCnfGrpEntry	vismPortNum	INTEGER	SNMP	read-only

trapVismCasVariantAdded Class

Table A-157 *trapVismCasVariantAdded Class Attributes*

Name	Module	Object	Type	Section	Access
BASIS-GENERIC-MIB.functionModuleType	cardInformation	functionModuleType	INTEGER	SNMP	read-only
BASIS-GENERIC-MIB.moduleSlotNumber	cardInformation	moduleSlotNumber	INTEGER	SNMP	read-only
BASIS-GENERIC-MIB.moduleTrapAlarmSeverity	cardInformation	moduleTrapAlarmSeverity	INTEGER	SNMP	read-only
BASIS-SHELF-MIB.shelfNodeName	basisShelf	shelfNodeName	DisplayString	SNMP	read-write

trapVismCasVariantDeleted Class

Table A-158 trapVismCasVariantDeleted Class Attributes

Name	Module	Object	Type	Section	Access
BASIS-GENERIC-MIB.functionModuleType	cardInformation	functionModuleType	INTEGER	SNMP	read-only
BASIS-GENERIC-MIB.moduleSlotNumber	cardInformation	moduleSlotNumber	INTEGER	SNMP	read-only
BASIS-GENERIC-MIB.moduleTrapAlarmSeverity	cardInformation	moduleTrapAlarmSeverity	INTEGER	SNMP	read-only
BASIS-SHELF-MIB.shelfNodeName	basisShelf	shelfNodeName	DisplayString	SNMP	read-write

trapVismCasVariantConfigured Class

Table A-159 trapVismCasVariantConfigured Class Attributes

Name	Module	Object	Type	Section	Access
BASIS-GENERIC-MIB.functionModuleType	cardInformation	functionModuleType	INTEGER	SNMP	read-only
BASIS-GENERIC-MIB.moduleSlotNumber	cardInformation	moduleSlotNumber	INTEGER	SNMP	read-only
BASIS-GENERIC-MIB.moduleTrapAlarmSeverity	cardInformation	moduleTrapAlarmSeverity	INTEGER	SNMP	read-only
BASIS-SHELF-MIB.shelfNodeName	basisShelf	shelfNodeName	DisplayString	SNMP	read-write

trapVismCasVariantNotConfigured Class

Table A-160 trapVismCasVariantNotConfigured Class Attributes

Name	Module	Object	Type	Section	Access
BASIS-GENERIC-MIB.functionModuleType	cardInformation	functionModuleType	INTEGER	SNMP	read-only
BASIS-GENERIC-MIB.moduleSlotNumber	cardInformation	moduleSlotNumber	INTEGER	SNMP	read-only

Table A-160 trapVismCasVariantNotConfigured Class Attributes (continued)

BASIS-GENERIC-MIB.moduleTrapAlarmSeverity	cardInformation	moduleTrapAlarmSeverity	INTEGER	SNMP	read-only
BASIS-SHELF-MIB.shelfNodeName	basisShelf	shelfNodeName	DisplayString	SNMP	read-write

trapVismScalarChange Class

Table A-161 trapVismScalarChange Class Attributes

Name	Module	Object	Type	Section	Access
BASIS-GENERIC-MIB.functionModuleType	cardInformation	functionModuleType	INTEGER	SNMP	read-only
BASIS-GENERIC-MIB.moduleSlotNumber	cardInformation	moduleSlotNumber	INTEGER	SNMP	read-only
BASIS-GENERIC-MIB.moduleTrapAlarmSeverity	cardInformation	moduleTrapAlarmSeverity	INTEGER	SNMP	read-only
BASIS-SHELF-MIB.shelfNodeName	basisShelf	shelfNodeName	DisplayString	SNMP	read-write

trapVism Change Class

Table A-162 trapVism Change Class Attributes

Name	Module	Object	Type	Section	Access
BASIS-GENERIC-MIB.functionModuleType	cardInformation	functionModuleType	INTEGER	SNMP	read-only
BASIS-GENERIC-MIB.moduleSlotNumber	cardInformation	moduleSlotNumber	INTEGER	SNMP	read-only
BASIS-GENERIC-MIB.moduleTrapAlarmSeverity	cardInformation	moduleTrapAlarmSeverity	INTEGER	SNMP	read-only
BASIS-SHELF-MIB.shelfNodeName	basisShelf	shelfNodeName	DisplayString	SNMP	read-write

trapVismCodecTemplateChanged Class

Table A-163 trapVismCodecTemplateChanged Class Attributes

Name	Module	Object	Type	Section	Access
BASIS-GENERIC-MIB.functionModuleType	cardInformation	functionModuleType	INTEGER	SNMP	read-only
BASIS-GENERIC-MIB.moduleSlotNumber	cardInformation	moduleSlotNumber	INTEGER	SNMP	read-only
BASIS-GENERIC-MIB.moduleTrapAlarmSeverity	cardInformation	moduleTrapAlarmSeverity	INTEGER	SNMP	read-only
BASIS-SHELF-MIB.shelfNodeName	basisShelf	shelfNodeName	DisplayString	SNMP	read-write

trapVismModeChanged Class

Table A-164 trapVismModeChanged Class Attributes

Name	Module	Object	Type	Section	Access
BASIS-GENERIC-MIB.functionModuleType	cardInformation	functionModuleType	INTEGER	SNMP	read-only
BASIS-GENERIC-MIB.moduleSlotNumber	cardInformation	moduleSlotNumber	INTEGER	SNMP	read-only
BASIS-GENERIC-MIB.moduleTrapAlarmSeverity	cardInformation	moduleTrapAlarmSeverity	INTEGER	SNMP	read-only
BASIS-SHELF-MIB.shelfNodeName	basisShelf	shelfNodeName	DisplayString	SNMP	read-write

trapVismAal2CidAdded Class

Table A-165 trapVismAal2CidAdded Class Attributes

Name	Module	Object	Type	Section	Access
BASIS-GENERIC-MIB.functionModuleType	cardInformation	functionModuleType	INTEGER	SNMP	read-only
BASIS-GENERIC-MIB.moduleSlotNumber	cardInformation	moduleSlotNumber	INTEGER	SNMP	read-only

Table A-165 trapVismAal2CidAdded Class Attributes (continued)

BASIS-GENERIC-MIB.moduleTrapAlarmSeverity	cardInformation	moduleTrapAlarmSeverity	INTEGER	SNMP	read-only
BASIS-SHELF-MIB.shelfNodeName	basisShelf	shelfNodeName	DisplayString	SNMP	read-write

trapVismAal2CidDeleted Class

Table A-166 trapVismAal2CidDeleted Class Attributes

Name	Module	Object	Type	Section	Access
BASIS-GENERIC-MIB.functionModuleType	cardInformation	functionModuleType	INTEGER	SNMP	read-only
BASIS-GENERIC-MIB.moduleSlotNumber	cardInformation	moduleSlotNumber	INTEGER	SNMP	read-only
BASIS-GENERIC-MIB.moduleTrapAlarmSeverity	cardInformation	moduleTrapAlarmSeverity	INTEGER	SNMP	read-only
BASIS-SHELF-MIB.shelfNodeName	basisShelf	shelfNodeName	DisplayString	SNMP	read-write

trapVismHdlcChanAdded Class

Table A-167 trapVismHdlcChanAdded Class Attributes

Name	Module	Object	Type	Section	Access
BASIS-GENERIC-MIB.functionModuleType	cardInformation	functionModuleType	INTEGER	SNMP	read-only
BASIS-GENERIC-MIB.moduleSlotNumber	cardInformation	moduleSlotNumber	INTEGER	SNMP	read-only
BASIS-GENERIC-MIB.moduleTrapAlarmSeverity	cardInformation	moduleTrapAlarmSeverity	INTEGER	SNMP	read-only
BASIS-SHELF-MIB.shelfNodeName	basisShelf	shelfNodeName	DisplayString	SNMP	read-write

trapVismHdlcChanDeleted Class

Table A-168 trapVismHdlcChanDeleted Class Attributes

Name	Module	Object	Type	Section	Access
BASIS-GENERIC-MIB.functionModuleType	cardInformation	functionModuleType	INTEGER	SNMP	read-only
BASIS-GENERIC-MIB.moduleSlotNumber	cardInformation	moduleSlotNumber	INTEGER	SNMP	read-only
BASIS-GENERIC-MIB.moduleTrapAlarmSeverity	cardInformation	moduleTrapAlarmSeverity	INTEGER	SNMP	read-only
BASIS-SHELF-MIB.shelfNodeName	basisShelf	shelfNodeName	DisplayString	SNMP	read-write

trapVismPortDeleted Class

Table A-169 trapVismPortDeleted Class Attributes

Name	Module	Object	Type	Section	Access
BASIS-GENERIC-MIB.functionModuleType	cardInformation	functionModuleType	INTEGER	SNMP	read-only
BASIS-GENERIC-MIB.moduleSlotNumber	cardInformation	moduleSlotNumber	INTEGER	SNMP	read-only
BASIS-GENERIC-MIB.moduleTrapAlarmSeverity	cardInformation	moduleTrapAlarmSeverity	INTEGER	SNMP	read-only
BASIS-SHELF-MIB.shelfNodeName	basisShelf	shelfNodeName	DisplayString	SNMP	read-write

trapVismChanAdded Class

Table A-170 trapVismChanAdded Class Attributes

Name	Module	Object	Type	Section	Access
BASIS-GENERIC-MIB.functionModuleType	cardInformation	functionModuleType	INTEGER	SNMP	read-only
BASIS-GENERIC-MIB.moduleSlotNumber	cardInformation	moduleSlotNumber	INTEGER	SNMP	read-only

Table A-170 trapVismChanAdded Class Attributes (continued)

BASIS-GENERIC-MIB.moduleTrapAlarmSeverity	cardInformation	moduleTrapAlarmSeverity	INTEGER	SNMP	read-only
BASIS-SHELF-MIB.shelfNodeName	basisShelf	shelfNodeName	DisplayString	SNMP	read-write

trapVismChanFailed Class

Table A-171 trapVismChanFailed Class Attributes

Name	Module	Object	Type	Section	Access
BASIS-GENERIC-MIB.functionModuleType	cardInformation	functionModuleType	INTEGER	SNMP	read-only
BASIS-GENERIC-MIB.moduleSlotNumber	cardInformation	moduleSlotNumber	INTEGER	SNMP	read-only
BASIS-GENERIC-MIB.moduleTrapAlarmSeverity	cardInformation	moduleTrapAlarmSeverity	INTEGER	SNMP	read-only
BASIS-SHELF-MIB.shelfNodeName	basisShelf	shelfNodeName	DisplayString	SNMP	read-write

trapVismConDown Class

Table A-172 trapVismConDown Class Attributes

Name	Module	Object	Type	Section	Access
BASIS-GENERIC-MIB.functionModuleType	cardInformation	functionModuleType	INTEGER	SNMP	read-only
BASIS-GENERIC-MIB.moduleSlotNumber	cardInformation	moduleSlotNumber	INTEGER	SNMP	read-only
BASIS-GENERIC-MIB.moduleTrapAlarmSeverity	cardInformation	moduleTrapAlarmSeverity	INTEGER	SNMP	read-only
BASIS-SHELF-MIB.shelfNodeName	basisShelf	shelfNodeName	DisplayString	SNMP	read-write

trapVismConUp Class

Table A-173 trapVismConUp Class Attributes

Name	Module	Object	Type	Section	Access
BASIS-GENERIC-MIB.functionModuleType	cardInformation	functionModuleType	INTEGER	SNMP	read-only
BASIS-GENERIC-MIB.moduleSlotNumber	cardInformation	moduleSlotNumber	INTEGER	SNMP	read-only
BASIS-GENERIC-MIB.moduleTrapAlarmSeverity	cardInformation	moduleTrapAlarmSeverity	INTEGER	SNMP	read-only
BASIS-SHELF-MIB.shelfNodeName	basisShelf	shelfNodeName	DisplayString	SNMP	read-write

trapVismChanReroute Class

Table A-174 trapVismChanReroute Class Attributes

Name	Module	Object	Type	Section	Access
BASIS-GENERIC-MIB.functionModuleType	cardInformation	functionModuleType	INTEGER	SNMP	read-only
BASIS-GENERIC-MIB.moduleSlotNumber	cardInformation	moduleSlotNumber	INTEGER	SNMP	read-only
BASIS-GENERIC-MIB.moduleTrapAlarmSeverity	cardInformation	moduleTrapAlarmSeverity	INTEGER	SNMP	read-only
BASIS-SHELF-MIB.shelfNodeName	basisShelf	shelfNodeName	DisplayString	SNMP	read-write

trapVismAal2Muxing Class

Table A-175 trapVismAal2Muxing Class Attributes

Name	Module	Object	Type	Section	Access
BASIS-GENERIC-MIB.functionModuleType	cardInformation	functionModuleType	INTEGER	SNMP	read-only
BASIS-GENERIC-MIB.moduleSlotNumber	cardInformation	moduleSlotNumber	INTEGER	SNMP	read-only

Table A-175 trapVismAal2Muxing Class Attributes (continued)

BASIS-GENERIC-MIB.moduleTrapAlarmSeverity	cardInformation	moduleTrapAlarmSeverity	INTEGER	SNMP	read-only
BASIS-SHELF-MIB.shelfNodeName	basisShelf	shelfNodeName	DisplayString	SNMP	read-write

trapVismCidState Class

Table A-176 trapVismCidState Class Attributes

Name	Module	Object	Type	Section	Access
BASIS-GENERIC-MIB.functionModuleType	cardInformation	functionModuleType	INTEGER	SNMP	read-only
BASIS-GENERIC-MIB.moduleSlotNumber	cardInformation	moduleSlotNumber	INTEGER	SNMP	read-only
BASIS-GENERIC-MIB.moduleTrapAlarmSeverity	cardInformation	moduleTrapAlarmSeverity	INTEGER	SNMP	read-only
BASIS-SHELF-MIB.shelfNodeName	basisShelf	shelfNodeName	DisplayString	SNMP	read-write

trapNetworkCacConfigState Class

Table A-177 trapNetworkCacConfigState Class Attributes

Name	Module	Object	Type	Section	Access
BASIS-GENERIC-MIB.functionModuleType	cardInformation	functionModuleType	INTEGER	SNMP	read-only
BASIS-GENERIC-MIB.moduleSlotNumber	cardInformation	moduleSlotNumber	INTEGER	SNMP	read-only
BASIS-GENERIC-MIB.moduleTrapAlarmSeverity	cardInformation	moduleTrapAlarmSeverity	INTEGER	SNMP	read-only
BASIS-SHELF-MIB.shelfNodeName	basisShelf	shelfNodeName	DisplayString	SNMP	read-write

trapVismFeatureChanged Class

Table A-178 trapVismFeatureChanged Class Attributes

Name	Module	Object	Type	Section	Access
BASIS-GENERIC-MIB.functionModuleType	cardInformation	functionModuleType	INTEGER	SNMP	read-only
BASIS-GENERIC-MIB.moduleSlotNumber	cardInformation	moduleSlotNumber	INTEGER	SNMP	read-only
BASIS-GENERIC-MIB.moduleTrapAlarmSeverity	cardInformation	moduleTrapAlarmSeverity	INTEGER	SNMP	read-only
BASIS-SHELF-MIB.shelfNodeName	basisShelf	shelfNodeName	DisplayString	SNMP	read-write

shelfPowerOverLoadTrap Class

Table A-179 shelfPowerOverLoadTrap Class Attributes

Name	Module	Object	Type	Section	Access
BASIS-GENERIC-MIB.functionModuleType	cardInformation	functionModuleType	INTEGER	SNMP	read-only
BASIS-GENERIC-MIB.moduleSlotNumber	cardInformation	moduleSlotNumber	INTEGER	SNMP	read-only
BASIS-GENERIC-MIB.moduleTrapAlarmSeverity	cardInformation	moduleTrapAlarmSeverity	INTEGER	SNMP	read-only
BASIS-SHELF-MIB.shelfNodeName	basisShelf	shelfNodeName	DisplayString	SNMP	read-write

pxmCurClkSourceTrap Class

Table A-180 pxmCurClkSourceTrap Class Attributes

Name	Module	Object	Type	Section	Access
BASIS-GENERIC-MIB.functionModuleType	cardInformation	functionModuleType	INTEGER	SNMP	read-only
BASIS-GENERIC-MIB.moduleSlotNumber	cardInformation	moduleSlotNumber	INTEGER	SNMP	read-only

Table A-180 *pxmCurCikSourceTrap Class Attributes (continued)*

BASIS-GENERIC-MIB.moduleTrapAlarmSeverity	cardInformation	moduleTrapAlarmSeverity	INTEGER	SNMP	read-only
BASIS-SHELF-MIB.shelfNodeName	basisShelf	shelfNodeName	DisplayString	SNMP	read-write

atmLineCellFormatTrap Class

Table A-181 *atmLineCellFormatTrap Class Attributes*

Name	Module	Object	Type	Section	Access
BASIS-GENERIC-MIB.functionModuleType	cardInformation	functionModuleType	INTEGER	SNMP	read-only
BASIS-GENERIC-MIB.moduleSlotNumber	cardInformation	moduleSlotNumber	INTEGER	SNMP	read-only
BASIS-GENERIC-MIB.moduleTrapAlarmSeverity	cardInformation	moduleTrapAlarmSeverity	INTEGER	SNMP	read-only
BASIS-SHELF-MIB.shelfNodeName	basisShelf	shelfNodeName	DisplayString	SNMP	read-write

secLineModuleRemovedTrap Class

Table A-182 *secLineModuleRemovedTrap Class Attributes*

Name	Module	Object	Type	Section	Access
BASIS-GENERIC-MIB.functionModuleType	cardInformation	functionModuleType	INTEGER	SNMP	read-only
BASIS-GENERIC-MIB.moduleSlotNumber	cardInformation	moduleSlotNumber	INTEGER	SNMP	read-only
BASIS-GENERIC-MIB.moduleTrapAlarmSeverity	cardInformation	moduleTrapAlarmSeverity	INTEGER	SNMP	read-only
BASIS-SHELF-MIB.shelfNodeName	basisShelf	shelfNodeName	DisplayString	SNMP	read-write

secLineModuleInsertedTrap Class

Table A-183 *secLineModuleInsertedTrap Class Attributes*

Name	Module	Object	Type	Section	Access
BASIS-GENERIC-MIB.functionModuleType	cardInformation	functionModuleType	INTEGER	SNMP	read-only
BASIS-GENERIC-MIB.moduleSlotNumber	cardInformation	moduleSlotNumber	INTEGER	SNMP	read-only
BASIS-GENERIC-MIB.moduleTrapAlarmSeverity	cardInformation	moduleTrapAlarmSeverity	INTEGER	SNMP	read-only
BASIS-SHELF-MIB.shelfNodeName	basisShelf	shelfNodeName	DisplayString	SNMP	read-write

secLineModuleMismatchTrap Class

Table A-184 *secLineModuleMismatchTrap Class Attributes*

Name	Module	Object	Type	Section	Access
BASIS-GENERIC-MIB.functionModuleType	cardInformation	functionModuleType	INTEGER	SNMP	read-only
BASIS-GENERIC-MIB.moduleSlotNumber	cardInformation	moduleSlotNumber	INTEGER	SNMP	read-only
BASIS-GENERIC-MIB.moduleTrapAlarmSeverity	cardInformation	moduleTrapAlarmSeverity	INTEGER	SNMP	read-only
BASIS-SHELF-MIB.shelfNodeName	basisShelf	shelfNodeName	DisplayString	SNMP	read-write

pxmApsDeactivateTrap Class

Table A-185 *pxmApsDeactivateTrap Class Attributes*

Name	Module	Object	Type	Section	Access
BASIS-GENERIC-MIB.functionModuleType	cardInformation	functionModuleType	INTEGER	SNMP	read-only
BASIS-GENERIC-MIB.moduleSlotNumber	cardInformation	moduleSlotNumber	INTEGER	SNMP	read-only

Table A-185 pxmApsDeactivateTrap Class Attributes (continued)

BASIS-GENERIC-MIB.moduleTrapAlarmSeverity	cardInformation	moduleTrapAlarmSeverity	INTEGER	SNMP	read-only
BASIS-SHELF-MIB.shelfNodeName	basisShelf	shelfNodeName	DisplayString	SNMP	read-write

pxmApsActivateTrap Class

Table A-186 pxmApsActivateTrap Class Attributes

Name	Module	Object	Type	Section	Access
BASIS-GENERIC-MIB.functionModuleType	cardInformation	functionModuleType	INTEGER	SNMP	read-only
BASIS-GENERIC-MIB.moduleSlotNumber	cardInformation	moduleSlotNumber	INTEGER	SNMP	read-only
BASIS-GENERIC-MIB.moduleTrapAlarmSeverity	cardInformation	moduleTrapAlarmSeverity	INTEGER	SNMP	read-only
BASIS-SHELF-MIB.shelfNodeName	basisShelf	shelfNodeName	DisplayString	SNMP	read-write

pxmApsCardFailureTrap Class

Table A-187 pxmApsCardFailureTrap Class Attributes

Name	Module	Object	Type	Section	Access
BASIS-GENERIC-MIB.functionModuleType	cardInformation	functionModuleType	INTEGER	SNMP	read-only
BASIS-GENERIC-MIB.moduleSlotNumber	cardInformation	moduleSlotNumber	INTEGER	SNMP	read-only
BASIS-GENERIC-MIB.moduleTrapAlarmSeverity	cardInformation	moduleTrapAlarmSeverity	INTEGER	SNMP	read-only
BASIS-SHELF-MIB.shelfNodeName	basisShelf	shelfNodeName	DisplayString	SNMP	read-write

pxmApsLineFailureTrap Class

Table A-188 pxmApsLineFailureTrap Class Attributes

Name	Module	Object	Type	Section	Access
BASIS-GENERIC-MIB.functionModuleType	cardInformation	functionModuleType	INTEGER	SNMP	read-only
BASIS-GENERIC-MIB.moduleSlotNumber	cardInformation	moduleSlotNumber	INTEGER	SNMP	read-only
BASIS-GENERIC-MIB.moduleTrapAlarmSeverity	cardInformation	moduleTrapAlarmSeverity	INTEGER	SNMP	read-only
BASIS-SHELF-MIB.shelfNodeName	basisShelf	shelfNodeName	DisplayString	SNMP	read-write

pxmApsLineSwitchTrap Class

Table A-189 pxmApsLineSwitchTrap Class Attributes

Name	Module	Object	Type	Section	Access
BASIS-GENERIC-MIB.functionModuleType	cardInformation	functionModuleType	INTEGER	SNMP	read-only
BASIS-GENERIC-MIB.moduleSlotNumber	cardInformation	moduleSlotNumber	INTEGER	SNMP	read-only
BASIS-GENERIC-MIB.moduleTrapAlarmSeverity	cardInformation	moduleTrapAlarmSeverity	INTEGER	SNMP	read-only
BASIS-SHELF-MIB.shelfNodeName	basisShelf	shelfNodeName	DisplayString	SNMP	read-write

pxmApsLineSwitchFailureTrap Class

Table A-190 pxmApsLineSwitchFailureTrap Class Attributes

Name	Module	Object	Type	Section	Access
BASIS-GENERIC-MIB.functionModuleType	cardInformation	functionModuleType	INTEGER	SNMP	read-only
BASIS-GENERIC-MIB.moduleSlotNumber	cardInformation	moduleSlotNumber	INTEGER	SNMP	read-only

Table A-190 *pxmApsLineSwitchFailureTrap Class Attributes (continued)*

BASIS-GENERIC-MIB.moduleTrapAlarmSeverity	cardInformation	moduleTrapAlarmSeverity	INTEGER	SNMP	read-only
BASIS-SHELF-MIB.shelfNodeName	basisShelf	shelfNodeName	DisplayString	SNMP	read-write

pxmApsStandbyLineFailureTrap Class

Table A-191 *pxmApsStandbyLineFailureTrap Class Attributes*

Name	Module	Object	Type	Section	Access
BASIS-GENERIC-MIB.functionModuleType	cardInformation	functionModuleType	INTEGER	SNMP	read-only
BASIS-GENERIC-MIB.moduleSlotNumber	cardInformation	moduleSlotNumber	INTEGER	SNMP	read-only
BASIS-GENERIC-MIB.moduleTrapAlarmSeverity	cardInformation	moduleTrapAlarmSeverity	INTEGER	SNMP	read-only
BASIS-SHELF-MIB.shelfNodeName	basisShelf	shelfNodeName	DisplayString	SNMP	read-write

pxmApsCardClearTrap Class

Table A-192 *pxmApsCardClearTrap Class Attributes*

Name	Module	Object	Type	Section	Access
BASIS-GENERIC-MIB.functionModuleType	cardInformation	functionModuleType	INTEGER	SNMP	read-only
BASIS-GENERIC-MIB.moduleSlotNumber	cardInformation	moduleSlotNumber	INTEGER	SNMP	read-only
BASIS-GENERIC-MIB.moduleTrapAlarmSeverity	cardInformation	moduleTrapAlarmSeverity	INTEGER	SNMP	read-only
BASIS-SHELF-MIB.shelfNodeName	basisShelf	shelfNodeName	DisplayString	SNMP	read-write

pxmApsLineClearTrap Class

Table A-193 *pxmApsLineClearTrap Class Attributes*

Name	Module	Object	Type	Section	Access
BASIS-GENERIC-MIB.functionModuleType	cardInformation	functionModuleType	INTEGER	SNMP	read-only
BASIS-GENERIC-MIB.moduleSlotNumber	cardInformation	moduleSlotNumber	INTEGER	SNMP	read-only
BASIS-GENERIC-MIB.moduleTrapAlarmSeverity	cardInformation	moduleTrapAlarmSeverity	INTEGER	SNMP	read-only
BASIS-SHELF-MIB.shelfNodeName	basisShelf	shelfNodeName	DisplayString	SNMP	read-write

pxmApsStandbyLineClearTrap Class

Table A-194 *pxmApsStandbyLineClearTrap Class Attributes*

Name	Module	Object	Type	Section	Access
BASIS-GENERIC-MIB.functionModuleType	cardInformation	functionModuleType	INTEGER	SNMP	read-only
BASIS-GENERIC-MIB.moduleSlotNumber	cardInformation	moduleSlotNumber	INTEGER	SNMP	read-only
BASIS-GENERIC-MIB.moduleTrapAlarmSeverity	cardInformation	moduleTrapAlarmSeverity	INTEGER	SNMP	read-only
BASIS-SHELF-MIB.shelfNodeName	basisShelf	shelfNodeName	DisplayString	SNMP	read-write

pxmApsConfigChangeTrap Class

Table A-195 *pxmApsConfigChangeTrap Class Attributes*

Name	Module	Object	Type	Section	Access
BASIS-GENERIC-MIB.functionModuleType	cardInformation	functionModuleType	INTEGER	SNMP	read-only
BASIS-GENERIC-MIB.moduleSlotNumber	cardInformation	moduleSlotNumber	INTEGER	SNMP	read-only

Table A-195 *pxmApsConfigChangeTrap Class Attributes (continued)*

BASIS-GENERIC-MIB.moduleTrapAlarmSeverity	cardInformation	moduleTrapAlarmSeverity	INTEGER	SNMP	read-only
BASIS-SHELF-MIB.shelfNodeName	basisShelf	shelfNodeName	DisplayString	SNMP	read-write

pxmApsModeMismatchTrap Class

Table A-196 *pxmApsModeMismatchTrap Class Attributes*

Name	Module	Object	Type	Section	Access
BASIS-GENERIC-MIB.functionModuleType	cardInformation	functionModuleType	INTEGER	SNMP	read-only
BASIS-GENERIC-MIB.moduleSlotNumber	cardInformation	moduleSlotNumber	INTEGER	SNMP	read-only
BASIS-GENERIC-MIB.moduleTrapAlarmSeverity	cardInformation	moduleTrapAlarmSeverity	INTEGER	SNMP	read-only
BASIS-SHELF-MIB.shelfNodeName	basisShelf	shelfNodeName	DisplayString	SNMP	read-write

pxmApsModeMismatchClearTrap Class

Table A-197 *pxmApsModeMismatchClearTrap Class Attributes*

Name	Module	Object	Type	Section	Access
BASIS-GENERIC-MIB.functionModuleType	cardInformation	functionModuleType	INTEGER	SNMP	read-only
BASIS-GENERIC-MIB.moduleSlotNumber	cardInformation	moduleSlotNumber	INTEGER	SNMP	read-only
BASIS-GENERIC-MIB.moduleTrapAlarmSeverity	cardInformation	moduleTrapAlarmSeverity	INTEGER	SNMP	read-only
BASIS-SHELF-MIB.shelfNodeName	basisShelf	shelfNodeName	DisplayString	SNMP	read-write

sonetXmtClkSrcChangeTrap Class

Table A-198 sonetXmtClkSrcChangeTrap Class Attributes

Name	Module	Object	Type	Section	Access
BASIS-GENERIC-MIB.functionModuleType	cardInformation	functionModuleType	INTEGER	SNMP	read-only
BASIS-GENERIC-MIB.moduleSlotNumber	cardInformation	moduleSlotNumber	INTEGER	SNMP	read-only
BASIS-GENERIC-MIB.moduleTrapAlarmSeverity	cardInformation	moduleTrapAlarmSeverity	INTEGER	SNMP	read-only
BASIS-SHELF-MIB.shelfNodeName	basisShelf	shelfNodeName	DisplayString	SNMP	read-write

sonetXmtClkSrcLossTrap Class

Table A-199 sonetXmtClkSrcLossTrap Class Attributes

Name	Module	Object	Type	Section	Access
BASIS-GENERIC-MIB.functionModuleType	cardInformation	functionModuleType	INTEGER	SNMP	read-only
BASIS-GENERIC-MIB.moduleSlotNumber	cardInformation	moduleSlotNumber	INTEGER	SNMP	read-only
BASIS-GENERIC-MIB.moduleTrapAlarmSeverity	cardInformation	moduleTrapAlarmSeverity	INTEGER	SNMP	read-only
BASIS-SHELF-MIB.shelfNodeName	basisShelf	shelfNodeName	DisplayString	SNMP	read-write

srmeAddLink Class

Table A-200 srmeAddLink Class Attributes

Name	Module	Object	Type	Section	Access
BASIS-GENERIC-MIB.functionModuleType	cardInformation	functionModuleType	INTEGER	SNMP	read-only
BASIS-GENERIC-MIB.moduleSlotNumber	cardInformation	moduleSlotNumber	INTEGER	SNMP	read-only

Table A-200 *srmeAddLink Class Attributes (continued)*

BASIS-GENERIC-MIB.moduleTrapAlarmSeverity	cardInformation	moduleTrapAlarmSeverity	INTEGER	SNMP	read-only
BASIS-SHELF-MIB.shelfNodeName	basisShelf	shelfNodeName	DisplayString	SNMP	read-write

srmeDelLink Class

Table A-201 *srmeDelLink Class Attributes*

Name	Module	Object	Type	Section	Access
BASIS-GENERIC-MIB.functionModuleType	cardInformation	functionModuleType	INTEGER	SNMP	read-only
BASIS-GENERIC-MIB.moduleSlotNumber	cardInformation	moduleSlotNumber	INTEGER	SNMP	read-only
BASIS-GENERIC-MIB.moduleTrapAlarmSeverity	cardInformation	moduleTrapAlarmSeverity	INTEGER	SNMP	read-only
BASIS-SHELF-MIB.shelfNodeName	basisShelf	shelfNodeName	DisplayString	SNMP	read-write

srmeDelSlotLink Class

Table A-202 *srmeDelSlotLink Class Attributes*

Name	Module	Object	Type	Section	Access
BASIS-GENERIC-MIB.functionModuleType	cardInformation	functionModuleType	INTEGER	SNMP	read-only
BASIS-GENERIC-MIB.moduleSlotNumber	cardInformation	moduleSlotNumber	INTEGER	SNMP	read-only
BASIS-GENERIC-MIB.moduleTrapAlarmSeverity	cardInformation	moduleTrapAlarmSeverity	INTEGER	SNMP	read-only
BASIS-SHELF-MIB.shelfNodeName	basisShelf	shelfNodeName	DisplayString	SNMP	read-write

srmeCnfLink Class

Table A-203 *srmeCnfLink Class Attributes*

Name	Module	Object	Type	Section	Access
BASIS-GENERIC-MIB.functionModuleType	cardInformation	functionModuleType	INTEGER	SNMP	read-only
BASIS-GENERIC-MIB.moduleSlotNumber	cardInformation	moduleSlotNumber	INTEGER	SNMP	read-only
BASIS-GENERIC-MIB.moduleTrapAlarmSeverity	cardInformation	moduleTrapAlarmSeverity	INTEGER	SNMP	read-only
BASIS-SHELF-MIB.shelfNodeName	basisShelf	shelfNodeName	DisplayString	SNMP	read-write

functionModuleHoldTrap Class

Table A-204 *functionModuleHoldTrap Class Attributes*

Name	Module	Object	Type	Section	Access
BASIS-GENERIC-MIB.functionModuleType	cardInformation	functionModuleType	INTEGER	SNMP	read-only
BASIS-GENERIC-MIB.moduleSlotNumber	cardInformation	moduleSlotNumber	INTEGER	SNMP	read-only
BASIS-GENERIC-MIB.moduleTrapAlarmSeverity	cardInformation	moduleTrapAlarmSeverity	INTEGER	SNMP	read-only
BASIS-SHELF-MIB.shelfNodeName	basisShelf	shelfNodeName	DisplayString	SNMP	read-write

trapBblfAdded Class

Table A-205 *trapBblfAdded Class Attributes*

Name	Module	Object	Type	Section	Access
BASIS-GENERIC-MIB.functionModuleType	cardInformation	functionModuleType	INTEGER	SNMP	read-only
BASIS-GENERIC-MIB.moduleSlotNumber	cardInformation	moduleSlotNumber	INTEGER	SNMP	read-only

Table A-205 trapBblfAdded Class Attributes (continued)

BASIS-GENERIC-MIB.moduleTrapAlarmSeverity	cardInformation	moduleTrapAlarmSeverity	INTEGER	SNMP	read-only
BASIS-SHELF-MIB.shelfNodeName	basisShelf	shelfNodeName	DisplayString	SNMP	read-write

trapBblfActive Class

Table A-206 trapBblfActive Class Attributes

Name	Module	Object	Type	Section	Access
BASIS-GENERIC-MIB.functionModuleType	cardInformation	functionModuleType	INTEGER	SNMP	read-only
BASIS-GENERIC-MIB.moduleSlotNumber	cardInformation	moduleSlotNumber	INTEGER	SNMP	read-only
BASIS-GENERIC-MIB.moduleTrapAlarmSeverity	cardInformation	moduleTrapAlarmSeverity	INTEGER	SNMP	read-only
BASIS-SHELF-MIB.shelfNodeName	basisShelf	shelfNodeName	DisplayString	SNMP	read-write

trapBblfDelete Class

Table A-207 trapBblfDelete Class Attributes

Name	Module	Object	Type	Section	Access
BASIS-GENERIC-MIB.functionModuleType	cardInformation	functionModuleType	INTEGER	SNMP	read-only
BASIS-GENERIC-MIB.moduleSlotNumber	cardInformation	moduleSlotNumber	INTEGER	SNMP	read-only
BASIS-GENERIC-MIB.moduleTrapAlarmSeverity	cardInformation	moduleTrapAlarmSeverity	INTEGER	SNMP	read-only
BASIS-SHELF-MIB.shelfNodeName	basisShelf	shelfNodeName	DisplayString	SNMP	read-write

trapBblfFailed Class

Table A-208 trapBblfFailed Class Attributes

Name	Module	Object	Type	Section	Access
BASIS-GENERIC-MIB.functionModuleType	cardInformation	functionModuleType	INTEGER	SNMP	read-only
BASIS-GENERIC-MIB.moduleSlotNumber	cardInformation	moduleSlotNumber	INTEGER	SNMP	read-only
BASIS-GENERIC-MIB.moduleTrapAlarmSeverity	cardInformation	moduleTrapAlarmSeverity	INTEGER	SNMP	read-only
BASIS-SHELF-MIB.shelfNodeName	basisShelf	shelfNodeName	DisplayString	SNMP	read-write

trapBblfCnfChange Class

Table A-209 trapBblfCnfChange Class Attributes

Name	Module	Object	Type	Section	Access
BASIS-GENERIC-MIB.functionModuleType	cardInformation	functionModuleType	INTEGER	SNMP	read-only
BASIS-GENERIC-MIB.moduleSlotNumber	cardInformation	moduleSlotNumber	INTEGER	SNMP	read-only
BASIS-GENERIC-MIB.moduleTrapAlarmSeverity	cardInformation	moduleTrapAlarmSeverity	INTEGER	SNMP	read-only
BASIS-SHELF-MIB.shelfNodeName	basisShelf	shelfNodeName	DisplayString	SNMP	read-write

trapBblfRscAlloc Class

Table A-210 trapBblfRscAlloc Class Attributes

Name	Module	Object	Type	Section	Access
BASIS-GENERIC-MIB.functionModuleType	cardInformation	functionModuleType	INTEGER	SNMP	read-only
BASIS-GENERIC-MIB.moduleSlotNumber	cardInformation	moduleSlotNumber	INTEGER	SNMP	read-only

Table A-210 trapBbRscAlloc Class Attributes (continued)

BASIS-GENERIC-MIB.moduleTrapAlarmSeverity	cardInformation	moduleTrapAlarmSeverity	INTEGER	SNMP	read-only
BASIS-SHELF-MIB.shelfNodeName	basisShelf	shelfNodeName	DisplayString	SNMP	read-write

trapBbChanAdded Class

Table A-211 trapBbChanAdded Class Attributes

Name	Module	Object	Type	Section	Access
BASIS-GENERIC-MIB.functionModuleType	cardInformation	functionModuleType	INTEGER	SNMP	read-only
BASIS-GENERIC-MIB.moduleSlotNumber	cardInformation	moduleSlotNumber	INTEGER	SNMP	read-only
BASIS-GENERIC-MIB.moduleTrapAlarmSeverity	cardInformation	moduleTrapAlarmSeverity	INTEGER	SNMP	read-only
BASIS-SHELF-MIB.shelfNodeName	basisShelf	shelfNodeName	DisplayString	SNMP	read-write

trapBbChanActive Class

Table A-212 trapBbChanActive Class Attributes

Name	Module	Object	Type	Section	Access
BASIS-GENERIC-MIB.functionModuleType	cardInformation	functionModuleType	INTEGER	SNMP	read-only
BASIS-GENERIC-MIB.moduleSlotNumber	cardInformation	moduleSlotNumber	INTEGER	SNMP	read-only
BASIS-GENERIC-MIB.moduleTrapAlarmSeverity	cardInformation	moduleTrapAlarmSeverity	INTEGER	SNMP	read-only
BASIS-SHELF-MIB.shelfNodeName	basisShelf	shelfNodeName	DisplayString	SNMP	read-write

trapBbChanDelete Class

Table A-213 trapBbChanDelete Class Attributes

Name	Module	Object	Type	Section	Access
BASIS-GENERIC-MIB.functionModuleType	cardInformation	functionModuleType	INTEGER	SNMP	read-only
BASIS-GENERIC-MIB.moduleSlotNumber	cardInformation	moduleSlotNumber	INTEGER	SNMP	read-only
BASIS-GENERIC-MIB.moduleTrapAlarmSeverity	cardInformation	moduleTrapAlarmSeverity	INTEGER	SNMP	read-only
BASIS-SHELF-MIB.shelfNodeName	basisShelf	shelfNodeName	DisplayString	SNMP	read-write

trapBbChanFailed Class

Table A-214 trapBbChanFailed Class Attributes

Name	Module	Object	Type	Section	Access
BASIS-GENERIC-MIB.functionModuleType	cardInformation	functionModuleType	INTEGER	SNMP	read-only
BASIS-GENERIC-MIB.moduleSlotNumber	cardInformation	moduleSlotNumber	INTEGER	SNMP	read-only
BASIS-GENERIC-MIB.moduleTrapAlarmSeverity	cardInformation	moduleTrapAlarmSeverity	INTEGER	SNMP	read-only
BASIS-SHELF-MIB.shelfNodeName	basisShelf	shelfNodeName	DisplayString	SNMP	read-write

trapRpmPortAdd Class

Table A-215 trapRpmPortAdd Class Attributes

Name	Module	Object	Type	Section	Access
BASIS-GENERIC-MIB.functionModuleType	cardInformation	functionModuleType	INTEGER	SNMP	read-only
BASIS-GENERIC-MIB.moduleSlotNumber	cardInformation	moduleSlotNumber	INTEGER	SNMP	read-only

Table A-215 trapRpmPortAdd Class Attributes (continued)

BASIS-GENERIC-MIB.moduleTrapAlarmSeverity	cardInformation	moduleTrapAlarmSeverity	INTEGER	SNMP	read-only
BASIS-SHELF-MIB.shelfNodeName	basisShelf	shelfNodeName	DisplayString	SNMP	read-write

trapRpmPortDelete Class

Table A-216 trapRpmPortDelete Class Attributes

Name	Module	Object	Type	Section	Access
BASIS-GENERIC-MIB.functionModuleType	cardInformation	functionModuleType	INTEGER	SNMP	read-only
BASIS-GENERIC-MIB.moduleSlotNumber	cardInformation	moduleSlotNumber	INTEGER	SNMP	read-only
BASIS-GENERIC-MIB.moduleTrapAlarmSeverity	cardInformation	moduleTrapAlarmSeverity	INTEGER	SNMP	read-only
BASIS-SHELF-MIB.shelfNodeName	basisShelf	shelfNodeName	DisplayString	SNMP	read-write

trapRpmPortModify Class

Table A-217 trapRpmPortModify Class Attributes

Name	Module	Object	Type	Section	Access
BASIS-GENERIC-MIB.functionModuleType	cardInformation	functionModuleType	INTEGER	SNMP	read-only
BASIS-GENERIC-MIB.moduleSlotNumber	cardInformation	moduleSlotNumber	INTEGER	SNMP	read-only
BASIS-GENERIC-MIB.moduleTrapAlarmSeverity	cardInformation	moduleTrapAlarmSeverity	INTEGER	SNMP	read-only
BASIS-SHELF-MIB.shelfNodeName	basisShelf	shelfNodeName	DisplayString	SNMP	read-write

trapRpmPortActive Class

Table A-218 trapRpmPortActive Class Attributes

Name	Module	Object	Type	Section	Access
BASIS-GENERIC-MIB.functionModuleType	cardInformation	functionModuleType	INTEGER	SNMP	read-only
BASIS-GENERIC-MIB.moduleSlotNumber	cardInformation	moduleSlotNumber	INTEGER	SNMP	read-only
BASIS-GENERIC-MIB.moduleTrapAlarmSeverity	cardInformation	moduleTrapAlarmSeverity	INTEGER	SNMP	read-only
BASIS-SHELF-MIB.shelfNodeName	basisShelf	shelfNodeName	DisplayString	SNMP	read-write

trapRpmChanAdd Class

Table A-219 trapRpmChanAdd Class Attributes

Name	Module	Object	Type	Section	Access
BASIS-GENERIC-MIB.functionModuleType	cardInformation	functionModuleType	INTEGER	SNMP	read-only
BASIS-GENERIC-MIB.moduleSlotNumber	cardInformation	moduleSlotNumber	INTEGER	SNMP	read-only
BASIS-GENERIC-MIB.moduleTrapAlarmSeverity	cardInformation	moduleTrapAlarmSeverity	INTEGER	SNMP	read-only
BASIS-SHELF-MIB.shelfNodeName	basisShelf	shelfNodeName	DisplayString	SNMP	read-write

trapRpmChanDelete Class

Table A-220 trapRpmChanDelete Class Attributes

Name	Module	Object	Type	Section	Access
BASIS-GENERIC-MIB.functionModuleType	cardInformation	functionModuleType	INTEGER	SNMP	read-only
BASIS-GENERIC-MIB.moduleSlotNumber	cardInformation	moduleSlotNumber	INTEGER	SNMP	read-only

Table A-220 trapRpmChanDelete Class Attributes (continued)

BASIS-GENERIC-MIB.moduleTrapAlarmSeverity	cardInformation	moduleTrapAlarmSeverity	INTEGER	SNMP	read-only
BASIS-SHELF-MIB.shelfNodeName	basisShelf	shelfNodeName	DisplayString	SNMP	read-write

trapRpmChanModify Class

Table A-221 trapRpmChanModify Class Attributes

Name	Module	Object	Type	Section	Access
BASIS-GENERIC-MIB.functionModuleType	cardInformation	functionModuleType	INTEGER	SNMP	read-only
BASIS-GENERIC-MIB.moduleSlotNumber	cardInformation	moduleSlotNumber	INTEGER	SNMP	read-only
BASIS-GENERIC-MIB.moduleTrapAlarmSeverity	cardInformation	moduleTrapAlarmSeverity	INTEGER	SNMP	read-only
BASIS-SHELF-MIB.shelfNodeName	basisShelf	shelfNodeName	DisplayString	SNMP	read-write

trapRpmChanActive Class

Table A-222 trapRpmChanActive Class Attributes

Name	Module	Object	Type	Section	Access
BASIS-GENERIC-MIB.functionModuleType	cardInformation	functionModuleType	INTEGER	SNMP	read-only
BASIS-GENERIC-MIB.moduleSlotNumber	cardInformation	moduleSlotNumber	INTEGER	SNMP	read-only
BASIS-GENERIC-MIB.moduleTrapAlarmSeverity	cardInformation	moduleTrapAlarmSeverity	INTEGER	SNMP	read-only
BASIS-SHELF-MIB.shelfNodeName	basisShelf	shelfNodeName	DisplayString	SNMP	read-write

parNodeStatusChange Class

Table A-223 *parNodeStatusChange Class Attributes*

Name	Module	Object	Type	Section	Access
BASIS-GENERIC-MIB.functionModuleType	cardInformation	functionModuleType	INTEGER	SNMP	read-only
BASIS-GENERIC-MIB.moduleSlotNumber	cardInformation	moduleSlotNumber	INTEGER	SNMP	read-only
BASIS-GENERIC-MIB.moduleTrapAlarmSeverity	cardInformation	moduleTrapAlarmSeverity	INTEGER	SNMP	read-only
BASIS-SHELF-MIB.shelfNodeName	basisShelf	shelfNodeName	DisplayString	SNMP	read-write

parNodeParmsChange Class

Table A-224 *parNodeParmsChange Class Attributes*

Name	Module	Object	Type	Section	Access
BASIS-GENERIC-MIB.functionModuleType	cardInformation	functionModuleType	INTEGER	SNMP	read-only
BASIS-GENERIC-MIB.moduleSlotNumber	cardInformation	moduleSlotNumber	INTEGER	SNMP	read-only
BASIS-GENERIC-MIB.moduleTrapAlarmSeverity	cardInformation	moduleTrapAlarmSeverity	INTEGER	SNMP	read-only
BASIS-SHELF-MIB.shelfNodeName	basisShelf	shelfNodeName	DisplayString	SNMP	read-write

parTrunkAdd Class

Table A-225 *parTrunkAdd Class Attributes*

Name	Module	Object	Type	Section	Access
BASIS-GENERIC-MIB.functionModuleType	cardInformation	functionModuleType	INTEGER	SNMP	read-only
BASIS-GENERIC-MIB.moduleSlotNumber	cardInformation	moduleSlotNumber	INTEGER	SNMP	read-only

Table A-225 parTrunkAdd Class Attributes (continued)

BASIS-GENERIC-MIB.moduleTrapAlarmSeverity	cardInformation	moduleTrapAlarmSeverity	INTEGER	SNMP	read-only
BASIS-SHELF-MIB.shelfNodeName	basisShelf	shelfNodeName	DisplayString	SNMP	read-write

parTrunkStatusChange Class

Table A-226 parTrunkStatusChange Class Attributes

Name	Module	Object	Type	Section	Access
BASIS-GENERIC-MIB.functionModuleType	cardInformation	functionModuleType	INTEGER	SNMP	read-only
BASIS-GENERIC-MIB.moduleSlotNumber	cardInformation	moduleSlotNumber	INTEGER	SNMP	read-only
BASIS-GENERIC-MIB.moduleTrapAlarmSeverity	cardInformation	moduleTrapAlarmSeverity	INTEGER	SNMP	read-only
BASIS-SHELF-MIB.shelfNodeName	basisShelf	shelfNodeName	DisplayString	SNMP	read-write

parTrunkDelete Class

Table A-227 parTrunkDelete Class Attributes

Name	Module	Object	Type	Section	Access
BASIS-GENERIC-MIB.functionModuleType	cardInformation	functionModuleType	INTEGER	SNMP	read-only
BASIS-GENERIC-MIB.moduleSlotNumber	cardInformation	moduleSlotNumber	INTEGER	SNMP	read-only
BASIS-GENERIC-MIB.moduleTrapAlarmSeverity	cardInformation	moduleTrapAlarmSeverity	INTEGER	SNMP	read-only
BASIS-SHELF-MIB.shelfNodeName	basisShelf	shelfNodeName	DisplayString	SNMP	read-write

parTrunkConfig Class

Table A-228 parTrunkConfig Class Attributes

Name	Module	Object	Type	Section	Access
BASIS-GENERIC-MIB.functionModuleType	cardInformation	functionModuleType	INTEGER	SNMP	read-only
BASIS-GENERIC-MIB.moduleSlotNumber	cardInformation	moduleSlotNumber	INTEGER	SNMP	read-only
BASIS-GENERIC-MIB.moduleTrapAlarmSeverity	cardInformation	moduleTrapAlarmSeverity	INTEGER	SNMP	read-only
BASIS-SHELF-MIB.shelfNodeName	basisShelf	shelfNodeName	DisplayString	SNMP	read-write

parUpConnStateChange Class

Table A-229 parUpConnStateChange Class Attributes

Name	Module	Object	Type	Section	Access
BASIS-GENERIC-MIB.functionModuleType	cardInformation	functionModuleType	INTEGER	SNMP	read-only
BASIS-GENERIC-MIB.moduleSlotNumber	cardInformation	moduleSlotNumber	INTEGER	SNMP	read-only
BASIS-GENERIC-MIB.moduleTrapAlarmSeverity	cardInformation	moduleTrapAlarmSeverity	INTEGER	SNMP	read-only
BASIS-SHELF-MIB.shelfNodeName	basisShelf	shelfNodeName	DisplayString	SNMP	read-write

parDownConnStateChange Class

Table A-230 parDownConnStateChange Class Attributes

Name	Module	Object	Type	Section	Access
BASIS-GENERIC-MIB.functionModuleType	cardInformation	functionModuleType	INTEGER	SNMP	read-only
BASIS-GENERIC-MIB.moduleSlotNumber	cardInformation	moduleSlotNumber	INTEGER	SNMP	read-only

Table A-230 parDownConnStateChange Class Attributes (continued)

BASIS-GENERIC-MIB.moduleTrapAlarmSeverity	cardInformation	moduleTrapAlarmSeverity	INTEGER	SNMP	read-only
BASIS-SHELF-MIB.shelfNodeName	basisShelf	shelfNodeName	DisplayString	SNMP	read-write

parConnAutoRemove Class

Table A-231 parConnAutoRemove Class Attributes

Name	Module	Object	Type	Section	Access
BASIS-GENERIC-MIB.functionModuleType	cardInformation	functionModuleType	INTEGER	SNMP	read-only
BASIS-GENERIC-MIB.moduleSlotNumber	cardInformation	moduleSlotNumber	INTEGER	SNMP	read-only
BASIS-GENERIC-MIB.moduleTrapAlarmSeverity	cardInformation	moduleTrapAlarmSeverity	INTEGER	SNMP	read-only
BASIS-SHELF-MIB.shelfNodeName	basisShelf	shelfNodeName	DisplayString	SNMP	read-write

mgAdministrativeStateLocked Class

Table A-232 mgAdministrativeStateLocked Class Attributes

Name	Module	Object	Type	Section	Access
BASIS-GENERIC-MIB.functionModuleType	cardInformation	functionModuleType	INTEGER	SNMP	read-only
BASIS-GENERIC-MIB.moduleSlotNumber	cardInformation	moduleSlotNumber	INTEGER	SNMP	read-only
BASIS-GENERIC-MIB.moduleTrapAlarmSeverity	cardInformation	moduleTrapAlarmSeverity	INTEGER	SNMP	read-only
BASIS-SHELF-MIB.shelfNodeName	basisShelf	shelfNodeName	DisplayString	SNMP	read-write
CISCO-WAN-MG-MIB.mgAdministrativeState	mediaGateway	mgAdministrativeState	INTEGER	SNMP	read-only

mgAdministrativeStateUnlocked Class

Table A-233 mgAdministrativeStateUnlocked Class Attributes

Name	Module	Object	Type	Section	Access
BASIS-GENERIC-MIB.functionModuleType	cardInformation	functionModuleType	INTEGER	SNMP	read-only
BASIS-GENERIC-MIB.moduleSlotNumber	cardInformation	moduleSlotNumber	INTEGER	SNMP	read-only
BASIS-GENERIC-MIB.moduleTrapAlarmSeverity	cardInformation	moduleTrapAlarmSeverity	INTEGER	SNMP	read-only
BASIS-SHELF-MIB.shelfNodeName	basisShelf	shelfNodeName	DisplayString	SNMP	read-write
CISCO-WAN-MG-MIB.mgAdministrativeState	mediaGateway	mgAdministrativeState	INTEGER	SNMP	read-only

mgAdministrativeStateShuttingDown Class

Table A-234 mgAdministrativeStateShuttingDown Class Attributes

Name	Module	Object	Type	Section	Access
BASIS-GENERIC-MIB.functionModuleType	cardInformation	functionModuleType	INTEGER	SNMP	read-only
BASIS-GENERIC-MIB.moduleSlotNumber	cardInformation	moduleSlotNumber	INTEGER	SNMP	read-only
BASIS-GENERIC-MIB.moduleTrapAlarmSeverity	cardInformation	moduleTrapAlarmSeverity	INTEGER	SNMP	read-only
BASIS-SHELF-MIB.shelfNodeName	basisShelf	shelfNodeName	DisplayString	SNMP	read-write
CISCO-WAN-MG-MIB.mgAdministrativeState	mediaGateway	mgAdministrativeState	INTEGER	SNMP	read-only

mgcAssociated Class

Table A-235 *mgcAssociated Class Attributes*

Name	Module	Object	Type	Section	Access
BASIS-GENERIC-MIB.functionModuleType	cardInformation	functionModuleType	INTEGER	SNMP	read-only
BASIS-GENERIC-MIB.moduleSlotNumber	cardInformation	moduleSlotNumber	INTEGER	SNMP	read-only
BASIS-GENERIC-MIB.moduleTrapAlarmSeverity	cardInformation	moduleTrapAlarmSeverity	INTEGER	SNMP	read-only
BASIS-SHELF-MIB.shelfNodeName	basisShelf	shelfNodeName	DisplayString	SNMP	read-write

mgcUnassociated Class

Table A-236 *mgcUnassociated Class Attributes*

Name	Module	Object	Type	Section	Access
BASIS-GENERIC-MIB.functionModuleType	cardInformation	functionModuleType	INTEGER	SNMP	read-only
BASIS-GENERIC-MIB.moduleSlotNumber	cardInformation	moduleSlotNumber	INTEGER	SNMP	read-only
BASIS-GENERIC-MIB.moduleTrapAlarmSeverity	cardInformation	moduleTrapAlarmSeverity	INTEGER	SNMP	read-only
BASIS-SHELF-MIB.shelfNodeName	basisShelf	shelfNodeName	DisplayString	SNMP	read-write

mgcAssociatedCommLoss Class

Table A-237 *mgcAssociatedCommLoss Class Attributes*

Name	Module	Object	Type	Section	Access
BASIS-GENERIC-MIB.functionModuleType	cardInformation	functionModuleType	INTEGER	SNMP	read-only
BASIS-GENERIC-MIB.moduleSlotNumber	cardInformation	moduleSlotNumber	INTEGER	SNMP	read-only

Table A-237 *mgcAssociatedCommLoss Class Attributes (continued)*

BASIS-GENERIC-MIB.moduleTrapAlarmSeverity	cardInformation	moduleTrapAlarmSeverity	INTEGER	SNMP	read-only
BASIS-SHELF-MIB.shelfNodeName	basisShelf	shelfNodeName	DisplayString	SNMP	read-write

mgcCommStateActive Class

Table A-238 *mgcCommStateActive Class Attributes*

Name	Module	Object	Type	Section	Access
BASIS-GENERIC-MIB.functionModuleType	cardInformation	functionModuleType	INTEGER	SNMP	read-only
BASIS-GENERIC-MIB.moduleSlotNumber	cardInformation	moduleSlotNumber	INTEGER	SNMP	read-only
BASIS-GENERIC-MIB.moduleTrapAlarmSeverity	cardInformation	moduleTrapAlarmSeverity	INTEGER	SNMP	read-only
BASIS-SHELF-MIB.shelfNodeName	basisShelf	shelfNodeName	DisplayString	SNMP	read-write
CISCO-WAN-AXIPOP-MIB.vismTrapIntIndex1	vismTrapObjGrp	vismTrapIntIndex1	INTEGER	SNMP	read-only
CISCO-WAN-MG-MIB.mgcResolutionIpAddress	mgcResolutionEntry	mgcResolutionIpAddress	IpAddress	SNMP	read-write

mgcCommStateInactive Class

Table A-239 *mgcCommStateInactive Class Attributes*

Name	Module	Object	Type	Section	Access
BASIS-GENERIC-MIB.functionModuleType	cardInformation	functionModuleType	INTEGER	SNMP	read-only
BASIS-GENERIC-MIB.moduleSlotNumber	cardInformation	moduleSlotNumber	INTEGER	SNMP	read-only
BASIS-GENERIC-MIB.moduleTrapAlarmSeverity	cardInformation	moduleTrapAlarmSeverity	INTEGER	SNMP	read-only
BASIS-SHELF-MIB.shelfNodeName	basisShelf	shelfNodeName	DisplayString	SNMP	read-write

Table A-239 *mgcCommStateInactive Class Attributes (continued)*

CISCO-WAN-AXIPOP-MIB.vismTrapIntIndex1	vismTrapObjGrp	vismTrapIntIndex1	INTEGER	SNMP	read-only
CISCO-WAN-MG-MIB.mgcResolutionIpAddress	mgcResolutionEntry	mgcResolutionIpAddress	IpAddress	SNMP	read-write

mgEndpointCreated Class

Table A-240 *mgEndpointCreated Class Attributes*

Name	Module	Object	Type	Section	Access
BASIS-GENERIC-MIB.functionModuleType	cardInformation	functionModuleType	INTEGER	SNMP	read-only
BASIS-GENERIC-MIB.moduleSlotNumber	cardInformation	moduleSlotNumber	INTEGER	SNMP	read-only
BASIS-GENERIC-MIB.moduleTrapAlarmSeverity	cardInformation	moduleTrapAlarmSeverity	INTEGER	SNMP	read-only
BASIS-SHELF-MIB.shelfNodeName	basisShelf	shelfNodeName	DisplayString	SNMP	read-write
CISCO-WAN-AXIPOP-MIB.vismTrapIntIndex1	vismTrapObjGrp	vismTrapIntIndex1	INTEGER	SNMP	read-only
CISCO-WAN-MG-MIB.mgEndpointChannelMap	mgEndpointEntry	mgEndpointChannelMap	Integer32	SNMP	read-write
CISCO-WAN-MG-MIB.mgEndpointLineNumber	mgEndpointEntry	mgEndpointLineNumber	Integer32	SNMP	read-write

mgEndpointDeleted Class

Table A-241 *mgEndpointDeleted Class Attributes*

Name	Module	Object	Type	Section	Access
BASIS-GENERIC-MIB.functionModuleType	cardInformation	functionModuleType	INTEGER	SNMP	read-only
BASIS-GENERIC-MIB.moduleSlotNumber	cardInformation	moduleSlotNumber	INTEGER	SNMP	read-only
BASIS-GENERIC-MIB.moduleTrapAlarmSeverity	cardInformation	moduleTrapAlarmSeverity	INTEGER	SNMP	read-only
BASIS-SHELF-MIB.shelfNodeName	basisShelf	shelfNodeName	DisplayString	SNMP	read-write

Table A-241 mgEndpointDeleted Class Attributes (continued)

CISCO-WAN-AXIPOP-MIB.vismTrapIntIndex1	vismTrapObjGrp	vismTrapIntIndex1	INTEGER	SNMP	read-only
CISCO-WAN-MG-MIB.mgEndpointChannelMap	mgEndpointEntry	mgEndpointChannelMap	Integer32	SNMP	read-write
CISCO-WAN-MG-MIB.mgEndpointLineNumber	mgEndpointEntry	mgEndpointLineNumber	Integer32	SNMP	read-write

mgEndpointActive Class

Table A-242 mgEndpointActive Class Attributes

Name	Module	Object	Type	Section	Access
BASIS-GENERIC-MIB.functionModuleType	cardInformation	functionModuleType	INTEGER	SNMP	read-only
BASIS-GENERIC-MIB.moduleSlotNumber	cardInformation	moduleSlotNumber	INTEGER	SNMP	read-only
BASIS-GENERIC-MIB.moduleTrapAlarmSeverity	cardInformation	moduleTrapAlarmSeverity	INTEGER	SNMP	read-only
BASIS-SHELF-MIB.shelfNodeName	basisShelf	shelfNodeName	DisplayString	SNMP	read-write
CISCO-WAN-AXIPOP-MIB.vismTrapIntIndex1	vismTrapObjGrp	vismTrapIntIndex1	INTEGER	SNMP	read-only
CISCO-WAN-MG-MIB.mgEndpointChannelMap	mgEndpointEntry	mgEndpointChannelMap	Integer32	SNMP	read-write
CISCO-WAN-MG-MIB.mgEndpointLineNumber	mgEndpointEntry	mgEndpointLineNumber	Integer32	SNMP	read-write

mgEndpointFailed Class

Table A-243 mgEndpointFailed Class Attributes

Name	Module	Object	Type	Section	Access
BASIS-GENERIC-MIB.functionModuleType	cardInformation	functionModuleType	INTEGER	SNMP	read-only
BASIS-GENERIC-MIB.moduleSlotNumber	cardInformation	moduleSlotNumber	INTEGER	SNMP	read-only
BASIS-GENERIC-MIB.moduleTrapAlarmSeverity	cardInformation	moduleTrapAlarmSeverity	INTEGER	SNMP	read-only

Table A-243 *mgEndpointFailed Class Attributes (continued)*

BASIS-SHELF-MIB.shelfNodeName	basisShelf	shelfNodeName	DisplayString	SNMP	read-write
CISCO-WAN-AXIPOP-MIB.vismTrapIntIndex1	vismTrapObjGrp	vismTrapIntIndex1	INTEGER	SNMP	read-only
CISCO-WAN-MG-MIB.mgEndpointChannelMap	mgEndpointEntry	mgEndpointChannelMap	Integer32	SNMP	read-write
CISCO-WAN-MG-MIB.mgEndpointLineNumber	mgEndpointEntry	mgEndpointLineNumber	Integer32	SNMP	read-write

mgcAdded Class

Table A-244 *mgcAdded Class Attributes*

Name	Module	Object	Type	Section	Access
BASIS-GENERIC-MIB.functionModuleType	cardInformation	functionModuleType	INTEGER	SNMP	read-only
BASIS-GENERIC-MIB.moduleSlotNumber	cardInformation	moduleSlotNumber	INTEGER	SNMP	read-only
BASIS-GENERIC-MIB.moduleTrapAlarmSeverity	cardInformation	moduleTrapAlarmSeverity	INTEGER	SNMP	read-only
BASIS-SHELF-MIB.shelfNodeName	basisShelf	shelfNodeName	DisplayString	SNMP	read-write
CISCO-WAN-AXIPOP-MIB.vismTrapIntIndex1	vismTrapObjGrp	vismTrapIntIndex1	INTEGER	SNMP	read-only
CISCO-WAN-MG-MIB.mgcName	mgcEntry	mgcName	DisplayString	SNMP	read-write

mgcDeleted Class

Table A-245 *mgcDeleted Class Attributes*

Name	Module	Object	Type	Section	Access
BASIS-GENERIC-MIB.functionModuleType	cardInformation	functionModuleType	INTEGER	SNMP	read-only
BASIS-GENERIC-MIB.moduleSlotNumber	cardInformation	moduleSlotNumber	INTEGER	SNMP	read-only
BASIS-GENERIC-MIB.moduleTrapAlarmSeverity	cardInformation	moduleTrapAlarmSeverity	INTEGER	SNMP	read-only

Table A-245 *mgcDeleted Class Attributes (continued)*

BASIS-SHELF-MIB.shelfNodeName	basisShelf	shelfNodeName	DisplayString	SNMP	read-write
CISCO-WAN-AXIPOP-MIB.vismTrapIntIndex1	vismTrapObjGrp	vismTrapIntIndex1	INTEGER	SNMP	read-only
CISCO-WAN-MG-MIB.mgcName	mgcEntry	mgcName	DisplayString	SNMP	read-write

mgcProtocolAdded Class

Table A-246 *mgcProtocolAdded Class Attributes*

Name	Module	Object	Type	Section	Access
BASIS-GENERIC-MIB.functionModuleType	cardInformation	functionModuleType	INTEGER	SNMP	read-only
BASIS-GENERIC-MIB.moduleSlotNumber	cardInformation	moduleSlotNumber	INTEGER	SNMP	read-only
BASIS-GENERIC-MIB.moduleTrapAlarmSeverity	cardInformation	moduleTrapAlarmSeverity	INTEGER	SNMP	read-only
BASIS-SHELF-MIB.shelfNodeName	basisShelf	shelfNodeName	DisplayString	SNMP	read-write

mgcProtocolDeleted Class

Table A-247 *mgcProtocolDeleted Class Attributes*

Name	Module	Object	Type	Section	Access
BASIS-GENERIC-MIB.functionModuleType	cardInformation	functionModuleType	INTEGER	SNMP	read-only
BASIS-GENERIC-MIB.moduleSlotNumber	cardInformation	moduleSlotNumber	INTEGER	SNMP	read-only
BASIS-GENERIC-MIB.moduleTrapAlarmSeverity	cardInformation	moduleTrapAlarmSeverity	INTEGER	SNMP	read-only
BASIS-SHELF-MIB.shelfNodeName	basisShelf	shelfNodeName	DisplayString	SNMP	read-write

mgcResolutionAdded Class

Table A-248 *mgcResolutionAdded Class Attributes*

Name	Module	Object	Type	Section	Access
BASIS-GENERIC-MIB.functionModuleType	cardInformation	functionModuleType	INTEGER	SNMP	read-only
BASIS-GENERIC-MIB.moduleSlotNumber	cardInformation	moduleSlotNumber	INTEGER	SNMP	read-only
BASIS-GENERIC-MIB.moduleTrapAlarmSeverity	cardInformation	moduleTrapAlarmSeverity	INTEGER	SNMP	read-only
BASIS-SHELF-MIB.shelfNodeName	basisShelf	shelfNodeName	DisplayString	SNMP	read-write
CISCO-WAN-AXIPOP-MIB.vismTrapIntIndex1	vismTrapObjGrp	vismTrapIntIndex1	INTEGER	SNMP	read-only
CISCO-WAN-MG-MIB.mgcResolutionIpAddress	mgcResolutionEntry	mgcResolutionIpAddress	IpAddress	SNMP	read-write

mgcResolutionDeleted Class

Table A-249 *mgcResolutionDeleted Class Attributes*

Name	Module	Object	Type	Section	Access
BASIS-GENERIC-MIB.functionModuleType	cardInformation	functionModuleType	INTEGER	SNMP	read-only
BASIS-GENERIC-MIB.moduleSlotNumber	cardInformation	moduleSlotNumber	INTEGER	SNMP	read-only
BASIS-GENERIC-MIB.moduleTrapAlarmSeverity	cardInformation	moduleTrapAlarmSeverity	INTEGER	SNMP	read-only
BASIS-SHELF-MIB.shelfNodeName	basisShelf	shelfNodeName	DisplayString	SNMP	read-write
CISCO-WAN-AXIPOP-MIB.vismTrapIntIndex1	vismTrapObjGrp	vismTrapIntIndex1	INTEGER	SNMP	read-only
CISCO-WAN-MG-MIB.mgcResolutionIpAddress	mgcResolutionEntry	mgcResolutionIpAddress	IpAddress	SNMP	read-write

peerHeartbeatLost Class

Table A-250 peerHeartbeatLost Class Attributes

Name	Module	Object	Type	Section	Access
BASIS-GENERIC-MIB.functionModuleType	cardInformation	functionModuleType	INTEGER	SNMP	read-only
BASIS-GENERIC-MIB.moduleSlotNumber	cardInformation	moduleSlotNumber	INTEGER	SNMP	read-only
BASIS-GENERIC-MIB.moduleTrapAlarmSeverity	cardInformation	moduleTrapAlarmSeverity	INTEGER	SNMP	read-only
BASIS-SHELF-MIB.shelfNodeName	basisShelf	shelfNodeName	DisplayString	SNMP	read-write

peerHeartbeatDetected Class

Table A-251 peerHeartbeatDetected Class Attributes

Name	Module	Object	Type	Section	Access
BASIS-GENERIC-MIB.functionModuleType	cardInformation	functionModuleType	INTEGER	SNMP	read-only
BASIS-GENERIC-MIB.moduleSlotNumber	cardInformation	moduleSlotNumber	INTEGER	SNMP	read-only
BASIS-GENERIC-MIB.moduleTrapAlarmSeverity	cardInformation	moduleTrapAlarmSeverity	INTEGER	SNMP	read-only
BASIS-SHELF-MIB.shelfNodeName	basisShelf	shelfNodeName	DisplayString	SNMP	read-write

trapLapdAdded Class

Table A-252 trapLapdAdded Class Attributes

Name	Module	Object	Type	Section	Access
BASIS-GENERIC-MIB.functionModuleType	cardInformation	functionModuleType	INTEGER	SNMP	read-only
BASIS-GENERIC-MIB.moduleSlotNumber	cardInformation	moduleSlotNumber	INTEGER	SNMP	read-only

Table A-252 trapLapdAdded Class Attributes (continued)

BASIS-GENERIC-MIB.moduleTrapAlarmSeverity	cardInformation	moduleTrapAlarmSeverity	INTEGER	SNMP	read-only
BASIS-SHELF-MIB.shelfNodeName	basisShelf	shelfNodeName	DisplayString	SNMP	read-write
VISM-LAPD-MIB.vismLapdIndex	vismLapdEntry	vismLapdIndex	INTEGER	SNMP	read-only

trapLapdDeleted Class

Table A-253 trapLapdDeleted Class Attributes

Name	Module	Object	Type	Section	Access
BASIS-GENERIC-MIB.functionModuleType	cardInformation	functionModuleType	INTEGER	SNMP	read-only
BASIS-GENERIC-MIB.moduleSlotNumber	cardInformation	moduleSlotNumber	INTEGER	SNMP	read-only
BASIS-GENERIC-MIB.moduleTrapAlarmSeverity	cardInformation	moduleTrapAlarmSeverity	INTEGER	SNMP	read-only
BASIS-SHELF-MIB.shelfNodeName	basisShelf	shelfNodeName	DisplayString	SNMP	read-write
VISM-LAPD-MIB.vismLapdIndex	vismLapdEntry	vismLapdIndex	INTEGER	SNMP	read-only

trapSessionSetAdded Class

Table A-254 trapSessionSetAdded Class Attributes

Name	Module	Object	Type	Section	Access
BASIS-GENERIC-MIB.functionModuleType	cardInformation	functionModuleType	INTEGER	SNMP	read-only
BASIS-GENERIC-MIB.moduleSlotNumber	cardInformation	moduleSlotNumber	INTEGER	SNMP	read-only
BASIS-GENERIC-MIB.moduleTrapAlarmSeverity	cardInformation	moduleTrapAlarmSeverity	INTEGER	SNMP	read-only
BASIS-SHELF-MIB.shelfNodeName	basisShelf	shelfNodeName	DisplayString	SNMP	read-write
VISM-SESSION-MIB.vismRudpSessionNum	vismRudpSessionConfEntry	vismRudpSessionNum	INTEGER	SNMP, LocalDB	read-only

Table A-254 trapSessionSetAdded Class Attributes (continued)

VISM-SESSION-MIB.vismRudpSessionState	vismRudpSessionConfEntry	vismRudpSessionState	INTEGER	SNMP	read-only
VISM-SESSION-MIB.vismSessionGrpNum	vismSessionGrpEntry	vismSessionGrpNum	INTEGER	SNMP, LocalDB	read-only
VISM-SESSION-MIB.vismSessionGrpState	vismSessionGrpEntry	vismSessionGrpState	INTEGER	SNMP	read-only
VISM-SESSION-MIB.vismSessionSetNum	vismSessionSetEntry	vismSessionSetNum	INTEGER	SNMP, LocalDB	read-only
VISM-SESSION-MIB.vismSessionSetState	vismSessionSetEntry	vismSessionSetState	INTEGER	SNMP	read-only

trapSessionSetDeleted Class

Table A-255 trapSessionSetDeleted Class Attributes

Name	Module	Object	Type	Section	Access
BASIS-GENERIC-MIB.functionModuleType	cardInformation	functionModuleType	INTEGER	SNMP	read-only
BASIS-GENERIC-MIB.moduleSlotNumber	cardInformation	moduleSlotNumber	INTEGER	SNMP	read-only
BASIS-GENERIC-MIB.moduleTrapAlarmSeverity	cardInformation	moduleTrapAlarmSeverity	INTEGER	SNMP	read-only
BASIS-SHELF-MIB.shelfNodeName	basisShelf	shelfNodeName	DisplayString	SNMP	read-write
VISM-SESSION-MIB.vismRudpSessionNum	vismRudpSessionConfEntry	vismRudpSessionNum	INTEGER	SNMP, LocalDB	read-only
VISM-SESSION-MIB.vismRudpSessionState	vismRudpSessionConfEntry	vismRudpSessionState	INTEGER	SNMP	read-only
VISM-SESSION-MIB.vismSessionGrpNum	vismSessionGrpEntry	vismSessionGrpNum	INTEGER	SNMP, LocalDB	read-only
VISM-SESSION-MIB.vismSessionGrpState	vismSessionGrpEntry	vismSessionGrpState	INTEGER	SNMP	read-only
VISM-SESSION-MIB.vismSessionSetNum	vismSessionSetEntry	vismSessionSetNum	INTEGER	SNMP, LocalDB	read-only
VISM-SESSION-MIB.vismSessionSetState	vismSessionSetEntry	vismSessionSetState	INTEGER	SNMP	read-only

trapSessionGrpAdded Class

Table A-256 trapSessionGrpAdded Class Attributes

Name	Module	Object	Type	Section	Access
BASIS-GENERIC-MIB.functionModuleType	cardInformation	functionModuleType	INTEGER	SNMP	read-only
BASIS-GENERIC-MIB.moduleSlotNumber	cardInformation	moduleSlotNumber	INTEGER	SNMP	read-only
BASIS-GENERIC-MIB.moduleTrapAlarmSeverity	cardInformation	moduleTrapAlarmSeverity	INTEGER	SNMP	read-only
BASIS-SHELF-MIB.shelfNodeName	basisShelf	shelfNodeName	DisplayString	SNMP	read-write
VISM-SESSION-MIB.vismRudpSessionNum	vismRudpSessionConfEntry	vismRudpSessionNum	INTEGER	SNMP, LocalDB	read-only
VISM-SESSION-MIB.vismRudpSessionState	vismRudpSessionConfEntry	vismRudpSessionState	INTEGER	SNMP	read-only
VISM-SESSION-MIB.vismSessionGrpNum	vismSessionGrpEntry	vismSessionGrpNum	INTEGER	SNMP, LocalDB	read-only
VISM-SESSION-MIB.vismSessionGrpState	vismSessionGrpEntry	vismSessionGrpState	INTEGER	SNMP	read-only
VISM-SESSION-MIB.vismSessionSetNum	vismSessionSetEntry	vismSessionSetNum	INTEGER	SNMP, LocalDB	read-only
VISM-SESSION-MIB.vismSessionSetState	vismSessionSetEntry	vismSessionSetState	INTEGER	SNMP	read-only

trapSessionGrpDeleted Class

Table A-257 trapSessionGrpDeleted Class Attributes

Name	Module	Object	Type	Section	Access
BASIS-GENERIC-MIB.functionModuleType	cardInformation	functionModuleType	INTEGER	SNMP	read-only
BASIS-GENERIC-MIB.moduleSlotNumber	cardInformation	moduleSlotNumber	INTEGER	SNMP	read-only
BASIS-GENERIC-MIB.moduleTrapAlarmSeverity	cardInformation	moduleTrapAlarmSeverity	INTEGER	SNMP	read-only
BASIS-SHELF-MIB.shelfNodeName	basisShelf	shelfNodeName	DisplayString	SNMP	read-write
VISM-SESSION-MIB.vismRudpSessionNum	vismRudpSessionConfEntry	vismRudpSessionNum	INTEGER	SNMP, LocalDB	read-only

Table A-257 trapSessionGrpDeleted Class Attributes (continued)

VISM-SESSION-MIB.vismRudpSessionState	vismRudpSessionConfEntry	vismRudpSessionState	INTEGER	SNMP	read-only
VISM-SESSION-MIB.vismSessionGrpNum	vismSessionGrpEntry	vismSessionGrpNum	INTEGER	SNMP, LocalDB	read-only
VISM-SESSION-MIB.vismSessionGrpState	vismSessionGrpEntry	vismSessionGrpState	INTEGER	SNMP	read-only
VISM-SESSION-MIB.vismSessionSetNum	vismSessionSetEntry	vismSessionSetNum	INTEGER	SNMP, LocalDB	read-only
VISM-SESSION-MIB.vismSessionSetState	vismSessionSetEntry	vismSessionSetState	INTEGER	SNMP	read-only

trapRudpSessionAdded Class

Table A-258 trapRudpSessionAdded Class Attributes

Name	Module	Object	Type	Section	Access
BASIS-GENERIC-MIB.functionModuleType	cardInformation	functionModuleType	INTEGER	SNMP	read-only
BASIS-GENERIC-MIB.moduleSlotNumber	cardInformation	moduleSlotNumber	INTEGER	SNMP	read-only
BASIS-GENERIC-MIB.moduleTrapAlarmSeverity	cardInformation	moduleTrapAlarmSeverity	INTEGER	SNMP	read-only
BASIS-SHELF-MIB.shelfNodeName	basisShelf	shelfNodeName	DisplayString	SNMP	read-write
VISM-SESSION-MIB.vismRudpSessionNum	vismRudpSessionConfEntry	vismRudpSessionNum	INTEGER	SNMP, LocalDB	read-only
VISM-SESSION-MIB.vismRudpSessionState	vismRudpSessionConfEntry	vismRudpSessionState	INTEGER	SNMP	read-only
VISM-SESSION-MIB.vismSessionGrpNum	vismSessionGrpEntry	vismSessionGrpNum	INTEGER	SNMP, LocalDB	read-only
VISM-SESSION-MIB.vismSessionGrpState	vismSessionGrpEntry	vismSessionGrpState	INTEGER	SNMP	read-only
VISM-SESSION-MIB.vismSessionSetNum	vismSessionSetEntry	vismSessionSetNum	INTEGER	SNMP, LocalDB	read-only
VISM-SESSION-MIB.vismSessionSetState	vismSessionSetEntry	vismSessionSetState	INTEGER	SNMP	read-only

trapRudpSessionDeleted Class

Table A-259 trapRudpSessionDeleted Class Attributes

Name	Module	Object	Type	Section	Access
BASIS-GENERIC-MIB.functionModuleType	cardInformation	functionModuleType	INTEGER	SNMP	read-only
BASIS-GENERIC-MIB.moduleSlotNumber	cardInformation	moduleSlotNumber	INTEGER	SNMP	read-only
BASIS-GENERIC-MIB.moduleTrapAlarmSeverity	cardInformation	moduleTrapAlarmSeverity	INTEGER	SNMP	read-only
BASIS-SHELF-MIB.shelfNodeName	basisShelf	shelfNodeName	DisplayString	SNMP	read-write
VISM-SESSION-MIB.vismRudpSessionNum	vismRudpSessionConfEntry	vismRudpSessionNum	INTEGER	SNMP, LocalDB	read-only
VISM-SESSION-MIB.vismRudpSessionState	vismRudpSessionConfEntry	vismRudpSessionState	INTEGER	SNMP	read-only
VISM-SESSION-MIB.vismSessionGrpNum	vismSessionGrpEntry	vismSessionGrpNum	INTEGER	SNMP, LocalDB	read-only
VISM-SESSION-MIB.vismSessionGrpState	vismSessionGrpEntry	vismSessionGrpState	INTEGER	SNMP	read-only
VISM-SESSION-MIB.vismSessionSetNum	vismSessionSetEntry	vismSessionSetNum	INTEGER	SNMP, LocalDB	read-only
VISM-SESSION-MIB.vismSessionSetState	vismSessionSetEntry	vismSessionSetState	INTEGER	SNMP	read-only

trapRudpSessionOos Class

Table A-260 trapRudpSessionOos Class Attributes

Name	Module	Object	Type	Section	Access
BASIS-GENERIC-MIB.functionModuleType	cardInformation	functionModuleType	INTEGER	SNMP	read-only
BASIS-GENERIC-MIB.moduleSlotNumber	cardInformation	moduleSlotNumber	INTEGER	SNMP	read-only
BASIS-GENERIC-MIB.moduleTrapAlarmSeverity	cardInformation	moduleTrapAlarmSeverity	INTEGER	SNMP	read-only
BASIS-SHELF-MIB.shelfNodeName	basisShelf	shelfNodeName	DisplayString	SNMP	read-write
VISM-SESSION-MIB.vismRudpSessionNum	vismRudpSessionConfEntry	vismRudpSessionNum	INTEGER	SNMP, LocalDB	read-only

Table A-260 trapRudpSessionOos Class Attributes (continued)

VISM-SESSION-MIB.vismRudpSessionState	vismRudpSessionConfEntry	vismRudpSessionState	INTEGER	SNMP	read-only
VISM-SESSION-MIB.vismSessionGrpNum	vismSessionGrpEntry	vismSessionGrpNum	INTEGER	SNMP, LocalDB	read-only
VISM-SESSION-MIB.vismSessionGrpState	vismSessionGrpEntry	vismSessionGrpState	INTEGER	SNMP	read-only
VISM-SESSION-MIB.vismSessionSetNum	vismSessionSetEntry	vismSessionSetNum	INTEGER	SNMP, LocalDB	read-only
VISM-SESSION-MIB.vismSessionSetState	vismSessionSetEntry	vismSessionSetState	INTEGER	SNMP	read-only

trapRudpSessions Class

Table A-261 trapRudpSessions Class Attributes

Name	Module	Object	Type	Section	Access
BASIS-GENERIC-MIB.functionModuleType	cardInformation	functionModuleType	INTEGER	SNMP	read-only
BASIS-GENERIC-MIB.moduleSlotNumber	cardInformation	moduleSlotNumber	INTEGER	SNMP	read-only
BASIS-GENERIC-MIB.moduleTrapAlarmSeverity	cardInformation	moduleTrapAlarmSeverity	INTEGER	SNMP	read-only
BASIS-SHELF-MIB.shelfNodeName	basisShelf	shelfNodeName	DisplayString	SNMP	read-write
VISM-SESSION-MIB.vismRudpSessionNum	vismRudpSessionConfEntry	vismRudpSessionNum	INTEGER	SNMP, LocalDB	read-only
VISM-SESSION-MIB.vismRudpSessionState	vismRudpSessionConfEntry	vismRudpSessionState	INTEGER	SNMP	read-only
VISM-SESSION-MIB.vismSessionGrpNum	vismSessionGrpEntry	vismSessionGrpNum	INTEGER	SNMP, LocalDB	read-only
VISM-SESSION-MIB.vismSessionGrpState	vismSessionGrpEntry	vismSessionGrpState	INTEGER	SNMP	read-only
VISM-SESSION-MIB.vismSessionSetNum	vismSessionSetEntry	vismSessionSetNum	INTEGER	SNMP, LocalDB	read-only
VISM-SESSION-MIB.vismSessionSetState	vismSessionSetEntry	vismSessionSetState	INTEGER	SNMP	read-only

trapRudpSessionPrimaryIs Class

Table A-262 *trapRudpSessionPrimaryIs Class Attributes*

Name	Module	Object	Type	Section	Access
BASIS-GENERIC-MIB.functionModuleType	cardInformation	functionModuleType	INTEGER	SNMP	read-only
BASIS-GENERIC-MIB.moduleSlotNumber	cardInformation	moduleSlotNumber	INTEGER	SNMP	read-only
BASIS-GENERIC-MIB.moduleTrapAlarmSeverity	cardInformation	moduleTrapAlarmSeverity	INTEGER	SNMP	read-only
BASIS-SHELF-MIB.shelfNodeName	basisShelf	shelfNodeName	DisplayString	SNMP	read-write
VISM-SESSION-MIB.vismRudpSessionNum	vismRudpSessionConfEntry	vismRudpSessionNum	INTEGER	SNMP, LocalDB	read-only
VISM-SESSION-MIB.vismRudpSessionState	vismRudpSessionConfEntry	vismRudpSessionState	INTEGER	SNMP	read-only
VISM-SESSION-MIB.vismSessionGrpNum	vismSessionGrpEntry	vismSessionGrpNum	INTEGER	SNMP, LocalDB	read-only
VISM-SESSION-MIB.vismSessionGrpState	vismSessionGrpEntry	vismSessionGrpState	INTEGER	SNMP	read-only
VISM-SESSION-MIB.vismSessionSetNum	vismSessionSetEntry	vismSessionSetNum	INTEGER	SNMP, LocalDB	read-only
VISM-SESSION-MIB.vismSessionSetState	vismSessionSetEntry	vismSessionSetState	INTEGER	SNMP	read-only

trapRudpSessionActive Class

Table A-263 *trapRudpSessionActive Class Attributes*

Name	Module	Object	Type	Section	Access
BASIS-GENERIC-MIB.functionModuleType	cardInformation	functionModuleType	INTEGER	SNMP	read-only
BASIS-GENERIC-MIB.moduleSlotNumber	cardInformation	moduleSlotNumber	INTEGER	SNMP	read-only
BASIS-GENERIC-MIB.moduleTrapAlarmSeverity	cardInformation	moduleTrapAlarmSeverity	INTEGER	SNMP	read-only
BASIS-SHELF-MIB.shelfNodeName	basisShelf	shelfNodeName	DisplayString	SNMP	read-write
VISM-SESSION-MIB.vismRudpSessionNum	vismRudpSessionConfEntry	vismRudpSessionNum	INTEGER	SNMP, LocalDB	read-only

Table A-263 trapRudpSessionActive Class Attributes (continued)

VISM-SESSION-MIB.vismRudpSessionState	vismRudpSessionConfEntry	vismRudpSessionState	INTEGER	SNMP	read-only
VISM-SESSION-MIB.vismSessionGrpNum	vismSessionGrpEntry	vismSessionGrpNum	INTEGER	SNMP, LocalDB	read-only
VISM-SESSION-MIB.vismSessionGrpState	vismSessionGrpEntry	vismSessionGrpState	INTEGER	SNMP	read-only
VISM-SESSION-MIB.vismSessionSetNum	vismSessionSetEntry	vismSessionSetNum	INTEGER	SNMP, LocalDB	read-only
VISM-SESSION-MIB.vismSessionSetState	vismSessionSetEntry	vismSessionSetState	INTEGER	SNMP	read-only

trapSessionGrpOos Class

Table A-264 trapSessionGrpOos Class Attributes

Name	Module	Object	Type	Section	Access
BASIS-GENERIC-MIB.functionModuleType	cardInformation	functionModuleType	INTEGER	SNMP	read-only
BASIS-GENERIC-MIB.moduleSlotNumber	cardInformation	moduleSlotNumber	INTEGER	SNMP	read-only
BASIS-GENERIC-MIB.moduleTrapAlarmSeverity	cardInformation	moduleTrapAlarmSeverity	INTEGER	SNMP	read-only
BASIS-SHELF-MIB.shelfNodeName	basisShelf	shelfNodeName	DisplayString	SNMP	read-write
VISM-SESSION-MIB.vismRudpSessionNum	vismRudpSessionConfEntry	vismRudpSessionNum	INTEGER	SNMP, LocalDB	read-only
VISM-SESSION-MIB.vismRudpSessionState	vismRudpSessionConfEntry	vismRudpSessionState	INTEGER	SNMP	read-only
VISM-SESSION-MIB.vismSessionGrpNum	vismSessionGrpEntry	vismSessionGrpNum	INTEGER	SNMP, LocalDB	read-only
VISM-SESSION-MIB.vismSessionGrpState	vismSessionGrpEntry	vismSessionGrpState	INTEGER	SNMP	read-only
VISM-SESSION-MIB.vismSessionSetNum	vismSessionSetEntry	vismSessionSetNum	INTEGER	SNMP, LocalDB	read-only
VISM-SESSION-MIB.vismSessionSetState	vismSessionSetEntry	vismSessionSetState	INTEGER	SNMP	read-only

trapSessionGrpls Class

Table A-265 trapSessionGrpls Class Attributes

Name	Module	Object	Type	Section	Access
BASIS-GENERIC-MIB.functionModuleType	cardInformation	functionModuleType	INTEGER	SNMP	read-only
BASIS-GENERIC-MIB.moduleSlotNumber	cardInformation	moduleSlotNumber	INTEGER	SNMP	read-only
BASIS-GENERIC-MIB.moduleTrapAlarmSeverity	cardInformation	moduleTrapAlarmSeverity	INTEGER	SNMP	read-only
BASIS-SHELF-MIB.shelfNodeName	basisShelf	shelfNodeName	DisplayString	SNMP	read-write
VISM-SESSION-MIB.vismRudpSessionNum	vismRudpSessionConfEntry	vismRudpSessionNum	INTEGER	SNMP, LocalDB	read-only
VISM-SESSION-MIB.vismRudpSessionState	vismRudpSessionConfEntry	vismRudpSessionState	INTEGER	SNMP	read-only
VISM-SESSION-MIB.vismSessionGrpNum	vismSessionGrpEntry	vismSessionGrpNum	INTEGER	SNMP, LocalDB	read-only
VISM-SESSION-MIB.vismSessionGrpState	vismSessionGrpEntry	vismSessionGrpState	INTEGER	SNMP	read-only
VISM-SESSION-MIB.vismSessionSetNum	vismSessionSetEntry	vismSessionSetNum	INTEGER	SNMP, LocalDB	read-only
VISM-SESSION-MIB.vismSessionSetState	vismSessionSetEntry	vismSessionSetState	INTEGER	SNMP	read-only

trapSessionSetOos Class

Table A-266 trapSessionSetOos Class Attributes

Name	Module	Object	Type	Section	Access
BASIS-GENERIC-MIB.functionModuleType	cardInformation	functionModuleType	INTEGER	SNMP	read-only
BASIS-GENERIC-MIB.moduleSlotNumber	cardInformation	moduleSlotNumber	INTEGER	SNMP	read-only
BASIS-GENERIC-MIB.moduleTrapAlarmSeverity	cardInformation	moduleTrapAlarmSeverity	INTEGER	SNMP	read-only
BASIS-SHELF-MIB.shelfNodeName	basisShelf	shelfNodeName	DisplayString	SNMP	read-write
VISM-SESSION-MIB.vismRudpSessionNum	vismRudpSessionConfEntry	vismRudpSessionNum	INTEGER	SNMP, LocalDB	read-only

Table A-266 trapSessionSetOos Class Attributes (continued)

VISM-SESSION-MIB.vismRudpSessionState	vismRudpSessionConfEntry	vismRudpSessionState	INTEGER	SNMP	read-only
VISM-SESSION-MIB.vismSessionGrpNum	vismSessionGrpEntry	vismSessionGrpNum	INTEGER	SNMP, LocalDB	read-only
VISM-SESSION-MIB.vismSessionGrpState	vismSessionGrpEntry	vismSessionGrpState	INTEGER	SNMP	read-only
VISM-SESSION-MIB.vismSessionSetNum	vismSessionSetEntry	vismSessionSetNum	INTEGER	SNMP, LocalDB	read-only
VISM-SESSION-MIB.vismSessionSetState	vismSessionSetEntry	vismSessionSetState	INTEGER	SNMP	read-only

trapSessionSetActives Class

Table A-267 trapSessionSetActives Class Attributes

Name	Module	Object	Type	Section	Access
BASIS-GENERIC-MIB.functionModuleType	cardInformation	functionModuleType	INTEGER	SNMP	read-only
BASIS-GENERIC-MIB.moduleSlotNumber	cardInformation	moduleSlotNumber	INTEGER	SNMP	read-only
BASIS-GENERIC-MIB.moduleTrapAlarmSeverity	cardInformation	moduleTrapAlarmSeverity	INTEGER	SNMP	read-only
BASIS-SHELF-MIB.shelfNodeName	basisShelf	shelfNodeName	DisplayString	SNMP	read-write
VISM-SESSION-MIB.vismRudpSessionNum	vismRudpSessionConfEntry	vismRudpSessionNum	INTEGER	SNMP, LocalDB	read-only
VISM-SESSION-MIB.vismRudpSessionState	vismRudpSessionConfEntry	vismRudpSessionState	INTEGER	SNMP	read-only
VISM-SESSION-MIB.vismSessionGrpNum	vismSessionGrpEntry	vismSessionGrpNum	INTEGER	SNMP, LocalDB	read-only
VISM-SESSION-MIB.vismSessionGrpState	vismSessionGrpEntry	vismSessionGrpState	INTEGER	SNMP	read-only
VISM-SESSION-MIB.vismSessionSetNum	vismSessionSetEntry	vismSessionSetNum	INTEGER	SNMP, LocalDB	read-only
VISM-SESSION-MIB.vismSessionSetState	vismSessionSetEntry	vismSessionSetState	INTEGER	SNMP	read-only

trapSessionSetStandbyIs Class

Table A-268 trapSessionSetStandbyIs Class Attributes

Name	Module	Object	Type	Section	Access
BASIS-GENERIC-MIB.functionModuleType	cardInformation	functionModuleType	INTEGER	SNMP	read-only
BASIS-GENERIC-MIB.moduleSlotNumber	cardInformation	moduleSlotNumber	INTEGER	SNMP	read-only
BASIS-GENERIC-MIB.moduleTrapAlarmSeverity	cardInformation	moduleTrapAlarmSeverity	INTEGER	SNMP	read-only
BASIS-SHELF-MIB.shelfNodeName	basisShelf	shelfNodeName	DisplayString	SNMP	read-write
VISM-SESSION-MIB.vismRudpSessionNum	vismRudpSessionConfEntry	vismRudpSessionNum	INTEGER	SNMP, LocalDB	read-only
VISM-SESSION-MIB.vismRudpSessionState	vismRudpSessionConfEntry	vismRudpSessionState	INTEGER	SNMP	read-only
VISM-SESSION-MIB.vismSessionGrpNum	vismSessionGrpEntry	vismSessionGrpNum	INTEGER	SNMP, LocalDB	read-only
VISM-SESSION-MIB.vismSessionGrpState	vismSessionGrpEntry	vismSessionGrpState	INTEGER	SNMP	read-only
VISM-SESSION-MIB.vismSessionSetNum	vismSessionSetEntry	vismSessionSetNum	INTEGER	SNMP, LocalDB	read-only
VISM-SESSION-MIB.vismSessionSetState	vismSessionSetEntry	vismSessionSetState	INTEGER	SNMP	read-only

trapSessionSetFullIs Class

Table A-269 trapSessionSetFullIs Class Attributes

Name	Module	Object	Type	Section	Access
BASIS-GENERIC-MIB.functionModuleType	cardInformation	functionModuleType	INTEGER	SNMP	read-only
BASIS-GENERIC-MIB.moduleSlotNumber	cardInformation	moduleSlotNumber	INTEGER	SNMP	read-only
BASIS-GENERIC-MIB.moduleTrapAlarmSeverity	cardInformation	moduleTrapAlarmSeverity	INTEGER	SNMP	read-only
BASIS-SHELF-MIB.shelfNodeName	basisShelf	shelfNodeName	DisplayString	SNMP	read-write
VISM-SESSION-MIB.vismRudpSessionNum	vismRudpSessionConfEntry	vismRudpSessionNum	INTEGER	SNMP, LocalDB	read-only

Table A-269 trapSessionSetFullIs Class Attributes (continued)

VISM-SESSION-MIB.vismRudpSessionState	vismRudpSessionConfEntry	vismRudpSessionState	INTEGER	SNMP	read-only
VISM-SESSION-MIB.vismSessionGrpNum	vismSessionGrpEntry	vismSessionGrpNum	INTEGER	SNMP, LocalDB	read-only
VISM-SESSION-MIB.vismSessionGrpState	vismSessionGrpEntry	vismSessionGrpState	INTEGER	SNMP	read-only
VISM-SESSION-MIB.vismSessionSetNum	vismSessionSetEntry	vismSessionSetNum	INTEGER	SNMP, LocalDB	read-only
VISM-SESSION-MIB.vismSessionSetState	vismSessionSetEntry	vismSessionSetState	INTEGER	SNMP	read-only

trapLapDlcAdded Class

Table A-270 trapLapDlcAdded Class Attributes

Name	Module	Object	Type	Section	Access
BASIS-GENERIC-MIB.functionModuleType	cardInformation	functionModuleType	INTEGER	SNMP	read-only
BASIS-GENERIC-MIB.moduleSlotNumber	cardInformation	moduleSlotNumber	INTEGER	SNMP	read-only
BASIS-GENERIC-MIB.moduleTrapAlarmSeverity	cardInformation	moduleTrapAlarmSeverity	INTEGER	SNMP	read-only
BASIS-SHELF-MIB.shelfNodeName	basisShelf	shelfNodeName	DisplayString	SNMP	read-write
VISM-LAPD-MIB.vismLapDlcIndex	vismLapDlcEntry	vismLapDlcIndex	INTEGER	SNMP	read-only
VISM-LAPD-MIB.vismLapDlcSapi	vismLapDlcEntry	vismLapDlcSapi	INTEGER	SNMP	read-only
VISM-LAPD-MIB.vismLapDlcTei	vismLapDlcEntry	vismLapDlcTei	INTEGER	SNMP	read-only

trapLapDlcDeleted Class

Table A-271 trapLapDlcDeleted Class Attributes

Name	Module	Object	Type	Section	Access
BASIS-GENERIC-MIB.functionModuleType	cardInformation	functionModuleType	INTEGER	SNMP	read-only

Table A-271 trapLapDlcDeleted Class Attributes (continued)

BASIS-GENERIC-MIB.moduleSlotNumber	cardInformation	moduleSlotNumber	INTEGER	SNMP	read-only
BASIS-GENERIC-MIB.moduleTrapAlarmSeverity	cardInformation	moduleTrapAlarmSeverity	INTEGER	SNMP	read-only
BASIS-SHELF-MIB.shelfNodeName	basisShelf	shelfNodeName	DisplayString	SNMP	read-write
VISM-LAPD-MIB.vismLapDlcIndex	vismLapDlcEntry	vismLapDlcIndex	INTEGER	SNMP	read-only
VISM-LAPD-MIB.vismLapDlcSapi	vismLapDlcEntry	vismLapDlcSapi	INTEGER	SNMP	read-only
VISM-LAPD-MIB.vismLapDlcTei	vismLapDlcEntry	vismLapDlcTei	INTEGER	SNMP	read-only

trapLapDlcUp Class

Table A-272 trapLapDlcUp Class Attributes

Name	Module	Object	Type	Section	Access
BASIS-GENERIC-MIB.functionModuleType	cardInformation	functionModuleType	INTEGER	SNMP	read-only
BASIS-GENERIC-MIB.moduleSlotNumber	cardInformation	moduleSlotNumber	INTEGER	SNMP	read-only
BASIS-GENERIC-MIB.moduleTrapAlarmSeverity	cardInformation	moduleTrapAlarmSeverity	INTEGER	SNMP	read-only
BASIS-SHELF-MIB.shelfNodeName	basisShelf	shelfNodeName	DisplayString	SNMP	read-write
VISM-LAPD-MIB.vismLapDlcIndex	vismLapDlcEntry	vismLapDlcIndex	INTEGER	SNMP	read-only
VISM-LAPD-MIB.vismLapDlcSapi	vismLapDlcEntry	vismLapDlcSapi	INTEGER	SNMP	read-only
VISM-LAPD-MIB.vismLapDlcTei	vismLapDlcEntry	vismLapDlcTei	INTEGER	SNMP	read-only

trapLapDlcDown Class

Table A-273 trapLapDlcDown Class Attributes

Name	Module	Object	Type	Section	Access
BASIS-GENERIC-MIB.functionModuleType	cardInformation	functionModuleType	INTEGER	SNMP	read-only
BASIS-GENERIC-MIB.moduleSlotNumber	cardInformation	moduleSlotNumber	INTEGER	SNMP	read-only
BASIS-GENERIC-MIB.moduleTrapAlarmSeverity	cardInformation	moduleTrapAlarmSeverity	INTEGER	SNMP	read-only
BASIS-SHELF-MIB.shelfNodeName	basisShelf	shelfNodeName	DisplayString	SNMP	read-write
VISM-LAPD-MIB.vismLapDlcIndex	vismLapDlcEntry	vismLapDlcIndex	INTEGER	SNMP	read-only
VISM-LAPD-MIB.vismLapDlcSapi	vismLapDlcEntry	vismLapDlcSapi	INTEGER	SNMP	read-only
VISM-LAPD-MIB.vismLapDlcTei	vismLapDlcEntry	vismLapDlcTei	INTEGER	SNMP	read-only

persistentXgcpEventCreated Class

Table A-274 persistentXgcpEventCreated Class Attributes

Name	Module	Object	Type	Section	Access
BASIS-GENERIC-MIB.functionModuleType	cardInformation	functionModuleType	INTEGER	SNMP	read-only
BASIS-GENERIC-MIB.moduleSlotNumber	cardInformation	moduleSlotNumber	INTEGER	SNMP	read-only
BASIS-GENERIC-MIB.moduleTrapAlarmSeverity	cardInformation	moduleTrapAlarmSeverity	INTEGER	SNMP	read-only
BASIS-SHELF-MIB.shelfNodeName	basisShelf	shelfNodeName	DisplayString	SNMP	read-write
CISCO-WAN-AXIPOP-MIB.vismTrapIntIndex1	vismTrapObjGrp	vismTrapIntIndex1	INTEGER	SNMP	read-only
CISCO-WAN-PERSISTENT-XGCP-EVENTS-MIB.persistentXgcpEventName	persistentXgcpEventsEntry	persistentXgcpEventName	DisplayString	SNMP	read-write

persistentXgcpEventDeleted Class

Table A-275 *persistentXgcpEventDeleted Class Attributes*

Name	Module	Object	Type	Section	Access
BASIS-GENERIC-MIB.functionModuleType	cardInformation	functionModuleType	INTEGER	SNMP	read-only
BASIS-GENERIC-MIB.moduleSlotNumber	cardInformation	moduleSlotNumber	INTEGER	SNMP	read-only
BASIS-GENERIC-MIB.moduleTrapAlarmSeverity	cardInformation	moduleTrapAlarmSeverity	INTEGER	SNMP	read-only
BASIS-SHELF-MIB.shelfNodeName	basisShelf	shelfNodeName	DisplayString	SNMP	read-write
CISCO-WAN-AXIPOP-MIB.vismTrapIntIndex1	vismTrapObjGrp	vismTrapIntIndex1	INTEGER	SNMP	read-only
CISCO-WAN-PERSISTENT-XGCP-EVENTS-MIB.persistentXgcpEventName	persistentXgcpEventsEntry	persistentXgcpEventName	DisplayString	SNMP	read-write

mgDomainNameAdded Class

Table A-276 *mgDomainNameAdded Class Attributes*

Name	Module	Object	Type	Section	Access
BASIS-GENERIC-MIB.functionModuleType	cardInformation	functionModuleType	INTEGER	SNMP	read-only
BASIS-GENERIC-MIB.moduleSlotNumber	cardInformation	moduleSlotNumber	INTEGER	SNMP	read-only
BASIS-GENERIC-MIB.moduleTrapAlarmSeverity	cardInformation	moduleTrapAlarmSeverity	INTEGER	SNMP	read-only
BASIS-SHELF-MIB.shelfNodeName	basisShelf	shelfNodeName	DisplayString	SNMP	read-write
CISCO-WAN-AXIPOP-MIB.vismTrapIntIndex1	vismTrapObjGrp	vismTrapIntIndex1	INTEGER	SNMP	read-only
CISCO-WAN-MG-MIB.mgDomainName	mgDomainNameEntry	mgDomainName	DisplayString	SNMP	read-write

mgDomainNameDeleted Class

Table A-277 mgDomainNameDeleted Class Attributes

Name	Module	Object	Type	Section	Access
BASIS-GENERIC-MIB.functionModuleType	cardInformation	functionModuleType	INTEGER	SNMP	read-only
BASIS-GENERIC-MIB.moduleSlotNumber	cardInformation	moduleSlotNumber	INTEGER	SNMP	read-only
BASIS-GENERIC-MIB.moduleTrapAlarmSeverity	cardInformation	moduleTrapAlarmSeverity	INTEGER	SNMP	read-only
BASIS-SHELF-MIB.shelfNodeName	basisShelf	shelfNodeName	DisplayString	SNMP	read-write
CISCO-WAN-AXIPOP-MIB.vismTrapIntIndex1	vismTrapObjGrp	vismTrapIntIndex1	INTEGER	SNMP	read-only
CISCO-WAN-MG-MIB.mgDomainName	mgDomainNameEntry	mgDomainName	DisplayString	SNMP	read-write

vismTonePlanAdded Class

Table A-278 vismTonePlanAdded Class Attributes

Name	Module	Object	Type	Section	Access
BASIS-GENERIC-MIB.functionModuleType	cardInformation	functionModuleType	INTEGER	SNMP	read-only
BASIS-GENERIC-MIB.moduleSlotNumber	cardInformation	moduleSlotNumber	INTEGER	SNMP	read-only
BASIS-GENERIC-MIB.moduleTrapAlarmSeverity	cardInformation	moduleTrapAlarmSeverity	INTEGER	SNMP	read-only
BASIS-SHELF-MIB.shelfNodeName	basisShelf	shelfNodeName	DisplayString	SNMP	read-write
CISCO-WAN-AXIPOP-MIB.vismTrapIntIndex1	vismTrapObjGrp	vismTrapIntIndex1	INTEGER	SNMP	read-only
CISCO-WAN-VISM-TONE-PLAN-MIB.tonePlanRegionName	vismTonePlanEntry	tonePlanRegionName	DisplayString	SNMP	read-write

vismTonePlanDeleted Class

Table A-279 vismTonePlanDeleted Class Attributes

Name	Module	Object	Type	Section	Access
BASIS-GENERIC-MIB.functionModuleType	cardInformation	functionModuleType	INTEGER	SNMP	read-only
BASIS-GENERIC-MIB.moduleSlotNumber	cardInformation	moduleSlotNumber	INTEGER	SNMP	read-only
BASIS-GENERIC-MIB.moduleTrapAlarmSeverity	cardInformation	moduleTrapAlarmSeverity	INTEGER	SNMP	read-only
BASIS-SHELF-MIB.shelfNodeName	basisShelf	shelfNodeName	DisplayString	SNMP	read-write
CISCO-WAN-AXIPOP-MIB.vismTrapIntIndex1	vismTrapObjGrp	vismTrapIntIndex1	INTEGER	SNMP	read-only
CISCO-WAN-VISM-TONE-PLAN-MIB.tonePlanRegionName	vismTonePlanEntry	tonePlanRegionName	DisplayString	SNMP	read-write

vismRtpConnAdded Class

Table A-280 vismRtpConnAdded Class Attributes

Name	Module	Object	Type	Section	Access
BASIS-GENERIC-MIB.functionModuleType	cardInformation	functionModuleType	INTEGER	SNMP	read-only
BASIS-GENERIC-MIB.moduleSlotNumber	cardInformation	moduleSlotNumber	INTEGER	SNMP	read-only
BASIS-GENERIC-MIB.moduleTrapAlarmSeverity	cardInformation	moduleTrapAlarmSeverity	INTEGER	SNMP	read-only
BASIS-SHELF-MIB.shelfNodeName	basisShelf	shelfNodeName	DisplayString	SNMP	read-write
CISCO-WAN-AXIPOP-MIB.vismTrapIntIndex1	vismTrapObjGrp	vismTrapIntIndex1	INTEGER	SNMP	read-only
CISCO-WAN-VISM-TONE-PLAN-MIB.tonePlanRegionName	vismTonePlanEntry	tonePlanRegionName	DisplayString	SNMP	read-write

vismRtpConnDeleted Class

Table A-281 vismRtpConnDeleted Class Attributes

Name	Module	Object	Type	Section	Access
BASIS-GENERIC-MIB.functionModuleType	cardInformation	functionModuleType	INTEGER	SNMP	read-only
BASIS-GENERIC-MIB.moduleSlotNumber	cardInformation	moduleSlotNumber	INTEGER	SNMP	read-only
BASIS-GENERIC-MIB.moduleTrapAlarmSeverity	cardInformation	moduleTrapAlarmSeverity	INTEGER	SNMP	read-only
BASIS-SHELF-MIB.shelfNodeName	basisShelf	shelfNodeName	DisplayString	SNMP	read-write
CISCO-WAN-AXIPOP-MIB.vismTrapIntIndex1	vismTrapObjGrp	vismTrapIntIndex1	INTEGER	SNMP	read-only
CISCO-WAN-VISM-TONE-PLAN-MIB.tonePlanRegionName	vismTonePlanEntry	tonePlanRegionName	DisplayString	SNMP	read-write

vismRtpConnStateChg Class

Table A-282 vismRtpConnStateChg Class Attributes

Name	Module	Object	Type	Section	Access
BASIS-GENERIC-MIB.functionModuleType	cardInformation	functionModuleType	INTEGER	SNMP	read-only
BASIS-GENERIC-MIB.moduleSlotNumber	cardInformation	moduleSlotNumber	INTEGER	SNMP	read-only
BASIS-GENERIC-MIB.moduleTrapAlarmSeverity	cardInformation	moduleTrapAlarmSeverity	INTEGER	SNMP	read-only
BASIS-SHELF-MIB.shelfNodeName	basisShelf	shelfNodeName	DisplayString	SNMP	read-write
CISCO-WAN-AXIPOP-MIB.vismTrapIntIndex1	vismTrapObjGrp	vismTrapIntIndex1	INTEGER	SNMP	read-only
CISCO-WAN-VISM-TONE-PLAN-MIB.tonePlanRegionName	vismTonePlanEntry	tonePlanRegionName	DisplayString	SNMP	read-write

vismLapdTrStatels Class

Table A-283 vismLapdTrStatels Class Attributes

Name	Module	Object	Type	Section	Access
BASIS-GENERIC-MIB.functionModuleType	cardInformation	functionModuleType	INTEGER	SNMP	read-only
BASIS-GENERIC-MIB.moduleSlotNumber	cardInformation	moduleSlotNumber	INTEGER	SNMP	read-only
BASIS-GENERIC-MIB.moduleTrapAlarmSeverity	cardInformation	moduleTrapAlarmSeverity	INTEGER	SNMP	read-only
BASIS-SHELF-MIB.shelfNodeName	basisShelf	shelfNodeName	DisplayString	SNMP	read-write
CISCO-WAN-AXIPOP-MIB.vismTrapIntIndex1	vismTrapObjGrp	vismTrapIntIndex1	INTEGER	SNMP	read-only
CISCO-WAN-VISM-TONE-PLAN-MIB.tonePlanRegionName	vismTonePlanEntry	tonePlanRegionName	DisplayString	SNMP	read-write

vismLapdTrStateOos Class

Table A-284 vismLapdTrStateOos Class Attributes

Name	Module	Object	Type	Section	Access
BASIS-GENERIC-MIB.functionModuleType	cardInformation	functionModuleType	INTEGER	SNMP	read-only
BASIS-GENERIC-MIB.moduleSlotNumber	cardInformation	moduleSlotNumber	INTEGER	SNMP	read-only
BASIS-GENERIC-MIB.moduleTrapAlarmSeverity	cardInformation	moduleTrapAlarmSeverity	INTEGER	SNMP	read-only
BASIS-SHELF-MIB.shelfNodeName	basisShelf	shelfNodeName	DisplayString	SNMP	read-write
CISCO-WAN-AXIPOP-MIB.vismTrapIntIndex1	vismTrapObjGrp	vismTrapIntIndex1	INTEGER	SNMP	read-only
CISCO-WAN-VISM-TONE-PLAN-MIB.tonePlanRegionName	vismTonePlanEntry	tonePlanRegionName	DisplayString	SNMP	read-write

vismLapdTrunkAdded Class

Table A-285 vismLapdTrunkAdded Class Attributes

Name	Module	Object	Type	Section	Access
BASIS-GENERIC-MIB.functionModuleType	cardInformation	functionModuleType	INTEGER	SNMP	read-only
BASIS-GENERIC-MIB.moduleSlotNumber	cardInformation	moduleSlotNumber	INTEGER	SNMP	read-only
BASIS-GENERIC-MIB.moduleTrapAlarmSeverity	cardInformation	moduleTrapAlarmSeverity	INTEGER	SNMP	read-only
BASIS-SHELF-MIB.shelfNodeName	basisShelf	shelfNodeName	DisplayString	SNMP	read-write
CISCO-WAN-AXIPOP-MIB.vismTrapIntIndex1	vismTrapObjGrp	vismTrapIntIndex1	INTEGER	SNMP	read-only
CISCO-WAN-VISM-TONE-PLAN-MIB.tonePlanRegionName	vismTonePlanEntry	tonePlanRegionName	DisplayString	SNMP	read-write

vismLapdTrunkDeleted Class

Table A-286 vismLapdTrunkDeleted Class Attributes

Name	Module	Object	Type	Section	Access
BASIS-GENERIC-MIB.functionModuleType	cardInformation	functionModuleType	INTEGER	SNMP	read-only
BASIS-GENERIC-MIB.moduleSlotNumber	cardInformation	moduleSlotNumber	INTEGER	SNMP	read-only
BASIS-GENERIC-MIB.moduleTrapAlarmSeverity	cardInformation	moduleTrapAlarmSeverity	INTEGER	SNMP	read-only
BASIS-SHELF-MIB.shelfNodeName	basisShelf	shelfNodeName	DisplayString	SNMP	read-write
CISCO-WAN-AXIPOP-MIB.vismTrapIntIndex1	vismTrapObjGrp	vismTrapIntIndex1	INTEGER	SNMP	read-only
CISCO-WAN-VISM-TONE-PLAN-MIB.tonePlanRegionName	vismTonePlanEntry	tonePlanRegionName	DisplayString	SNMP	read-write

mgcRedundancyGrpAdded Class

Table A-287 *mgcRedundancyGrpAdded Class Attributes*

Name	Module	Object	Type	Section	Access
BASIS-GENERIC-MIB.functionModuleType	cardInformation	functionModuleType	INTEGER	SNMP	read-only
BASIS-GENERIC-MIB.moduleSlotNumber	cardInformation	moduleSlotNumber	INTEGER	SNMP	read-only
BASIS-GENERIC-MIB.moduleTrapAlarmSeverity	cardInformation	moduleTrapAlarmSeverity	INTEGER	SNMP	read-only
BASIS-SHELF-MIB.shelfNodeName	basisShelf	shelfNodeName	DisplayString	SNMP	read-write
CISCO-WAN-AXIPOP-MIB.vismTrapIntIndex1	vismTrapObjGrp	vismTrapIntIndex1	INTEGER	SNMP	read-only
CISCO-WAN-AXIPOP-MIB.vismTrapIntIndex2	vismTrapObjGrp	vismTrapIntIndex2	INTEGER	SNMP	read-only

mgcRedundancyGrpDeleted Class

Table A-288 *mgcRedundancyGrpDeleted Class Attributes*

Name	Module	Object	Type	Section	Access
BASIS-GENERIC-MIB.functionModuleType	cardInformation	functionModuleType	INTEGER	SNMP	read-only
BASIS-GENERIC-MIB.moduleSlotNumber	cardInformation	moduleSlotNumber	INTEGER	SNMP	read-only
BASIS-GENERIC-MIB.moduleTrapAlarmSeverity	cardInformation	moduleTrapAlarmSeverity	INTEGER	SNMP	read-only
BASIS-SHELF-MIB.shelfNodeName	basisShelf	shelfNodeName	DisplayString	SNMP	read-write
CISCO-WAN-AXIPOP-MIB.vismTrapIntIndex1	vismTrapObjGrp	vismTrapIntIndex1	INTEGER	SNMP	read-only
CISCO-WAN-AXIPOP-MIB.vismTrapIntIndex2	vismTrapObjGrp	vismTrapIntIndex2	INTEGER	SNMP	read-only

mgcRedundancyGrpCommOk Class

Table A-289 mgcRedundancyGrpCommOk Class Attributes

Name	Module	Object	Type	Section	Access
BASIS-GENERIC-MIB.functionModuleType	cardInformation	functionModuleType	INTEGER	SNMP	read-only
BASIS-GENERIC-MIB.moduleSlotNumber	cardInformation	moduleSlotNumber	INTEGER	SNMP	read-only
BASIS-GENERIC-MIB.moduleTrapAlarmSeverity	cardInformation	moduleTrapAlarmSeverity	INTEGER	SNMP	read-only
BASIS-SHELF-MIB.shelfNodeName	basisShelf	shelfNodeName	DisplayString	SNMP	read-write
CISCO-WAN-AXIPOP-MIB.vismTrapIntIndex1	vismTrapObjGrp	vismTrapIntIndex1	INTEGER	SNMP	read-only
CISCO-WAN-AXIPOP-MIB.vismTrapIntIndex2	vismTrapObjGrp	vismTrapIntIndex2	INTEGER	SNMP	read-only

mgcRedundancyGrpCommLoss Class

Table A-290 mgcRedundancyGrpCommLoss Class Attributes

Name	Module	Object	Type	Section	Access
BASIS-GENERIC-MIB.functionModuleType	cardInformation	functionModuleType	INTEGER	SNMP	read-only
BASIS-GENERIC-MIB.moduleSlotNumber	cardInformation	moduleSlotNumber	INTEGER	SNMP	read-only
BASIS-GENERIC-MIB.moduleTrapAlarmSeverity	cardInformation	moduleTrapAlarmSeverity	INTEGER	SNMP	read-only
BASIS-SHELF-MIB.shelfNodeName	basisShelf	shelfNodeName	DisplayString	SNMP	read-write
CISCO-WAN-AXIPOP-MIB.vismTrapIntIndex1	vismTrapObjGrp	vismTrapIntIndex1	INTEGER	SNMP	read-only
CISCO-WAN-AXIPOP-MIB.vismTrapIntIndex2	vismTrapObjGrp	vismTrapIntIndex2	INTEGER	SNMP	read-only

mgcActiveInGrp Class

Table A-291 mgcActiveInGrp Class Attributes

Name	Module	Object	Type	Section	Access
BASIS-GENERIC-MIB.functionModuleType	cardInformation	functionModuleType	INTEGER	SNMP	read-only
BASIS-GENERIC-MIB.moduleSlotNumber	cardInformation	moduleSlotNumber	INTEGER	SNMP	read-only
BASIS-GENERIC-MIB.moduleTrapAlarmSeverity	cardInformation	moduleTrapAlarmSeverity	INTEGER	SNMP	read-only
BASIS-SHELF-MIB.shelfNodeName	basisShelf	shelfNodeName	DisplayString	SNMP	read-write
CISCO-WAN-AXIPOP-MIB.vismTrapIntIndex1	vismTrapObjGrp	vismTrapIntIndex1	INTEGER	SNMP	read-only
CISCO-WAN-AXIPOP-MIB.vismTrapIntIndex2	vismTrapObjGrp	vismTrapIntIndex2	INTEGER	SNMP	read-only

mgcInactiveInGrp Class

Table A-292 mgcInactiveInGrp Class Attributes

Name	Module	Object	Type	Section	Access
BASIS-GENERIC-MIB.functionModuleType	cardInformation	functionModuleType	INTEGER	SNMP	read-only
BASIS-GENERIC-MIB.moduleSlotNumber	cardInformation	moduleSlotNumber	INTEGER	SNMP	read-only
BASIS-GENERIC-MIB.moduleTrapAlarmSeverity	cardInformation	moduleTrapAlarmSeverity	INTEGER	SNMP	read-only
BASIS-SHELF-MIB.shelfNodeName	basisShelf	shelfNodeName	DisplayString	SNMP	read-write
CISCO-WAN-AXIPOP-MIB.vismTrapIntIndex1	vismTrapObjGrp	vismTrapIntIndex1	INTEGER	SNMP	read-only
CISCO-WAN-AXIPOP-MIB.vismTrapIntIndex2	vismTrapObjGrp	vismTrapIntIndex2	INTEGER	SNMP	read-only

mgcRedundancyGrpProtocolAdded Class

Table A-293 mgcRedundancyGrpProtocolAdded Class Attributes

Name	Module	Object	Type	Section	Access
BASIS-GENERIC-MIB.functionModuleType	cardInformation	functionModuleType	INTEGER	SNMP	read-only
BASIS-GENERIC-MIB.moduleSlotNumber	cardInformation	moduleSlotNumber	INTEGER	SNMP	read-only
BASIS-GENERIC-MIB.moduleTrapAlarmSeverity	cardInformation	moduleTrapAlarmSeverity	INTEGER	SNMP	read-only
BASIS-SHELF-MIB.shelfNodeName	basisShelf	shelfNodeName	DisplayString	SNMP	read-write
CISCO-WAN-AXIPOP-MIB.vismTrapIntIndex1	vismTrapObjGrp	vismTrapIntIndex1	INTEGER	SNMP	read-only
CISCO-WAN-AXIPOP-MIB.vismTrapIntIndex2	vismTrapObjGrp	vismTrapIntIndex2	INTEGER	SNMP	read-only

mgcRedundancyGrpProtocolDeleted Class

Table A-294 mgcRedundancyGrpProtocolDeleted Class Attributes

Name	Module	Object	Type	Section	Access
BASIS-GENERIC-MIB.functionModuleType	cardInformation	functionModuleType	INTEGER	SNMP	read-only
BASIS-GENERIC-MIB.moduleSlotNumber	cardInformation	moduleSlotNumber	INTEGER	SNMP	read-only
BASIS-GENERIC-MIB.moduleTrapAlarmSeverity	cardInformation	moduleTrapAlarmSeverity	INTEGER	SNMP	read-only
BASIS-SHELF-MIB.shelfNodeName	basisShelf	shelfNodeName	DisplayString	SNMP	read-write
CISCO-WAN-AXIPOP-MIB.vismTrapIntIndex1	vismTrapObjGrp	vismTrapIntIndex1	INTEGER	SNMP	read-only
CISCO-WAN-AXIPOP-MIB.vismTrapIntIndex2	vismTrapObjGrp	vismTrapIntIndex2	INTEGER	SNMP	read-only

mgcRedundancyGrpParamEntryAdded Class

Table A-295 mgcRedundancyGrpParamEntryAdded Class Attributes

Name	Module	Object	Type	Section	Access
BASIS-GENERIC-MIB.functionModuleType	cardInformation	functionModuleType	INTEGER	SNMP	read-only
BASIS-GENERIC-MIB.moduleSlotNumber	cardInformation	moduleSlotNumber	INTEGER	SNMP	read-only
BASIS-GENERIC-MIB.moduleTrapAlarmSeverity	cardInformation	moduleTrapAlarmSeverity	INTEGER	SNMP	read-only
BASIS-SHELF-MIB.shelfNodeName	basisShelf	shelfNodeName	DisplayString	SNMP	read-write
CISCO-WAN-AXIPOP-MIB.vismTrapIntIndex1	vismTrapObjGrp	vismTrapIntIndex1	INTEGER	SNMP	read-only
CISCO-WAN-AXIPOP-MIB.vismTrapIntIndex2	vismTrapObjGrp	vismTrapIntIndex2	INTEGER	SNMP	read-only

mgcRedundancyGrpParamEntryDeleted Class

Table A-296 mgcRedundancyGrpParamEntryDeleted Class Attributes

Name	Module	Object	Type	Section	Access
BASIS-GENERIC-MIB.functionModuleType	cardInformation	functionModuleType	INTEGER	SNMP	read-only
BASIS-GENERIC-MIB.moduleSlotNumber	cardInformation	moduleSlotNumber	INTEGER	SNMP	read-only
BASIS-GENERIC-MIB.moduleTrapAlarmSeverity	cardInformation	moduleTrapAlarmSeverity	INTEGER	SNMP	read-only
BASIS-SHELF-MIB.shelfNodeName	basisShelf	shelfNodeName	DisplayString	SNMP	read-write
CISCO-WAN-AXIPOP-MIB.vismTrapIntIndex1	vismTrapObjGrp	vismTrapIntIndex1	INTEGER	SNMP	read-only
CISCO-WAN-AXIPOP-MIB.vismTrapIntIndex2	vismTrapObjGrp	vismTrapIntIndex2	INTEGER	SNMP	read-only

peerGrpHeartbeatLost Class

Table A-297 peerGrpHeartbeatLost Class Attributes

Name	Module	Object	Type	Section	Access
BASIS-GENERIC-MIB.functionModuleType	cardInformation	functionModuleType	INTEGER	SNMP	read-only
BASIS-GENERIC-MIB.moduleSlotNumber	cardInformation	moduleSlotNumber	INTEGER	SNMP	read-only
BASIS-GENERIC-MIB.moduleTrapAlarmSeverity	cardInformation	moduleTrapAlarmSeverity	INTEGER	SNMP	read-only
BASIS-SHELF-MIB.shelfNodeName	basisShelf	shelfNodeName	DisplayString	SNMP	read-write
CISCO-WAN-AXIPOP-MIB.vismTrapIntIndex1	vismTrapObjGrp	vismTrapIntIndex1	INTEGER	SNMP	read-only
CISCO-WAN-SRCP-MIB.srcpPeerGrpTimeSinceHeartbeat	srcpPeerGrpParamEntry	srcpPeerGrpTimeSinceHeartbeat	Integer32	SNMP	read-only

peerGrpHeartbeatDetected Class

Table A-298 peerGrpHeartbeatDetected Class Attributes

Name	Module	Object	Type	Section	Access
BASIS-GENERIC-MIB.functionModuleType	cardInformation	functionModuleType	INTEGER	SNMP	read-only
BASIS-GENERIC-MIB.moduleSlotNumber	cardInformation	moduleSlotNumber	INTEGER	SNMP	read-only
BASIS-GENERIC-MIB.moduleTrapAlarmSeverity	cardInformation	moduleTrapAlarmSeverity	INTEGER	SNMP	read-only
BASIS-SHELF-MIB.shelfNodeName	basisShelf	shelfNodeName	DisplayString	SNMP	read-write
CISCO-WAN-AXIPOP-MIB.vismTrapIntIndex1	vismTrapObjGrp	vismTrapIntIndex1	INTEGER	SNMP	read-only
CISCO-WAN-SRCP-MIB.srcpPeerGrpTimeSinceHeartbeat	srcpPeerGrpParamEntry	srcpPeerGrpTimeSinceHeartbeat	Integer32	SNMP	read-only

srcpPeerGrpParamEntryAdded Class

Table A-299 *srcpPeerGrpParamEntryAdded Class Attributes*

Name	Module	Object	Type	Section	Access
BASIS-GENERIC-MIB.functionModuleType	cardInformation	functionModuleType	INTEGER	SNMP	read-only
BASIS-GENERIC-MIB.moduleSlotNumber	cardInformation	moduleSlotNumber	INTEGER	SNMP	read-only
BASIS-GENERIC-MIB.moduleTrapAlarmSeverity	cardInformation	moduleTrapAlarmSeverity	INTEGER	SNMP	read-only
BASIS-SHELF-MIB.shelfNodeName	basisShelf	shelfNodeName	DisplayString	SNMP	read-write
CISCO-WAN-AXIPOP-MIB.vismTrapIntIndex1	vismTrapObjGrp	vismTrapIntIndex1	INTEGER	SNMP	read-only
CISCO-WAN-SRCP-MIB.srcpPeerGrpTimeSinceHeartbeat	srcpPeerGrpParamEntry	srcpPeerGrpTimeSinceHeartbeat	Integer32	SNMP	read-only

srcpPeerGrpParamEntryDeleted Class

Table A-300 *srcpPeerGrpParamEntryDeleted Class Attributes*

Name	Module	Object	Type	Section	Access
BASIS-GENERIC-MIB.functionModuleType	cardInformation	functionModuleType	INTEGER	SNMP	read-only
BASIS-GENERIC-MIB.moduleSlotNumber	cardInformation	moduleSlotNumber	INTEGER	SNMP	read-only
BASIS-GENERIC-MIB.moduleTrapAlarmSeverity	cardInformation	moduleTrapAlarmSeverity	INTEGER	SNMP	read-only
BASIS-SHELF-MIB.shelfNodeName	basisShelf	shelfNodeName	DisplayString	SNMP	read-write
CISCO-WAN-AXIPOP-MIB.vismTrapIntIndex1	vismTrapObjGrp	vismTrapIntIndex1	INTEGER	SNMP	read-only
CISCO-WAN-SRCP-MIB.srcpPeerGrpTimeSinceHeartbeat	srcpPeerGrpParamEntry	srcpPeerGrpTimeSinceHeartbeat	Integer32	SNMP	read-only

cwAnnFileAddStarted Class

Table A-301 cwAnnFileAddStarted Class Attributes

Name	Module	Object	Type	Section	Access
BASIS-GENERIC-MIB.functionModuleType	cardInformation	functionModuleType	INTEGER	SNMP	read-only
BASIS-GENERIC-MIB.moduleSlotNumber	cardInformation	moduleSlotNumber	INTEGER	SNMP	read-only
BASIS-GENERIC-MIB.moduleTrapAlarmSeverity	cardInformation	moduleTrapAlarmSeverity	INTEGER	SNMP	read-only
BASIS-SHELF-MIB.shelfNodeName	basisShelf	shelfNodeName	DisplayString	SNMP	read-write
CISCO-WAN-ANNOUNCEMENT-MIB.cwAnnFileCodec	cwAnnounceEntry	cwAnnFileCodec	AnnCodecType	SNMP	read-create
CISCO-WAN-ANNOUNCEMENT-MIB.cwAnnFileName	cwAnnounceEntry	cwAnnFileName	DisplayString	SNMP	read-create
CISCO-WAN-AXIPOP-MIB.vismTrapIntIndex1	vismTrapObjGrp	vismTrapIntIndex1	INTEGER	SNMP	read-only

cwAnnFileLoadComplete Class

Table A-302 cwAnnFileLoadComplete Class Attributes

Name	Module	Object	Type	Section	Access
BASIS-GENERIC-MIB.functionModuleType	cardInformation	functionModuleType	INTEGER	SNMP	read-only
BASIS-GENERIC-MIB.moduleSlotNumber	cardInformation	moduleSlotNumber	INTEGER	SNMP	read-only
BASIS-GENERIC-MIB.moduleTrapAlarmSeverity	cardInformation	moduleTrapAlarmSeverity	INTEGER	SNMP	read-only
BASIS-SHELF-MIB.shelfNodeName	basisShelf	shelfNodeName	DisplayString	SNMP	read-write
CISCO-WAN-ANNOUNCEMENT-MIB.cwAnnFileCodec	cwAnnounceEntry	cwAnnFileCodec	AnnCodecType	SNMP	read-create
CISCO-WAN-ANNOUNCEMENT-MIB.cwAnnFileName	cwAnnounceEntry	cwAnnFileName	DisplayString	SNMP	read-create
CISCO-WAN-AXIPOP-MIB.vismTrapIntIndex1	vismTrapObjGrp	vismTrapIntIndex1	INTEGER	SNMP	read-only

cwAnnFileLoadFailed Class

Table A-303 cwAnnFileLoadFailed Class Attributes

Name	Module	Object	Type	Section	Access
BASIS-GENERIC-MIB.functionModuleType	cardInformation	functionModuleType	INTEGER	SNMP	read-only
BASIS-GENERIC-MIB.moduleSlotNumber	cardInformation	moduleSlotNumber	INTEGER	SNMP	read-only
BASIS-GENERIC-MIB.moduleTrapAlarmSeverity	cardInformation	moduleTrapAlarmSeverity	INTEGER	SNMP	read-only
BASIS-SHELF-MIB.shelfNodeName	basisShelf	shelfNodeName	DisplayString	SNMP	read-write
CISCO-WAN-ANNOUNCEMENT-MIB.cwAnnFileCodec	cwAnnounceEntry	cwAnnFileCodec	AnnCodecType	SNMP	read-create
CISCO-WAN-ANNOUNCEMENT-MIB.cwAnnFileName	cwAnnounceEntry	cwAnnFileName	DisplayString	SNMP	read-create
CISCO-WAN-AXIPOP-MIB.vismTrapIntIndex1	vismTrapObjGrp	vismTrapIntIndex1	INTEGER	SNMP	read-only

cwAnnFileDeleted Class

Table A-304 cwAnnFileDeleted Class Attributes

Name	Module	Object	Type	Section	Access
BASIS-GENERIC-MIB.functionModuleType	cardInformation	functionModuleType	INTEGER	SNMP	read-only
BASIS-GENERIC-MIB.moduleSlotNumber	cardInformation	moduleSlotNumber	INTEGER	SNMP	read-only
BASIS-GENERIC-MIB.moduleTrapAlarmSeverity	cardInformation	moduleTrapAlarmSeverity	INTEGER	SNMP	read-only
BASIS-SHELF-MIB.shelfNodeName	basisShelf	shelfNodeName	DisplayString	SNMP	read-write
CISCO-WAN-ANNOUNCEMENT-MIB.cwAnnFileCodec	cwAnnounceEntry	cwAnnFileCodec	AnnCodecType	SNMP	read-create
CISCO-WAN-ANNOUNCEMENT-MIB.cwAnnFileName	cwAnnounceEntry	cwAnnFileName	DisplayString	SNMP	read-create
CISCO-WAN-AXIPOP-MIB.vismTrapIntIndex1	vismTrapObjGrp	vismTrapIntIndex1	INTEGER	SNMP	read-only

newFlow Class

Table A-305 newFlow Class Attributes

Name	Module	Object	Type	Section	Access
BASIS-GENERIC-MIB.functionModuleType	cardInformation	functionModuleType	INTEGER	SNMP	read-only
BASIS-GENERIC-MIB.moduleSlotNumber	cardInformation	moduleSlotNumber	INTEGER	SNMP	read-only
BASIS-GENERIC-MIB.moduleTrapAlarmSeverity	cardInformation	moduleTrapAlarmSeverity	INTEGER	SNMP	read-only
BASIS-SHELF-MIB.shelfNodeName	basisShelf	shelfNodeName	DisplayString	SNMP	read-write

lostFlow Class

Table A-306 lostFlow Class Attributes

Name	Module	Object	Type	Section	Access
BASIS-GENERIC-MIB.functionModuleType	cardInformation	functionModuleType	INTEGER	SNMP	read-only
BASIS-GENERIC-MIB.moduleSlotNumber	cardInformation	moduleSlotNumber	INTEGER	SNMP	read-only
BASIS-GENERIC-MIB.moduleTrapAlarmSeverity	cardInformation	moduleTrapAlarmSeverity	INTEGER	SNMP	read-only
BASIS-SHELF-MIB.shelfNodeName	basisShelf	shelfNodeName	DisplayString	SNMP	read-write

cwChassisIntegratedAlarm Class

Table A-307 cwChassisIntegratedAlarm Class Attributes

Name	Module	Object	Type	Section	Access
BASIS-SHELF-MIB.shelfIntegratedAlarm	basisShelf	shelfIntegratedAlarm	INTEGER	SNMP	read-only

cwUserLogin Class

Table A-308 cwUserLogin Class Attributes

Name	Module	Object	Type	Section	Access
BASIS-SHELF-MIB.userName	basisShelf	userName	DisplayString	SNMP	read-only

cwUserLogout Class

Table A-309 cwUserLogout Class Attributes

Name	Module	Object	Type	Section	Access
BASIS-SHELF-MIB.userName	basisShelf	userName	DisplayString	SNMP	read-only

cwShelfRestart Class

Table A-310 cwShelfRestart Class Attributes

Name	Module	Object	Type	Section	Access
CISCO-ENTITY-FRU-CONTROL-MIB.cefcModuleOperStatus	cefcModuleEntry	cefcModuleOperStatus	ModuleOperType	SNMP	read-only
CISCO-ENTITY-FRU-CONTROL-MIB.cefcModuleResetReason	cefcModuleEntry	cefcModuleResetReason	ModuleResetReasonType	SNMP	read-only

cwSwitchingIntegratedAlarm Class

Table A-311 cwSwitchingIntegratedAlarm Class Attributes

Name	Module	Object	Type	Section	Access
BASIS-SHELF-MIB.shelfIntegratedAlarm	basisShelf	shelfIntegratedAlarm	INTEGER	SNMP	read-only

cwNodeNameChange Class

Table A-312 cwNodeNameChange Class Attributes

Name	Module	Object	Type	Section	Access
SNMPv2-MIB.sysLocation	system	sysLocation	DisplayString	SNMP	read-write
SNMPv2-MIB.sysName	system	sysName	DisplayString	SNMP	read-write

cwIpAddressChange Class

Table A-313 cwIpAddressChange Class Attributes

Name	Module	Object	Type	Section	Access
RFC1213-MIB.ipAdEntAddr	ipAddrEntry	ipAdEntAddr	IpAddress	SNMP	read-only

cwNodeCommunityChange Class

The cwNodeCommunityChange class does not contain any attributes.

cwTrapOfflineDiagFail Class

Table A-314 cwTrapOfflineDiagFail Class Attributes

Name	Module	Object	Type	Section	Access
CISCO-WAN-TRAP-VARS-MIB .cwTrapCardRole	cwTrapVars	cwTrapCardRole	INTEGER	SNMP	read-only
CISCO-WAN-TRAP-VARS-MIB .cwTrapDisplayString	cwTrapVars	cwTrapDisplayString	DisplayString	SNMP	read-only
CISCO-WAN-TRAP-VARS-MIB .cwTrapIndex	cwTrapVars	cwTrapIndex	Integer32	SNMP	read-only
CISCO-WAN-TRAP-VARS-MIB .cwTrapLineModuleNumber	cwTrapVars	cwTrapLineModuleNumber	Integer32	SNMP	read-only
CISCO-WAN-TRAP-VARS-MIB .cwTrapOctetString	cwTrapVars	cwTrapOctetString	OCTET	SNMP	read-only

Table A-314 cwTrapOfflineDiagFail Class Attributes (continued)

CISCO-WAN-TRAP-VARS-MIB .cwTrapPhysicalContainer	cwTrapVars	cwTrapPhysicalCo ntainer	INTEGER	SNMP	read-only
CISCO-WAN-TRAP-VARS-MIB .cwTrapPhysicalUnit	cwTrapVars	cwTrapPhysicalUni t	INTEGER	SNMP	read-only
CISCO-WAN-TRAP-VARS-MIB .cwTrapPhysicalVendorType	cwTrapVars	cwTrapPhysicalVen dorType	AutonomousTy pe	SNMP	read-only
CISCO-WAN-TRAP-VARS-MIB .cwTrapSctCardType	cwTrapVars	cwTrapSctCardTyp e	INTEGER	SNMP	read-only
CISCO-WAN-TRAP-VARS-MIB .cwTrapSctId	cwTrapVars	cwTrapSctId	Unsigned32	SNMP	read-only
CISCO-WAN-TRAP-VARS-MIB .cwTrapSctMajorVersion	cwTrapVars	cwTrapSctMajorVe rsion	Unsigned32	SNMP	read-only
CISCO-WAN-TRAP-VARS-MIB .cwTrapSctType	cwTrapVars	cwTrapSctType	INTEGER	SNMP	read-only
CISCO-WAN-TRAP-VARS-MIB .cwTrapSlotNumber	cwTrapVars	cwTrapSlotNumber	Integer32	SNMP	read-only

cwUserInvalidLogin Class

Table A-315 cwUserInvalidLogin Class Attributes

Name	Module	Object	Type	Section	Access
BASIS-SHELF-MIB.userName	basisShelf	userName	DisplayString	SNMP	read-only

cwDiskDbIntegCheckDone Class

The cwDiskDbIntegCheckDone class does not contain any attributes.

cwDiskDbIntegCheckFailed Class

Table A-316 cwDiskDbIntegCheckFailed Class Attributes

Name	Module	Object	Type	Section	Access
CISCO-WAN-TRAP-VARS-MIB .cwTrapCardRole	cwTrapVars	cwTrapCardRole	INTEGER	SNMP	read-only
CISCO-WAN-TRAP-VARS-MIB .cwTrapDisplayString	cwTrapVars	cwTrapDisplayString	DisplayString	SNMP	read-only
CISCO-WAN-TRAP-VARS-MIB .cwTrapIndex	cwTrapVars	cwTrapIndex	Integer32	SNMP	read-only
CISCO-WAN-TRAP-VARS-MIB .cwTrapLineModuleNumber	cwTrapVars	cwTrapLineModuleNumber	Integer32	SNMP	read-only
CISCO-WAN-TRAP-VARS-MIB .cwTrapOctetString	cwTrapVars	cwTrapOctetString	OCTET	SNMP	read-only
CISCO-WAN-TRAP-VARS-MIB .cwTrapPhysicalContainer	cwTrapVars	cwTrapPhysicalContainer	INTEGER	SNMP	read-only
CISCO-WAN-TRAP-VARS-MIB .cwTrapPhysicalUnit	cwTrapVars	cwTrapPhysicalUnit	INTEGER	SNMP	read-only
CISCO-WAN-TRAP-VARS-MIB .cwTrapPhysicalVendorType	cwTrapVars	cwTrapPhysicalVendorType	AutonomousType	SNMP	read-only
CISCO-WAN-TRAP-VARS-MIB .cwTrapSctCardType	cwTrapVars	cwTrapSctCardType	INTEGER	SNMP	read-only
CISCO-WAN-TRAP-VARS-MIB .cwTrapSctId	cwTrapVars	cwTrapSctId	Unsigned32	SNMP	read-only
CISCO-WAN-TRAP-VARS-MIB .cwTrapSctMajorVersion	cwTrapVars	cwTrapSctMajorVersion	Unsigned32	SNMP	read-only
CISCO-WAN-TRAP-VARS-MIB .cwTrapSctType	cwTrapVars	cwTrapSctType	INTEGER	SNMP	read-only
CISCO-WAN-TRAP-VARS-MIB .cwTrapSlotNumber	cwTrapVars	cwTrapSlotNumber	Integer32	SNMP	read-only

cwChassisTemperatureNormal Class

Table A-317 cwChassisTemperatureNormal Class Attributes

Name	Module	Object	Type	Section	Access
CISCO-WAN-TRAP-VARS-MIB .cwTrapCardRole	cwTrapVars	cwTrapCardRole	INTEGER	SNMP	read-only
CISCO-WAN-TRAP-VARS-MIB .cwTrapDisplayString	cwTrapVars	cwTrapDisplayString	DisplayString	SNMP	read-only

Table A-317 cwChassisTemperatureNormal Class Attributes (continued)

CISCO-WAN-TRAP-VARS-MIB .cwTrapIndex	cwTrapVars	cwTrapIndex	Integer32	SNMP	read-only
CISCO-WAN-TRAP-VARS-MIB .cwTrapLineModuleNumber	cwTrapVars	cwTrapLineModuleNumber	Integer32	SNMP	read-only
CISCO-WAN-TRAP-VARS-MIB .cwTrapOctetString	cwTrapVars	cwTrapOctetString	OCTET	SNMP	read-only
CISCO-WAN-TRAP-VARS-MIB .cwTrapPhysicalContainer	cwTrapVars	cwTrapPhysicalContainer	INTEGER	SNMP	read-only
CISCO-WAN-TRAP-VARS-MIB .cwTrapPhysicalUnit	cwTrapVars	cwTrapPhysicalUnit	INTEGER	SNMP	read-only
CISCO-WAN-TRAP-VARS-MIB .cwTrapPhysicalVendorType	cwTrapVars	cwTrapPhysicalVendorType	AutonomousType	SNMP	read-only
CISCO-WAN-TRAP-VARS-MIB .cwTrapSctCardType	cwTrapVars	cwTrapSctCardType	INTEGER	SNMP	read-only
CISCO-WAN-TRAP-VARS-MIB .cwTrapSctId	cwTrapVars	cwTrapSctId	Unsigned32	SNMP	read-only
CISCO-WAN-TRAP-VARS-MIB .cwTrapSctMajorVersion	cwTrapVars	cwTrapSctMajorVersion	Unsigned32	SNMP	read-only
CISCO-WAN-TRAP-VARS-MIB .cwTrapSctType	cwTrapVars	cwTrapSctType	INTEGER	SNMP	read-only
CISCO-WAN-TRAP-VARS-MIB .cwTrapSlotNumber	cwTrapVars	cwTrapSlotNumber	Integer32	SNMP	read-only

cwChassisTemperatureAboveNormal Class

Table A-318 cwChassisTemperatureAboveNormal Class Attributes

Name	Module	Object	Type	Section	Access
CISCO-WAN-TRAP-VARS-MIB .cwTrapCardRole	cwTrapVars	cwTrapCardRole	INTEGER	SNMP	read-only
CISCO-WAN-TRAP-VARS-MIB .cwTrapDisplayString	cwTrapVars	cwTrapDisplayString	DisplayString	SNMP	read-only
CISCO-WAN-TRAP-VARS-MIB .cwTrapIndex	cwTrapVars	cwTrapIndex	Integer32	SNMP	read-only
CISCO-WAN-TRAP-VARS-MIB .cwTrapLineModuleNumber	cwTrapVars	cwTrapLineModuleNumber	Integer32	SNMP	read-only
CISCO-WAN-TRAP-VARS-MIB .cwTrapOctetString	cwTrapVars	cwTrapOctetString	OCTET	SNMP	read-only
CISCO-WAN-TRAP-VARS-MIB .cwTrapPhysicalContainer	cwTrapVars	cwTrapPhysicalContainer	INTEGER	SNMP	read-only

Table A-318 cwChassisTemperatureAboveNormal Class Attributes (continued)

CISCO-WAN-TRAP-VARS-MIB .cwTrapPhysicalUnit	cwTrapVars	cwTrapPhysicalUnit	INTEGER	SNMP	read-only
CISCO-WAN-TRAP-VARS-MIB .cwTrapPhysicalVendorType	cwTrapVars	cwTrapPhysicalVendorType	AutonomousType	SNMP	read-only
CISCO-WAN-TRAP-VARS-MIB .cwTrapSctCardType	cwTrapVars	cwTrapSctCardType	INTEGER	SNMP	read-only
CISCO-WAN-TRAP-VARS-MIB .cwTrapSctId	cwTrapVars	cwTrapSctId	Unsigned32	SNMP	read-only
CISCO-WAN-TRAP-VARS-MIB .cwTrapSctMajorVersion	cwTrapVars	cwTrapSctMajorVersion	Unsigned32	SNMP	read-only
CISCO-WAN-TRAP-VARS-MIB .cwTrapSctType	cwTrapVars	cwTrapSctType	INTEGER	SNMP	read-only
CISCO-WAN-TRAP-VARS-MIB .cwTrapSlotNumber	cwTrapVars	cwTrapSlotNumber	Integer32	SNMP	read-only

cwChassisDclevelNormal Class

The cwChassisDclevelNormal class does not contain any attributes.

cwChassisDclevelBelowNormal Class

The cwChassisDclevelBelowNormal class does not contain any attributes.

cwChassisPowersupplyNormal Class

Table A-319 cwChassisPowersupplyNormal Class Attributes

Name	Module	Object	Type	Section	Access
CISCO-WAN-TRAP-VARS-MIB .cwTrapCardRole	cwTrapVars	cwTrapCardRole	INTEGER	SNMP	read-only
CISCO-WAN-TRAP-VARS-MIB .cwTrapDisplayString	cwTrapVars	cwTrapDisplayString	DisplayString	SNMP	read-only
CISCO-WAN-TRAP-VARS-MIB .cwTrapIndex	cwTrapVars	cwTrapIndex	Integer32	SNMP	read-only

Table A-319 cwChassisPowersupplyNormal Class Attributes (continued)

CISCO-WAN-TRAP-VARS-MIB .cwTrapLineModuleNumber	cwTrapVars	cwTrapLineModuleNumber	Integer32	SNMP	read-only
CISCO-WAN-TRAP-VARS-MIB .cwTrapOctetString	cwTrapVars	cwTrapOctetString	OCTET	SNMP	read-only
CISCO-WAN-TRAP-VARS-MIB .cwTrapPhysicalContainer	cwTrapVars	cwTrapPhysicalContainer	INTEGER	SNMP	read-only
CISCO-WAN-TRAP-VARS-MIB .cwTrapPhysicalUnit	cwTrapVars	cwTrapPhysicalUnit	INTEGER	SNMP	read-only
CISCO-WAN-TRAP-VARS-MIB .cwTrapPhysicalVendorType	cwTrapVars	cwTrapPhysicalVendorType	AutonomousType	SNMP	read-only
CISCO-WAN-TRAP-VARS-MIB .cwTrapSctCardType	cwTrapVars	cwTrapSctCardType	INTEGER	SNMP	read-only
CISCO-WAN-TRAP-VARS-MIB .cwTrapSctId	cwTrapVars	cwTrapSctId	Unsigned32	SNMP	read-only
CISCO-WAN-TRAP-VARS-MIB .cwTrapSctMajorVersion	cwTrapVars	cwTrapSctMajorVersion	Unsigned32	SNMP	read-only
CISCO-WAN-TRAP-VARS-MIB .cwTrapSctType	cwTrapVars	cwTrapSctType	INTEGER	SNMP	read-only
CISCO-WAN-TRAP-VARS-MIB .cwTrapSlotNumber	cwTrapVars	cwTrapSlotNumber	Integer32	SNMP	read-only

cwChassisPowersupplyFailed Class

Table A-320 cwChassisPowersupplyFailed Class Attributes

Name	Module	Object	Type	Section	Access
CISCO-WAN-TRAP-VARS-MIB .cwTrapCardRole	cwTrapVars	cwTrapCardRole	INTEGER	SNMP	read-only
CISCO-WAN-TRAP-VARS-MIB .cwTrapDisplayString	cwTrapVars	cwTrapDisplayString	DisplayString	SNMP	read-only
CISCO-WAN-TRAP-VARS-MIB .cwTrapIndex	cwTrapVars	cwTrapIndex	Integer32	SNMP	read-only
CISCO-WAN-TRAP-VARS-MIB .cwTrapLineModuleNumber	cwTrapVars	cwTrapLineModuleNumber	Integer32	SNMP	read-only
CISCO-WAN-TRAP-VARS-MIB .cwTrapOctetString	cwTrapVars	cwTrapOctetString	OCTET	SNMP	read-only
CISCO-WAN-TRAP-VARS-MIB .cwTrapPhysicalContainer	cwTrapVars	cwTrapPhysicalContainer	INTEGER	SNMP	read-only
CISCO-WAN-TRAP-VARS-MIB .cwTrapPhysicalUnit	cwTrapVars	cwTrapPhysicalUnit	INTEGER	SNMP	read-only

Table A-320 cwChassisPowersupplyFailed Class Attributes (continued)

CISCO-WAN-TRAP-VARS-MIB .cwTrapPhysicalVendorType	cwTrapVars	cwTrapPhysicalVendorType	AutonomousType	SNMP	read-only
CISCO-WAN-TRAP-VARS-MIB .cwTrapSctCardType	cwTrapVars	cwTrapSctCardType	INTEGER	SNMP	read-only
CISCO-WAN-TRAP-VARS-MIB .cwTrapSctId	cwTrapVars	cwTrapSctId	Unsigned32	SNMP	read-only
CISCO-WAN-TRAP-VARS-MIB .cwTrapSctMajorVersion	cwTrapVars	cwTrapSctMajorVersion	Unsigned32	SNMP	read-only
CISCO-WAN-TRAP-VARS-MIB .cwTrapSctType	cwTrapVars	cwTrapSctType	INTEGER	SNMP	read-only
CISCO-WAN-TRAP-VARS-MIB .cwTrapSlotNumber	cwTrapVars	cwTrapSlotNumber	Integer32	SNMP	read-only

cwChassisFanrpmNormal Class

Table A-321 cwChassisFanrpmNormal Class Attributes

Name	Module	Object	Type	Section	Access
CISCO-WAN-TRAP-VARS-MIB .cwTrapCardRole	cwTrapVars	cwTrapCardRole	INTEGER	SNMP	read-only
CISCO-WAN-TRAP-VARS-MIB .cwTrapDisplayString	cwTrapVars	cwTrapDisplayString	DisplayString	SNMP	read-only
CISCO-WAN-TRAP-VARS-MIB .cwTrapIndex	cwTrapVars	cwTrapIndex	Integer32	SNMP	read-only
CISCO-WAN-TRAP-VARS-MIB .cwTrapLineModuleNumber	cwTrapVars	cwTrapLineModuleNumber	Integer32	SNMP	read-only
CISCO-WAN-TRAP-VARS-MIB .cwTrapOctetString	cwTrapVars	cwTrapOctetString	OCTET	SNMP	read-only
CISCO-WAN-TRAP-VARS-MIB .cwTrapPhysicalContainer	cwTrapVars	cwTrapPhysicalContainer	INTEGER	SNMP	read-only
CISCO-WAN-TRAP-VARS-MIB .cwTrapPhysicalUnit	cwTrapVars	cwTrapPhysicalUnit	INTEGER	SNMP	read-only
CISCO-WAN-TRAP-VARS-MIB .cwTrapPhysicalVendorType	cwTrapVars	cwTrapPhysicalVendorType	AutonomousType	SNMP	read-only
CISCO-WAN-TRAP-VARS-MIB .cwTrapSctCardType	cwTrapVars	cwTrapSctCardType	INTEGER	SNMP	read-only
CISCO-WAN-TRAP-VARS-MIB .cwTrapSctId	cwTrapVars	cwTrapSctId	Unsigned32	SNMP	read-only
CISCO-WAN-TRAP-VARS-MIB .cwTrapSctMajorVersion	cwTrapVars	cwTrapSctMajorVersion	Unsigned32	SNMP	read-only

Table A-321 cwChassisFanrpmNormal Class Attributes (continued)

CISCO-WAN-TRAP-VARS-MIB .cwTrapSctType	cwTrapVars	cwTrapSctType	INTEGER	SNMP	read-only
CISCO-WAN-TRAP-VARS-MIB .cwTrapSlotNumber	cwTrapVars	cwTrapSlotNumber	Integer32	SNMP	read-only

cwChassisFanrpmBelowNormal Class

Table A-322 cwChassisFanrpmBelowNormal Class Attributes

Name	Module	Object	Type	Section	Access
CISCO-WAN-TRAP-VARS-MIB .cwTrapCardRole	cwTrapVars	cwTrapCardRole	INTEGER	SNMP	read-only
CISCO-WAN-TRAP-VARS-MIB .cwTrapDisplayString	cwTrapVars	cwTrapDisplayString	DisplayString	SNMP	read-only
CISCO-WAN-TRAP-VARS-MIB .cwTrapIndex	cwTrapVars	cwTrapIndex	Integer32	SNMP	read-only
CISCO-WAN-TRAP-VARS-MIB .cwTrapLineModuleNumber	cwTrapVars	cwTrapLineModuleNumber	Integer32	SNMP	read-only
CISCO-WAN-TRAP-VARS-MIB .cwTrapOctetString	cwTrapVars	cwTrapOctetString	OCTET	SNMP	read-only
CISCO-WAN-TRAP-VARS-MIB .cwTrapPhysicalContainer	cwTrapVars	cwTrapPhysicalContainer	INTEGER	SNMP	read-only
CISCO-WAN-TRAP-VARS-MIB .cwTrapPhysicalUnit	cwTrapVars	cwTrapPhysicalUnit	INTEGER	SNMP	read-only
CISCO-WAN-TRAP-VARS-MIB .cwTrapPhysicalVendorType	cwTrapVars	cwTrapPhysicalVendorType	AutonomousType	SNMP	read-only
CISCO-WAN-TRAP-VARS-MIB .cwTrapSctCardType	cwTrapVars	cwTrapSctCardType	INTEGER	SNMP	read-only
CISCO-WAN-TRAP-VARS-MIB .cwTrapSctId	cwTrapVars	cwTrapSctId	Unsigned32	SNMP	read-only
CISCO-WAN-TRAP-VARS-MIB .cwTrapSctMajorVersion	cwTrapVars	cwTrapSctMajorVersion	Unsigned32	SNMP	read-only
CISCO-WAN-TRAP-VARS-MIB .cwTrapSctType	cwTrapVars	cwTrapSctType	INTEGER	SNMP	read-only
CISCO-WAN-TRAP-VARS-MIB .cwTrapSlotNumber	cwTrapVars	cwTrapSlotNumber	Integer32	SNMP	read-only

cwChassisDclevelAboveNormal Class

The cwChassisDclevelAboveNormal class does not contain any attributes.

cwModuleInserted Class

Table A-323 cwModuleInserted Class Attributes

Name	Module	Object	Type	Section	Access
CISCO-WAN-TRAP-VARS-MIB .cwTrapCardRole	cwTrapVars	cwTrapCardRole	INTEGER	SNMP	read-only
CISCO-WAN-TRAP-VARS-MIB .cwTrapDisplayString	cwTrapVars	cwTrapDisplayString	DisplayString	SNMP	read-only
CISCO-WAN-TRAP-VARS-MIB .cwTrapIndex	cwTrapVars	cwTrapIndex	Integer32	SNMP	read-only
CISCO-WAN-TRAP-VARS-MIB .cwTrapLineModuleNumber	cwTrapVars	cwTrapLineModuleNumber	Integer32	SNMP	read-only
CISCO-WAN-TRAP-VARS-MIB .cwTrapOctetString	cwTrapVars	cwTrapOctetString	OCTET	SNMP	read-only
CISCO-WAN-TRAP-VARS-MIB .cwTrapPhysicalContainer	cwTrapVars	cwTrapPhysicalContainer	INTEGER	SNMP	read-only
CISCO-WAN-TRAP-VARS-MIB .cwTrapPhysicalUnit	cwTrapVars	cwTrapPhysicalUnit	INTEGER	SNMP	read-only
CISCO-WAN-TRAP-VARS-MIB .cwTrapPhysicalVendorType	cwTrapVars	cwTrapPhysicalVendorType	AutonomousType	SNMP	read-only
CISCO-WAN-TRAP-VARS-MIB .cwTrapSctCardType	cwTrapVars	cwTrapSctCardType	INTEGER	SNMP	read-only
CISCO-WAN-TRAP-VARS-MIB .cwTrapSctId	cwTrapVars	cwTrapSctId	Unsigned32	SNMP	read-only
CISCO-WAN-TRAP-VARS-MIB .cwTrapSctMajorVersion	cwTrapVars	cwTrapSctMajorVersion	Unsigned32	SNMP	read-only
CISCO-WAN-TRAP-VARS-MIB .cwTrapSctType	cwTrapVars	cwTrapSctType	INTEGER	SNMP	read-only
CISCO-WAN-TRAP-VARS-MIB .cwTrapSlotNumber	cwTrapVars	cwTrapSlotNumber	Integer32	SNMP	read-only
ENTITY-MIB.entPhysicalContainedIn	entPhysicalEntry	entPhysicalContainedIn	INTEGER	SNMP	read-only
ENTITY-MIB.entPhysicalDescr	entPhysicalEntry	entPhysicalDescr	SnmAdminString	SNMP	read-only

Table A-323 cwModuleInserted Class Attributes (continued)

ENTITY-MIB.entPhysicalParentRelPos	entPhysicalEntry	entPhysicalParentRelPos	INTEGER	SNMP	read-only
ENTITY-MIB.entPhysicalVendorType	entPhysicalEntry	entPhysicalVendorType	AutonomousType	SNMP	read-only

cwModuleRemoved Class

Table A-324 cwModuleRemoved Class Attributes

Name	Module	Object	Type	Section	Access
CISCO-WAN-TRAP-VARS-MIB.cwTrapCardRole	cwTrapVars	cwTrapCardRole	INTEGER	SNMP	read-only
CISCO-WAN-TRAP-VARS-MIB.cwTrapDisplayString	cwTrapVars	cwTrapDisplayString	DisplayString	SNMP	read-only
CISCO-WAN-TRAP-VARS-MIB.cwTrapIndex	cwTrapVars	cwTrapIndex	Integer32	SNMP	read-only
CISCO-WAN-TRAP-VARS-MIB.cwTrapLineModuleNumber	cwTrapVars	cwTrapLineModuleNumber	Integer32	SNMP	read-only
CISCO-WAN-TRAP-VARS-MIB.cwTrapOctetString	cwTrapVars	cwTrapOctetString	OCTET	SNMP	read-only
CISCO-WAN-TRAP-VARS-MIB.cwTrapPhysicalContainer	cwTrapVars	cwTrapPhysicalContainer	INTEGER	SNMP	read-only
CISCO-WAN-TRAP-VARS-MIB.cwTrapPhysicalUnit	cwTrapVars	cwTrapPhysicalUnit	INTEGER	SNMP	read-only
CISCO-WAN-TRAP-VARS-MIB.cwTrapPhysicalVendorType	cwTrapVars	cwTrapPhysicalVendorType	AutonomousType	SNMP	read-only
CISCO-WAN-TRAP-VARS-MIB.cwTrapSctCardType	cwTrapVars	cwTrapSctCardType	INTEGER	SNMP	read-only
CISCO-WAN-TRAP-VARS-MIB.cwTrapSctId	cwTrapVars	cwTrapSctId	Unsigned32	SNMP	read-only
CISCO-WAN-TRAP-VARS-MIB.cwTrapSctMajorVersion	cwTrapVars	cwTrapSctMajorVersion	Unsigned32	SNMP	read-only
CISCO-WAN-TRAP-VARS-MIB.cwTrapSctType	cwTrapVars	cwTrapSctType	INTEGER	SNMP	read-only
CISCO-WAN-TRAP-VARS-MIB.cwTrapSlotNumber	cwTrapVars	cwTrapSlotNumber	Integer32	SNMP	read-only
ENTITY-MIB.entPhysicalContainedIn	entPhysicalEntry	entPhysicalContainedIn	INTEGER	SNMP	read-only
ENTITY-MIB.entPhysicalDescr	entPhysicalEntry	entPhysicalDescr	SnmpAdminString	SNMP	read-only

Table A-324 cwModuleRemoved Class Attributes (continued)

ENTITY-MIB.entPhysicalParentRelPos	entPhysicalEntry	entPhysicalParentRelPos	INTEGER	SNMP	read-only
ENTITY-MIB.entPhysicalVendorType	entPhysicalEntry	entPhysicalVendorType	AutonomousType	SNMP	read-only

cwModuleMismatch Class

Table A-325 cwModuleMismatch Class Attributes

Name	Module	Object	Type	Section	Access
CISCO-WAN-TRAP-VARS-MIB.cwTrapCardRole	cwTrapVars	cwTrapCardRole	INTEGER	SNMP	read-only
CISCO-WAN-TRAP-VARS-MIB.cwTrapDisplayString	cwTrapVars	cwTrapDisplayString	DisplayString	SNMP	read-only
CISCO-WAN-TRAP-VARS-MIB.cwTrapIndex	cwTrapVars	cwTrapIndex	Integer32	SNMP	read-only
CISCO-WAN-TRAP-VARS-MIB.cwTrapLineModuleNumber	cwTrapVars	cwTrapLineModuleNumber	Integer32	SNMP	read-only
CISCO-WAN-TRAP-VARS-MIB.cwTrapOctetString	cwTrapVars	cwTrapOctetString	OCTET	SNMP	read-only
CISCO-WAN-TRAP-VARS-MIB.cwTrapPhysicalContainer	cwTrapVars	cwTrapPhysicalContainer	INTEGER	SNMP	read-only
CISCO-WAN-TRAP-VARS-MIB.cwTrapPhysicalUnit	cwTrapVars	cwTrapPhysicalUnit	INTEGER	SNMP	read-only
CISCO-WAN-TRAP-VARS-MIB.cwTrapPhysicalVendorType	cwTrapVars	cwTrapPhysicalVendorType	AutonomousType	SNMP	read-only
CISCO-WAN-TRAP-VARS-MIB.cwTrapSctCardType	cwTrapVars	cwTrapSctCardType	INTEGER	SNMP	read-only
CISCO-WAN-TRAP-VARS-MIB.cwTrapSctId	cwTrapVars	cwTrapSctId	Unsigned32	SNMP	read-only
CISCO-WAN-TRAP-VARS-MIB.cwTrapSctMajorVersion	cwTrapVars	cwTrapSctMajorVersion	Unsigned32	SNMP	read-only
CISCO-WAN-TRAP-VARS-MIB.cwTrapSctType	cwTrapVars	cwTrapSctType	INTEGER	SNMP	read-only
CISCO-WAN-TRAP-VARS-MIB.cwTrapSlotNumber	cwTrapVars	cwTrapSlotNumber	Integer32	SNMP	read-only
ENTITY-MIB.entPhysicalContainedIn	entPhysicalEntry	entPhysicalContainedIn	INTEGER	SNMP	read-only
ENTITY-MIB.entPhysicalDescr	entPhysicalEntry	entPhysicalDescr	SnmAdminString	SNMP	read-only

Table A-325 cwModuleMismatch Class Attributes (continued)

ENTITY-MIB.entPhysicalParentRelPos	entPhysicalEntry	entPhysicalParentRelPos	INTEGER	SNMP	read-only
ENTITY-MIB.entPhysicalVendorType	entPhysicalEntry	entPhysicalVendorType	AutonomousType	SNMP	read-only

cwModuleActive Class

Table A-326 cwModuleActive Class Attributes

Name	Module	Object	Type	Section	Access
CISCO-WAN-TRAP-VARS-MIB.cwTrapCardRole	cwTrapVars	cwTrapCardRole	INTEGER	SNMP	read-only
CISCO-WAN-TRAP-VARS-MIB.cwTrapDisplayString	cwTrapVars	cwTrapDisplayString	DisplayString	SNMP	read-only
CISCO-WAN-TRAP-VARS-MIB.cwTrapIndex	cwTrapVars	cwTrapIndex	Integer32	SNMP	read-only
CISCO-WAN-TRAP-VARS-MIB.cwTrapLineModuleNumber	cwTrapVars	cwTrapLineModuleNumber	Integer32	SNMP	read-only
CISCO-WAN-TRAP-VARS-MIB.cwTrapOctetString	cwTrapVars	cwTrapOctetString	OCTET	SNMP	read-only
CISCO-WAN-TRAP-VARS-MIB.cwTrapPhysicalContainer	cwTrapVars	cwTrapPhysicalContainer	INTEGER	SNMP	read-only
CISCO-WAN-TRAP-VARS-MIB.cwTrapPhysicalUnit	cwTrapVars	cwTrapPhysicalUnit	INTEGER	SNMP	read-only
CISCO-WAN-TRAP-VARS-MIB.cwTrapPhysicalVendorType	cwTrapVars	cwTrapPhysicalVendorType	AutonomousType	SNMP	read-only
CISCO-WAN-TRAP-VARS-MIB.cwTrapSctCardType	cwTrapVars	cwTrapSctCardType	INTEGER	SNMP	read-only
CISCO-WAN-TRAP-VARS-MIB.cwTrapSctId	cwTrapVars	cwTrapSctId	Unsigned32	SNMP	read-only
CISCO-WAN-TRAP-VARS-MIB.cwTrapSctMajorVersion	cwTrapVars	cwTrapSctMajorVersion	Unsigned32	SNMP	read-only
CISCO-WAN-TRAP-VARS-MIB.cwTrapSctType	cwTrapVars	cwTrapSctType	INTEGER	SNMP	read-only
CISCO-WAN-TRAP-VARS-MIB.cwTrapSlotNumber	cwTrapVars	cwTrapSlotNumber	Integer32	SNMP	read-only
ENTITY-MIB.entPhysicalContainedIn	entPhysicalEntry	entPhysicalContainedIn	INTEGER	SNMP	read-only
ENTITY-MIB.entPhysicalDescr	entPhysicalEntry	entPhysicalDescr	SnmpAdminString	SNMP	read-only

Table A-326 cwModuleActive Class Attributes (continued)

ENTITY-MIB.entPhysicalParentRelPos	entPhysicalEntry	entPhysicalParentRelPos	INTEGER	SNMP	read-only
ENTITY-MIB.entPhysicalVendorType	entPhysicalEntry	entPhysicalVendorType	AutonomousType	SNMP	read-only

cwModuleStandby Class

Table A-327 cwModuleStandby Class Attributes

Name	Module	Object	Type	Section	Access
CISCO-WAN-TRAP-VARS-MIB.cwTrapCardRole	cwTrapVars	cwTrapCardRole	INTEGER	SNMP	read-only
CISCO-WAN-TRAP-VARS-MIB.cwTrapDisplayString	cwTrapVars	cwTrapDisplayString	DisplayString	SNMP	read-only
CISCO-WAN-TRAP-VARS-MIB.cwTrapIndex	cwTrapVars	cwTrapIndex	Integer32	SNMP	read-only
CISCO-WAN-TRAP-VARS-MIB.cwTrapLineModuleNumber	cwTrapVars	cwTrapLineModuleNumber	Integer32	SNMP	read-only
CISCO-WAN-TRAP-VARS-MIB.cwTrapOctetString	cwTrapVars	cwTrapOctetString	OCTET	SNMP	read-only
CISCO-WAN-TRAP-VARS-MIB.cwTrapPhysicalContainer	cwTrapVars	cwTrapPhysicalContainer	INTEGER	SNMP	read-only
CISCO-WAN-TRAP-VARS-MIB.cwTrapPhysicalUnit	cwTrapVars	cwTrapPhysicalUnit	INTEGER	SNMP	read-only
CISCO-WAN-TRAP-VARS-MIB.cwTrapPhysicalVendorType	cwTrapVars	cwTrapPhysicalVendorType	AutonomousType	SNMP	read-only
CISCO-WAN-TRAP-VARS-MIB.cwTrapSctCardType	cwTrapVars	cwTrapSctCardType	INTEGER	SNMP	read-only
CISCO-WAN-TRAP-VARS-MIB.cwTrapSctId	cwTrapVars	cwTrapSctId	Unsigned32	SNMP	read-only
CISCO-WAN-TRAP-VARS-MIB.cwTrapSctMajorVersion	cwTrapVars	cwTrapSctMajorVersion	Unsigned32	SNMP	read-only
CISCO-WAN-TRAP-VARS-MIB.cwTrapSctType	cwTrapVars	cwTrapSctType	INTEGER	SNMP	read-only
CISCO-WAN-TRAP-VARS-MIB.cwTrapSlotNumber	cwTrapVars	cwTrapSlotNumber	Integer32	SNMP	read-only
ENTITY-MIB.entPhysicalContainedIn	entPhysicalEntry	entPhysicalContainedIn	INTEGER	SNMP	read-only
ENTITY-MIB.entPhysicalDescr	entPhysicalEntry	entPhysicalDescr	SnmAdminString	SNMP	read-only

Table A-327 cwModuleStandby Class Attributes (continued)

ENTITY-MIB.entPhysicalParentRelPos	entPhysicalEntry	entPhysicalParentRelPos	INTEGER	SNMP	read-only
ENTITY-MIB.entPhysicalVendorType	entPhysicalEntry	entPhysicalVendorType	AutonomousType	SNMP	read-only

cwModuleFailed Class

Table A-328 cwModuleFailed Class Attributes

Name	Module	Object	Type	Section	Access
CISCO-WAN-TRAP-VARS-MIB.cwTrapCardRole	cwTrapVars	cwTrapCardRole	INTEGER	SNMP	read-only
CISCO-WAN-TRAP-VARS-MIB.cwTrapDisplayString	cwTrapVars	cwTrapDisplayString	DisplayString	SNMP	read-only
CISCO-WAN-TRAP-VARS-MIB.cwTrapIndex	cwTrapVars	cwTrapIndex	Integer32	SNMP	read-only
CISCO-WAN-TRAP-VARS-MIB.cwTrapLineModuleNumber	cwTrapVars	cwTrapLineModuleNumber	Integer32	SNMP	read-only
CISCO-WAN-TRAP-VARS-MIB.cwTrapOctetString	cwTrapVars	cwTrapOctetString	OCTET	SNMP	read-only
CISCO-WAN-TRAP-VARS-MIB.cwTrapPhysicalContainer	cwTrapVars	cwTrapPhysicalContainer	INTEGER	SNMP	read-only
CISCO-WAN-TRAP-VARS-MIB.cwTrapPhysicalUnit	cwTrapVars	cwTrapPhysicalUnit	INTEGER	SNMP	read-only
CISCO-WAN-TRAP-VARS-MIB.cwTrapPhysicalVendorType	cwTrapVars	cwTrapPhysicalVendorType	AutonomousType	SNMP	read-only
CISCO-WAN-TRAP-VARS-MIB.cwTrapSctCardType	cwTrapVars	cwTrapSctCardType	INTEGER	SNMP	read-only
CISCO-WAN-TRAP-VARS-MIB.cwTrapSctId	cwTrapVars	cwTrapSctId	Unsigned32	SNMP	read-only
CISCO-WAN-TRAP-VARS-MIB.cwTrapSctMajorVersion	cwTrapVars	cwTrapSctMajorVersion	Unsigned32	SNMP	read-only
CISCO-WAN-TRAP-VARS-MIB.cwTrapSctType	cwTrapVars	cwTrapSctType	INTEGER	SNMP	read-only
CISCO-WAN-TRAP-VARS-MIB.cwTrapSlotNumber	cwTrapVars	cwTrapSlotNumber	Integer32	SNMP	read-only
ENTITY-MIB.entPhysicalContainedIn	entPhysicalEntry	entPhysicalContainedIn	INTEGER	SNMP	read-only
ENTITY-MIB.entPhysicalDescr	entPhysicalEntry	entPhysicalDescr	SnmpAdminString	SNMP	read-only

Table A-328 cwModuleFailed Class Attributes (continued)

ENTITY-MIB.entPhysicalParentRelPos	entPhysicalEntry	entPhysicalParentRelPos	INTEGER	SNMP	read-only
ENTITY-MIB.entPhysicalVendorType	entPhysicalEntry	entPhysicalVendorType	AutonomousType	SNMP	read-only

cwLineModuleInserted Class

Table A-329 cwLineModuleInserted Class Attributes

Name	Module	Object	Type	Section	Access
CISCO-WAN-TRAP-VARS-MIB.cwTrapCardRole	cwTrapVars	cwTrapCardRole	INTEGER	SNMP	read-only
CISCO-WAN-TRAP-VARS-MIB.cwTrapDisplayString	cwTrapVars	cwTrapDisplayString	DisplayString	SNMP	read-only
CISCO-WAN-TRAP-VARS-MIB.cwTrapIndex	cwTrapVars	cwTrapIndex	Integer32	SNMP	read-only
CISCO-WAN-TRAP-VARS-MIB.cwTrapLineModuleNumber	cwTrapVars	cwTrapLineModuleNumber	Integer32	SNMP	read-only
CISCO-WAN-TRAP-VARS-MIB.cwTrapOctetString	cwTrapVars	cwTrapOctetString	OCTET	SNMP	read-only
CISCO-WAN-TRAP-VARS-MIB.cwTrapPhysicalContainer	cwTrapVars	cwTrapPhysicalContainer	INTEGER	SNMP	read-only
CISCO-WAN-TRAP-VARS-MIB.cwTrapPhysicalUnit	cwTrapVars	cwTrapPhysicalUnit	INTEGER	SNMP	read-only
CISCO-WAN-TRAP-VARS-MIB.cwTrapPhysicalVendorType	cwTrapVars	cwTrapPhysicalVendorType	AutonomousType	SNMP	read-only
CISCO-WAN-TRAP-VARS-MIB.cwTrapSctCardType	cwTrapVars	cwTrapSctCardType	INTEGER	SNMP	read-only
CISCO-WAN-TRAP-VARS-MIB.cwTrapSctId	cwTrapVars	cwTrapSctId	Unsigned32	SNMP	read-only
CISCO-WAN-TRAP-VARS-MIB.cwTrapSctMajorVersion	cwTrapVars	cwTrapSctMajorVersion	Unsigned32	SNMP	read-only
CISCO-WAN-TRAP-VARS-MIB.cwTrapSctType	cwTrapVars	cwTrapSctType	INTEGER	SNMP	read-only
CISCO-WAN-TRAP-VARS-MIB.cwTrapSlotNumber	cwTrapVars	cwTrapSlotNumber	Integer32	SNMP	read-only
ENTITY-MIB.entPhysicalContainedIn	entPhysicalEntry	entPhysicalContainedIn	INTEGER	SNMP	read-only
ENTITY-MIB.entPhysicalDescr	entPhysicalEntry	entPhysicalDescr	SnmpAdminString	SNMP	read-only

Table A-329 cwLineModuleInserted Class Attributes (continued)

ENTITY-MIB.entPhysicalParentRelPos	entPhysicalEntry	entPhysicalParentRelPos	INTEGER	SNMP	read-only
ENTITY-MIB.entPhysicalVendorType	entPhysicalEntry	entPhysicalVendorType	AutonomousType	SNMP	read-only

cwLineModuleRemoved Class

Table A-330 cwLineModuleRemoved Class Attributes

Name	Module	Object	Type	Section	Access
CISCO-WAN-TRAP-VARS-MIB.cwTrapCardRole	cwTrapVars	cwTrapCardRole	INTEGER	SNMP	read-only
CISCO-WAN-TRAP-VARS-MIB.cwTrapDisplayString	cwTrapVars	cwTrapDisplayString	DisplayString	SNMP	read-only
CISCO-WAN-TRAP-VARS-MIB.cwTrapIndex	cwTrapVars	cwTrapIndex	Integer32	SNMP	read-only
CISCO-WAN-TRAP-VARS-MIB.cwTrapLineModuleNumber	cwTrapVars	cwTrapLineModuleNumber	Integer32	SNMP	read-only
CISCO-WAN-TRAP-VARS-MIB.cwTrapOctetString	cwTrapVars	cwTrapOctetString	OCTET	SNMP	read-only
CISCO-WAN-TRAP-VARS-MIB.cwTrapPhysicalContainer	cwTrapVars	cwTrapPhysicalContainer	INTEGER	SNMP	read-only
CISCO-WAN-TRAP-VARS-MIB.cwTrapPhysicalUnit	cwTrapVars	cwTrapPhysicalUnit	INTEGER	SNMP	read-only
CISCO-WAN-TRAP-VARS-MIB.cwTrapPhysicalVendorType	cwTrapVars	cwTrapPhysicalVendorType	AutonomousType	SNMP	read-only
CISCO-WAN-TRAP-VARS-MIB.cwTrapSctCardType	cwTrapVars	cwTrapSctCardType	INTEGER	SNMP	read-only
CISCO-WAN-TRAP-VARS-MIB.cwTrapSctId	cwTrapVars	cwTrapSctId	Unsigned32	SNMP	read-only
CISCO-WAN-TRAP-VARS-MIB.cwTrapSctMajorVersion	cwTrapVars	cwTrapSctMajorVersion	Unsigned32	SNMP	read-only
CISCO-WAN-TRAP-VARS-MIB.cwTrapSctType	cwTrapVars	cwTrapSctType	INTEGER	SNMP	read-only
CISCO-WAN-TRAP-VARS-MIB.cwTrapSlotNumber	cwTrapVars	cwTrapSlotNumber	Integer32	SNMP	read-only
ENTITY-MIB.entPhysicalContainedIn	entPhysicalEntry	entPhysicalContainedIn	INTEGER	SNMP	read-only
ENTITY-MIB.entPhysicalDescr	entPhysicalEntry	entPhysicalDescr	SnmpAdminString	SNMP	read-only

Table A-330 cwLineModuleRemoved Class Attributes (continued)

ENTITY-MIB.entPhysicalParentRelPos	entPhysicalEntry	entPhysicalParentRelPos	INTEGER	SNMP	read-only
ENTITY-MIB.entPhysicalVendorType	entPhysicalEntry	entPhysicalVendorType	AutonomousType	SNMP	read-only

cwLineModuleMismatch Class

Table A-331 cwLineModuleMismatch Class Attributes

Name	Module	Object	Type	Section	Access
CISCO-WAN-TRAP-VARS-MIB.cwTrapCardRole	cwTrapVars	cwTrapCardRole	INTEGER	SNMP	read-only
CISCO-WAN-TRAP-VARS-MIB.cwTrapDisplayString	cwTrapVars	cwTrapDisplayString	DisplayString	SNMP	read-only
CISCO-WAN-TRAP-VARS-MIB.cwTrapIndex	cwTrapVars	cwTrapIndex	Integer32	SNMP	read-only
CISCO-WAN-TRAP-VARS-MIB.cwTrapLineModuleNumber	cwTrapVars	cwTrapLineModuleNumber	Integer32	SNMP	read-only
CISCO-WAN-TRAP-VARS-MIB.cwTrapOctetString	cwTrapVars	cwTrapOctetString	OCTET	SNMP	read-only
CISCO-WAN-TRAP-VARS-MIB.cwTrapPhysicalContainer	cwTrapVars	cwTrapPhysicalContainer	INTEGER	SNMP	read-only
CISCO-WAN-TRAP-VARS-MIB.cwTrapPhysicalUnit	cwTrapVars	cwTrapPhysicalUnit	INTEGER	SNMP	read-only
CISCO-WAN-TRAP-VARS-MIB.cwTrapPhysicalVendorType	cwTrapVars	cwTrapPhysicalVendorType	AutonomousType	SNMP	read-only
CISCO-WAN-TRAP-VARS-MIB.cwTrapSctCardType	cwTrapVars	cwTrapSctCardType	INTEGER	SNMP	read-only
CISCO-WAN-TRAP-VARS-MIB.cwTrapSctId	cwTrapVars	cwTrapSctId	Unsigned32	SNMP	read-only
CISCO-WAN-TRAP-VARS-MIB.cwTrapSctMajorVersion	cwTrapVars	cwTrapSctMajorVersion	Unsigned32	SNMP	read-only
CISCO-WAN-TRAP-VARS-MIB.cwTrapSctType	cwTrapVars	cwTrapSctType	INTEGER	SNMP	read-only
CISCO-WAN-TRAP-VARS-MIB.cwTrapSlotNumber	cwTrapVars	cwTrapSlotNumber	Integer32	SNMP	read-only
ENTITY-MIB.entPhysicalContainedIn	entPhysicalEntry	entPhysicalContainedIn	INTEGER	SNMP	read-only
ENTITY-MIB.entPhysicalDescr	entPhysicalEntry	entPhysicalDescr	SnmAdminString	SNMP	read-only

Table A-331 cwLineModuleMismatch Class Attributes (continued)

ENTITY-MIB.entPhysicalParentRelPos	entPhysicalEntry	entPhysicalParentRelPos	INTEGER	SNMP	read-only
ENTITY-MIB.entPhysicalVendorType	entPhysicalEntry	entPhysicalVendorType	AutonomousType	SNMP	read-only

cwModuleSelfTestFail Class

Table A-332 cwModuleSelfTestFail Class Attributes

Name	Module	Object	Type	Section	Access
CISCO-WAN-TRAP-VARS-MIB.cwTrapCardRole	cwTrapVars	cwTrapCardRole	INTEGER	SNMP	read-only
CISCO-WAN-TRAP-VARS-MIB.cwTrapDisplayString	cwTrapVars	cwTrapDisplayString	DisplayString	SNMP	read-only
CISCO-WAN-TRAP-VARS-MIB.cwTrapIndex	cwTrapVars	cwTrapIndex	Integer32	SNMP	read-only
CISCO-WAN-TRAP-VARS-MIB.cwTrapLineModuleNumber	cwTrapVars	cwTrapLineModuleNumber	Integer32	SNMP	read-only
CISCO-WAN-TRAP-VARS-MIB.cwTrapOctetString	cwTrapVars	cwTrapOctetString	OCTET	SNMP	read-only
CISCO-WAN-TRAP-VARS-MIB.cwTrapPhysicalContainer	cwTrapVars	cwTrapPhysicalContainer	INTEGER	SNMP	read-only
CISCO-WAN-TRAP-VARS-MIB.cwTrapPhysicalUnit	cwTrapVars	cwTrapPhysicalUnit	INTEGER	SNMP	read-only
CISCO-WAN-TRAP-VARS-MIB.cwTrapPhysicalVendorType	cwTrapVars	cwTrapPhysicalVendorType	AutonomousType	SNMP	read-only
CISCO-WAN-TRAP-VARS-MIB.cwTrapSctCardType	cwTrapVars	cwTrapSctCardType	INTEGER	SNMP	read-only
CISCO-WAN-TRAP-VARS-MIB.cwTrapSctId	cwTrapVars	cwTrapSctId	Unsigned32	SNMP	read-only
CISCO-WAN-TRAP-VARS-MIB.cwTrapSctMajorVersion	cwTrapVars	cwTrapSctMajorVersion	Unsigned32	SNMP	read-only
CISCO-WAN-TRAP-VARS-MIB.cwTrapSctType	cwTrapVars	cwTrapSctType	INTEGER	SNMP	read-only
CISCO-WAN-TRAP-VARS-MIB.cwTrapSlotNumber	cwTrapVars	cwTrapSlotNumber	Integer32	SNMP	read-only
ENTITY-MIB.entPhysicalContainedIn	entPhysicalEntry	entPhysicalContainedIn	INTEGER	SNMP	read-only
ENTITY-MIB.entPhysicalDescriptor	entPhysicalEntry	entPhysicalDescriptor	SnmpAdminString	SNMP	read-only

Table A-332 cwModuleSelfTestFail Class Attributes (continued)

ENTITY-MIB.entPhysicalParentRelPos	entPhysicalEntry	entPhysicalParentRelPos	INTEGER	SNMP	read-only
ENTITY-MIB.entPhysicalVendorType	entPhysicalEntry	entPhysicalVendorType	AutonomousType	SNMP	read-only

cwLineModuleMismatchClear Class

Table A-333 cwLineModuleMismatchClear Class Attributes

Name	Module	Object	Type	Section	Access
CISCO-WAN-TRAP-VARS-MIB.cwTrapCardRole	cwTrapVars	cwTrapCardRole	INTEGER	SNMP	read-only
CISCO-WAN-TRAP-VARS-MIB.cwTrapDisplayString	cwTrapVars	cwTrapDisplayString	DisplayString	SNMP	read-only
CISCO-WAN-TRAP-VARS-MIB.cwTrapIndex	cwTrapVars	cwTrapIndex	Integer32	SNMP	read-only
CISCO-WAN-TRAP-VARS-MIB.cwTrapLineModuleNumber	cwTrapVars	cwTrapLineModuleNumber	Integer32	SNMP	read-only
CISCO-WAN-TRAP-VARS-MIB.cwTrapOctetString	cwTrapVars	cwTrapOctetString	OCTET	SNMP	read-only
CISCO-WAN-TRAP-VARS-MIB.cwTrapPhysicalContainer	cwTrapVars	cwTrapPhysicalContainer	INTEGER	SNMP	read-only
CISCO-WAN-TRAP-VARS-MIB.cwTrapPhysicalUnit	cwTrapVars	cwTrapPhysicalUnit	INTEGER	SNMP	read-only
CISCO-WAN-TRAP-VARS-MIB.cwTrapPhysicalVendorType	cwTrapVars	cwTrapPhysicalVendorType	AutonomousType	SNMP	read-only
CISCO-WAN-TRAP-VARS-MIB.cwTrapSctCardType	cwTrapVars	cwTrapSctCardType	INTEGER	SNMP	read-only
CISCO-WAN-TRAP-VARS-MIB.cwTrapSctId	cwTrapVars	cwTrapSctId	Unsigned32	SNMP	read-only
CISCO-WAN-TRAP-VARS-MIB.cwTrapSctMajorVersion	cwTrapVars	cwTrapSctMajorVersion	Unsigned32	SNMP	read-only
CISCO-WAN-TRAP-VARS-MIB.cwTrapSctType	cwTrapVars	cwTrapSctType	INTEGER	SNMP	read-only
CISCO-WAN-TRAP-VARS-MIB.cwTrapSlotNumber	cwTrapVars	cwTrapSlotNumber	Integer32	SNMP	read-only
ENTITY-MIB.entPhysicalContainedIn	entPhysicalEntry	entPhysicalContainedIn	INTEGER	SNMP	read-only
ENTITY-MIB.entPhysicalDescr	entPhysicalEntry	entPhysicalDescr	SnmAdminString	SNMP	read-only

Table A-333 cwLineModuleMismatchClear Class Attributes (continued)

ENTITY-MIB.entPhysicalParentRelPos	entPhysicalEntry	entPhysicalParentRelPos	INTEGER	SNMP	read-only
ENTITY-MIB.entPhysicalVendorType	entPhysicalEntry	entPhysicalVendorType	AutonomousType	SNMP	read-only

cwModuleConfigCleared Class

Table A-334 cwModuleConfigCleared Class Attributes

Name	Module	Object	Type	Section	Access
CISCO-WAN-TRAP-VARS-MIB.cwTrapCardRole	cwTrapVars	cwTrapCardRole	INTEGER	SNMP	read-only
CISCO-WAN-TRAP-VARS-MIB.cwTrapDisplayString	cwTrapVars	cwTrapDisplayString	DisplayString	SNMP	read-only
CISCO-WAN-TRAP-VARS-MIB.cwTrapIndex	cwTrapVars	cwTrapIndex	Integer32	SNMP	read-only
CISCO-WAN-TRAP-VARS-MIB.cwTrapLineModuleNumber	cwTrapVars	cwTrapLineModuleNumber	Integer32	SNMP	read-only
CISCO-WAN-TRAP-VARS-MIB.cwTrapOctetString	cwTrapVars	cwTrapOctetString	OCTET	SNMP	read-only
CISCO-WAN-TRAP-VARS-MIB.cwTrapPhysicalContainer	cwTrapVars	cwTrapPhysicalContainer	INTEGER	SNMP	read-only
CISCO-WAN-TRAP-VARS-MIB.cwTrapPhysicalUnit	cwTrapVars	cwTrapPhysicalUnit	INTEGER	SNMP	read-only
CISCO-WAN-TRAP-VARS-MIB.cwTrapPhysicalVendorType	cwTrapVars	cwTrapPhysicalVendorType	AutonomousType	SNMP	read-only
CISCO-WAN-TRAP-VARS-MIB.cwTrapSctCardType	cwTrapVars	cwTrapSctCardType	INTEGER	SNMP	read-only
CISCO-WAN-TRAP-VARS-MIB.cwTrapSctId	cwTrapVars	cwTrapSctId	Unsigned32	SNMP	read-only
CISCO-WAN-TRAP-VARS-MIB.cwTrapSctMajorVersion	cwTrapVars	cwTrapSctMajorVersion	Unsigned32	SNMP	read-only
CISCO-WAN-TRAP-VARS-MIB.cwTrapSctType	cwTrapVars	cwTrapSctType	INTEGER	SNMP	read-only
CISCO-WAN-TRAP-VARS-MIB.cwTrapSlotNumber	cwTrapVars	cwTrapSlotNumber	Integer32	SNMP	read-only
ENTITY-MIB.entPhysicalContainedIn	entPhysicalEntry	entPhysicalContainedIn	INTEGER	SNMP	read-only
ENTITY-MIB.entPhysicalDescr	entPhysicalEntry	entPhysicalDescr	SnmpAdminString	SNMP	read-only

Table A-334 cwModuleConfigCleared Class Attributes (continued)

ENTITY-MIB.entPhysicalParentRelPos	entPhysicalEntry	entPhysicalParentRelPos	INTEGER	SNMP	read-only
ENTITY-MIB.entPhysicalVendorType	entPhysicalEntry	entPhysicalVendorType	AutonomousType	SNMP	read-only

cwCoreCardSwitch Class

Table A-335 cwCoreCardSwitch Class Attributes

Name	Module	Object	Type	Section	Access
CISCO-WAN-TRAP-VARS-MIB.cwTrapCardRole	cwTrapVars	cwTrapCardRole	INTEGER	SNMP	read-only
CISCO-WAN-TRAP-VARS-MIB.cwTrapDisplayString	cwTrapVars	cwTrapDisplayString	DisplayString	SNMP	read-only
CISCO-WAN-TRAP-VARS-MIB.cwTrapIndex	cwTrapVars	cwTrapIndex	Integer32	SNMP	read-only
CISCO-WAN-TRAP-VARS-MIB.cwTrapLineModuleNumber	cwTrapVars	cwTrapLineModuleNumber	Integer32	SNMP	read-only
CISCO-WAN-TRAP-VARS-MIB.cwTrapOctetString	cwTrapVars	cwTrapOctetString	OCTET	SNMP	read-only
CISCO-WAN-TRAP-VARS-MIB.cwTrapPhysicalContainer	cwTrapVars	cwTrapPhysicalContainer	INTEGER	SNMP	read-only
CISCO-WAN-TRAP-VARS-MIB.cwTrapPhysicalUnit	cwTrapVars	cwTrapPhysicalUnit	INTEGER	SNMP	read-only
CISCO-WAN-TRAP-VARS-MIB.cwTrapPhysicalVendorType	cwTrapVars	cwTrapPhysicalVendorType	AutonomousType	SNMP	read-only
CISCO-WAN-TRAP-VARS-MIB.cwTrapSctCardType	cwTrapVars	cwTrapSctCardType	INTEGER	SNMP	read-only
CISCO-WAN-TRAP-VARS-MIB.cwTrapSctId	cwTrapVars	cwTrapSctId	Unsigned32	SNMP	read-only
CISCO-WAN-TRAP-VARS-MIB.cwTrapSctMajorVersion	cwTrapVars	cwTrapSctMajorVersion	Unsigned32	SNMP	read-only
CISCO-WAN-TRAP-VARS-MIB.cwTrapSctType	cwTrapVars	cwTrapSctType	INTEGER	SNMP	read-only
CISCO-WAN-TRAP-VARS-MIB.cwTrapSlotNumber	cwTrapVars	cwTrapSlotNumber	Integer32	SNMP	read-only
ENTITY-MIB.entPhysicalContainedIn	entPhysicalEntry	entPhysicalContainedIn	INTEGER	SNMP	read-only
ENTITY-MIB.entPhysicalDescr	entPhysicalEntry	entPhysicalDescr	SnmpAdminString	SNMP	read-only

Table A-335 cwCoreCardSwitch Class Attributes (continued)

ENTITY-MIB.entPhysicalParentRelPos	entPhysicalEntry	entPhysicalParentRelPos	INTEGER	SNMP	read-only
ENTITY-MIB.entPhysicalVendorType	entPhysicalEntry	entPhysicalVendorType	AutonomousType	SNMP	read-only

cwRedundancyAdd Class

Table A-336 cwRedundancyAdd Class Attributes

Name	Module	Object	Type	Section	Access
CISCO-WAN-TRAP-VARS-MIB.cwTrapCardRole	cwTrapVars	cwTrapCardRole	INTEGER	SNMP	read-only
CISCO-WAN-TRAP-VARS-MIB.cwTrapDisplayString	cwTrapVars	cwTrapDisplayString	DisplayString	SNMP	read-only
CISCO-WAN-TRAP-VARS-MIB.cwTrapIndex	cwTrapVars	cwTrapIndex	Integer32	SNMP	read-only
CISCO-WAN-TRAP-VARS-MIB.cwTrapLineModuleNumber	cwTrapVars	cwTrapLineModuleNumber	Integer32	SNMP	read-only
CISCO-WAN-TRAP-VARS-MIB.cwTrapOctetString	cwTrapVars	cwTrapOctetString	OCTET	SNMP	read-only
CISCO-WAN-TRAP-VARS-MIB.cwTrapPhysicalContainer	cwTrapVars	cwTrapPhysicalContainer	INTEGER	SNMP	read-only
CISCO-WAN-TRAP-VARS-MIB.cwTrapPhysicalUnit	cwTrapVars	cwTrapPhysicalUnit	INTEGER	SNMP	read-only
CISCO-WAN-TRAP-VARS-MIB.cwTrapPhysicalVendorType	cwTrapVars	cwTrapPhysicalVendorType	AutonomousType	SNMP	read-only
CISCO-WAN-TRAP-VARS-MIB.cwTrapSctCardType	cwTrapVars	cwTrapSctCardType	INTEGER	SNMP	read-only
CISCO-WAN-TRAP-VARS-MIB.cwTrapSctId	cwTrapVars	cwTrapSctId	Unsigned32	SNMP	read-only
CISCO-WAN-TRAP-VARS-MIB.cwTrapSctMajorVersion	cwTrapVars	cwTrapSctMajorVersion	Unsigned32	SNMP	read-only
CISCO-WAN-TRAP-VARS-MIB.cwTrapSctType	cwTrapVars	cwTrapSctType	INTEGER	SNMP	read-only
CISCO-WAN-TRAP-VARS-MIB.cwTrapSlotNumber	cwTrapVars	cwTrapSlotNumber	Integer32	SNMP	read-only
ENTITY-MIB.entPhysicalContainedIn	entPhysicalEntry	entPhysicalContainedIn	INTEGER	SNMP	read-only
ENTITY-MIB.entPhysicalDescriptor	entPhysicalEntry	entPhysicalDescriptor	SnmpAdminString	SNMP	read-only

Table A-336 cwRedundancyAdd Class Attributes (continued)

ENTITY-MIB.entPhysicalParentRelPos	entPhysicalEntry	entPhysicalParentRelPos	INTEGER	SNMP	read-only
ENTITY-MIB.entPhysicalVendorType	entPhysicalEntry	entPhysicalVendorType	AutonomousType	SNMP	read-only

cwRedundancyDelete Class

Table A-337 cwRedundancyDelete Class Attributes

Name	Module	Object	Type	Section	Access
CISCO-WAN-TRAP-VARS-MIB.cwTrapCardRole	cwTrapVars	cwTrapCardRole	INTEGER	SNMP	read-only
CISCO-WAN-TRAP-VARS-MIB.cwTrapDisplayString	cwTrapVars	cwTrapDisplayString	DisplayString	SNMP	read-only
CISCO-WAN-TRAP-VARS-MIB.cwTrapIndex	cwTrapVars	cwTrapIndex	Integer32	SNMP	read-only
CISCO-WAN-TRAP-VARS-MIB.cwTrapLineModuleNumber	cwTrapVars	cwTrapLineModuleNumber	Integer32	SNMP	read-only
CISCO-WAN-TRAP-VARS-MIB.cwTrapOctetString	cwTrapVars	cwTrapOctetString	OCTET	SNMP	read-only
CISCO-WAN-TRAP-VARS-MIB.cwTrapPhysicalContainer	cwTrapVars	cwTrapPhysicalContainer	INTEGER	SNMP	read-only
CISCO-WAN-TRAP-VARS-MIB.cwTrapPhysicalUnit	cwTrapVars	cwTrapPhysicalUnit	INTEGER	SNMP	read-only
CISCO-WAN-TRAP-VARS-MIB.cwTrapPhysicalVendorType	cwTrapVars	cwTrapPhysicalVendorType	AutonomousType	SNMP	read-only
CISCO-WAN-TRAP-VARS-MIB.cwTrapSctCardType	cwTrapVars	cwTrapSctCardType	INTEGER	SNMP	read-only
CISCO-WAN-TRAP-VARS-MIB.cwTrapSctId	cwTrapVars	cwTrapSctId	Unsigned32	SNMP	read-only
CISCO-WAN-TRAP-VARS-MIB.cwTrapSctMajorVersion	cwTrapVars	cwTrapSctMajorVersion	Unsigned32	SNMP	read-only
CISCO-WAN-TRAP-VARS-MIB.cwTrapSctType	cwTrapVars	cwTrapSctType	INTEGER	SNMP	read-only
CISCO-WAN-TRAP-VARS-MIB.cwTrapSlotNumber	cwTrapVars	cwTrapSlotNumber	Integer32	SNMP	read-only
ENTITY-MIB.entPhysicalContainedIn	entPhysicalEntry	entPhysicalContainedIn	INTEGER	SNMP	read-only
ENTITY-MIB.entPhysicalDescr	entPhysicalEntry	entPhysicalDescr	SnmAdminString	SNMP	read-only

Table A-337 cwRedundancyDelete Class Attributes (continued)

ENTITY-MIB.entPhysicalParentRelPos	entPhysicalEntry	entPhysicalParentRelPos	INTEGER	SNMP	read-only
ENTITY-MIB.entPhysicalVendorType	entPhysicalEntry	entPhysicalVendorType	AutonomousType	SNMP	read-only

cwRedundancyActivate Class

Table A-338 cwRedundancyActivate Class Attributes

Name	Module	Object	Type	Section	Access
CISCO-WAN-TRAP-VARS-MIB.cwTrapCardRole	cwTrapVars	cwTrapCardRole	INTEGER	SNMP	read-only
CISCO-WAN-TRAP-VARS-MIB.cwTrapDisplayString	cwTrapVars	cwTrapDisplayString	DisplayString	SNMP	read-only
CISCO-WAN-TRAP-VARS-MIB.cwTrapIndex	cwTrapVars	cwTrapIndex	Integer32	SNMP	read-only
CISCO-WAN-TRAP-VARS-MIB.cwTrapLineModuleNumber	cwTrapVars	cwTrapLineModuleNumber	Integer32	SNMP	read-only
CISCO-WAN-TRAP-VARS-MIB.cwTrapOctetString	cwTrapVars	cwTrapOctetString	OCTET	SNMP	read-only
CISCO-WAN-TRAP-VARS-MIB.cwTrapPhysicalContainer	cwTrapVars	cwTrapPhysicalContainer	INTEGER	SNMP	read-only
CISCO-WAN-TRAP-VARS-MIB.cwTrapPhysicalUnit	cwTrapVars	cwTrapPhysicalUnit	INTEGER	SNMP	read-only
CISCO-WAN-TRAP-VARS-MIB.cwTrapPhysicalVendorType	cwTrapVars	cwTrapPhysicalVendorType	AutonomousType	SNMP	read-only
CISCO-WAN-TRAP-VARS-MIB.cwTrapSctCardType	cwTrapVars	cwTrapSctCardType	INTEGER	SNMP	read-only
CISCO-WAN-TRAP-VARS-MIB.cwTrapSctId	cwTrapVars	cwTrapSctId	Unsigned32	SNMP	read-only
CISCO-WAN-TRAP-VARS-MIB.cwTrapSctMajorVersion	cwTrapVars	cwTrapSctMajorVersion	Unsigned32	SNMP	read-only
CISCO-WAN-TRAP-VARS-MIB.cwTrapSctType	cwTrapVars	cwTrapSctType	INTEGER	SNMP	read-only
CISCO-WAN-TRAP-VARS-MIB.cwTrapSlotNumber	cwTrapVars	cwTrapSlotNumber	Integer32	SNMP	read-only
ENTITY-MIB.entPhysicalContainedIn	entPhysicalEntry	entPhysicalContainedIn	INTEGER	SNMP	read-only
ENTITY-MIB.entPhysicalDescr	entPhysicalEntry	entPhysicalDescr	SnmpAdminString	SNMP	read-only

Table A-338 cwRedundancyActivate Class Attributes (continued)

ENTITY-MIB.entPhysicalParentRelPos	entPhysicalEntry	entPhysicalParentRelPos	INTEGER	SNMP	read-only
ENTITY-MIB.entPhysicalVendorType	entPhysicalEntry	entPhysicalVendorType	AutonomousType	SNMP	read-only

cwRedundancyRevert Class

Table A-339 cwRedundancyRevert Class Attributes

Name	Module	Object	Type	Section	Access
CISCO-WAN-TRAP-VARS-MIB.cwTrapCardRole	cwTrapVars	cwTrapCardRole	INTEGER	SNMP	read-only
CISCO-WAN-TRAP-VARS-MIB.cwTrapDisplayString	cwTrapVars	cwTrapDisplayString	DisplayString	SNMP	read-only
CISCO-WAN-TRAP-VARS-MIB.cwTrapIndex	cwTrapVars	cwTrapIndex	Integer32	SNMP	read-only
CISCO-WAN-TRAP-VARS-MIB.cwTrapLineModuleNumber	cwTrapVars	cwTrapLineModuleNumber	Integer32	SNMP	read-only
CISCO-WAN-TRAP-VARS-MIB.cwTrapOctetString	cwTrapVars	cwTrapOctetString	OCTET	SNMP	read-only
CISCO-WAN-TRAP-VARS-MIB.cwTrapPhysicalContainer	cwTrapVars	cwTrapPhysicalContainer	INTEGER	SNMP	read-only
CISCO-WAN-TRAP-VARS-MIB.cwTrapPhysicalUnit	cwTrapVars	cwTrapPhysicalUnit	INTEGER	SNMP	read-only
CISCO-WAN-TRAP-VARS-MIB.cwTrapPhysicalVendorType	cwTrapVars	cwTrapPhysicalVendorType	AutonomousType	SNMP	read-only
CISCO-WAN-TRAP-VARS-MIB.cwTrapSctCardType	cwTrapVars	cwTrapSctCardType	INTEGER	SNMP	read-only
CISCO-WAN-TRAP-VARS-MIB.cwTrapSctId	cwTrapVars	cwTrapSctId	Unsigned32	SNMP	read-only
CISCO-WAN-TRAP-VARS-MIB.cwTrapSctMajorVersion	cwTrapVars	cwTrapSctMajorVersion	Unsigned32	SNMP	read-only
CISCO-WAN-TRAP-VARS-MIB.cwTrapSctType	cwTrapVars	cwTrapSctType	INTEGER	SNMP	read-only
CISCO-WAN-TRAP-VARS-MIB.cwTrapSlotNumber	cwTrapVars	cwTrapSlotNumber	Integer32	SNMP	read-only
ENTITY-MIB.entPhysicalContainedIn	entPhysicalEntry	entPhysicalContainedIn	INTEGER	SNMP	read-only
ENTITY-MIB.entPhysicalDescr	entPhysicalEntry	entPhysicalDescr	SnmAdminString	SNMP	read-only

Table A-339 cwRedundancyRevert Class Attributes (continued)

ENTITY-MIB.entPhysicalParentRelPos	entPhysicalEntry	entPhysicalParentRelPos	INTEGER	SNMP	read-only
ENTITY-MIB.entPhysicalVendorType	entPhysicalEntry	entPhysicalVendorType	AutonomousType	SNMP	read-only

cwaChanAdd Class

Table A-340 cwaChanAdd Class Attributes

Name	Module	Object	Type	Section	Access
CISCO-WAN-ATM-CONN-MIB.cwaChanAlarmState	cwAtmChanStateEntry	cwaChanAlarmState	CiscoWanAlarmState	SNMP	read-only
CISCO-WAN-ATM-CONN-MIB.cwaChanEgressRcvState	cwAtmChanStateEntry	cwaChanEgressRcvState	CiscoWanRcvState	SNMP	read-only
CISCO-WAN-ATM-CONN-MIB.cwaChanEgressXmtState	cwAtmChanStateEntry	cwaChanEgressXmtState	CiscoWanXmtState	SNMP	read-only
CISCO-WAN-ATM-CONN-MIB.cwaChanIdentifier	cwAtmChanCnfgEntry	cwaChanIdentifier	Unsigned32	SNMP	read-only
CISCO-WAN-ATM-CONN-MIB.cwaChanIngressRcvState	cwAtmChanStateEntry	cwaChanIngressRcvState	CiscoWanRcvState	SNMP	read-only
CISCO-WAN-ATM-CONN-MIB.cwaChanIngressXmtState	cwAtmChanStateEntry	cwaChanIngressXmtState	CiscoWanXmtState	SNMP	read-only
CISCO-WAN-ATM-CONN-MIB.cwaChanLocalVci	cwAtmChanCnfgEntry	cwaChanLocalVci	Unsigned32	SNMP	read-only
CISCO-WAN-ATM-CONN-MIB.cwaChanLocalVpi	cwAtmChanCnfgEntry	cwaChanLocalVpi	Unsigned32	SNMP	read-only
CISCO-WAN-ATM-CONN-MIB.cwaChanNumVCCsInAlarm	cwAtmChanInformation	cwaChanNumVCCsInAlarm	Unsigned32	SNMP	read-only
CISCO-WAN-ATM-CONN-MIB.cwaChanNumVPCsInAlarm	cwAtmChanInformation	cwaChanNumVPCsInAlarm	Unsigned32	SNMP	read-only
CISCO-WAN-ATM-CONN-MIB.cwaChanOperStatus	cwAtmChanCnfgEntry	cwaChanOperStatus	CiscoWanOperStatus	SNMP	read-only
CISCO-WAN-ATM-CONN-MIB.cwaChanUploadCounter	cwAtmChanCnfgEntry	cwaChanUploadCounter	Unsigned32	SNMP	read-only
CISCO-WAN-ATM-CONN-MIB.cwaChanVpcFlag	cwAtmChanCnfgEntry	cwaChanVpcFlag	TruthValue	SNMP	read-create
IF-MIB.ifIndex	ifEntry	ifIndex	InterfaceIndex	SNMP, LocalDB	read-only
IF-MIB.ifName	ifXEntry	ifName	DisplayString	SNMP	read-only
IF-MIB.ifType	ifEntry	ifType	IANAifType	SNMP	read-only

cwaChanDelete Class

Table A-341 cwaChanDelete Class Attributes

Name	Module	Object	Type	Section	Access
CISCO-WAN-ATM-CONN-MIB.cwaChanAlarmState	cwAtmChanStateEntry	cwaChanAlarmState	CiscoWanAlarmState	SNMP	read-only
CISCO-WAN-ATM-CONN-MIB.cwaChanEgressRcvState	cwAtmChanStateEntry	cwaChanEgressRcvState	CiscoWanRcvState	SNMP	read-only
CISCO-WAN-ATM-CONN-MIB.cwaChanEgressXmtState	cwAtmChanStateEntry	cwaChanEgressXmtState	CiscoWanXmtState	SNMP	read-only
CISCO-WAN-ATM-CONN-MIB.cwaChanIdentifier	cwAtmChanCfgEntry	cwaChanIdentifier	Unsigned32	SNMP	read-only
CISCO-WAN-ATM-CONN-MIB.cwaChanIngressRcvState	cwAtmChanStateEntry	cwaChanIngressRcvState	CiscoWanRcvState	SNMP	read-only
CISCO-WAN-ATM-CONN-MIB.cwaChanIngressXmtState	cwAtmChanStateEntry	cwaChanIngressXmtState	CiscoWanXmtState	SNMP	read-only
CISCO-WAN-ATM-CONN-MIB.cwaChanLocalVci	cwAtmChanCfgEntry	cwaChanLocalVci	Unsigned32	SNMP	read-only
CISCO-WAN-ATM-CONN-MIB.cwaChanLocalVpi	cwAtmChanCfgEntry	cwaChanLocalVpi	Unsigned32	SNMP	read-only
CISCO-WAN-ATM-CONN-MIB.cwaChanNumVCCsInAlarm	cwAtmChanInformation	cwaChanNumVCCsInAlarm	Unsigned32	SNMP	read-only
CISCO-WAN-ATM-CONN-MIB.cwaChanNumVPCsInAlarm	cwAtmChanInformation	cwaChanNumVPCsInAlarm	Unsigned32	SNMP	read-only
CISCO-WAN-ATM-CONN-MIB.cwaChanOperStatus	cwAtmChanCfgEntry	cwaChanOperStatus	CiscoWanOperStatus	SNMP	read-only
CISCO-WAN-ATM-CONN-MIB.cwaChanUploadCounter	cwAtmChanCfgEntry	cwaChanUploadCounter	Unsigned32	SNMP	read-only
CISCO-WAN-ATM-CONN-MIB.cwaChanVpcFlag	cwAtmChanCfgEntry	cwaChanVpcFlag	TruthValue	SNMP	read-create
IF-MIB.ifIndex	ifEntry	ifIndex	InterfaceIndex	SNMP, LocalDB	read-only
IF-MIB.ifName	ifXEntry	ifName	DisplayString	SNMP	read-only
IF-MIB.ifType	ifEntry	ifType	IANAifType	SNMP	read-only

cwaChanActive Class

Table A-342 *cwaChanActive Class Attributes*

Name	Module	Object	Type	Section	Access
CISCO-WAN-ATM-CONN-MIB .cwaChanAlarmState	cwAtmChanStateEntry	cwaChanAlarmState	CiscoWanAlarmState	SNMP	read-only
CISCO-WAN-ATM-CONN-MIB .cwaChanEgressRcvState	cwAtmChanStateEntry	cwaChanEgressRcvState	CiscoWanRcvState	SNMP	read-only
CISCO-WAN-ATM-CONN-MIB .cwaChanEgressXmtState	cwAtmChanStateEntry	cwaChanEgressXmtState	CiscoWanXmtState	SNMP	read-only
CISCO-WAN-ATM-CONN-MIB .cwaChanIdentifier	cwAtmChanCnfgEntry	cwaChanIdentifier	Unsigned32	SNMP	read-only
CISCO-WAN-ATM-CONN-MIB .cwaChanIngressRcvState	cwAtmChanStateEntry	cwaChanIngressRcvState	CiscoWanRcvState	SNMP	read-only
CISCO-WAN-ATM-CONN-MIB .cwaChanIngressXmtState	cwAtmChanStateEntry	cwaChanIngressXmtState	CiscoWanXmtState	SNMP	read-only
CISCO-WAN-ATM-CONN-MIB .cwaChanLocalVci	cwAtmChanCnfgEntry	cwaChanLocalVci	Unsigned32	SNMP	read-only
CISCO-WAN-ATM-CONN-MIB .cwaChanLocalVpi	cwAtmChanCnfgEntry	cwaChanLocalVpi	Unsigned32	SNMP	read-only
CISCO-WAN-ATM-CONN-MIB .cwaChanNumVCCsInAlarm	cwAtmChanInformation	cwaChanNumVCCsInAlarm	Unsigned32	SNMP	read-only
CISCO-WAN-ATM-CONN-MIB .cwaChanNumVPCsInAlarm	cwAtmChanInformation	cwaChanNumVPCsInAlarm	Unsigned32	SNMP	read-only
CISCO-WAN-ATM-CONN-MIB .cwaChanOperStatus	cwAtmChanCnfgEntry	cwaChanOperStatus	CiscoWanOperStatus	SNMP	read-only
CISCO-WAN-ATM-CONN-MIB .cwaChanUploadCounter	cwAtmChanCnfgEntry	cwaChanUploadCounter	Unsigned32	SNMP	read-only
CISCO-WAN-ATM-CONN-MIB .cwaChanVpcFlag	cwAtmChanCnfgEntry	cwaChanVpcFlag	TruthValue	SNMP	read-create
IF-MIB.ifIndex	ifEntry	ifIndex	InterfaceIndex	SNMP, LocalDB	read-only
IF-MIB.ifName	ifXEntry	ifName	DisplayString	SNMP	read-only
IF-MIB.ifType	ifEntry	ifType	IANAifType	SNMP	read-only

cwaChanFail Class

Table A-343 cwaChanFail Class Attributes

Name	Module	Object	Type	Section	Access
CISCO-WAN-ATM-CONN-MIB.cwaChanAlarmState	cwAtmChanStateEntry	cwaChanAlarmState	CiscoWanAlarmState	SNMP	read-only
CISCO-WAN-ATM-CONN-MIB.cwaChanEgressRcvState	cwAtmChanStateEntry	cwaChanEgressRcvState	CiscoWanRcvState	SNMP	read-only
CISCO-WAN-ATM-CONN-MIB.cwaChanEgressXmtState	cwAtmChanStateEntry	cwaChanEgressXmtState	CiscoWanXmtState	SNMP	read-only
CISCO-WAN-ATM-CONN-MIB.cwaChanIdentifier	cwAtmChanCfgEntry	cwaChanIdentifier	Unsigned32	SNMP	read-only
CISCO-WAN-ATM-CONN-MIB.cwaChanIngressRcvState	cwAtmChanStateEntry	cwaChanIngressRcvState	CiscoWanRcvState	SNMP	read-only
CISCO-WAN-ATM-CONN-MIB.cwaChanIngressXmtState	cwAtmChanStateEntry	cwaChanIngressXmtState	CiscoWanXmtState	SNMP	read-only
CISCO-WAN-ATM-CONN-MIB.cwaChanLocalVci	cwAtmChanCfgEntry	cwaChanLocalVci	Unsigned32	SNMP	read-only
CISCO-WAN-ATM-CONN-MIB.cwaChanLocalVpi	cwAtmChanCfgEntry	cwaChanLocalVpi	Unsigned32	SNMP	read-only
CISCO-WAN-ATM-CONN-MIB.cwaChanNumVCCsInAlarm	cwAtmChanInformation	cwaChanNumVCCsInAlarm	Unsigned32	SNMP	read-only
CISCO-WAN-ATM-CONN-MIB.cwaChanNumVPCsInAlarm	cwAtmChanInformation	cwaChanNumVPCsInAlarm	Unsigned32	SNMP	read-only
CISCO-WAN-ATM-CONN-MIB.cwaChanOperStatus	cwAtmChanCfgEntry	cwaChanOperStatus	CiscoWanOperStatus	SNMP	read-only
CISCO-WAN-ATM-CONN-MIB.cwaChanUploadCounter	cwAtmChanCfgEntry	cwaChanUploadCounter	Unsigned32	SNMP	read-only
CISCO-WAN-ATM-CONN-MIB.cwaChanVpcFlag	cwAtmChanCfgEntry	cwaChanVpcFlag	TruthValue	SNMP	read-create
IF-MIB.ifIndex	ifEntry	ifIndex	InterfaceIndex	SNMP, LocalDB	read-only
IF-MIB.ifName	ifXEntry	ifName	DisplayString	SNMP	read-only
IF-MIB.ifType	ifEntry	ifType	IANAifType	SNMP	read-only

cwaChanConfigChange Class

Table A-344 *cwaChanConfigChange Class Attributes*

Name	Module	Object	Type	Section	Access
CISCO-WAN-ATM-CONN-MIB .cwaChanAlarmState	cwAtmChanStateEntry	cwaChanAlarmState	CiscoWanAlarmState	SNMP	read-only
CISCO-WAN-ATM-CONN-MIB .cwaChanEgressRcvState	cwAtmChanStateEntry	cwaChanEgressRcvState	CiscoWanRcvState	SNMP	read-only
CISCO-WAN-ATM-CONN-MIB .cwaChanEgressXmtState	cwAtmChanStateEntry	cwaChanEgressXmtState	CiscoWanXmtState	SNMP	read-only
CISCO-WAN-ATM-CONN-MIB .cwaChanIdentifier	cwAtmChanCnfgEntry	cwaChanIdentifier	Unsigned32	SNMP	read-only
CISCO-WAN-ATM-CONN-MIB .cwaChanIngressRcvState	cwAtmChanStateEntry	cwaChanIngressRcvState	CiscoWanRcvState	SNMP	read-only
CISCO-WAN-ATM-CONN-MIB .cwaChanIngressXmtState	cwAtmChanStateEntry	cwaChanIngressXmtState	CiscoWanXmtState	SNMP	read-only
CISCO-WAN-ATM-CONN-MIB .cwaChanLocalVci	cwAtmChanCnfgEntry	cwaChanLocalVci	Unsigned32	SNMP	read-only
CISCO-WAN-ATM-CONN-MIB .cwaChanLocalVpi	cwAtmChanCnfgEntry	cwaChanLocalVpi	Unsigned32	SNMP	read-only
CISCO-WAN-ATM-CONN-MIB .cwaChanNumVCCsInAlarm	cwAtmChanInformation	cwaChanNumVCCsInAlarm	Unsigned32	SNMP	read-only
CISCO-WAN-ATM-CONN-MIB .cwaChanNumVPCsInAlarm	cwAtmChanInformation	cwaChanNumVPCsInAlarm	Unsigned32	SNMP	read-only
CISCO-WAN-ATM-CONN-MIB .cwaChanOperStatus	cwAtmChanCnfgEntry	cwaChanOperStatus	CiscoWanOperStatus	SNMP	read-only
CISCO-WAN-ATM-CONN-MIB .cwaChanUploadCounter	cwAtmChanCnfgEntry	cwaChanUploadCounter	Unsigned32	SNMP	read-only
CISCO-WAN-ATM-CONN-MIB .cwaChanVpcFlag	cwAtmChanCnfgEntry	cwaChanVpcFlag	TruthValue	SNMP	read-create
IF-MIB.ifIndex	ifEntry	ifIndex	InterfaceIndex	SNMP, LocalDB	read-only
IF-MIB.ifName	ifXEntry	ifName	DisplayString	SNMP	read-only
IF-MIB.ifType	ifEntry	ifType	IANAifType	SNMP	read-only

cwaChanMultipleChanInAlarms Class

Table A-345 cwaChanMultipleChanInAlarms Class Attributes

Name	Module	Object	Type	Section	Access
ENTITY-MIB.entPhysicalContainedIn	entPhysicalEntry	entPhysicalContainedIn	INTEGER	SNMP	read-only
ENTITY-MIB.entPhysicalDescr	entPhysicalEntry	entPhysicalDescr	SnmpAdminString	SNMP	read-only
ENTITY-MIB.entPhysicalParentRelPos	entPhysicalEntry	entPhysicalParentRelPos	INTEGER	SNMP	read-only
ENTITY-MIB.entPhysicalVendorType	entPhysicalEntry	entPhysicalVendorType	AutonomousType	SNMP	read-only

cwaChanDown Class

Table A-346 cwaChanDown Class Attributes

Name	Module	Object	Type	Section	Access
CISCO-WAN-ATM-CONN-MIB.cwaChanAlarmState	cwAtmChanStateEntry	cwaChanAlarmState	CiscoWanAlarmState	SNMP	read-only
CISCO-WAN-ATM-CONN-MIB.cwaChanEgressRcvState	cwAtmChanStateEntry	cwaChanEgressRcvState	CiscoWanRcvState	SNMP	read-only
CISCO-WAN-ATM-CONN-MIB.cwaChanEgressXmtState	cwAtmChanStateEntry	cwaChanEgressXmtState	CiscoWanXmtState	SNMP	read-only
CISCO-WAN-ATM-CONN-MIB.cwaChanIdentifier	cwAtmChanCfgEntry	cwaChanIdentifier	Unsigned32	SNMP	read-only
CISCO-WAN-ATM-CONN-MIB.cwaChanIngressRcvState	cwAtmChanStateEntry	cwaChanIngressRcvState	CiscoWanRcvState	SNMP	read-only
CISCO-WAN-ATM-CONN-MIB.cwaChanIngressXmtState	cwAtmChanStateEntry	cwaChanIngressXmtState	CiscoWanXmtState	SNMP	read-only
CISCO-WAN-ATM-CONN-MIB.cwaChanLocalVci	cwAtmChanCfgEntry	cwaChanLocalVci	Unsigned32	SNMP	read-only
CISCO-WAN-ATM-CONN-MIB.cwaChanLocalVpi	cwAtmChanCfgEntry	cwaChanLocalVpi	Unsigned32	SNMP	read-only
CISCO-WAN-ATM-CONN-MIB.cwaChanNumVCCsInAlarm	cwAtmChanInformation	cwaChanNumVCCsInAlarm	Unsigned32	SNMP	read-only
CISCO-WAN-ATM-CONN-MIB.cwaChanNumVPCsInAlarm	cwAtmChanInformation	cwaChanNumVPCsInAlarm	Unsigned32	SNMP	read-only
CISCO-WAN-ATM-CONN-MIB.cwaChanOperStatus	cwAtmChanCfgEntry	cwaChanOperStatus	CiscoWanOperStatus	SNMP	read-only

Table A-346 cwaChanDown Class Attributes (continued)

CISCO-WAN-ATM-CONN-MIB .cwaChanUploadCounter	cwAtmChanCnfgEntry	cwaChanUploadCounter	Unsigned32	SNMP	read-only
CISCO-WAN-ATM-CONN-MIB .cwaChanVpcFlag	cwAtmChanCnfgEntry	cwaChanVpcFlag	TruthValue	SNMP	read-create
IF-MIB.ifIndex	ifEntry	ifIndex	InterfaceIndex	SNMP, LocalDB	read-only
IF-MIB.ifName	ifXEntry	ifName	DisplayString	SNMP	read-only
IF-MIB.ifType	ifEntry	ifType	IANAifType	SNMP	read-only

cwaChanUp Class

Table A-347 cwaChanUp Class Attributes

Name	Module	Object	Type	Section	Access
CISCO-WAN-ATM-CONN-MIB .cwaChanAlarmState	cwAtmChanStateEntry	cwaChanAlarmState	CiscoWanAlarmState	SNMP	read-only
CISCO-WAN-ATM-CONN-MIB .cwaChanEgressRcvState	cwAtmChanStateEntry	cwaChanEgressRcvState	CiscoWanRcvState	SNMP	read-only
CISCO-WAN-ATM-CONN-MIB .cwaChanEgressXmtState	cwAtmChanStateEntry	cwaChanEgressXmtState	CiscoWanXmtState	SNMP	read-only
CISCO-WAN-ATM-CONN-MIB .cwaChanIdentifier	cwAtmChanCnfgEntry	cwaChanIdentifier	Unsigned32	SNMP	read-only
CISCO-WAN-ATM-CONN-MIB .cwaChanIngressRcvState	cwAtmChanStateEntry	cwaChanIngressRcvState	CiscoWanRcvState	SNMP	read-only
CISCO-WAN-ATM-CONN-MIB .cwaChanIngressXmtState	cwAtmChanStateEntry	cwaChanIngressXmtState	CiscoWanXmtState	SNMP	read-only
CISCO-WAN-ATM-CONN-MIB .cwaChanLocalVci	cwAtmChanCnfgEntry	cwaChanLocalVci	Unsigned32	SNMP	read-only
CISCO-WAN-ATM-CONN-MIB .cwaChanLocalVpi	cwAtmChanCnfgEntry	cwaChanLocalVpi	Unsigned32	SNMP	read-only
CISCO-WAN-ATM-CONN-MIB .cwaChanNumVCCsInAlarm	cwAtmChanInformation	cwaChanNumVCCsInAlarm	Unsigned32	SNMP	read-only
CISCO-WAN-ATM-CONN-MIB .cwaChanNumVPCsInAlarm	cwAtmChanInformation	cwaChanNumVPCsInAlarm	Unsigned32	SNMP	read-only
CISCO-WAN-ATM-CONN-MIB .cwaChanOperStatus	cwAtmChanCnfgEntry	cwaChanOperStatus	CiscoWanOperStatus	SNMP	read-only
CISCO-WAN-ATM-CONN-MIB .cwaChanUploadCounter	cwAtmChanCnfgEntry	cwaChanUploadCounter	Unsigned32	SNMP	read-only
CISCO-WAN-ATM-CONN-MIB .cwaChanVpcFlag	cwAtmChanCnfgEntry	cwaChanVpcFlag	TruthValue	SNMP	read-create

Table A-347 cwaChanUp Class Attributes (continued)

IF-MIB.ifIndex	ifEntry	ifIndex	InterfaceIndex	SNMP, LocalDB	read-only
IF-MIB.ifName	ifXEntry	ifName	DisplayString	SNMP	read-only
IF-MIB.ifType	ifEntry	ifType	IANAifType	SNMP	read-only

cwaChanMajorAlarm Class

Table A-348 cwaChanMajorAlarm Class Attributes

Name	Module	Object	Type	Section	Access
CISCO-WAN-ATM-CONN-MIB .cwaChanAlarmState	cwAtmChanStateEntry	cwaChanAlarmState	CiscoWanAlarmState	SNMP	read-only
CISCO-WAN-ATM-CONN-MIB .cwaChanEgressRcvState	cwAtmChanStateEntry	cwaChanEgressRcvState	CiscoWanRcvState	SNMP	read-only
CISCO-WAN-ATM-CONN-MIB .cwaChanEgressXmtState	cwAtmChanStateEntry	cwaChanEgressXmtState	CiscoWanXmtState	SNMP	read-only
CISCO-WAN-ATM-CONN-MIB .cwaChanIdentifier	cwAtmChanCfgEntry	cwaChanIdentifier	Unsigned32	SNMP	read-only
CISCO-WAN-ATM-CONN-MIB .cwaChanIngressRcvState	cwAtmChanStateEntry	cwaChanIngressRcvState	CiscoWanRcvState	SNMP	read-only
CISCO-WAN-ATM-CONN-MIB .cwaChanIngressXmtState	cwAtmChanStateEntry	cwaChanIngressXmtState	CiscoWanXmtState	SNMP	read-only
CISCO-WAN-ATM-CONN-MIB .cwaChanLocalVci	cwAtmChanCfgEntry	cwaChanLocalVci	Unsigned32	SNMP	read-only
CISCO-WAN-ATM-CONN-MIB .cwaChanLocalVpi	cwAtmChanCfgEntry	cwaChanLocalVpi	Unsigned32	SNMP	read-only
CISCO-WAN-ATM-CONN-MIB .cwaChanNumVCCsInAlarm	cwAtmChanInformation	cwaChanNumVCCsInAlarm	Unsigned32	SNMP	read-only
CISCO-WAN-ATM-CONN-MIB .cwaChanNumVPCsInAlarm	cwAtmChanInformation	cwaChanNumVPCsInAlarm	Unsigned32	SNMP	read-only
CISCO-WAN-ATM-CONN-MIB .cwaChanOperStatus	cwAtmChanCfgEntry	cwaChanOperStatus	CiscoWanOperStatus	SNMP	read-only
CISCO-WAN-ATM-CONN-MIB .cwaChanUploadCounter	cwAtmChanCfgEntry	cwaChanUploadCounter	Unsigned32	SNMP	read-only
CISCO-WAN-ATM-CONN-MIB .cwaChanVpcFlag	cwAtmChanCfgEntry	cwaChanVpcFlag	TruthValue	SNMP	read-create
IF-MIB.ifIndex	ifEntry	ifIndex	InterfaceIndex	SNMP, LocalDB	read-only
IF-MIB.ifName	ifXEntry	ifName	DisplayString	SNMP	read-only
IF-MIB.ifType	ifEntry	ifType	IANAifType	SNMP	read-only

cwaChanMinorAlarm Class

Table A-349 cwaChanMinorAlarm Class Attributes

Name	Module	Object	Type	Section	Access
CISCO-WAN-ATM-CONN-MIB .cwaChanAlarmState	cwAtmChanStateEntry	cwaChanAlarmState	CiscoWanAlarmState	SNMP	read-only
CISCO-WAN-ATM-CONN-MIB .cwaChanEgressRcvState	cwAtmChanStateEntry	cwaChanEgressRcvState	CiscoWanRcvState	SNMP	read-only
CISCO-WAN-ATM-CONN-MIB .cwaChanEgressXmtState	cwAtmChanStateEntry	cwaChanEgressXmtState	CiscoWanXmtState	SNMP	read-only
CISCO-WAN-ATM-CONN-MIB .cwaChanIdentifier	cwAtmChanCnfgEntry	cwaChanIdentifier	Unsigned32	SNMP	read-only
CISCO-WAN-ATM-CONN-MIB .cwaChanIngressRcvState	cwAtmChanStateEntry	cwaChanIngressRcvState	CiscoWanRcvState	SNMP	read-only
CISCO-WAN-ATM-CONN-MIB .cwaChanIngressXmtState	cwAtmChanStateEntry	cwaChanIngressXmtState	CiscoWanXmtState	SNMP	read-only
CISCO-WAN-ATM-CONN-MIB .cwaChanLocalVci	cwAtmChanCnfgEntry	cwaChanLocalVci	Unsigned32	SNMP	read-only
CISCO-WAN-ATM-CONN-MIB .cwaChanLocalVpi	cwAtmChanCnfgEntry	cwaChanLocalVpi	Unsigned32	SNMP	read-only
CISCO-WAN-ATM-CONN-MIB .cwaChanNumVCCsInAlarm	cwAtmChanInformation	cwaChanNumVCCsInAlarm	Unsigned32	SNMP	read-only
CISCO-WAN-ATM-CONN-MIB .cwaChanNumVPCsInAlarm	cwAtmChanInformation	cwaChanNumVPCsInAlarm	Unsigned32	SNMP	read-only
CISCO-WAN-ATM-CONN-MIB .cwaChanOperStatus	cwAtmChanCnfgEntry	cwaChanOperStatus	CiscoWanOperStatus	SNMP	read-only
CISCO-WAN-ATM-CONN-MIB .cwaChanUploadCounter	cwAtmChanCnfgEntry	cwaChanUploadCounter	Unsigned32	SNMP	read-only
CISCO-WAN-ATM-CONN-MIB .cwaChanVpcFlag	cwAtmChanCnfgEntry	cwaChanVpcFlag	TruthValue	SNMP	read-create
IF-MIB.ifIndex	ifEntry	ifIndex	InterfaceIndex	SNMP, LocalDB	read-only
IF-MIB.ifName	ifXEntry	ifName	DisplayString	SNMP	read-only
IF-MIB.ifType	ifEntry	ifType	IANAifType	SNMP	read-only

cwaChanAlarmSummary Class

Table A-350 cwaChanAlarmSummary Class Attributes

Name	Module	Object	Type	Section	Access
CISCO-WAN-ATM-CONN-MIB.cwaChanAlarmState	cwAtmChanStateEntry	cwaChanAlarmState	CiscoWanAlarmState	SNMP	read-only
CISCO-WAN-ATM-CONN-MIB.cwaChanEgressRcvState	cwAtmChanStateEntry	cwaChanEgressRcvState	CiscoWanRcvState	SNMP	read-only
CISCO-WAN-ATM-CONN-MIB.cwaChanEgressXmtState	cwAtmChanStateEntry	cwaChanEgressXmtState	CiscoWanXmtState	SNMP	read-only
CISCO-WAN-ATM-CONN-MIB.cwaChanIdentifier	cwAtmChanCfgEntry	cwaChanIdentifier	Unsigned32	SNMP	read-only
CISCO-WAN-ATM-CONN-MIB.cwaChanIngressRcvState	cwAtmChanStateEntry	cwaChanIngressRcvState	CiscoWanRcvState	SNMP	read-only
CISCO-WAN-ATM-CONN-MIB.cwaChanIngressXmtState	cwAtmChanStateEntry	cwaChanIngressXmtState	CiscoWanXmtState	SNMP	read-only
CISCO-WAN-ATM-CONN-MIB.cwaChanLocalVci	cwAtmChanCfgEntry	cwaChanLocalVci	Unsigned32	SNMP	read-only
CISCO-WAN-ATM-CONN-MIB.cwaChanLocalVpi	cwAtmChanCfgEntry	cwaChanLocalVpi	Unsigned32	SNMP	read-only
CISCO-WAN-ATM-CONN-MIB.cwaChanNumVCCsInAlarm	cwAtmChanInformation	cwaChanNumVCCsInAlarm	Unsigned32	SNMP	read-only
CISCO-WAN-ATM-CONN-MIB.cwaChanNumVPCsInAlarm	cwAtmChanInformation	cwaChanNumVPCsInAlarm	Unsigned32	SNMP	read-only
CISCO-WAN-ATM-CONN-MIB.cwaChanOperStatus	cwAtmChanCfgEntry	cwaChanOperStatus	CiscoWanOperStatus	SNMP	read-only
CISCO-WAN-ATM-CONN-MIB.cwaChanUploadCounter	cwAtmChanCfgEntry	cwaChanUploadCounter	Unsigned32	SNMP	read-only
CISCO-WAN-ATM-CONN-MIB.cwaChanVpcFlag	cwAtmChanCfgEntry	cwaChanVpcFlag	TruthValue	SNMP	read-create
ENTITY-MIB.entPhysicalContainedIn	entPhysicalEntry	entPhysicalContainedIn	INTEGER	SNMP	read-only
ENTITY-MIB.entPhysicalDescr	entPhysicalEntry	entPhysicalDescr	SnmpAdminString	SNMP	read-only
ENTITY-MIB.entPhysicalParentRelPos	entPhysicalEntry	entPhysicalParentRelPos	INTEGER	SNMP	read-only
ENTITY-MIB.entPhysicalVendorType	entPhysicalEntry	entPhysicalVendorType	AutonomousType	SNMP	read-only

cwTrapsLost Class

Table A-351 cwTrapsLost Class Attributes

Name	Module	Object	Type	Section	Access
ENTITY-MIB.entPhysicalContainedIn	entPhysicalEntry	entPhysicalContainedIn	INTEGER	SNMP	read-only
ENTITY-MIB.entPhysicalDescr	entPhysicalEntry	entPhysicalDescr	SnmpAdminString	SNMP	read-only
ENTITY-MIB.entPhysicalParentRelPos	entPhysicalEntry	entPhysicalParentRelPos	INTEGER	SNMP	read-only
ENTITY-MIB.entPhysicalVendorType	entPhysicalEntry	entPhysicalVendorType	AutonomousType	SNMP	read-only

cwBulkFileCreationStarted Class

Table A-352 cwBulkFileCreationStarted Class Attributes

Name	Module	Object	Type	Section	Access
ENTITY-MIB.entPhysicalContainedIn	entPhysicalEntry	entPhysicalContainedIn	INTEGER	SNMP	read-only
ENTITY-MIB.entPhysicalDescr	entPhysicalEntry	entPhysicalDescr	SnmpAdminString	SNMP	read-only
ENTITY-MIB.entPhysicalParentRelPos	entPhysicalEntry	entPhysicalParentRelPos	INTEGER	SNMP	read-only
ENTITY-MIB.entPhysicalVendorType	entPhysicalEntry	entPhysicalVendorType	AutonomousType	SNMP	read-only

cwBulkFileCreationDone Class

Table A-353 cwBulkFileCreationDone Class Attributes

Name	Module	Object	Type	Section	Access
CISCO-BULK-FILE-MIB.cbfDefineFileName	cbfDefineFileEntry	cbfDefineFileName	DisplayString	SNMP	read-create
CISCO-BULK-FILE-MIB.cbfDefineMaxFiles	cbfDefine	cbfDefineMaxFiles	Unsigned32	SNMP	read-write

Table A-353 cwBulkFileCreationDone Class Attributes (continued)

CISCO-BULK-FILE-MIB.cbfStatusFileCompletionTime	cbfStatusFileEntry	cbfStatusFileCompletionTime	TimeStamp	SNMP	read-only
CISCO-BULK-FILE-MIB.cbfStatusFileState	cbfStatusFileEntry	cbfStatusFileState	INTEGER	SNMP	read-only
ENTITY-MIB.entPhysicalContainedIn	entPhysicalEntry	entPhysicalContainedIn	INTEGER	SNMP	read-only
ENTITY-MIB.entPhysicalDescr	entPhysicalEntry	entPhysicalDescr	SnmAdminString	SNMP	read-only
ENTITY-MIB.entPhysicalParentRelPos	entPhysicalEntry	entPhysicalParentRelPos	INTEGER	SNMP	read-only
ENTITY-MIB.entPhysicalVendorType	entPhysicalEntry	entPhysicalVendorType	AutonomousType	SNMP	read-only

cwBulkFileCreationAborted Class

Table A-354 cwBulkFileCreationAborted Class Attributes

Name	Module	Object	Type	Section	Access
CISCO-BULK-FILE-MIB.cbfDefineFileName	cbfDefineFileEntry	cbfDefineFileName	DisplayString	SNMP	read-create
CISCO-BULK-FILE-MIB.cbfDefineMaxFiles	cbfDefine	cbfDefineMaxFiles	Unsigned32	SNMP	read-write
CISCO-BULK-FILE-MIB.cbfStatusFileCompletionTime	cbfStatusFileEntry	cbfStatusFileCompletionTime	TimeStamp	SNMP	read-only
CISCO-BULK-FILE-MIB.cbfStatusFileState	cbfStatusFileEntry	cbfStatusFileState	INTEGER	SNMP	read-only
ENTITY-MIB.entPhysicalContainedIn	entPhysicalEntry	entPhysicalContainedIn	INTEGER	SNMP	read-only
ENTITY-MIB.entPhysicalDescr	entPhysicalEntry	entPhysicalDescr	SnmAdminString	SNMP	read-only
ENTITY-MIB.entPhysicalParentRelPos	entPhysicalEntry	entPhysicalParentRelPos	INTEGER	SNMP	read-only
ENTITY-MIB.entPhysicalVendorType	entPhysicalEntry	entPhysicalVendorType	AutonomousType	SNMP	read-only

cwBulkNoTaskAvailable Class

Table A-355 cwBulkNoTaskAvailable Class Attributes

Name	Module	Object	Type	Section	Access
ENTITY-MIB.entPhysicalContainedIn	entPhysicalEntry	entPhysicalContainedIn	INTEGER	SNMP	read-only
ENTITY-MIB.entPhysicalDescr	entPhysicalEntry	entPhysicalDescr	SnmpAdminString	SNMP	read-only
ENTITY-MIB.entPhysicalParentRelPos	entPhysicalEntry	entPhysicalParentRelPos	INTEGER	SNMP	read-only
ENTITY-MIB.entPhysicalVendorType	entPhysicalEntry	entPhysicalVendorType	AutonomousType	SNMP	read-only

cwBulkFileCreationFailed Class

Table A-356 cwBulkFileCreationFailed Class Attributes

Name	Module	Object	Type	Section	Access
ENTITY-MIB.entPhysicalContainedIn	entPhysicalEntry	entPhysicalContainedIn	INTEGER	SNMP	read-only
ENTITY-MIB.entPhysicalDescr	entPhysicalEntry	entPhysicalDescr	SnmpAdminString	SNMP	read-only
ENTITY-MIB.entPhysicalParentRelPos	entPhysicalEntry	entPhysicalParentRelPos	INTEGER	SNMP	read-only
ENTITY-MIB.entPhysicalVendorType	entPhysicalEntry	entPhysicalVendorType	AutonomousType	SNMP	read-only

cwStatScmlpAddressChange Class

Table A-357 cwStatScmlpAddressChange Class Attributes

Name	Module	Object	Type	Section	Access
CISCO-WAN-SCM-MIB.cwsConfIpAddress	cwsConfEntry	cwsConfIpAddress	IpAddress	SNMP	read-create
CISCO-WAN-SCM-MIB.cwsStatsFileInfo	cwsFileInfo	cwsStatsFileInfo	OCTET	SNMP	read-write

cwStatFileInfo Class

The cwStatFileInfo class does not contain any attributes.

cwStatsEnableFileSentToModules Class

The cwStatsEnableFileSentToModules class does not contain any attributes.

cwStatsEnableFileSentToNBSM Class

The cwStatsEnableFileSentToNBSM class does not contain any attributes.

ciscoWANSscopLinkChange Class

Table A-358 ciscoWANSscopLinkChange Class Attributes

Name	Module	Object	Type	Section	Access
CISCO-WAN-SVC-MIB.ciscoWANSpcvFailReason	ciscoWANSpcv	ciscoWANSpcvFailReason	CwspSpvcState	SNMP	read-only
CISCO-WAN-SVC-MIB.cwspCallCallingAddress	cwspCallEntry	cwspCallCallingAddress	AtmAddress	SNMP	read-only
CISCO-WAN-SVC-MIB.cwspConnTraceSrcVci	cwspConnTraceCntlEntry	cwspConnTraceSrcVci	Integer32	SNMP	read-create
CISCO-WAN-SVC-MIB.cwspConnTraceSrcVpi	cwspConnTraceCntlEntry	cwspConnTraceSrcVpi	Integer32	SNMP	read-create
CISCO-WAN-SVC-MIB.cwspOperFailReason	cwspOperation	cwspOperFailReason	INTEGER	SNMP	read-only
CISCO-WAN-SVC-MIB.cwspOperIfcType	cwspOperationEntry	cwspOperIfcType	INTEGER	SNMP	read-only
CISCO-WAN-SVC-MIB.cwspOperStatus	cwspConfigEntry	cwspOperStatus	INTEGER	SNMP	read-only
CISCO-WAN-SVC-MIB.cwspPhyIdentifier	cwspConfigEntry	cwspPhyIdentifier	DisplayString	SNMP	read-create
CISCO-WAN-SVC-MIB.cwspPnniControllerPhySlot	ciscoWANSvcInfo	cwspPnniControllerPhySlot	Integer32	SNMP	read-only

Table A-358 ciscoWANSscopLinkChange Class Attributes (continued)

CISCO-WAN-SVC-MIB.cwspPnniControllerStatus	ciscoWANSvcInfo	cwspPnniControllerStatus	INTEGER	SNMP	read-only
CISCO-WAN-SVC-MIB.cwspSpvcNodePrefix	ciscoWANSpvc	cwspSpvcNodePrefix	OCTET	SNMP	read-write
CISCO-WAN-SVC-MIB.cwspSscopStatus	cwspSigStatsEntry	cwspSscopStatus	INTEGER	SNMP	read-only
ENTITY-MIB.entPhysicalContainedIn	entPhysicalEntry	entPhysicalContainedIn	INTEGER	SNMP	read-only
ENTITY-MIB.entPhysicalDescr	entPhysicalEntry	entPhysicalDescr	SnmpAdminString	SNMP	read-only
ENTITY-MIB.entPhysicalParentRelPos	entPhysicalEntry	entPhysicalParentRelPos	INTEGER	SNMP	read-only
ENTITY-MIB.entPhysicalVendorType	entPhysicalEntry	entPhysicalVendorType	AutonomousType	SNMP	read-only

ciscoWANPnniControllerStateChange Class

Table A-359 ciscoWANPnniControllerStateChange Class Attributes

Name	Module	Object	Type	Section	Access
CISCO-WAN-SVC-MIB.ciscoWANSpvcFailReason	ciscoWANSpvc	ciscoWANSpvcFailReason	CwspSpvcState	SNMP	read-only
CISCO-WAN-SVC-MIB.cwspCallCallingAddress	cwspCallEntry	cwspCallCallingAddress	AtmAddress	SNMP	read-only
CISCO-WAN-SVC-MIB.cwspConnTraceSrcVci	cwspConnTraceCntlEntry	cwspConnTraceSrcVci	Integer32	SNMP	read-create
CISCO-WAN-SVC-MIB.cwspConnTraceSrcVpi	cwspConnTraceCntlEntry	cwspConnTraceSrcVpi	Integer32	SNMP	read-create
CISCO-WAN-SVC-MIB.cwspOperFailReason	cwspOperation	cwspOperFailReason	INTEGER	SNMP	read-only
CISCO-WAN-SVC-MIB.cwspOperIfcType	cwspOperationEntry	cwspOperIfcType	INTEGER	SNMP	read-only
CISCO-WAN-SVC-MIB.cwspOperStatus	cwspConfigEntry	cwspOperStatus	INTEGER	SNMP	read-only
CISCO-WAN-SVC-MIB.cwspPhyIdentifier	cwspConfigEntry	cwspPhyIdentifier	DisplayString	SNMP	read-create
CISCO-WAN-SVC-MIB.cwspPnniControllerPhySlot	ciscoWANSvcInfo	cwspPnniControllerPhySlot	Integer32	SNMP	read-only
CISCO-WAN-SVC-MIB.cwspPnniControllerStatus	ciscoWANSvcInfo	cwspPnniControllerStatus	INTEGER	SNMP	read-only

Table A-359 ciscoWANPnniControllerStateChange Class Attributes (continued)

CISCO-WAN-SVC-MIB.cwspSpvcNodePrefix	ciscoWANSpvc	cwspSpvcNodePrefix	OCTET	SNMP	read-write
CISCO-WAN-SVC-MIB.cwspScopStatus	cwspSigStatsEntry	cwspSscopStatus	INTEGER	SNMP	read-only

ciscoWANIntfAddTrap Class

Table A-360 ciscoWANIntfAddTrap Class Attributes

Name	Module	Object	Type	Section	Access
CISCO-WAN-SVC-MIB.ciscoWANSpvcFailReason	ciscoWANSpvc	ciscoWANSpvcFailReason	CwspSpvcState	SNMP	read-only
CISCO-WAN-SVC-MIB.cwspCallCallingAddress	cwspCallEntry	cwspCallCallingAddress	AtmAddress	SNMP	read-only
CISCO-WAN-SVC-MIB.cwspConnTraceSrcVci	cwspConnTraceCntlEntry	cwspConnTraceSrcVci	Integer32	SNMP	read-create
CISCO-WAN-SVC-MIB.cwspConnTraceSrcVpi	cwspConnTraceCntlEntry	cwspConnTraceSrcVpi	Integer32	SNMP	read-create
CISCO-WAN-SVC-MIB.cwspOperFailReason	cwspOperation	cwspOperFailReason	INTEGER	SNMP	read-only
CISCO-WAN-SVC-MIB.cwspOperIfcType	cwspOperationEntry	cwspOperIfcType	INTEGER	SNMP	read-only
CISCO-WAN-SVC-MIB.cwspOperStatus	cwspConfigEntry	cwspOperStatus	INTEGER	SNMP	read-only
CISCO-WAN-SVC-MIB.cwspPhyIdentifier	cwspConfigEntry	cwspPhyIdentifier	DisplayString	SNMP	read-create
CISCO-WAN-SVC-MIB.cwspPnniControllerPhySlot	ciscoWANSvcInfo	cwspPnniControllerPhySlot	Integer32	SNMP	read-only
CISCO-WAN-SVC-MIB.cwspPnniControllerStatus	ciscoWANSvcInfo	cwspPnniControllerStatus	INTEGER	SNMP	read-only
CISCO-WAN-SVC-MIB.cwspSpvcNodePrefix	ciscoWANSpvc	cwspSpvcNodePrefix	OCTET	SNMP	read-write
CISCO-WAN-SVC-MIB.cwspScopStatus	cwspSigStatsEntry	cwspSscopStatus	INTEGER	SNMP	read-only

ciscoWANIntfDeleteTrap Class

Table A-361 ciscoWANIntfDeleteTrap Class Attributes

Name	Module	Object	Type	Section	Access
CISCO-WAN-SVC-MIB.ciscoWANSpvcFailReason	ciscoWANSpvc	ciscoWANSpvcFailReason	CwspSpvcState	SNMP	read-only
CISCO-WAN-SVC-MIB.cwspCallCallingAddress	cwspCallEntry	cwspCallCallingAddress	AtmAddress	SNMP	read-only
CISCO-WAN-SVC-MIB.cwspConnTraceSrcVci	cwspConnTraceCntlEntry	cwspConnTraceSrcVci	Integer32	SNMP	read-create
CISCO-WAN-SVC-MIB.cwspConnTraceSrcVpi	cwspConnTraceCntlEntry	cwspConnTraceSrcVpi	Integer32	SNMP	read-create
CISCO-WAN-SVC-MIB.cwspOperFailReason	cwspOperation	cwspOperFailReason	INTEGER	SNMP	read-only
CISCO-WAN-SVC-MIB.cwspOperIfcType	cwspOperationEntry	cwspOperIfcType	INTEGER	SNMP	read-only
CISCO-WAN-SVC-MIB.cwspOperStatus	cwspConfigEntry	cwspOperStatus	INTEGER	SNMP	read-only
CISCO-WAN-SVC-MIB.cwspPhyIdentifier	cwspConfigEntry	cwspPhyIdentifier	DisplayString	SNMP	read-create
CISCO-WAN-SVC-MIB.cwspPnniControllerPhySlot	ciscoWANSvcInfo	cwspPnniControllerPhySlot	Integer32	SNMP	read-only
CISCO-WAN-SVC-MIB.cwspPnniControllerStatus	ciscoWANSvcInfo	cwspPnniControllerStatus	INTEGER	SNMP	read-only
CISCO-WAN-SVC-MIB.cwspSpvcNodePrefix	ciscoWANSpvc	cwspSpvcNodePrefix	OCTET	SNMP	read-write
CISCO-WAN-SVC-MIB.cwspSscopStatus	cwspSigStatsEntry	cwspSscopStatus	INTEGER	SNMP	read-only

ciscoWANIntfConfigurationChangeTrap Class

Table A-362 ciscoWANIntfConfigurationChangeTrap Class Attributes

Name	Module	Object	Type	Section	Access
CISCO-WAN-SVC-MIB.ciscoWANSpvcFailReason	ciscoWANSpvc	ciscoWANSpvcFailReason	CwspSpvcState	SNMP	read-only
CISCO-WAN-SVC-MIB.cwspCallCallingAddress	cwspCallEntry	cwspCallCallingAddress	AtmAddress	SNMP	read-only
CISCO-WAN-SVC-MIB.cwspConnTraceSrcVci	cwspConnTraceCntlEntry	cwspConnTraceSrcVci	Integer32	SNMP	read-create

Table A-362 ciscoWANIntfConfigurationChangeTrap Class Attributes (continued)

CISCO-WAN-SVC-MIB.cwspConnTraceSrcVpi	cwspConnTraceCntIEntry	cwspConnTraceSrcVpi	Integer32	SNMP	read-create
CISCO-WAN-SVC-MIB.cwspOperFailReason	cwspOperation	cwspOperFailReason	INTEGER	SNMP	read-only
CISCO-WAN-SVC-MIB.cwspOperIfcType	cwspOperationEntry	cwspOperIfcType	INTEGER	SNMP	read-only
CISCO-WAN-SVC-MIB.cwspOperStatus	cwspConfigEntry	cwspOperStatus	INTEGER	SNMP	read-only
CISCO-WAN-SVC-MIB.cwspPhyIdentifier	cwspConfigEntry	cwspPhyIdentifier	DisplayString	SNMP	read-create
CISCO-WAN-SVC-MIB.cwspPnniControllerPhySlot	ciscoWANSvcInfo	cwspPnniControllerPhySlot	Integer32	SNMP	read-only
CISCO-WAN-SVC-MIB.cwspPnniControllerStatus	ciscoWANSvcInfo	cwspPnniControllerStatus	INTEGER	SNMP	read-only
CISCO-WAN-SVC-MIB.cwspSpvcNodePrefix	ciscoWANSpvc	cwspSpvcNodePrefix	OCTET	SNMP	read-write
CISCO-WAN-SVC-MIB.cwspSscopStatus	cwspSigStatsEntry	cwspSscopStatus	INTEGER	SNMP	read-only

ciscoWANIntfOperationChangeTrap Class

Table A-363 ciscoWANIntfOperationChangeTrap Class Attributes

Name	Module	Object	Type	Section	Access
CISCO-WAN-SVC-MIB.ciscoWANSpvcFailReason	ciscoWANSpvc	ciscoWANSpvcFailReason	CwspSpvcState	SNMP	read-only
CISCO-WAN-SVC-MIB.cwspCallCallingAddress	cwspCallEntry	cwspCallCallingAddress	AtmAddress	SNMP	read-only
CISCO-WAN-SVC-MIB.cwspConnTraceSrcVci	cwspConnTraceCntIEntry	cwspConnTraceSrcVci	Integer32	SNMP	read-create
CISCO-WAN-SVC-MIB.cwspConnTraceSrcVpi	cwspConnTraceCntIEntry	cwspConnTraceSrcVpi	Integer32	SNMP	read-create
CISCO-WAN-SVC-MIB.cwspOperFailReason	cwspOperation	cwspOperFailReason	INTEGER	SNMP	read-only
CISCO-WAN-SVC-MIB.cwspOperIfcType	cwspOperationEntry	cwspOperIfcType	INTEGER	SNMP	read-only
CISCO-WAN-SVC-MIB.cwspOperStatus	cwspConfigEntry	cwspOperStatus	INTEGER	SNMP	read-only
CISCO-WAN-SVC-MIB.cwspPhyIdentifier	cwspConfigEntry	cwspPhyIdentifier	DisplayString	SNMP	read-create

Table A-363 ciscoWANIntfOperationChangeTrap Class Attributes (continued)

CISCO-WAN-SVC-MIB.cwspPnniControllerPhySlot	ciscoWANSvcInfo	cwspPnniControllerPhySlot	Integer32	SNMP	read-only
CISCO-WAN-SVC-MIB.cwspPnniControllerStatus	ciscoWANSvcInfo	cwspPnniControllerStatus	INTEGER	SNMP	read-only
CISCO-WAN-SVC-MIB.cwspSpvcNodePrefix	ciscoWANSpvc	cwspSpvcNodePrefix	OCTET	SNMP	read-write
CISCO-WAN-SVC-MIB.cwspSscopStatus	cwspSigStatsEntry	cwspSscopStatus	INTEGER	SNMP	read-only

ciscoWANSpvcFailTrap Class

Table A-364 ciscoWANSpvcFailTrap Class Attributes

Name	Module	Object	Type	Section	Access
CISCO-WAN-SVC-MIB.ciscoWANSpvcFailReason	ciscoWANSpvc	ciscoWANSpvcFailReason	CwspSpvcState	SNMP	read-only
CISCO-WAN-SVC-MIB.cwspCallCallingAddress	cwspCallEntry	cwspCallCallingAddress	AtmAddress	SNMP	read-only
CISCO-WAN-SVC-MIB.cwspConnTraceSrcVci	cwspConnTraceCntlEntry	cwspConnTraceSrcVci	Integer32	SNMP	read-create
CISCO-WAN-SVC-MIB.cwspConnTraceSrcVpi	cwspConnTraceCntlEntry	cwspConnTraceSrcVpi	Integer32	SNMP	read-create
CISCO-WAN-SVC-MIB.cwspOperFailReason	cwspOperation	cwspOperFailReason	INTEGER	SNMP	read-only
CISCO-WAN-SVC-MIB.cwspOperIfcType	cwspOperationEntry	cwspOperIfcType	INTEGER	SNMP	read-only
CISCO-WAN-SVC-MIB.cwspOperStatus	cwspConfigEntry	cwspOperStatus	INTEGER	SNMP	read-only
CISCO-WAN-SVC-MIB.cwspPhyIdentifier	cwspConfigEntry	cwspPhyIdentifier	DisplayString	SNMP	read-create
CISCO-WAN-SVC-MIB.cwspPnniControllerPhySlot	ciscoWANSvcInfo	cwspPnniControllerPhySlot	Integer32	SNMP	read-only
CISCO-WAN-SVC-MIB.cwspPnniControllerStatus	ciscoWANSvcInfo	cwspPnniControllerStatus	INTEGER	SNMP	read-only
CISCO-WAN-SVC-MIB.cwspSpvcNodePrefix	ciscoWANSpvc	cwspSpvcNodePrefix	OCTET	SNMP	read-write
CISCO-WAN-SVC-MIB.cwspSscopStatus	cwspSigStatsEntry	cwspSscopStatus	INTEGER	SNMP	read-only
ENTITY-MIB.entPhysicalContainedIn	entPhysicalEntry	entPhysicalContainedIn	INTEGER	SNMP	read-only

Table A-364 ciscoWANSpvcFailTrap Class Attributes (continued)

ENTITY-MIB.entPhysicalDescr	entPhysicalEntry	entPhysicalDescr	SnmpAdminSt ring	SNMP	read-only
ENTITY-MIB.entPhysicalParent RelPos	entPhysicalEntry	entPhysicalParentR elPos	INTEGER	SNMP	read-only
ENTITY-MIB.entPhysicalVendor Type	entPhysicalEntry	entPhysicalVendor Type	AutonomousTy pe	SNMP	read-only

ciscoWANPniControllerStndbyFailed Class

Table A-365 ciscoWANPniControllerStndbyFailed Class Attributes

Name	Module	Object	Type	Section	Access
CISCO-WAN-SVC-MIB.ciscoW ANSpvcFailReason	ciscoWANSpvc	ciscoWANSpvcFail Reason	CwspSpvcStat e	SNMP	read-only
CISCO-WAN-SVC-MIB.cwspCa llCallingAddress	cwspCallEntry	cwspCallCallingAd dress	AtmAddress	SNMP	read-only
CISCO-WAN-SVC-MIB.cwspCo nnTraceSrcVci	cwspConnTraceCnt lEntry	cwspConnTraceSrc Vci	Integer32	SNMP	read-create
CISCO-WAN-SVC-MIB.cwspCo nnTraceSrcVpi	cwspConnTraceCnt lEntry	cwspConnTraceSrc Vpi	Integer32	SNMP	read-create
CISCO-WAN-SVC-MIB.cwspOp erFailReason	cwspOperation	cwspOperFailReas on	INTEGER	SNMP	read-only
CISCO-WAN-SVC-MIB.cwspOp erIfcType	cwspOperationEntr y	cwspOperIfcType	INTEGER	SNMP	read-only
CISCO-WAN-SVC-MIB.cwspOp erStatus	cwspConfigEntry	cwspOperStatus	INTEGER	SNMP	read-only
CISCO-WAN-SVC-MIB.cwspPh yIdentifier	cwspConfigEntry	cwspPhyIdentifier	DisplayString	SNMP	read-create
CISCO-WAN-SVC-MIB.cwspPn niControllerPhySlot	ciscoWANSvcInfo	cwspPniControlle rPhySlot	Integer32	SNMP	read-only
CISCO-WAN-SVC-MIB.cwspPn niControllerStatus	ciscoWANSvcInfo	cwspPniControlle rStatus	INTEGER	SNMP	read-only
CISCO-WAN-SVC-MIB.cwspSp vcNodePrefix	ciscoWANSpvc	cwspSpvcNodePref ix	OCTET	SNMP	read-write
CISCO-WAN-SVC-MIB.cwspSs copStatus	cwspSigStatsEntry	cwspSscopStatus	INTEGER	SNMP	read-only

ciscoWANSpvcNodePrefixChange Class

Table A-366 ciscoWANSpvcNodePrefixChange Class Attributes

Name	Module	Object	Type	Section	Access
CISCO-WAN-SVC-MIB.ciscoWANSpvcFailReason	ciscoWANSpvc	ciscoWANSpvcFailReason	CwspSpvcState	SNMP	read-only
CISCO-WAN-SVC-MIB.cwspCallCallingAddress	cwspCallEntry	cwspCallCallingAddress	AtmAddress	SNMP	read-only
CISCO-WAN-SVC-MIB.cwspConnTraceSrcVci	cwspConnTraceCntlEntry	cwspConnTraceSrcVci	Integer32	SNMP	read-create
CISCO-WAN-SVC-MIB.cwspConnTraceSrcVpi	cwspConnTraceCntlEntry	cwspConnTraceSrcVpi	Integer32	SNMP	read-create
CISCO-WAN-SVC-MIB.cwspOperFailReason	cwspOperation	cwspOperFailReason	INTEGER	SNMP	read-only
CISCO-WAN-SVC-MIB.cwspOperIfcType	cwspOperationEntry	cwspOperIfcType	INTEGER	SNMP	read-only
CISCO-WAN-SVC-MIB.cwspOperStatus	cwspConfigEntry	cwspOperStatus	INTEGER	SNMP	read-only
CISCO-WAN-SVC-MIB.cwspPhyIdentifier	cwspConfigEntry	cwspPhyIdentifier	DisplayString	SNMP	read-create
CISCO-WAN-SVC-MIB.cwspPnniControllerPhySlot	ciscoWANSvcInfo	cwspPnniControllerPhySlot	Integer32	SNMP	read-only
CISCO-WAN-SVC-MIB.cwspPnniControllerStatus	ciscoWANSvcInfo	cwspPnniControllerStatus	INTEGER	SNMP	read-only
CISCO-WAN-SVC-MIB.cwspSpvcNodePrefix	ciscoWANSpvc	cwspSpvcNodePrefix	OCTET	SNMP	read-write
CISCO-WAN-SVC-MIB.cwspSscopStatus	cwspSigStatsEntry	cwspSscopStatus	INTEGER	SNMP	read-only

ciscoWANSpvcFailureTrap Class

Table A-367 ciscoWANSpvcFailureTrap Class Attributes

Name	Module	Object	Type	Section	Access
CISCO-WAN-SVC-MIB.ciscoWANSpvcFailReason	ciscoWANSpvc	ciscoWANSpvcFailReason	CwspSpvcState	SNMP	read-only
CISCO-WAN-SVC-MIB.cwspCallCallingAddress	cwspCallEntry	cwspCallCallingAddress	AtmAddress	SNMP	read-only
CISCO-WAN-SVC-MIB.cwspConnTraceSrcVci	cwspConnTraceCntlEntry	cwspConnTraceSrcVci	Integer32	SNMP	read-create

Table A-367 ciscoWANSpvcFailureTrap Class Attributes (continued)

CISCO-WAN-SVC-MIB.cwspConnTraceSrcVpi	cwspConnTraceCntIEntry	cwspConnTraceSrcVpi	Integer32	SNMP	read-create
CISCO-WAN-SVC-MIB.cwspOperFailReason	cwspOperation	cwspOperFailReason	INTEGER	SNMP	read-only
CISCO-WAN-SVC-MIB.cwspOperIfcType	cwspOperationEntry	cwspOperIfcType	INTEGER	SNMP	read-only
CISCO-WAN-SVC-MIB.cwspOperStatus	cwspConfigEntry	cwspOperStatus	INTEGER	SNMP	read-only
CISCO-WAN-SVC-MIB.cwspPhyIdentifier	cwspConfigEntry	cwspPhyIdentifier	DisplayString	SNMP	read-create
CISCO-WAN-SVC-MIB.cwspPnniControllerPhySlot	ciscoWANSvcInfo	cwspPnniControllerPhySlot	Integer32	SNMP	read-only
CISCO-WAN-SVC-MIB.cwspPnniControllerStatus	ciscoWANSvcInfo	cwspPnniControllerStatus	INTEGER	SNMP	read-only
CISCO-WAN-SVC-MIB.cwspSpvcNodePrefix	ciscoWANSpvc	cwspSpvcNodePrefix	OCTET	SNMP	read-write
CISCO-WAN-SVC-MIB.cwspSscopStatus	cwspSigStatsEntry	cwspSscopStatus	INTEGER	SNMP	read-only
ENTITY-MIB.entPhysicalContainedIn	entPhysicalEntry	entPhysicalContainedIn	INTEGER	SNMP	read-only
ENTITY-MIB.entPhysicalDescr	entPhysicalEntry	entPhysicalDescr	SnmpAdminString	SNMP	read-only
ENTITY-MIB.entPhysicalParentRelPos	entPhysicalEntry	entPhysicalParentRelPos	INTEGER	SNMP	read-only
ENTITY-MIB.entPhysicalVendorType	entPhysicalEntry	entPhysicalVendorType	AutonomousType	SNMP	read-only

ciscoWANClockChangeTrap Class

Table A-368 ciscoWANClockChangeTrap Class Attributes

Name	Module	Object	Type	Section	Access
CISCO-WAN-SVC-MIB.ciscoWANSpvcFailReason	ciscoWANSpvc	ciscoWANSpvcFailReason	CwspSpvcState	SNMP	read-only
CISCO-WAN-SVC-MIB.cwspCallCallingAddress	cwspCallEntry	cwspCallCallingAddress	AtmAddress	SNMP	read-only
CISCO-WAN-SVC-MIB.cwspConnTraceSrcVci	cwspConnTraceCntIEntry	cwspConnTraceSrcVci	Integer32	SNMP	read-create
CISCO-WAN-SVC-MIB.cwspConnTraceSrcVpi	cwspConnTraceCntIEntry	cwspConnTraceSrcVpi	Integer32	SNMP	read-create

Table A-368 ciscoWANClockChangeTrap Class Attributes (continued)

CISCO-WAN-SVC-MIB.cwspOperFailReason	cwspOperation	cwspOperFailReason	INTEGER	SNMP	read-only
CISCO-WAN-SVC-MIB.cwspOperIfcType	cwspOperationEntry	cwspOperIfcType	INTEGER	SNMP	read-only
CISCO-WAN-SVC-MIB.cwspOperStatus	cwspConfigEntry	cwspOperStatus	INTEGER	SNMP	read-only
CISCO-WAN-SVC-MIB.cwspPhyIdentifier	cwspConfigEntry	cwspPhyIdentifier	DisplayString	SNMP	read-create
CISCO-WAN-SVC-MIB.cwspPnniControllerPhySlot	ciscoWANSvcInfo	cwspPnniControllerPhySlot	Integer32	SNMP	read-only
CISCO-WAN-SVC-MIB.cwspPnniControllerStatus	ciscoWANSvcInfo	cwspPnniControllerStatus	INTEGER	SNMP	read-only
CISCO-WAN-SVC-MIB.cwspSpvcNodePrefix	ciscoWANSpvc	cwspSpvcNodePrefix	OCTET	SNMP	read-write
CISCO-WAN-SVC-MIB.cwspSscopStatus	cwspSigStatsEntry	cwspSscopStatus	INTEGER	SNMP	read-only

ciscoWANPnnilfChange Class

Table A-369 ciscoWANPnnilfChange Class Attributes

Name	Module	Object	Type	Section	Access
CISCO-WAN-SVC-MIB.ciscoWANSpvcFailReason	ciscoWANSpvc	ciscoWANSpvcFailReason	CwspSpvcState	SNMP	read-only
CISCO-WAN-SVC-MIB.cwspCallCallingAddress	cwspCallEntry	cwspCallCallingAddress	AtmAddress	SNMP	read-only
CISCO-WAN-SVC-MIB.cwspConnTraceSrcVci	cwspConnTraceCntlEntry	cwspConnTraceSrcVci	Integer32	SNMP	read-create
CISCO-WAN-SVC-MIB.cwspConnTraceSrcVpi	cwspConnTraceCntlEntry	cwspConnTraceSrcVpi	Integer32	SNMP	read-create
CISCO-WAN-SVC-MIB.cwspOperFailReason	cwspOperation	cwspOperFailReason	INTEGER	SNMP	read-only
CISCO-WAN-SVC-MIB.cwspOperIfcType	cwspOperationEntry	cwspOperIfcType	INTEGER	SNMP	read-only
CISCO-WAN-SVC-MIB.cwspOperStatus	cwspConfigEntry	cwspOperStatus	INTEGER	SNMP	read-only
CISCO-WAN-SVC-MIB.cwspPhyIdentifier	cwspConfigEntry	cwspPhyIdentifier	DisplayString	SNMP	read-create
CISCO-WAN-SVC-MIB.cwspPnniControllerPhySlot	ciscoWANSvcInfo	cwspPnniControllerPhySlot	Integer32	SNMP	read-only

Table A-369 ciscoWANPnnilfChange Class Attributes (continued)

CISCO-WAN-SVC-MIB.cwspPnniControllerStatus	ciscoWANSvcInfo	cwspPnniControllerStatus	INTEGER	SNMP	read-only
CISCO-WAN-SVC-MIB.cwspSpvcNodePrefix	ciscoWANSpvc	cwspSpvcNodePrefix	OCTET	SNMP	read-write
CISCO-WAN-SVC-MIB.cwspSscopStatus	cwspSigStatsEntry	cwspSscopStatus	INTEGER	SNMP	read-only

cwSntpCurrentPeer Class

Table A-370 cwSntpCurrentPeer Class Attributes

Name	Module	Object	Type	Section	Access
CISCO-NTP-MIB.cntpPeersPeerAddress	cntpPeersVarEntry	cntpPeersPeerAddress	IpAddress	SNMP	read-create

cwSntpPeerConfigured Class

Table A-371 cwSntpPeerConfigured Class Attributes

Name	Module	Object	Type	Section	Access
CISCO-NTP-MIB.cntpPeersPeerAddress	cntpPeersVarEntry	cntpPeersPeerAddress	IpAddress	SNMP	read-create

cwSntpPeerDeleted Class

Table A-372 cwSntpPeerDeleted Class Attributes

Name	Module	Object	Type	Section	Access
CISCO-NTP-MIB.cntpPeersPeerAddress	cntpPeersVarEntry	cntpPeersPeerAddress	IpAddress	SNMP	read-create

cwSntpClientSync Class

Table A-373 cwSntpClientSync Class Attributes

Name	Module	Object	Type	Section	Access
CISCO-NTP-MIB.cntpPeersPeerAddress	cntpPeersVarEntry	cntpPeersPeerAddress	IpAddress	SNMP	read-create

cwSntpClientUnSync Class

Table A-374 cwSntpClientUnSync Class Attributes

Name	Module	Object	Type	Section	Access
CISCO-NTP-MIB.cntpPeersPeerAddress	cntpPeersVarEntry	cntpPeersPeerAddress	IpAddress	SNMP	read-create

cwtGatewayConfigChange Class

Table A-375 cwtGatewayConfigChange Class Attributes

Name	Module	Object	Type	Section	Access
CISCO-WAN-TOPOLOGY-MIB.cwtFeederAtmIP	cwtFeederInfoEntry	cwtFeederAtmIP	InetAddress	SNMP	read-only
CISCO-WAN-TOPOLOGY-MIB.cwtFeederLanIP	cwtFeederInfoEntry	cwtFeederLanIP	InetAddress	SNMP	read-only
CISCO-WAN-TOPOLOGY-MIB.cwtFeederLMIType	cwtFeederInfoEntry	cwtFeederLMIType	INTEGER	SNMP	read-only
CISCO-WAN-TOPOLOGY-MIB.cwtFeederName	cwtFeederInfoEntry	cwtFeederName	SnmpAdminString	SNMP	read-only
CISCO-WAN-TOPOLOGY-MIB.cwtFeederType	cwtFeederInfoEntry	cwtFeederType	INTEGER	SNMP	read-only
CISCO-WAN-TOPOLOGY-MIB.cwtGatewayAdminStatus	cwtSystemGroup	cwtGatewayAdminStatus	INTEGER	SNMP	read-write
CISCO-WAN-TOPOLOGY-MIB.cwtGatewayNodeFlag	cwtNodeInfoEntry	cwtGatewayNodeFlag	TruthValue	SNMP	read-create
CISCO-WAN-TOPOLOGY-MIB.cwtLocalIfIndex	cwtFeederInfoEntry	cwtLocalIfIndex	InterfaceIndex	SNMP	read-only

Table A-375 cwtGatewayConfigChange Class Attributes (continued)

CISCO-WAN-TOPOLOGY-MIB .cwtLocalIfName	cwtFeederInfoEntry	cwtLocalIfName	SnmpAdminString	SNMP	read-only
CISCO-WAN-TOPOLOGY-MIB .cwtLocalNodeId	cwtFeederInfoEntry	cwtLocalNodeId	PnniNodeId	SNMP	read-only
CISCO-WAN-TOPOLOGY-MIB .cwtNodeId	cwtNodeInfoEntry	cwtNodeId	PnniNodeId	SNMP	read-create
CISCO-WAN-TOPOLOGY-MIB .cwtNodeName	cwtNodeInfoEntry	cwtNodeName	SnmpAdminString	SNMP	read-create
CISCO-WAN-TOPOLOGY-MIB .cwtPrimIP	cwtNodeInfoEntry	cwtPrimIP	InetAddress	SNMP	read-create
CISCO-WAN-TOPOLOGY-MIB .cwtPrimIPIfName	cwtNodeInfoEntry	cwtPrimIPIfName	SnmpAdminString	SNMP	read-create
CISCO-WAN-TOPOLOGY-MIB .cwtSecIP	cwtNodeInfoEntry	cwtSecIP	InetAddress	SNMP	read-create
CISCO-WAN-TOPOLOGY-MIB .cwtSecIPIfName	cwtNodeInfoEntry	cwtSecIPIfName	SnmpAdminString	SNMP	read-create
CISCO-WAN-TOPOLOGY-MIB .cwtSysObjId	cwtNodeInfoEntry	cwtSysObjId	OBJECT	SNMP	read-create

cwtGatewayNodalInfoAdd Class

Table A-376 cwtGatewayNodalInfoAdd Class Attributes

Name	Module	Object	Type	Section	Access
CISCO-WAN-TOPOLOGY-MIB .cwtFeederAtmIP	cwtFeederInfoEntry	cwtFeederAtmIP	InetAddress	SNMP	read-only
CISCO-WAN-TOPOLOGY-MIB .cwtFeederLanIP	cwtFeederInfoEntry	cwtFeederLanIP	InetAddress	SNMP	read-only
CISCO-WAN-TOPOLOGY-MIB .cwtFeederLMIType	cwtFeederInfoEntry	cwtFeederLMIType	INTEGER	SNMP	read-only
CISCO-WAN-TOPOLOGY-MIB .cwtFeederName	cwtFeederInfoEntry	cwtFeederName	SnmpAdminString	SNMP	read-only
CISCO-WAN-TOPOLOGY-MIB .cwtFeederType	cwtFeederInfoEntry	cwtFeederType	INTEGER	SNMP	read-only
CISCO-WAN-TOPOLOGY-MIB .cwtGatewayAdminStatus	cwtSystemGroup	cwtGatewayAdminStatus	INTEGER	SNMP	read-write
CISCO-WAN-TOPOLOGY-MIB .cwtGatewayNodeFlag	cwtNodeInfoEntry	cwtGatewayNodeFlag	TruthValue	SNMP	read-create
CISCO-WAN-TOPOLOGY-MIB .cwtLocalIfIndex	cwtFeederInfoEntry	cwtLocalIfIndex	InterfaceIndex	SNMP	read-only

Table A-376 cwtGatewayNodalInfoAdd Class Attributes (continued)

CISCO-WAN-TOPOLOGY-MIB .cwtLocalIfName	cwtFeederInfoEntry	cwtLocalIfName	SnmpAdminString	SNMP	read-only
CISCO-WAN-TOPOLOGY-MIB .cwtLocalNodeId	cwtFeederInfoEntry	cwtLocalNodeId	PnniNodeId	SNMP	read-only
CISCO-WAN-TOPOLOGY-MIB .cwtNodeId	cwtNodeInfoEntry	cwtNodeId	PnniNodeId	SNMP	read-create
CISCO-WAN-TOPOLOGY-MIB .cwtNodeName	cwtNodeInfoEntry	cwtNodeName	SnmpAdminString	SNMP	read-create
CISCO-WAN-TOPOLOGY-MIB .cwtPrimIP	cwtNodeInfoEntry	cwtPrimIP	InetAddress	SNMP	read-create
CISCO-WAN-TOPOLOGY-MIB .cwtPrimIIfName	cwtNodeInfoEntry	cwtPrimIIfName	SnmpAdminString	SNMP	read-create
CISCO-WAN-TOPOLOGY-MIB .cwtSecIP	cwtNodeInfoEntry	cwtSecIP	InetAddress	SNMP	read-create
CISCO-WAN-TOPOLOGY-MIB .cwtSecIIfName	cwtNodeInfoEntry	cwtSecIIfName	SnmpAdminString	SNMP	read-create
CISCO-WAN-TOPOLOGY-MIB .cwtSysObjId	cwtNodeInfoEntry	cwtSysObjId	OBJECT	SNMP	read-create

cwtGatewayNodalInfoChange Class

Table A-377 cwtGatewayNodalInfoChange Class Attributes

Name	Module	Object	Type	Section	Access
CISCO-WAN-TOPOLOGY-MIB .cwtFeederAtmIP	cwtFeederInfoEntry	cwtFeederAtmIP	InetAddress	SNMP	read-only
CISCO-WAN-TOPOLOGY-MIB .cwtFeederLanIP	cwtFeederInfoEntry	cwtFeederLanIP	InetAddress	SNMP	read-only
CISCO-WAN-TOPOLOGY-MIB .cwtFeederLMIType	cwtFeederInfoEntry	cwtFeederLMIType	INTEGER	SNMP	read-only
CISCO-WAN-TOPOLOGY-MIB .cwtFeederName	cwtFeederInfoEntry	cwtFeederName	SnmpAdminString	SNMP	read-only
CISCO-WAN-TOPOLOGY-MIB .cwtFeederType	cwtFeederInfoEntry	cwtFeederType	INTEGER	SNMP	read-only
CISCO-WAN-TOPOLOGY-MIB .cwtGatewayAdminStatus	cwtSystemGroup	cwtGatewayAdminStatus	INTEGER	SNMP	read-write
CISCO-WAN-TOPOLOGY-MIB .cwtGatewayNodeFlag	cwtNodeInfoEntry	cwtGatewayNodeFlag	TruthValue	SNMP	read-create
CISCO-WAN-TOPOLOGY-MIB .cwtLocalIfIndex	cwtFeederInfoEntry	cwtLocalIfIndex	InterfaceIndex	SNMP	read-only

Table A-377 cwtGatewayNodalInfoChange Class Attributes (continued)

CISCO-WAN-TOPOLOGY-MIB .cwtLocalIfName	cwtFeederInfoEntry	cwtLocalIfName	SnmpAdminString	SNMP	read-only
CISCO-WAN-TOPOLOGY-MIB .cwtLocalNodeId	cwtFeederInfoEntry	cwtLocalNodeId	PnniNodeId	SNMP	read-only
CISCO-WAN-TOPOLOGY-MIB .cwtNodeId	cwtNodeInfoEntry	cwtNodeId	PnniNodeId	SNMP	read-create
CISCO-WAN-TOPOLOGY-MIB .cwtNodeName	cwtNodeInfoEntry	cwtNodeName	SnmpAdminString	SNMP	read-create
CISCO-WAN-TOPOLOGY-MIB .cwtPrimIP	cwtNodeInfoEntry	cwtPrimIP	InetAddress	SNMP	read-create
CISCO-WAN-TOPOLOGY-MIB .cwtPrimIPIfName	cwtNodeInfoEntry	cwtPrimIPIfName	SnmpAdminString	SNMP	read-create
CISCO-WAN-TOPOLOGY-MIB .cwtSecIP	cwtNodeInfoEntry	cwtSecIP	InetAddress	SNMP	read-create
CISCO-WAN-TOPOLOGY-MIB .cwtSecIPIfName	cwtNodeInfoEntry	cwtSecIPIfName	SnmpAdminString	SNMP	read-create
CISCO-WAN-TOPOLOGY-MIB .cwtSysObjId	cwtNodeInfoEntry	cwtSysObjId	OBJECT	SNMP	read-create

cwtGatewayNodalInfoDelete Class

Table A-378 cwtGatewayNodalInfoDelete Class Attributes

Name	Module	Object	Type	Section	Access
CISCO-WAN-TOPOLOGY-MIB .cwtFeederAtmIP	cwtFeederInfoEntry	cwtFeederAtmIP	InetAddress	SNMP	read-only
CISCO-WAN-TOPOLOGY-MIB .cwtFeederLanIP	cwtFeederInfoEntry	cwtFeederLanIP	InetAddress	SNMP	read-only
CISCO-WAN-TOPOLOGY-MIB .cwtFeederLMIType	cwtFeederInfoEntry	cwtFeederLMIType	INTEGER	SNMP	read-only
CISCO-WAN-TOPOLOGY-MIB .cwtFeederName	cwtFeederInfoEntry	cwtFeederName	SnmpAdminString	SNMP	read-only
CISCO-WAN-TOPOLOGY-MIB .cwtFeederType	cwtFeederInfoEntry	cwtFeederType	INTEGER	SNMP	read-only
CISCO-WAN-TOPOLOGY-MIB .cwtGatewayAdminStatus	cwtSystemGroup	cwtGatewayAdminStatus	INTEGER	SNMP	read-write
CISCO-WAN-TOPOLOGY-MIB .cwtGatewayNodeFlag	cwtNodeInfoEntry	cwtGatewayNodeFlag	TruthValue	SNMP	read-create
CISCO-WAN-TOPOLOGY-MIB .cwtLocalIfIndex	cwtFeederInfoEntry	cwtLocalIfIndex	InterfaceIndex	SNMP	read-only

Table A-378 cwtGatewayNodalInfoDelete Class Attributes (continued)

CISCO-WAN-TOPOLOGY-MIB .cwtLocalIfName	cwtFeederInfoEntry	cwtLocalIfName	SnmpAdminString	SNMP	read-only
CISCO-WAN-TOPOLOGY-MIB .cwtLocalNodeId	cwtFeederInfoEntry	cwtLocalNodeId	PnniNodeId	SNMP	read-only
CISCO-WAN-TOPOLOGY-MIB .cwtNodeId	cwtNodeInfoEntry	cwtNodeId	PnniNodeId	SNMP	read-create
CISCO-WAN-TOPOLOGY-MIB .cwtNodeName	cwtNodeInfoEntry	cwtNodeName	SnmpAdminString	SNMP	read-create
CISCO-WAN-TOPOLOGY-MIB .cwtPrimIP	cwtNodeInfoEntry	cwtPrimIP	InetAddress	SNMP	read-create
CISCO-WAN-TOPOLOGY-MIB .cwtPrimIPIfName	cwtNodeInfoEntry	cwtPrimIPIfName	SnmpAdminString	SNMP	read-create
CISCO-WAN-TOPOLOGY-MIB .cwtSecIP	cwtNodeInfoEntry	cwtSecIP	InetAddress	SNMP	read-create
CISCO-WAN-TOPOLOGY-MIB .cwtSecIPIfName	cwtNodeInfoEntry	cwtSecIPIfName	SnmpAdminString	SNMP	read-create
CISCO-WAN-TOPOLOGY-MIB .cwtSysObjId	cwtNodeInfoEntry	cwtSysObjId	OBJECT	SNMP	read-create

cwtGatewayNodalInfoFull Class

The cwtGatewayNodalInfoFull class does not contain any attributes.

cwtGatewayFeederInfoAdd Class

Table A-379 cwtGatewayFeederInfoAdd Class Attributes

Name	Module	Object	Type	Section	Access
CISCO-WAN-TOPOLOGY-MIB .cwtFeederAtmIP	cwtFeederInfoEntry	cwtFeederAtmIP	InetAddress	SNMP	read-only
CISCO-WAN-TOPOLOGY-MIB .cwtFeederLanIP	cwtFeederInfoEntry	cwtFeederLanIP	InetAddress	SNMP	read-only
CISCO-WAN-TOPOLOGY-MIB .cwtFeederLMIType	cwtFeederInfoEntry	cwtFeederLMIType	INTEGER	SNMP	read-only
CISCO-WAN-TOPOLOGY-MIB .cwtFeederName	cwtFeederInfoEntry	cwtFeederName	SnmpAdminString	SNMP	read-only
CISCO-WAN-TOPOLOGY-MIB .cwtFeederType	cwtFeederInfoEntry	cwtFeederType	INTEGER	SNMP	read-only

Table A-379 cwtGatewayFeederInfoAdd Class Attributes (continued)

CISCO-WAN-TOPOLOGY-MIB .cwtGatewayAdminStatus	cwtSystemGroup	cwtGatewayAdmin Status	INTEGER	SNMP	read-write
CISCO-WAN-TOPOLOGY-MIB .cwtGatewayNodeFlag	cwtNodeInfoEntry	cwtGatewayNodeFl ag	TruthValue	SNMP	read-create
CISCO-WAN-TOPOLOGY-MIB .cwtLocalIfIndex	cwtFeederInfoEntr y	cwtLocalIfIndex	InterfaceIndex	SNMP	read-only
CISCO-WAN-TOPOLOGY-MIB .cwtLocalIfName	cwtFeederInfoEntr y	cwtLocalIfName	SnmpAdminSt ring	SNMP	read-only
CISCO-WAN-TOPOLOGY-MIB .cwtLocalNodeId	cwtFeederInfoEntr y	cwtLocalNodeId	PnniNodeId	SNMP	read-only
CISCO-WAN-TOPOLOGY-MIB .cwtNodeId	cwtNodeInfoEntry	cwtNodeId	PnniNodeId	SNMP	read-create
CISCO-WAN-TOPOLOGY-MIB .cwtNodeName	cwtNodeInfoEntry	cwtNodeName	SnmpAdminSt ring	SNMP	read-create
CISCO-WAN-TOPOLOGY-MIB .cwtPrimIP	cwtNodeInfoEntry	cwtPrimIP	InetAddress	SNMP	read-create
CISCO-WAN-TOPOLOGY-MIB .cwtPrimIPIfName	cwtNodeInfoEntry	cwtPrimIPIfName	SnmpAdminSt ring	SNMP	read-create
CISCO-WAN-TOPOLOGY-MIB .cwtSecIP	cwtNodeInfoEntry	cwtSecIP	InetAddress	SNMP	read-create
CISCO-WAN-TOPOLOGY-MIB .cwtSecIPIfName	cwtNodeInfoEntry	cwtSecIPIfName	SnmpAdminSt ring	SNMP	read-create
CISCO-WAN-TOPOLOGY-MIB .cwtSysObjId	cwtNodeInfoEntry	cwtSysObjId	OBJECT	SNMP	read-create

cwtGatewayFeederInfoChange Class

Table A-380 cwtGatewayFeederInfoChange Class Attributes

Name	Module	Object	Type	Section	Access
CISCO-WAN-TOPOLOGY-MIB .cwtFeederAtmIP	cwtFeederInfoEntr y	cwtFeederAtmIP	InetAddress	SNMP	read-only
CISCO-WAN-TOPOLOGY-MIB .cwtFeederLanIP	cwtFeederInfoEntr y	cwtFeederLanIP	InetAddress	SNMP	read-only
CISCO-WAN-TOPOLOGY-MIB .cwtFeederLMIType	cwtFeederInfoEntr y	cwtFeederLMIType	INTEGER	SNMP	read-only
CISCO-WAN-TOPOLOGY-MIB .cwtFeederName	cwtFeederInfoEntr y	cwtFeederName	SnmpAdminSt ring	SNMP	read-only
CISCO-WAN-TOPOLOGY-MIB .cwtFeederType	cwtFeederInfoEntr y	cwtFeederType	INTEGER	SNMP	read-only

Table A-380 cwtGatewayFeederInfoChange Class Attributes (continued)

CISCO-WAN-TOPOLOGY-MIB .cwtGatewayAdminStatus	cwtSystemGroup	cwtGatewayAdmin Status	INTEGER	SNMP	read-write
CISCO-WAN-TOPOLOGY-MIB .cwtGatewayNodeFlag	cwtNodeInfoEntry	cwtGatewayNodeFl ag	TruthValue	SNMP	read-create
CISCO-WAN-TOPOLOGY-MIB .cwtLocalIfIndex	cwtFeederInfoEntr y	cwtLocalIfIndex	InterfaceIndex	SNMP	read-only
CISCO-WAN-TOPOLOGY-MIB .cwtLocalIfName	cwtFeederInfoEntr y	cwtLocalIfName	SnmpAdminSt ring	SNMP	read-only
CISCO-WAN-TOPOLOGY-MIB .cwtLocalNodeId	cwtFeederInfoEntr y	cwtLocalNodeId	PnniNodeId	SNMP	read-only
CISCO-WAN-TOPOLOGY-MIB .cwtNodeId	cwtNodeInfoEntry	cwtNodeId	PnniNodeId	SNMP	read-create
CISCO-WAN-TOPOLOGY-MIB .cwtNodeName	cwtNodeInfoEntry	cwtNodeName	SnmpAdminSt ring	SNMP	read-create
CISCO-WAN-TOPOLOGY-MIB .cwtPrimIP	cwtNodeInfoEntry	cwtPrimIP	InetAddress	SNMP	read-create
CISCO-WAN-TOPOLOGY-MIB .cwtPrimIPIfName	cwtNodeInfoEntry	cwtPrimIPIfName	SnmpAdminSt ring	SNMP	read-create
CISCO-WAN-TOPOLOGY-MIB .cwtSecIP	cwtNodeInfoEntry	cwtSecIP	InetAddress	SNMP	read-create
CISCO-WAN-TOPOLOGY-MIB .cwtSecIPIfName	cwtNodeInfoEntry	cwtSecIPIfName	SnmpAdminSt ring	SNMP	read-create
CISCO-WAN-TOPOLOGY-MIB .cwtSysObjId	cwtNodeInfoEntry	cwtSysObjId	OBJECT	SNMP	read-create

cwtGatewayFeederInfoDelete Class

Table A-381 cwtGatewayFeederInfoDelete Class Attributes

Name	Module	Object	Type	Section	Access
CISCO-WAN-TOPOLOGY-MIB .cwtFeederAtmIP	cwtFeederInfoEntr y	cwtFeederAtmIP	InetAddress	SNMP	read-only
CISCO-WAN-TOPOLOGY-MIB .cwtFeederLanIP	cwtFeederInfoEntr y	cwtFeederLanIP	InetAddress	SNMP	read-only
CISCO-WAN-TOPOLOGY-MIB .cwtFeederLMIType	cwtFeederInfoEntr y	cwtFeederLMIType	INTEGER	SNMP	read-only
CISCO-WAN-TOPOLOGY-MIB .cwtFeederName	cwtFeederInfoEntr y	cwtFeederName	SnmpAdminSt ring	SNMP	read-only
CISCO-WAN-TOPOLOGY-MIB .cwtFeederType	cwtFeederInfoEntr y	cwtFeederType	INTEGER	SNMP	read-only

Table A-381 *cwtGatewayFeederInfoDelete Class Attributes (continued)*

CISCO-WAN-TOPOLOGY-MIB .cwtGatewayAdminStatus	cwtSystemGroup	cwtGatewayAdmin Status	INTEGER	SNMP	read-write
CISCO-WAN-TOPOLOGY-MIB .cwtGatewayNodeFlag	cwtNodeInfoEntry	cwtGatewayNodeFl ag	TruthValue	SNMP	read-create
CISCO-WAN-TOPOLOGY-MIB .cwtLocalIfIndex	cwtFeederInfoEntr y	cwtLocalIfIndex	InterfaceIndex	SNMP	read-only
CISCO-WAN-TOPOLOGY-MIB .cwtLocalIfName	cwtFeederInfoEntr y	cwtLocalIfName	SnmpAdminSt ring	SNMP	read-only
CISCO-WAN-TOPOLOGY-MIB .cwtLocalNodeId	cwtFeederInfoEntr y	cwtLocalNodeId	PnniNodeId	SNMP	read-only
CISCO-WAN-TOPOLOGY-MIB .cwtNodeId	cwtNodeInfoEntry	cwtNodeId	PnniNodeId	SNMP	read-create
CISCO-WAN-TOPOLOGY-MIB .cwtNodeName	cwtNodeInfoEntry	cwtNodeName	SnmpAdminSt ring	SNMP	read-create
CISCO-WAN-TOPOLOGY-MIB .cwtPrimIP	cwtNodeInfoEntry	cwtPrimIP	InetAddress	SNMP	read-create
CISCO-WAN-TOPOLOGY-MIB .cwtPrimIPIfName	cwtNodeInfoEntry	cwtPrimIPIfName	SnmpAdminSt ring	SNMP	read-create
CISCO-WAN-TOPOLOGY-MIB .cwtSecIP	cwtNodeInfoEntry	cwtSecIP	InetAddress	SNMP	read-create
CISCO-WAN-TOPOLOGY-MIB .cwtSecIPIfName	cwtNodeInfoEntry	cwtSecIPIfName	SnmpAdminSt ring	SNMP	read-create
CISCO-WAN-TOPOLOGY-MIB .cwtSysObjId	cwtNodeInfoEntry	cwtSysObjId	OBJECT	SNMP	read-create

cwShelfLossLmiAlarmTrap Class

The cwShelfLossLmiAlarmTrap class does not contain any attributes.

cwShelfLossLmiAlarmClearTrap Class

The cwShelfLossLmiAlarmClearTrap class does not contain any attributes.

cwControllerAdd Class

Table A-382 cwControllerAdd Class Attributes

Name	Module	Object	Type	Section	Access
CISCO-VSI-CONTROLLER-MIB.cvcConfControllerLocation	cvcConfEntry	cvcConfControllerLocation	Integer32	SNMP	read-create
CISCO-VSI-CONTROLLER-MIB.cvcConfControllerType	cvcConfEntry	cvcConfControllerType	CvcControllerType	SNMP	read-create
CISCO-WAN-TRAP-VARS-MIB.cwTrapCardRole	cwTrapVars	cwTrapCardRole	INTEGER	SNMP	read-only
CISCO-WAN-TRAP-VARS-MIB.cwTrapDisplayString	cwTrapVars	cwTrapDisplayString	DisplayString	SNMP	read-only
CISCO-WAN-TRAP-VARS-MIB.cwTrapIndex	cwTrapVars	cwTrapIndex	Integer32	SNMP	read-only
CISCO-WAN-TRAP-VARS-MIB.cwTrapLineModuleNumber	cwTrapVars	cwTrapLineModuleNumber	Integer32	SNMP	read-only
CISCO-WAN-TRAP-VARS-MIB.cwTrapOctetString	cwTrapVars	cwTrapOctetString	OCTET	SNMP	read-only
CISCO-WAN-TRAP-VARS-MIB.cwTrapPhysicalContainer	cwTrapVars	cwTrapPhysicalContainer	INTEGER	SNMP	read-only
CISCO-WAN-TRAP-VARS-MIB.cwTrapPhysicalUnit	cwTrapVars	cwTrapPhysicalUnit	INTEGER	SNMP	read-only
CISCO-WAN-TRAP-VARS-MIB.cwTrapPhysicalVendorType	cwTrapVars	cwTrapPhysicalVendorType	AutonomousType	SNMP	read-only
CISCO-WAN-TRAP-VARS-MIB.cwTrapSctCardType	cwTrapVars	cwTrapSctCardType	INTEGER	SNMP	read-only
CISCO-WAN-TRAP-VARS-MIB.cwTrapSctId	cwTrapVars	cwTrapSctId	Unsigned32	SNMP	read-only
CISCO-WAN-TRAP-VARS-MIB.cwTrapSctMajorVersion	cwTrapVars	cwTrapSctMajorVersion	Unsigned32	SNMP	read-only
CISCO-WAN-TRAP-VARS-MIB.cwTrapSctType	cwTrapVars	cwTrapSctType	INTEGER	SNMP	read-only
CISCO-WAN-TRAP-VARS-MIB.cwTrapSlotNumber	cwTrapVars	cwTrapSlotNumber	Integer32	SNMP	read-only

cwControllerDelete Class

Table A-383 cwControllerDelete Class Attributes

Name	Module	Object	Type	Section	Access
CISCO-VSI-CONTROLLER-MIB.cvcConfControllerLocation	cvcConfEntry	cvcConfControllerLocation	Integer32	SNMP	read-create
CISCO-VSI-CONTROLLER-MIB.cvcConfControllerType	cvcConfEntry	cvcConfControllerType	CvcControllerType	SNMP	read-create
CISCO-WAN-TRAP-VARS-MIB.cwTrapCardRole	cwTrapVars	cwTrapCardRole	INTEGER	SNMP	read-only
CISCO-WAN-TRAP-VARS-MIB.cwTrapDisplayString	cwTrapVars	cwTrapDisplayString	DisplayString	SNMP	read-only
CISCO-WAN-TRAP-VARS-MIB.cwTrapIndex	cwTrapVars	cwTrapIndex	Integer32	SNMP	read-only
CISCO-WAN-TRAP-VARS-MIB.cwTrapLineModuleNumber	cwTrapVars	cwTrapLineModuleNumber	Integer32	SNMP	read-only
CISCO-WAN-TRAP-VARS-MIB.cwTrapOctetString	cwTrapVars	cwTrapOctetString	OCTET	SNMP	read-only
CISCO-WAN-TRAP-VARS-MIB.cwTrapPhysicalContainer	cwTrapVars	cwTrapPhysicalContainer	INTEGER	SNMP	read-only
CISCO-WAN-TRAP-VARS-MIB.cwTrapPhysicalUnit	cwTrapVars	cwTrapPhysicalUnit	INTEGER	SNMP	read-only
CISCO-WAN-TRAP-VARS-MIB.cwTrapPhysicalVendorType	cwTrapVars	cwTrapPhysicalVendorType	AutonomousType	SNMP	read-only
CISCO-WAN-TRAP-VARS-MIB.cwTrapSctCardType	cwTrapVars	cwTrapSctCardType	INTEGER	SNMP	read-only
CISCO-WAN-TRAP-VARS-MIB.cwTrapSctId	cwTrapVars	cwTrapSctId	Unsigned32	SNMP	read-only
CISCO-WAN-TRAP-VARS-MIB.cwTrapSctMajorVersion	cwTrapVars	cwTrapSctMajorVersion	Unsigned32	SNMP	read-only
CISCO-WAN-TRAP-VARS-MIB.cwTrapSctType	cwTrapVars	cwTrapSctType	INTEGER	SNMP	read-only
CISCO-WAN-TRAP-VARS-MIB.cwTrapSlotNumber	cwTrapVars	cwTrapSlotNumber	Integer32	SNMP	read-only

cwSonetLineUp Class

Table A-384 cwSonetLineUp Class Attributes

Name	Module	Object	Type	Section	Access
ENTITY-MIB.entPhysicalContainedIn	entPhysicalEntry	entPhysicalContainedIn	INTEGER	SNMP	read-only
ENTITY-MIB.entPhysicalDescr	entPhysicalEntry	entPhysicalDescr	SnmpAdminString	SNMP	read-only
ENTITY-MIB.entPhysicalParentRelPos	entPhysicalEntry	entPhysicalParentRelPos	INTEGER	SNMP	read-only
ENTITY-MIB.entPhysicalVendorType	entPhysicalEntry	entPhysicalVendorType	AutonomousType	SNMP	read-only
IF-MIB.ifIndex	ifEntry	ifIndex	InterfaceIndex	SNMP, LocalDB	read-only
IF-MIB.ifName	ifXEntry	ifName	DisplayString	SNMP	read-only
IF-MIB.ifType	ifEntry	ifType	IANAifType	SNMP	read-only

cwSonetLineDown Class

Table A-385 cwSonetLineDown Class Attributes

Name	Module	Object	Type	Section	Access
ENTITY-MIB.entPhysicalContainedIn	entPhysicalEntry	entPhysicalContainedIn	INTEGER	SNMP	read-only
ENTITY-MIB.entPhysicalDescr	entPhysicalEntry	entPhysicalDescr	SnmpAdminString	SNMP	read-only
ENTITY-MIB.entPhysicalParentRelPos	entPhysicalEntry	entPhysicalParentRelPos	INTEGER	SNMP	read-only
ENTITY-MIB.entPhysicalVendorType	entPhysicalEntry	entPhysicalVendorType	AutonomousType	SNMP	read-only
IF-MIB.ifIndex	ifEntry	ifIndex	InterfaceIndex	SNMP, LocalDB	read-only
IF-MIB.ifName	ifXEntry	ifName	DisplayString	SNMP	read-only
IF-MIB.ifType	ifEntry	ifType	IANAifType	SNMP	read-only

cwSonetLineConfigChange Class

Table A-386 cwSonetLineConfigChange Class Attributes

Name	Module	Object	Type	Section	Access
ENTITY-MIB.entPhysicalContainedIn	entPhysicalEntry	entPhysicalContainedIn	INTEGER	SNMP	read-only
ENTITY-MIB.entPhysicalDescr	entPhysicalEntry	entPhysicalDescr	SnmpAdminString	SNMP	read-only
ENTITY-MIB.entPhysicalParentRelPos	entPhysicalEntry	entPhysicalParentRelPos	INTEGER	SNMP	read-only
ENTITY-MIB.entPhysicalVendorType	entPhysicalEntry	entPhysicalVendorType	AutonomousType	SNMP	read-only
IF-MIB.ifIndex	ifEntry	ifIndex	InterfaceIndex	SNMP, LocalDB	read-only
IF-MIB.ifName	ifXEntry	ifName	DisplayString	SNMP	read-only
IF-MIB.ifType	ifEntry	ifType	IANAifType	SNMP	read-only

cwSonetLineInAlarm Class

Table A-387 cwSonetLineInAlarm Class Attributes

Name	Module	Object	Type	Section	Access
ENTITY-MIB.entPhysicalContainedIn	entPhysicalEntry	entPhysicalContainedIn	INTEGER	SNMP	read-only
ENTITY-MIB.entPhysicalDescr	entPhysicalEntry	entPhysicalDescr	SnmpAdminString	SNMP	read-only
ENTITY-MIB.entPhysicalParentRelPos	entPhysicalEntry	entPhysicalParentRelPos	INTEGER	SNMP	read-only
ENTITY-MIB.entPhysicalVendorType	entPhysicalEntry	entPhysicalVendorType	AutonomousType	SNMP	read-only
IF-MIB.ifIndex	ifEntry	ifIndex	InterfaceIndex	SNMP, LocalDB	read-only
IF-MIB.ifName	ifXEntry	ifName	DisplayString	SNMP	read-only
IF-MIB.ifType	ifEntry	ifType	IANAifType	SNMP	read-only
SONET-MIB.sonetLineCurrentStatus	sonetLineCurrentEntry	sonetLineCurrentStatus	Integer32	SNMP	read-only

Table A-387 cwSonetLineInAlarm Class Attributes (continued)

SONET-MIB.sonetPathCurrentStatus	sonetPathCurrentEntry	sonetPathCurrentStatus	Integer32	SNMP	read-only
SONET-MIB.sonetSectionCurrentStatus	sonetSectionCurrentEntry	sonetSectionCurrentStatus	Integer32	SNMP	read-only

cwSonetLineNoAlarm Class

Table A-388 cwSonetLineNoAlarm Class Attributes

Name	Module	Object	Type	Section	Access
ENTITY-MIB.entPhysicalContainedIn	entPhysicalEntry	entPhysicalContainedIn	INTEGER	SNMP	read-only
ENTITY-MIB.entPhysicalDescription	entPhysicalEntry	entPhysicalDescription	SnmpAdminString	SNMP	read-only
ENTITY-MIB.entPhysicalParentRelPos	entPhysicalEntry	entPhysicalParentRelPos	INTEGER	SNMP	read-only
ENTITY-MIB.entPhysicalVendorType	entPhysicalEntry	entPhysicalVendorType	AutonomousType	SNMP	read-only
IF-MIB.ifIndex	ifEntry	ifIndex	InterfaceIndex	SNMP, LocalDB	read-only
IF-MIB.ifName	ifXEntry	ifName	DisplayString	SNMP	read-only
IF-MIB.ifType	ifEntry	ifType	IANAifType	SNMP	read-only
SONET-MIB.sonetLineCurrentStatus	sonetLineCurrentEntry	sonetLineCurrentStatus	Integer32	SNMP	read-only
SONET-MIB.sonetPathCurrentStatus	sonetPathCurrentEntry	sonetPathCurrentStatus	Integer32	SNMP	read-only
SONET-MIB.sonetSectionCurrentStatus	sonetSectionCurrentEntry	sonetSectionCurrentStatus	Integer32	SNMP	read-only

cwSonetLineLpbkEnable Class

Table A-389 cwSonetLineLpbkEnable Class Attributes

Name	Module	Object	Type	Section	Access
ENTITY-MIB.entPhysicalContainedIn	entPhysicalEntry	entPhysicalContainedIn	INTEGER	SNMP	read-only

Table A-389 cwSonetLineLpbkEnable Class Attributes (continued)

ENTITY-MIB.entPhysicalDescr	entPhysicalEntry	entPhysicalDescr	SnmpAdminString	SNMP	read-only
ENTITY-MIB.entPhysicalParentRelPos	entPhysicalEntry	entPhysicalParentRelPos	INTEGER	SNMP	read-only
ENTITY-MIB.entPhysicalVendorType	entPhysicalEntry	entPhysicalVendorType	AutonomousType	SNMP	read-only

cwSonetLineLpbkDisable Class

Table A-390 cwSonetLineLpbkDisable Class Attributes

Name	Module	Object	Type	Section	Access
ENTITY-MIB.entPhysicalContainedIn	entPhysicalEntry	entPhysicalContainedIn	INTEGER	SNMP	read-only
ENTITY-MIB.entPhysicalDescr	entPhysicalEntry	entPhysicalDescr	SnmpAdminString	SNMP	read-only
ENTITY-MIB.entPhysicalParentRelPos	entPhysicalEntry	entPhysicalParentRelPos	INTEGER	SNMP	read-only
ENTITY-MIB.entPhysicalVendorType	entPhysicalEntry	entPhysicalVendorType	AutonomousType	SNMP	read-only
IF-MIB.ifIndex	ifEntry	ifIndex	InterfaceIndex	SNMP, LocalDB	read-only
IF-MIB.ifName	ifXEntry	ifName	DisplayString	SNMP	read-only
IF-MIB.ifType	ifEntry	ifType	IANAifType	SNMP	read-only

cwSonetSectionStatAlarm Class

Table A-391 cwSonetSectionStatAlarm Class Attributes

Name	Module	Object	Type	Section	Access
CISCO-WAN-SONET-MIB.cwsLineStatAlarmStatus	cwsLineAlarmEntry	cwsLineStatAlarmStatus	Unsigned32	SNMP	read-only
CISCO-WAN-SONET-MIB.cwsPathStatAlarmStatus	cwsPathAlarmEntry	cwsPathStatAlarmStatus	Unsigned32	SNMP	read-only
CISCO-WAN-SONET-MIB.cwsSectionStatAlarmStatus	cwsSectionAlarmEntry	cwsSectionStatAlarmStatus	Unsigned32	SNMP	read-write

Table A-391 cwSonetSectionStatAlarm Class Attributes (continued)

ENTITY-MIB.entPhysicalContainedIn	entPhysicalEntry	entPhysicalContainedIn	INTEGER	SNMP	read-only
ENTITY-MIB.entPhysicalDescr	entPhysicalEntry	entPhysicalDescr	SnmpAdminString	SNMP	read-only
ENTITY-MIB.entPhysicalParentRelPos	entPhysicalEntry	entPhysicalParentRelPos	INTEGER	SNMP	read-only
ENTITY-MIB.entPhysicalVendorType	entPhysicalEntry	entPhysicalVendorType	AutonomousType	SNMP	read-only
IF-MIB.ifIndex	ifEntry	ifIndex	InterfaceIndex	SNMP, LocalDB	read-only
IF-MIB.ifName	ifXEntry	ifName	DisplayString	SNMP	read-only
IF-MIB.ifType	ifEntry	ifType	IANAifType	SNMP	read-only

cwSonetLineStatAlarm Class

Table A-392 cwSonetLineStatAlarm Class Attributes

Name	Module	Object	Type	Section	Access
CISCO-WAN-SONET-MIB.cwsLineStatAlarmStatus	cwsLineAlarmEntry	cwsLineStatAlarmStatus	Unsigned32	SNMP	read-only
CISCO-WAN-SONET-MIB.cwsPathStatAlarmStatus	cwsPathAlarmEntry	cwsPathStatAlarmStatus	Unsigned32	SNMP	read-only
CISCO-WAN-SONET-MIB.cwsSectionStatAlarmStatus	cwsSectionAlarmEntry	cwsSectionStatAlarmStatus	Unsigned32	SNMP	read-write
ENTITY-MIB.entPhysicalContainedIn	entPhysicalEntry	entPhysicalContainedIn	INTEGER	SNMP	read-only
ENTITY-MIB.entPhysicalDescr	entPhysicalEntry	entPhysicalDescr	SnmpAdminString	SNMP	read-only
ENTITY-MIB.entPhysicalParentRelPos	entPhysicalEntry	entPhysicalParentRelPos	INTEGER	SNMP	read-only
ENTITY-MIB.entPhysicalVendorType	entPhysicalEntry	entPhysicalVendorType	AutonomousType	SNMP	read-only
IF-MIB.ifIndex	ifEntry	ifIndex	InterfaceIndex	SNMP, LocalDB	read-only
IF-MIB.ifName	ifXEntry	ifName	DisplayString	SNMP	read-only
IF-MIB.ifType	ifEntry	ifType	IANAifType	SNMP	read-only

cwSonetPathStatAlarm Class

Table A-393 cwSonetPathStatAlarm Class Attributes

Name	Module	Object	Type	Section	Access
CISCO-WAN-SONET-MIB.cwsLineStatAlarmStatus	cwsLineAlarmEntry	cwsLineStatAlarmStatus	Unsigned32	SNMP	read-only
CISCO-WAN-SONET-MIB.cwsPathStatAlarmStatus	cwsPathAlarmEntry	cwsPathStatAlarmStatus	Unsigned32	SNMP	read-only
CISCO-WAN-SONET-MIB.cwsSectionStatAlarmStatus	cwsSectionAlarmEntry	cwsSectionStatAlarmStatus	Unsigned32	SNMP	read-write
ENTITY-MIB.entPhysicalContainedIn	entPhysicalEntry	entPhysicalContainedIn	INTEGER	SNMP	read-only
ENTITY-MIB.entPhysicalDescr	entPhysicalEntry	entPhysicalDescr	SnmpAdminString	SNMP	read-only
ENTITY-MIB.entPhysicalParentRelPos	entPhysicalEntry	entPhysicalParentRelPos	INTEGER	SNMP	read-only
ENTITY-MIB.entPhysicalVendorType	entPhysicalEntry	entPhysicalVendorType	AutonomousType	SNMP	read-only
IF-MIB.ifIndex	ifEntry	ifIndex	InterfaceIndex	SNMP, LocalDB	read-only
IF-MIB.ifName	ifXEntry	ifName	DisplayString	SNMP	read-only
IF-MIB.ifType	ifEntry	ifType	IANAifType	SNMP	read-only

cwSonetLineInSFAlarm Class

Table A-394 cwSonetLineInSFAlarm Class Attributes

Name	Module	Object	Type	Section	Access
ENTITY-MIB.entPhysicalContainedIn	entPhysicalEntry	entPhysicalContainedIn	INTEGER	SNMP	read-only
ENTITY-MIB.entPhysicalDescr	entPhysicalEntry	entPhysicalDescr	SnmpAdminString	SNMP	read-only
ENTITY-MIB.entPhysicalParentRelPos	entPhysicalEntry	entPhysicalParentRelPos	INTEGER	SNMP	read-only
ENTITY-MIB.entPhysicalVendorType	entPhysicalEntry	entPhysicalVendorType	AutonomousType	SNMP	read-only
IF-MIB.ifIndex	ifEntry	ifIndex	InterfaceIndex	SNMP, LocalDB	read-only

Table A-394 cwSonetLineInSFAlarm Class Attributes (continued)

IF-MIB.ifName	ifXEntry	ifName	DisplayString	SNMP	read-only
IF-MIB.ifType	ifEntry	ifType	IANAifType	SNMP	read-only

cwSonetLineInSFAlarmClear Class

Table A-395 cwSonetLineInSFAlarmClear Class Attributes

Name	Module	Object	Type	Section	Access
ENTITY-MIB.entPhysicalContainedIn	entPhysicalEntry	entPhysicalContainedIn	INTEGER	SNMP	read-only
ENTITY-MIB.entPhysicalDescription	entPhysicalEntry	entPhysicalDescription	SnmpAdminString	SNMP	read-only
ENTITY-MIB.entPhysicalParentRelPos	entPhysicalEntry	entPhysicalParentRelPos	INTEGER	SNMP	read-only
ENTITY-MIB.entPhysicalVendorType	entPhysicalEntry	entPhysicalVendorType	AutonomousType	SNMP	read-only
IF-MIB.ifIndex	ifEntry	ifIndex	InterfaceIndex	SNMP, LocalDB	read-only
IF-MIB.ifName	ifXEntry	ifName	DisplayString	SNMP	read-only
IF-MIB.ifType	ifEntry	ifType	IANAifType	SNMP	read-only

cwSonetLineInSDAlarm Class

Table A-396 cwSonetLineInSDAlarm Class Attributes

Name	Module	Object	Type	Section	Access
ENTITY-MIB.entPhysicalContainedIn	entPhysicalEntry	entPhysicalContainedIn	INTEGER	SNMP	read-only
ENTITY-MIB.entPhysicalDescription	entPhysicalEntry	entPhysicalDescription	SnmpAdminString	SNMP	read-only
ENTITY-MIB.entPhysicalParentRelPos	entPhysicalEntry	entPhysicalParentRelPos	INTEGER	SNMP	read-only
ENTITY-MIB.entPhysicalVendorType	entPhysicalEntry	entPhysicalVendorType	AutonomousType	SNMP	read-only
IF-MIB.ifIndex	ifEntry	ifIndex	InterfaceIndex	SNMP, LocalDB	read-only

Table A-396 cwSonetLineInSDAlarm Class Attributes (continued)

IF-MIB.ifName	ifXEntry	ifName	DisplayString	SNMP	read-only
IF-MIB.ifType	ifEntry	ifType	IANAifType	SNMP	read-only

cwSonetLineInSDAlarmClear Class

Table A-397 cwSonetLineInSDAlarmClear Class Attributes

Name	Module	Object	Type	Section	Access
ENTITY-MIB.entPhysicalContainedIn	entPhysicalEntry	entPhysicalContainedIn	INTEGER	SNMP	read-only
ENTITY-MIB.entPhysicalDescr	entPhysicalEntry	entPhysicalDescr	SnmpAdminString	SNMP	read-only
ENTITY-MIB.entPhysicalParentRelPos	entPhysicalEntry	entPhysicalParentRelPos	INTEGER	SNMP	read-only
ENTITY-MIB.entPhysicalVendorType	entPhysicalEntry	entPhysicalVendorType	AutonomousType	SNMP	read-only
IF-MIB.ifIndex	ifEntry	ifIndex	InterfaceIndex	SNMP, LocalDB	read-only
IF-MIB.ifName	ifXEntry	ifName	DisplayString	SNMP	read-only
IF-MIB.ifType	ifEntry	ifType	IANAifType	SNMP	read-only

cwSonetApsConfigChange Class

Table A-398 cwSonetApsConfigChange Class Attributes

Name	Module	Object	Type	Section	Access
CISCO-SONET-MIB.csApsActiveLine	csApsConfigEntry	csApsActiveLine	INTEGER	SNMP	read-only
CISCO-SONET-MIB.csApsLineFailureCode	csApsConfig	csApsLineFailureCode	CsApsLineFailureCode	SNMP	read-only
CISCO-SONET-MIB.csApsLineSwitchReason	csApsConfig	csApsLineSwitchReason	CsApsLineSwitchReason	SNMP	read-only
CISCO-SONET-MIB.csApsPrimarySection	csApsConfigEntry	csApsPrimarySection	INTEGER	SNMP	read-only
CISCO-SONET-MIB.csApsProtectionIndex	csApsConfigEntry	csApsProtectionIndex	InterfaceIndex	SNMP	read-write

Table A-398 cwSonetApsConfigChange Class Attributes (continued)

CISCO-SONET-MIB.cspTraceFailure	cspTraceEntry	cspTraceFailure	TruthValue	SNMP	read-only
CISCO-SONET-MIB.cssTraceFailure	cssTraceEntry	cssTraceFailure	TruthValue	SNMP	read-only
ENTITY-MIB.entPhysicalContainedIn	entPhysicalEntry	entPhysicalContainedIn	INTEGER	SNMP	read-only
ENTITY-MIB.entPhysicalDescr	entPhysicalEntry	entPhysicalDescr	SnmpAdminString	SNMP	read-only
ENTITY-MIB.entPhysicalParentRelPos	entPhysicalEntry	entPhysicalParentRelPos	INTEGER	SNMP	read-only
ENTITY-MIB.entPhysicalVendorType	entPhysicalEntry	entPhysicalVendorType	AutonomousType	SNMP	read-only
IF-MIB.ifIndex	ifEntry	ifIndex	InterfaceIndex	SNMP, LocalDB	read-only
IF-MIB.ifName	ifXEntry	ifName	DisplayString	SNMP	read-only
IF-MIB.ifType	ifEntry	ifType	IANAifType	SNMP	read-only

cwSonetApsEnable Class

Table A-399 cwSonetApsEnable Class Attributes

Name	Module	Object	Type	Section	Access
CISCO-SONET-MIB.csApsActiveLine	csApsConfigEntry	csApsActiveLine	INTEGER	SNMP	read-only
CISCO-SONET-MIB.csApsLineFailureCode	csApsConfig	csApsLineFailureCode	CsApsLineFailureCode	SNMP	read-only
CISCO-SONET-MIB.csApsLineSwitchReason	csApsConfig	csApsLineSwitchReason	CsApsLineSwitchReason	SNMP	read-only
CISCO-SONET-MIB.csApsPrimarySection	csApsConfigEntry	csApsPrimarySection	INTEGER	SNMP	read-only
CISCO-SONET-MIB.csApsProtectionIndex	csApsConfigEntry	csApsProtectionIndex	InterfaceIndex	SNMP	read-write
CISCO-SONET-MIB.cspTraceFailure	cspTraceEntry	cspTraceFailure	TruthValue	SNMP	read-only
CISCO-SONET-MIB.cssTraceFailure	cssTraceEntry	cssTraceFailure	TruthValue	SNMP	read-only
ENTITY-MIB.entPhysicalContainedIn	entPhysicalEntry	entPhysicalContainedIn	INTEGER	SNMP	read-only
ENTITY-MIB.entPhysicalDescr	entPhysicalEntry	entPhysicalDescr	SnmpAdminString	SNMP	read-only

Table A-399 cwSonetApsEnable Class Attributes (continued)

ENTITY-MIB.entPhysicalParentRelPos	entPhysicalEntry	entPhysicalParentRelPos	INTEGER	SNMP	read-only
ENTITY-MIB.entPhysicalVendorType	entPhysicalEntry	entPhysicalVendorType	AutonomousType	SNMP	read-only
IF-MIB.ifIndex	ifEntry	ifIndex	InterfaceIndex	SNMP, LocalDB	read-only
IF-MIB.ifName	ifXEntry	ifName	DisplayString	SNMP	read-only
IF-MIB.ifType	ifEntry	ifType	IANAifType	SNMP	read-only

cwSonetApsDisable Class

Table A-400 cwSonetApsDisable Class Attributes

Name	Module	Object	Type	Section	Access
CISCO-SONET-MIB.csApsActiveLine	csApsConfigEntry	csApsActiveLine	INTEGER	SNMP	read-only
CISCO-SONET-MIB.csApsLineFailureCode	csApsConfig	csApsLineFailureCode	CsApsLineFailureCode	SNMP	read-only
CISCO-SONET-MIB.csApsLineSwitchReason	csApsConfig	csApsLineSwitchReason	CsApsLineSwitchReason	SNMP	read-only
CISCO-SONET-MIB.csApsPrimarySection	csApsConfigEntry	csApsPrimarySection	INTEGER	SNMP	read-only
CISCO-SONET-MIB.csApsProtectionIndex	csApsConfigEntry	csApsProtectionIndex	InterfaceIndex	SNMP	read-write
CISCO-SONET-MIB.cspTraceFailure	cspTraceEntry	cspTraceFailure	TruthValue	SNMP	read-only
CISCO-SONET-MIB.cssTraceFailure	cssTraceEntry	cssTraceFailure	TruthValue	SNMP	read-only
ENTITY-MIB.entPhysicalContainedIn	entPhysicalEntry	entPhysicalContainedIn	INTEGER	SNMP	read-only
ENTITY-MIB.entPhysicalDescriptor	entPhysicalEntry	entPhysicalDescriptor	SnmAdminString	SNMP	read-only
ENTITY-MIB.entPhysicalParentRelPos	entPhysicalEntry	entPhysicalParentRelPos	INTEGER	SNMP	read-only
ENTITY-MIB.entPhysicalVendorType	entPhysicalEntry	entPhysicalVendorType	AutonomousType	SNMP	read-only
IF-MIB.ifIndex	ifEntry	ifIndex	InterfaceIndex	SNMP, LocalDB	read-only
IF-MIB.ifName	ifXEntry	ifName	DisplayString	SNMP	read-only
IF-MIB.ifType	ifEntry	ifType	IANAifType	SNMP	read-only

cwSonetApsLineFailure Class

Table A-401 cwSonetApsLineFailure Class Attributes

Name	Module	Object	Type	Section	Access
CISCO-SONET-MIB.csApsActiveLine	csApsConfigEntry	csApsActiveLine	INTEGER	SNMP	read-only
CISCO-SONET-MIB.csApsLineFailureCode	csApsConfig	csApsLineFailureCode	CsApsLineFailureCode	SNMP	read-only
CISCO-SONET-MIB.csApsLineSwitchReason	csApsConfig	csApsLineSwitchReason	CsApsLineSwitchReason	SNMP	read-only
CISCO-SONET-MIB.csApsPrimarySection	csApsConfigEntry	csApsPrimarySection	INTEGER	SNMP	read-only
CISCO-SONET-MIB.csApsProtectionIndex	csApsConfigEntry	csApsProtectionIndex	InterfaceIndex	SNMP	read-write
CISCO-SONET-MIB.cspTraceFailure	cspTraceEntry	cspTraceFailure	TruthValue	SNMP	read-only
CISCO-SONET-MIB.cssTraceFailure	cssTraceEntry	cssTraceFailure	TruthValue	SNMP	read-only
ENTITY-MIB.entPhysicalContainedIn	entPhysicalEntry	entPhysicalContainedIn	INTEGER	SNMP	read-only
ENTITY-MIB.entPhysicalDescr	entPhysicalEntry	entPhysicalDescr	SnmAdminString	SNMP	read-only
ENTITY-MIB.entPhysicalParentRelPos	entPhysicalEntry	entPhysicalParentRelPos	INTEGER	SNMP	read-only
ENTITY-MIB.entPhysicalVendorType	entPhysicalEntry	entPhysicalVendorType	AutonomousType	SNMP	read-only
IF-MIB.ifIndex	ifEntry	ifIndex	InterfaceIndex	SNMP, LocalDB	read-only
IF-MIB.ifName	ifXEntry	ifName	DisplayString	SNMP	read-only
IF-MIB.ifType	ifEntry	ifType	IANAifType	SNMP	read-only

cwSonetApsLineSwitch Class

Table A-402 cwSonetApsLineSwitch Class Attributes

Name	Module	Object	Type	Section	Access
CISCO-SONET-MIB.csApsActiveLine	csApsConfigEntry	csApsActiveLine	INTEGER	SNMP	read-only
CISCO-SONET-MIB.csApsLineFailureCode	csApsConfig	csApsLineFailureCode	CsApsLineFailureCode	SNMP	read-only

Table A-402 cwSonetApsLineSwitch Class Attributes (continued)

CISCO-SONET-MIB.csApsLineSwitchReason	csApsConfig	csApsLineSwitchReason	CsApsLineSwitchReason	SNMP	read-only
CISCO-SONET-MIB.csApsPrimarySection	csApsConfigEntry	csApsPrimarySection	INTEGER	SNMP	read-only
CISCO-SONET-MIB.csApsProtectionIndex	csApsConfigEntry	csApsProtectionIndex	InterfaceIndex	SNMP	read-write
CISCO-SONET-MIB.cspTraceFailure	cspTraceEntry	cspTraceFailure	TruthValue	SNMP	read-only
CISCO-SONET-MIB.cssTraceFailure	cssTraceEntry	cssTraceFailure	TruthValue	SNMP	read-only
ENTITY-MIB.entPhysicalContainedIn	entPhysicalEntry	entPhysicalContainedIn	INTEGER	SNMP	read-only
ENTITY-MIB.entPhysicalDescription	entPhysicalEntry	entPhysicalDescription	SnmAdminString	SNMP	read-only
ENTITY-MIB.entPhysicalParentRelPos	entPhysicalEntry	entPhysicalParentRelPos	INTEGER	SNMP	read-only
ENTITY-MIB.entPhysicalVendorType	entPhysicalEntry	entPhysicalVendorType	AutonomousType	SNMP	read-only
IF-MIB.ifIndex	ifEntry	ifIndex	InterfaceIndex	SNMP, LocalDB	read-only
IF-MIB.ifName	ifXEntry	ifName	DisplayString	SNMP	read-only
IF-MIB.ifType	ifEntry	ifType	IANAifType	SNMP	read-only

cwSonetApsLineSwitchFailure Class

Table A-403 cwSonetApsLineSwitchFailure Class Attributes

Name	Module	Object	Type	Section	Access
CISCO-SONET-MIB.csApsActiveLine	csApsConfigEntry	csApsActiveLine	INTEGER	SNMP	read-only
CISCO-SONET-MIB.csApsLineFailureCode	csApsConfig	csApsLineFailureCode	CsApsLineFailureCode	SNMP	read-only
CISCO-SONET-MIB.csApsLineSwitchReason	csApsConfig	csApsLineSwitchReason	CsApsLineSwitchReason	SNMP	read-only
CISCO-SONET-MIB.csApsPrimarySection	csApsConfigEntry	csApsPrimarySection	INTEGER	SNMP	read-only
CISCO-SONET-MIB.csApsProtectionIndex	csApsConfigEntry	csApsProtectionIndex	InterfaceIndex	SNMP	read-write
CISCO-SONET-MIB.cspTraceFailure	cspTraceEntry	cspTraceFailure	TruthValue	SNMP	read-only

Table A-403 cwSonetApsLineSwitchFailure Class Attributes (continued)

CISCO-SONET-MIB.cssTraceFailure	cssTraceEntry	cssTraceFailure	TruthValue	SNMP	read-only
ENTITY-MIB.entPhysicalContainedIn	entPhysicalEntry	entPhysicalContainedIn	INTEGER	SNMP	read-only
ENTITY-MIB.entPhysicalDescr	entPhysicalEntry	entPhysicalDescr	SnmpAdminString	SNMP	read-only
ENTITY-MIB.entPhysicalParentRelPos	entPhysicalEntry	entPhysicalParentRelPos	INTEGER	SNMP	read-only
ENTITY-MIB.entPhysicalVendorType	entPhysicalEntry	entPhysicalVendorType	AutonomousType	SNMP	read-only
IF-MIB.ifIndex	ifEntry	ifIndex	InterfaceIndex	SNMP, LocalDB	read-only
IF-MIB.ifName	ifXEntry	ifName	DisplayString	SNMP	read-only
IF-MIB.ifType	ifEntry	ifType	IANAifType	SNMP	read-only

cwSonetApsRedundantLineInAlarm Class

Table A-404 cwSonetApsRedundantLineInAlarm Class Attributes

Name	Module	Object	Type	Section	Access
CISCO-SONET-MIB.csApsActiveLine	csApsConfigEntry	csApsActiveLine	INTEGER	SNMP	read-only
CISCO-SONET-MIB.csApsLineFailureCode	csApsConfig	csApsLineFailureCode	CsApsLineFailureCode	SNMP	read-only
CISCO-SONET-MIB.csApsLineSwitchReason	csApsConfig	csApsLineSwitchReason	CsApsLineSwitchReason	SNMP	read-only
CISCO-SONET-MIB.csApsPrimarySection	csApsConfigEntry	csApsPrimarySection	INTEGER	SNMP	read-only
CISCO-SONET-MIB.csApsProtectionIndex	csApsConfigEntry	csApsProtectionIndex	InterfaceIndex	SNMP	read-write
CISCO-SONET-MIB.cspTraceFailure	cspTraceEntry	cspTraceFailure	TruthValue	SNMP	read-only
CISCO-SONET-MIB.cssTraceFailure	cssTraceEntry	cssTraceFailure	TruthValue	SNMP	read-only
ENTITY-MIB.entPhysicalContainedIn	entPhysicalEntry	entPhysicalContainedIn	INTEGER	SNMP	read-only
ENTITY-MIB.entPhysicalDescr	entPhysicalEntry	entPhysicalDescr	SnmpAdminString	SNMP	read-only
ENTITY-MIB.entPhysicalParentRelPos	entPhysicalEntry	entPhysicalParentRelPos	INTEGER	SNMP	read-only

Table A-404 cwSonetApsRedundantLineInAlarm Class Attributes (continued)

ENTITY-MIB.entPhysicalVendorType	entPhysicalEntry	entPhysicalVendorType	AutonomousType	SNMP	read-only
IF-MIB.ifIndex	ifEntry	ifIndex	InterfaceIndex	SNMP, LocalDB	read-only
IF-MIB.ifName	ifXEntry	ifName	DisplayString	SNMP	read-only
IF-MIB.ifType	ifEntry	ifType	IANAifType	SNMP	read-only

cwSonetApsRedundantLineAlarmClear Class

Table A-405 cwSonetApsRedundantLineAlarmClear Class Attributes

Name	Module	Object	Type	Section	Access
CISCO-SONET-MIB.csApsActiveLine	csApsConfigEntry	csApsActiveLine	INTEGER	SNMP	read-only
CISCO-SONET-MIB.csApsLineFailureCode	csApsConfig	csApsLineFailureCode	CsApsLineFailureCode	SNMP	read-only
CISCO-SONET-MIB.csApsLineSwitchReason	csApsConfig	csApsLineSwitchReason	CsApsLineSwitchReason	SNMP	read-only
CISCO-SONET-MIB.csApsPrimarySection	csApsConfigEntry	csApsPrimarySection	INTEGER	SNMP	read-only
CISCO-SONET-MIB.csApsProtectionIndex	csApsConfigEntry	csApsProtectionIndex	InterfaceIndex	SNMP	read-write
CISCO-SONET-MIB.cspTraceFailure	cspTraceEntry	cspTraceFailure	TruthValue	SNMP	read-only
CISCO-SONET-MIB.cssTraceFailure	cssTraceEntry	cssTraceFailure	TruthValue	SNMP	read-only
ENTITY-MIB.entPhysicalContainedIn	entPhysicalEntry	entPhysicalContainedIn	INTEGER	SNMP	read-only
ENTITY-MIB.entPhysicalDescription	entPhysicalEntry	entPhysicalDescription	SnmpAdminString	SNMP	read-only
ENTITY-MIB.entPhysicalParentRelPos	entPhysicalEntry	entPhysicalParentRelPos	INTEGER	SNMP	read-only
ENTITY-MIB.entPhysicalVendorType	entPhysicalEntry	entPhysicalVendorType	AutonomousType	SNMP	read-only
IF-MIB.ifIndex	ifEntry	ifIndex	InterfaceIndex	SNMP, LocalDB	read-only
IF-MIB.ifName	ifXEntry	ifName	DisplayString	SNMP	read-only
IF-MIB.ifType	ifEntry	ifType	IANAifType	SNMP	read-only

cwSonetApsFailureClear Class

Table A-406 cwSonetApsFailureClear Class Attributes

Name	Module	Object	Type	Section	Access
CISCO-SONET-MIB.csApsActiveLine	csApsConfigEntry	csApsActiveLine	INTEGER	SNMP	read-only
CISCO-SONET-MIB.csApsLineFailureCode	csApsConfig	csApsLineFailureCode	CsApsLineFailureCode	SNMP	read-only
CISCO-SONET-MIB.csApsLineSwitchReason	csApsConfig	csApsLineSwitchReason	CsApsLineSwitchReason	SNMP	read-only
CISCO-SONET-MIB.csApsPrimarySection	csApsConfigEntry	csApsPrimarySection	INTEGER	SNMP	read-only
CISCO-SONET-MIB.csApsProtectionIndex	csApsConfigEntry	csApsProtectionIndex	InterfaceIndex	SNMP	read-write
CISCO-SONET-MIB.cspTraceFailure	cspTraceEntry	cspTraceFailure	TruthValue	SNMP	read-only
CISCO-SONET-MIB.cssTraceFailure	cssTraceEntry	cssTraceFailure	TruthValue	SNMP	read-only
ENTITY-MIB.entPhysicalContainedIn	entPhysicalEntry	entPhysicalContainedIn	INTEGER	SNMP	read-only
ENTITY-MIB.entPhysicalDescriptor	entPhysicalEntry	entPhysicalDescriptor	SnmAdminString	SNMP	read-only
ENTITY-MIB.entPhysicalParentRelPos	entPhysicalEntry	entPhysicalParentRelPos	INTEGER	SNMP	read-only
ENTITY-MIB.entPhysicalVendorType	entPhysicalEntry	entPhysicalVendorType	AutonomousType	SNMP	read-only
IF-MIB.ifIndex	ifEntry	ifIndex	InterfaceIndex	SNMP, LocalDB	read-only
IF-MIB.ifName	ifXEntry	ifName	DisplayString	SNMP	read-only
IF-MIB.ifType	ifEntry	ifType	IANAifType	SNMP	read-only

cwSonetApsModeMismatch Class

Table A-407 cwSonetApsModeMismatch Class Attributes

Name	Module	Object	Type	Section	Access
CISCO-SONET-MIB.csApsActiveLine	csApsConfigEntry	csApsActiveLine	INTEGER	SNMP	read-only
CISCO-SONET-MIB.csApsLineFailureCode	csApsConfig	csApsLineFailureCode	CsApsLineFailureCode	SNMP	read-only

Table A-407 cwSonetApsModeMismatch Class Attributes (continued)

CISCO-SONET-MIB.csApsLineSwitchReason	csApsConfig	csApsLineSwitchReason	CsApsLineSwitchReason	SNMP	read-only
CISCO-SONET-MIB.csApsPrimarySection	csApsConfigEntry	csApsPrimarySection	INTEGER	SNMP	read-only
CISCO-SONET-MIB.csApsProtectionIndex	csApsConfigEntry	csApsProtectionIndex	InterfaceIndex	SNMP	read-write
CISCO-SONET-MIB.cspTraceFailure	cspTraceEntry	cspTraceFailure	TruthValue	SNMP	read-only
CISCO-SONET-MIB.cssTraceFailure	cssTraceEntry	cssTraceFailure	TruthValue	SNMP	read-only
ENTITY-MIB.entPhysicalContainedIn	entPhysicalEntry	entPhysicalContainedIn	INTEGER	SNMP	read-only
ENTITY-MIB.entPhysicalDescription	entPhysicalEntry	entPhysicalDescription	SnmAdminString	SNMP	read-only
ENTITY-MIB.entPhysicalParentRelPos	entPhysicalEntry	entPhysicalParentRelPos	INTEGER	SNMP	read-only
ENTITY-MIB.entPhysicalVendorType	entPhysicalEntry	entPhysicalVendorType	AutonomousType	SNMP	read-only
IF-MIB.ifIndex	ifEntry	ifIndex	InterfaceIndex	SNMP, LocalDB	read-only
IF-MIB.ifName	ifXEntry	ifName	DisplayString	SNMP	read-only
IF-MIB.ifType	ifEntry	ifType	IANAifType	SNMP	read-only

cwSonetApsModeMismatchClear Class

Table A-408 cwSonetApsModeMismatchClear Class Attributes

Name	Module	Object	Type	Section	Access
CISCO-SONET-MIB.csApsActiveLine	csApsConfigEntry	csApsActiveLine	INTEGER	SNMP	read-only
CISCO-SONET-MIB.csApsLineFailureCode	csApsConfig	csApsLineFailureCode	CsApsLineFailureCode	SNMP	read-only
CISCO-SONET-MIB.csApsLineSwitchReason	csApsConfig	csApsLineSwitchReason	CsApsLineSwitchReason	SNMP	read-only
CISCO-SONET-MIB.csApsPrimarySection	csApsConfigEntry	csApsPrimarySection	INTEGER	SNMP	read-only
CISCO-SONET-MIB.csApsProtectionIndex	csApsConfigEntry	csApsProtectionIndex	InterfaceIndex	SNMP	read-write
CISCO-SONET-MIB.cspTraceFailure	cspTraceEntry	cspTraceFailure	TruthValue	SNMP	read-only

Table A-408 cwSonetApsModeMismatchClear Class Attributes (continued)

CISCO-SONET-MIB.cssTraceFailure	cssTraceEntry	cssTraceFailure	TruthValue	SNMP	read-only
ENTITY-MIB.entPhysicalContainedIn	entPhysicalEntry	entPhysicalContainedIn	INTEGER	SNMP	read-only
ENTITY-MIB.entPhysicalDescr	entPhysicalEntry	entPhysicalDescr	SnmpAdminString	SNMP	read-only
ENTITY-MIB.entPhysicalParentRelPos	entPhysicalEntry	entPhysicalParentRelPos	INTEGER	SNMP	read-only
ENTITY-MIB.entPhysicalVendorType	entPhysicalEntry	entPhysicalVendorType	AutonomousType	SNMP	read-only
IF-MIB.ifIndex	ifEntry	ifIndex	InterfaceIndex	SNMP, LocalDB	read-only
IF-MIB.ifName	ifXEntry	ifName	DisplayString	SNMP	read-only
IF-MIB.ifType	ifEntry	ifType	IANAifType	SNMP	read-only

cwSonetApsPrimarySecondarySwap Class

Table A-409 cwSonetApsPrimarySecondarySwap Class Attributes

Name	Module	Object	Type	Section	Access
CISCO-SONET-MIB.csApsActiveLine	csApsConfigEntry	csApsActiveLine	INTEGER	SNMP	read-only
CISCO-SONET-MIB.csApsLineFailureCode	csApsConfig	csApsLineFailureCode	CsApsLineFailureCode	SNMP	read-only
CISCO-SONET-MIB.csApsLineSwitchReason	csApsConfig	csApsLineSwitchReason	CsApsLineSwitchReason	SNMP	read-only
CISCO-SONET-MIB.csApsPrimarySection	csApsConfigEntry	csApsPrimarySection	INTEGER	SNMP	read-only
CISCO-SONET-MIB.csApsProtectionIndex	csApsConfigEntry	csApsProtectionIndex	InterfaceIndex	SNMP	read-write
CISCO-SONET-MIB.cspTraceFailure	cspTraceEntry	cspTraceFailure	TruthValue	SNMP	read-only
CISCO-SONET-MIB.cssTraceFailure	cssTraceEntry	cssTraceFailure	TruthValue	SNMP	read-only
ENTITY-MIB.entPhysicalContainedIn	entPhysicalEntry	entPhysicalContainedIn	INTEGER	SNMP	read-only
ENTITY-MIB.entPhysicalDescr	entPhysicalEntry	entPhysicalDescr	SnmpAdminString	SNMP	read-only
ENTITY-MIB.entPhysicalParentRelPos	entPhysicalEntry	entPhysicalParentRelPos	INTEGER	SNMP	read-only

Table A-409 cwSonetApsPrimarySecondarySwap Class Attributes (continued)

ENTITY-MIB.entPhysicalVendorType	entPhysicalEntry	entPhysicalVendorType	AutonomousType	SNMP	read-only
IF-MIB.ifIndex	ifEntry	ifIndex	InterfaceIndex	SNMP, LocalDB	read-only
IF-MIB.ifName	ifXEntry	ifName	DisplayString	SNMP	read-only
IF-MIB.ifType	ifEntry	ifType	IANAifType	SNMP	read-only

cwSonetApsProtectionLineAdd Class

Table A-410 cwSonetApsProtectionLineAdd Class Attributes

Name	Module	Object	Type	Section	Access
CISCO-SONET-MIB.csApsActiveLine	csApsConfigEntry	csApsActiveLine	INTEGER	SNMP	read-only
CISCO-SONET-MIB.csApsLineFailureCode	csApsConfig	csApsLineFailureCode	CsApsLineFailureCode	SNMP	read-only
CISCO-SONET-MIB.csApsLineSwitchReason	csApsConfig	csApsLineSwitchReason	CsApsLineSwitchReason	SNMP	read-only
CISCO-SONET-MIB.csApsPrimarySection	csApsConfigEntry	csApsPrimarySection	INTEGER	SNMP	read-only
CISCO-SONET-MIB.csApsProtectionIndex	csApsConfigEntry	csApsProtectionIndex	InterfaceIndex	SNMP	read-write
CISCO-SONET-MIB.cspTraceFailure	cspTraceEntry	cspTraceFailure	TruthValue	SNMP	read-only
CISCO-SONET-MIB.cssTraceFailure	cssTraceEntry	cssTraceFailure	TruthValue	SNMP	read-only
ENTITY-MIB.entPhysicalContainedIn	entPhysicalEntry	entPhysicalContainedIn	INTEGER	SNMP	read-only
ENTITY-MIB.entPhysicalDescriptor	entPhysicalEntry	entPhysicalDescriptor	SnmpAdminString	SNMP	read-only
ENTITY-MIB.entPhysicalParentRelPos	entPhysicalEntry	entPhysicalParentRelPos	INTEGER	SNMP	read-only
ENTITY-MIB.entPhysicalVendorType	entPhysicalEntry	entPhysicalVendorType	AutonomousType	SNMP	read-only
IF-MIB.ifIndex	ifEntry	ifIndex	InterfaceIndex	SNMP, LocalDB	read-only
IF-MIB.ifName	ifXEntry	ifName	DisplayString	SNMP	read-only
IF-MIB.ifType	ifEntry	ifType	IANAifType	SNMP	read-only

cwSonetApsProtectionLineDelete Class

Table A-411 cwSonetApsProtectionLineDelete Class Attributes

Name	Module	Object	Type	Section	Access
CISCO-SONET-MIB.csApsActiveLine	csApsConfigEntry	csApsActiveLine	INTEGER	SNMP	read-only
CISCO-SONET-MIB.csApsLineFailureCode	csApsConfig	csApsLineFailureCode	CsApsLineFailureCode	SNMP	read-only
CISCO-SONET-MIB.csApsLineSwitchReason	csApsConfig	csApsLineSwitchReason	CsApsLineSwitchReason	SNMP	read-only
CISCO-SONET-MIB.csApsPrimarySection	csApsConfigEntry	csApsPrimarySection	INTEGER	SNMP	read-only
CISCO-SONET-MIB.csApsProtectionIndex	csApsConfigEntry	csApsProtectionIndex	InterfaceIndex	SNMP	read-write
CISCO-SONET-MIB.cspTraceFailure	cspTraceEntry	cspTraceFailure	TruthValue	SNMP	read-only
CISCO-SONET-MIB.cssTraceFailure	cssTraceEntry	cssTraceFailure	TruthValue	SNMP	read-only
ENTITY-MIB.entPhysicalContainedIn	entPhysicalEntry	entPhysicalContainedIn	INTEGER	SNMP	read-only
ENTITY-MIB.entPhysicalDescriptor	entPhysicalEntry	entPhysicalDescriptor	SnmpAdminString	SNMP	read-only
ENTITY-MIB.entPhysicalParentRelPos	entPhysicalEntry	entPhysicalParentRelPos	INTEGER	SNMP	read-only
ENTITY-MIB.entPhysicalVendorType	entPhysicalEntry	entPhysicalVendorType	AutonomousType	SNMP	read-only
IF-MIB.ifIndex	ifEntry	ifIndex	InterfaceIndex	SNMP, LocalDB	read-only
IF-MIB.ifName	ifXEntry	ifName	DisplayString	SNMP	read-only
IF-MIB.ifType	ifEntry	ifType	IANAifType	SNMP	read-only

cwDs3LineUp Class

Table A-412 cwDs3LineUp Class Attributes

Name	Module	Object	Type	Section	Access
ENTITY-MIB.entPhysicalContainedIn	entPhysicalEntry	entPhysicalContainedIn	INTEGER	SNMP	read-only
ENTITY-MIB.entPhysicalDescriptor	entPhysicalEntry	entPhysicalDescriptor	SnmpAdminString	SNMP	read-only

Table A-412 cwDs3LineUp Class Attributes (continued)

ENTITY-MIB.entPhysicalParentRelPos	entPhysicalEntry	entPhysicalParentRelPos	INTEGER	SNMP	read-only
ENTITY-MIB.entPhysicalVendorType	entPhysicalEntry	entPhysicalVendorType	AutonomousType	SNMP	read-only
IF-MIB.ifIndex	ifEntry	ifIndex	InterfaceIndex	SNMP, LocalDB	read-only
IF-MIB.ifName	ifXEntry	ifName	DisplayString	SNMP	read-only
IF-MIB.ifType	ifEntry	ifType	IANAifType	SNMP	read-only

cwDs3LineDown Class

Table A-413 cwDs3LineDown Class Attributes

Name	Module	Object	Type	Section	Access
ENTITY-MIB.entPhysicalContainedIn	entPhysicalEntry	entPhysicalContainedIn	INTEGER	SNMP	read-only
ENTITY-MIB.entPhysicalDescr	entPhysicalEntry	entPhysicalDescr	SnmpAdminString	SNMP	read-only
ENTITY-MIB.entPhysicalParentRelPos	entPhysicalEntry	entPhysicalParentRelPos	INTEGER	SNMP	read-only
ENTITY-MIB.entPhysicalVendorType	entPhysicalEntry	entPhysicalVendorType	AutonomousType	SNMP	read-only
IF-MIB.ifIndex	ifEntry	ifIndex	InterfaceIndex	SNMP, LocalDB	read-only
IF-MIB.ifName	ifXEntry	ifName	DisplayString	SNMP	read-only
IF-MIB.ifType	ifEntry	ifType	IANAifType	SNMP	read-only

cwDs3LineConfigChange Class

Table A-414 cwDs3LineConfigChange Class Attributes

Name	Module	Object	Type	Section	Access
ENTITY-MIB.entPhysicalContainedIn	entPhysicalEntry	entPhysicalContainedIn	INTEGER	SNMP	read-only
ENTITY-MIB.entPhysicalDescr	entPhysicalEntry	entPhysicalDescr	SnmpAdminString	SNMP	read-only

Table A-414 cwDs3LineConfigChange Class Attributes (continued)

ENTITY-MIB.entPhysicalParentRelPos	entPhysicalEntry	entPhysicalParentRelPos	INTEGER	SNMP	read-only
ENTITY-MIB.entPhysicalVendorType	entPhysicalEntry	entPhysicalVendorType	AutonomousType	SNMP	read-only
IF-MIB.ifIndex	ifEntry	ifIndex	InterfaceIndex	SNMP, LocalDB	read-only
IF-MIB.ifName	ifXEntry	ifName	DisplayString	SNMP	read-only
IF-MIB.ifType	ifEntry	ifType	IANAifType	SNMP	read-only

cwDs3LineInAlarm Class

Table A-415 cwDs3LineInAlarm Class Attributes

Name	Module	Object	Type	Section	Access
DS3-MIB.dsx3Ds1ForRemoteLoop	dsx3ConfigEntry	dsx3Ds1ForRemoteLoop	INTEGER	SNMP	read-write
DS3-MIB.dsx3LineStatus	dsx3ConfigEntry	dsx3LineStatus	INTEGER	SNMP	read-only
DS3-MIB.dsx3SendCode	dsx3ConfigEntry	dsx3SendCode	INTEGER	SNMP	read-write
ENTITY-MIB.entPhysicalContainedIn	entPhysicalEntry	entPhysicalContainedIn	INTEGER	SNMP	read-only
ENTITY-MIB.entPhysicalDescr	entPhysicalEntry	entPhysicalDescr	SnmpAdminString	SNMP	read-only
ENTITY-MIB.entPhysicalParentRelPos	entPhysicalEntry	entPhysicalParentRelPos	INTEGER	SNMP	read-only
ENTITY-MIB.entPhysicalVendorType	entPhysicalEntry	entPhysicalVendorType	AutonomousType	SNMP	read-only
IF-MIB.ifIndex	ifEntry	ifIndex	InterfaceIndex	SNMP, LocalDB	read-only
IF-MIB.ifName	ifXEntry	ifName	DisplayString	SNMP	read-only
IF-MIB.ifType	ifEntry	ifType	IANAifType	SNMP	read-only

cwDs3LineNoAlarm Class

Table A-416 cwDs3LineNoAlarm Class Attributes

Name	Module	Object	Type	Section	Access
DS3-MIB.dsx3Ds1ForRemoteLoop	dsx3ConfigEntry	dsx3Ds1ForRemoteLoop	INTEGER	SNMP	read-write
DS3-MIB.dsx3LineStatus	dsx3ConfigEntry	dsx3LineStatus	INTEGER	SNMP	read-only
DS3-MIB.dsx3SendCode	dsx3ConfigEntry	dsx3SendCode	INTEGER	SNMP	read-write
ENTITY-MIB.entPhysicalContainedIn	entPhysicalEntry	entPhysicalContainedIn	INTEGER	SNMP	read-only
ENTITY-MIB.entPhysicalDescr	entPhysicalEntry	entPhysicalDescr	SnmpAdminString	SNMP	read-only
ENTITY-MIB.entPhysicalParentRelPos	entPhysicalEntry	entPhysicalParentRelPos	INTEGER	SNMP	read-only
ENTITY-MIB.entPhysicalVendorType	entPhysicalEntry	entPhysicalVendorType	AutonomousType	SNMP	read-only
IF-MIB.ifIndex	ifEntry	ifIndex	InterfaceIndex	SNMP, LocalDB	read-only
IF-MIB.ifName	ifXEntry	ifName	DisplayString	SNMP	read-only
IF-MIB.ifType	ifEntry	ifType	IANAifType	SNMP	read-only

cwDs3LineLpbkEnable Class

Table A-417 cwDs3LineLpbkEnable Class Attributes

Name	Module	Object	Type	Section	Access
ENTITY-MIB.entPhysicalContainedIn	entPhysicalEntry	entPhysicalContainedIn	INTEGER	SNMP	read-only
ENTITY-MIB.entPhysicalDescr	entPhysicalEntry	entPhysicalDescr	SnmpAdminString	SNMP	read-only
ENTITY-MIB.entPhysicalParentRelPos	entPhysicalEntry	entPhysicalParentRelPos	INTEGER	SNMP	read-only
ENTITY-MIB.entPhysicalVendorType	entPhysicalEntry	entPhysicalVendorType	AutonomousType	SNMP	read-only
IF-MIB.ifIndex	ifEntry	ifIndex	InterfaceIndex	SNMP, LocalDB	read-only
IF-MIB.ifName	ifXEntry	ifName	DisplayString	SNMP	read-only
IF-MIB.ifType	ifEntry	ifType	IANAifType	SNMP	read-only

cwDs3LineLpbkDisable Class

Table A-418 cwDs3LineLpbkDisable Class Attributes

Name	Module	Object	Type	Section	Access
ENTITY-MIB.entPhysicalContainedIn	entPhysicalEntry	entPhysicalContainedIn	INTEGER	SNMP	read-only
ENTITY-MIB.entPhysicalDescr	entPhysicalEntry	entPhysicalDescr	SnmpAdminString	SNMP	read-only
ENTITY-MIB.entPhysicalParentRelPos	entPhysicalEntry	entPhysicalParentRelPos	INTEGER	SNMP	read-only
ENTITY-MIB.entPhysicalVendorType	entPhysicalEntry	entPhysicalVendorType	AutonomousType	SNMP	read-only
IF-MIB.ifIndex	ifEntry	ifIndex	InterfaceIndex	SNMP, LocalDB	read-only
IF-MIB.ifName	ifXEntry	ifName	DisplayString	SNMP	read-only
IF-MIB.ifType	ifEntry	ifType	IANAifType	SNMP	read-only

cwDs3StatAlarm Class

Table A-419 cwDs3StatAlarm Class Attributes

Name	Module	Object	Type	Section	Access
CISCO-DS3-MIB.cds3LineStatisticalAlarmState	cds3AlarmConfigEntry	cds3LineStatisticalAlarmState	Unsigned32	SNMP	read-only
CISCO-DS3-MIB.cds3PlcpLineAlarmState	cds3AlarmPlcpEntry	cds3PlcpLineAlarmState	Unsigned32	SNMP	read-only
CISCO-DS3-MIB.cds3PlcpLineStatisticalAlarmState	cds3AlarmPlcpEntry	cds3PlcpLineStatisticalAlarmState	Unsigned32	SNMP	read-only
ENTITY-MIB.entPhysicalContainedIn	entPhysicalEntry	entPhysicalContainedIn	INTEGER	SNMP	read-only
ENTITY-MIB.entPhysicalDescr	entPhysicalEntry	entPhysicalDescr	SnmpAdminString	SNMP	read-only
ENTITY-MIB.entPhysicalParentRelPos	entPhysicalEntry	entPhysicalParentRelPos	INTEGER	SNMP	read-only
ENTITY-MIB.entPhysicalVendorType	entPhysicalEntry	entPhysicalVendorType	AutonomousType	SNMP	read-only
IF-MIB.ifIndex	ifEntry	ifIndex	InterfaceIndex	SNMP, LocalDB	read-only

Table A-419 cwDs3StatAlarm Class Attributes (continued)

IF-MIB.ifName	ifXEntry	ifName	DisplayString	SNMP	read-only
IF-MIB.ifType	ifEntry	ifType	IANAifType	SNMP	read-only

cwDs3PlcpInAlarm Class

Table A-420 cwDs3PlcpInAlarm Class Attributes

Name	Module	Object	Type	Section	Access
CISCO-DS3-MIB.cds3LineStatisticalAlarmState	cds3AlarmConfigEntry	cds3LineStatisticalAlarmState	Unsigned32	SNMP	read-only
CISCO-DS3-MIB.cds3PlcpLineAlarmState	cds3AlarmPlcpEntry	cds3PlcpLineAlarmState	Unsigned32	SNMP	read-only
CISCO-DS3-MIB.cds3PlcpLineStatisticalAlarmState	cds3AlarmPlcpEntry	cds3PlcpLineStatisticalAlarmState	Unsigned32	SNMP	read-only
ENTITY-MIB.entPhysicalContainedIn	entPhysicalEntry	entPhysicalContainedIn	INTEGER	SNMP	read-only
ENTITY-MIB.entPhysicalDescr	entPhysicalEntry	entPhysicalDescr	SnmpAdminString	SNMP	read-only
ENTITY-MIB.entPhysicalParentRelPos	entPhysicalEntry	entPhysicalParentRelPos	INTEGER	SNMP	read-only
ENTITY-MIB.entPhysicalVendorType	entPhysicalEntry	entPhysicalVendorType	AutonomousType	SNMP	read-only
IF-MIB.ifIndex	ifEntry	ifIndex	InterfaceIndex	SNMP, LocalDB	read-only
IF-MIB.ifName	ifXEntry	ifName	DisplayString	SNMP	read-only
IF-MIB.ifType	ifEntry	ifType	IANAifType	SNMP	read-only

cwDs3PlcpNoAlarm Class

Table A-421 cwDs3PlcpNoAlarm Class Attributes

Name	Module	Object	Type	Section	Access
CISCO-DS3-MIB.cds3LineStatisticalAlarmState	cds3AlarmConfigEntry	cds3LineStatisticalAlarmState	Unsigned32	SNMP	read-only
CISCO-DS3-MIB.cds3PlcpLineAlarmState	cds3AlarmPlcpEntry	cds3PlcpLineAlarmState	Unsigned32	SNMP	read-only

Table A-421 cwDs3PlcpNoAlarm Class Attributes (continued)

CISCO-DS3-MIB.cds3PlcpLineStatisticalAlarmState	cds3AlarmPlcpEntry	cds3PlcpLineStatisticalAlarmState	Unsigned32	SNMP	read-only
ENTITY-MIB.entPhysicalContainedIn	entPhysicalEntry	entPhysicalContainedIn	INTEGER	SNMP	read-only
ENTITY-MIB.entPhysicalDescr	entPhysicalEntry	entPhysicalDescr	SnmpAdminString	SNMP	read-only
ENTITY-MIB.entPhysicalParentRelPos	entPhysicalEntry	entPhysicalParentRelPos	INTEGER	SNMP	read-only
ENTITY-MIB.entPhysicalVendorType	entPhysicalEntry	entPhysicalVendorType	AutonomousType	SNMP	read-only
IF-MIB.ifIndex	ifEntry	ifIndex	InterfaceIndex	SNMP, LocalDB	read-only
IF-MIB.ifName	ifXEntry	ifName	DisplayString	SNMP	read-only
IF-MIB.ifType	ifEntry	ifType	IANAifType	SNMP	read-only

cwDs3PlcpStatInAlarm Class

Table A-422 cwDs3PlcpStatInAlarm Class Attributes

Name	Module	Object	Type	Section	Access
CISCO-DS3-MIB.cds3LineStatisticalAlarmState	cds3AlarmConfigEntry	cds3LineStatisticalAlarmState	Unsigned32	SNMP	read-only
CISCO-DS3-MIB.cds3PlcpLineAlarmState	cds3AlarmPlcpEntry	cds3PlcpLineAlarmState	Unsigned32	SNMP	read-only
CISCO-DS3-MIB.cds3PlcpLineStatisticalAlarmState	cds3AlarmPlcpEntry	cds3PlcpLineStatisticalAlarmState	Unsigned32	SNMP	read-only
ENTITY-MIB.entPhysicalContainedIn	entPhysicalEntry	entPhysicalContainedIn	INTEGER	SNMP	read-only
ENTITY-MIB.entPhysicalDescr	entPhysicalEntry	entPhysicalDescr	SnmpAdminString	SNMP	read-only
ENTITY-MIB.entPhysicalParentRelPos	entPhysicalEntry	entPhysicalParentRelPos	INTEGER	SNMP	read-only
ENTITY-MIB.entPhysicalVendorType	entPhysicalEntry	entPhysicalVendorType	AutonomousType	SNMP	read-only
IF-MIB.ifIndex	ifEntry	ifIndex	InterfaceIndex	SNMP, LocalDB	read-only
IF-MIB.ifName	ifXEntry	ifName	DisplayString	SNMP	read-only
IF-MIB.ifType	ifEntry	ifType	IANAifType	SNMP	read-only

cwDs3FELineLpbkEnable Class

Table A-423 cwDs3FELineLpbkEnable Class Attributes

Name	Module	Object	Type	Section	Access
ENTITY-MIB.entPhysicalContainedIn	entPhysicalEntry	entPhysicalContainedIn	INTEGER	SNMP	read-only
ENTITY-MIB.entPhysicalDescr	entPhysicalEntry	entPhysicalDescr	SnmpAdminString	SNMP	read-only
ENTITY-MIB.entPhysicalParentRelPos	entPhysicalEntry	entPhysicalParentRelPos	INTEGER	SNMP	read-only
ENTITY-MIB.entPhysicalVendorType	entPhysicalEntry	entPhysicalVendorType	AutonomousType	SNMP	read-only
IF-MIB.ifIndex	ifEntry	ifIndex	InterfaceIndex	SNMP, LocalDB	read-only
IF-MIB.ifName	ifXEntry	ifName	DisplayString	SNMP	read-only
IF-MIB.ifType	ifEntry	ifType	IANAifType	SNMP	read-only

cwDs3FELineLpbkDisable Class

Table A-424 cwDs3FELineLpbkDisable Class Attributes

Name	Module	Object	Type	Section	Access
ENTITY-MIB.entPhysicalContainedIn	entPhysicalEntry	entPhysicalContainedIn	INTEGER	SNMP	read-only
ENTITY-MIB.entPhysicalDescr	entPhysicalEntry	entPhysicalDescr	SnmpAdminString	SNMP	read-only
ENTITY-MIB.entPhysicalParentRelPos	entPhysicalEntry	entPhysicalParentRelPos	INTEGER	SNMP	read-only
ENTITY-MIB.entPhysicalVendorType	entPhysicalEntry	entPhysicalVendorType	AutonomousType	SNMP	read-only
IF-MIB.ifIndex	ifEntry	ifIndex	InterfaceIndex	SNMP, LocalDB	read-only
IF-MIB.ifName	ifXEntry	ifName	DisplayString	SNMP	read-only
IF-MIB.ifType	ifEntry	ifType	IANAifType	SNMP	read-only

cwDs3LossOfClockSource Class

Table A-425 cwDs3LossOfClockSource Class Attributes

Name	Module	Object	Type	Section	Access
ENTITY-MIB.entPhysicalContainedIn	entPhysicalEntry	entPhysicalContainedIn	INTEGER	SNMP	read-only
ENTITY-MIB.entPhysicalDescr	entPhysicalEntry	entPhysicalDescr	SnmpAdminString	SNMP	read-only
ENTITY-MIB.entPhysicalParentRelPos	entPhysicalEntry	entPhysicalParentRelPos	INTEGER	SNMP	read-only
ENTITY-MIB.entPhysicalVendorType	entPhysicalEntry	entPhysicalVendorType	AutonomousType	SNMP	read-only
IF-MIB.ifIndex	ifEntry	ifIndex	InterfaceIndex	SNMP, LocalDB	read-only
IF-MIB.ifName	ifXEntry	ifName	DisplayString	SNMP	read-only
IF-MIB.ifType	ifEntry	ifType	IANAifType	SNMP	read-only

cwDs1LineUp Class

Table A-426 cwDs1LineUp Class Attributes

Name	Module	Object	Type	Section	Access
ENTITY-MIB.entPhysicalContainedIn	entPhysicalEntry	entPhysicalContainedIn	INTEGER	SNMP	read-only
ENTITY-MIB.entPhysicalDescr	entPhysicalEntry	entPhysicalDescr	SnmpAdminString	SNMP	read-only
ENTITY-MIB.entPhysicalParentRelPos	entPhysicalEntry	entPhysicalParentRelPos	INTEGER	SNMP	read-only
ENTITY-MIB.entPhysicalVendorType	entPhysicalEntry	entPhysicalVendorType	AutonomousType	SNMP	read-only
IF-MIB.ifIndex	ifEntry	ifIndex	InterfaceIndex	SNMP, LocalDB	read-only
IF-MIB.ifName	ifXEntry	ifName	DisplayString	SNMP	read-only
IF-MIB.ifType	ifEntry	ifType	IANAifType	SNMP	read-only

cwDs1LineDown Class

Table A-427 cwDs1LineDown Class Attributes

Name	Module	Object	Type	Section	Access
ENTITY-MIB.entPhysicalContainedIn	entPhysicalEntry	entPhysicalContainedIn	INTEGER	SNMP	read-only
ENTITY-MIB.entPhysicalDescr	entPhysicalEntry	entPhysicalDescr	SnmpAdminString	SNMP	read-only
ENTITY-MIB.entPhysicalParentRelPos	entPhysicalEntry	entPhysicalParentRelPos	INTEGER	SNMP	read-only
ENTITY-MIB.entPhysicalVendorType	entPhysicalEntry	entPhysicalVendorType	AutonomousType	SNMP	read-only
IF-MIB.ifIndex	ifEntry	ifIndex	InterfaceIndex	SNMP, LocalDB	read-only
IF-MIB.ifName	ifXEntry	ifName	DisplayString	SNMP	read-only
IF-MIB.ifType	ifEntry	ifType	IANAifType	SNMP	read-only

cwDs1LineConfigChange Class

Table A-428 cwDs1LineConfigChange Class Attributes

Name	Module	Object	Type	Section	Access
ENTITY-MIB.entPhysicalContainedIn	entPhysicalEntry	entPhysicalContainedIn	INTEGER	SNMP	read-only
ENTITY-MIB.entPhysicalDescr	entPhysicalEntry	entPhysicalDescr	SnmpAdminString	SNMP	read-only
ENTITY-MIB.entPhysicalParentRelPos	entPhysicalEntry	entPhysicalParentRelPos	INTEGER	SNMP	read-only
ENTITY-MIB.entPhysicalVendorType	entPhysicalEntry	entPhysicalVendorType	AutonomousType	SNMP	read-only
IF-MIB.ifIndex	ifEntry	ifIndex	InterfaceIndex	SNMP, LocalDB	read-only
IF-MIB.ifName	ifXEntry	ifName	DisplayString	SNMP	read-only
IF-MIB.ifType	ifEntry	ifType	IANAifType	SNMP	read-only

cwDs1LineInAlarm Class

Table A-429 cwDs1LineInAlarm Class Attributes

Name	Module	Object	Type	Section	Access
DS1-MIB.dsx1LineStatus	dsx1ConfigEntry	dsx1LineStatus	INTEGER	SNMP	read-only
DS1-MIB.dsx1LoopbackConfig	dsx1ConfigEntry	dsx1LoopbackConfig	INTEGER	SNMP	read-write
ENTITY-MIB.entPhysicalContainedIn	entPhysicalEntry	entPhysicalContainedIn	INTEGER	SNMP	read-only
ENTITY-MIB.entPhysicalDescr	entPhysicalEntry	entPhysicalDescr	SnmpAdminString	SNMP	read-only
ENTITY-MIB.entPhysicalParentRelPos	entPhysicalEntry	entPhysicalParentRelPos	INTEGER	SNMP	read-only
ENTITY-MIB.entPhysicalVendorType	entPhysicalEntry	entPhysicalVendorType	AutonomousType	SNMP	read-only
IF-MIB.ifIndex	ifEntry	ifIndex	InterfaceIndex	SNMP, LocalDB	read-only
IF-MIB.ifName	ifXEntry	ifName	DisplayString	SNMP	read-only
IF-MIB.ifType	ifEntry	ifType	IANAifType	SNMP	read-only

cwDs1LineNoAlarm Class

Table A-430 cwDs1LineNoAlarm Class Attributes

Name	Module	Object	Type	Section	Access
ENTITY-MIB.entPhysicalContainedIn	entPhysicalEntry	entPhysicalContainedIn	INTEGER	SNMP	read-only
ENTITY-MIB.entPhysicalDescr	entPhysicalEntry	entPhysicalDescr	SnmpAdminString	SNMP	read-only
ENTITY-MIB.entPhysicalParentRelPos	entPhysicalEntry	entPhysicalParentRelPos	INTEGER	SNMP	read-only
ENTITY-MIB.entPhysicalVendorType	entPhysicalEntry	entPhysicalVendorType	AutonomousType	SNMP	read-only
IF-MIB.ifIndex	ifEntry	ifIndex	InterfaceIndex	SNMP, LocalDB	read-only
IF-MIB.ifName	ifXEntry	ifName	DisplayString	SNMP	read-only
IF-MIB.ifType	ifEntry	ifType	IANAifType	SNMP	read-only

cwDs1NELineLpbkEnable Class

Table A-431 cwDs1NELineLpbkEnable Class Attributes

Name	Module	Object	Type	Section	Access
DS1-MIB.dsx1LineStatus	dsx1ConfigEntry	dsx1LineStatus	INTEGER	SNMP	read-only
DS1-MIB.dsx1LoopbackConfig	dsx1ConfigEntry	dsx1LoopbackConfig	INTEGER	SNMP	read-write
ENTITY-MIB.entPhysicalContainedIn	entPhysicalEntry	entPhysicalContainedIn	INTEGER	SNMP	read-only
ENTITY-MIB.entPhysicalDescr	entPhysicalEntry	entPhysicalDescr	SnmAdminString	SNMP	read-only
ENTITY-MIB.entPhysicalParentRelPos	entPhysicalEntry	entPhysicalParentRelPos	INTEGER	SNMP	read-only
ENTITY-MIB.entPhysicalVendorType	entPhysicalEntry	entPhysicalVendorType	AutonomousType	SNMP	read-only
IF-MIB.ifIndex	ifEntry	ifIndex	InterfaceIndex	SNMP, LocalDB	read-only
IF-MIB.ifName	ifXEntry	ifName	DisplayString	SNMP	read-only
IF-MIB.ifType	ifEntry	ifType	IANAifType	SNMP	read-only

cwDs1NELineLpbkDisable Class

Table A-432 cwDs1NELineLpbkDisable Class Attributes

Name	Module	Object	Type	Section	Access
ENTITY-MIB.entPhysicalContainedIn	entPhysicalEntry	entPhysicalContainedIn	INTEGER	SNMP	read-only
ENTITY-MIB.entPhysicalDescr	entPhysicalEntry	entPhysicalDescr	SnmAdminString	SNMP	read-only
ENTITY-MIB.entPhysicalParentRelPos	entPhysicalEntry	entPhysicalParentRelPos	INTEGER	SNMP	read-only
ENTITY-MIB.entPhysicalVendorType	entPhysicalEntry	entPhysicalVendorType	AutonomousType	SNMP	read-only
IF-MIB.ifIndex	ifEntry	ifIndex	InterfaceIndex	SNMP, LocalDB	read-only
IF-MIB.ifName	ifXEntry	ifName	DisplayString	SNMP	read-only
IF-MIB.ifType	ifEntry	ifType	IANAifType	SNMP	read-only

cwDs1FELineLpbkEnable Class

Table A-433 cwDs1FELineLpbkEnable Class Attributes

Name	Module	Object	Type	Section	Access
ENTITY-MIB.entPhysicalContainedIn	entPhysicalEntry	entPhysicalContainedIn	INTEGER	SNMP	read-only
ENTITY-MIB.entPhysicalDescr	entPhysicalEntry	entPhysicalDescr	SnmpAdminString	SNMP	read-only
ENTITY-MIB.entPhysicalParentRelPos	entPhysicalEntry	entPhysicalParentRelPos	INTEGER	SNMP	read-only
ENTITY-MIB.entPhysicalVendorType	entPhysicalEntry	entPhysicalVendorType	AutonomousType	SNMP	read-only
IF-MIB.ifIndex	ifEntry	ifIndex	InterfaceIndex	SNMP, LocalDB	read-only
IF-MIB.ifName	ifXEntry	ifName	DisplayString	SNMP	read-only
IF-MIB.ifType	ifEntry	ifType	IANAifType	SNMP	read-only

cwDs1FELineLpbkDisable Class

Table A-434 cwDs1FELineLpbkDisable Class Attributes

Name	Module	Object	Type	Section	Access
ENTITY-MIB.entPhysicalContainedIn	entPhysicalEntry	entPhysicalContainedIn	INTEGER	SNMP	read-only
ENTITY-MIB.entPhysicalDescr	entPhysicalEntry	entPhysicalDescr	SnmpAdminString	SNMP	read-only
ENTITY-MIB.entPhysicalParentRelPos	entPhysicalEntry	entPhysicalParentRelPos	INTEGER	SNMP	read-only
ENTITY-MIB.entPhysicalVendorType	entPhysicalEntry	entPhysicalVendorType	AutonomousType	SNMP	read-only
IF-MIB.ifIndex	ifEntry	ifIndex	InterfaceIndex	SNMP, LocalDB	read-only
IF-MIB.ifName	ifXEntry	ifName	DisplayString	SNMP	read-only
IF-MIB.ifType	ifEntry	ifType	IANAifType	SNMP	read-only

cwAtmIfAdd Class

Table A-435 cwAtmIfAdd Class Attributes

Name	Module	Object	Type	Section	Access
CISCO-ATM-VIRTUAL-IF-MIB.caviFileId	caviEntry	caviFileId	Unsigned32	SNMP	read-create
ENTITY-MIB.entPhysicalContainedIn	entPhysicalEntry	entPhysicalContainedIn	INTEGER	SNMP	read-only
ENTITY-MIB.entPhysicalDescr	entPhysicalEntry	entPhysicalDescr	SnmpAdminString	SNMP	read-only
ENTITY-MIB.entPhysicalParentRelPos	entPhysicalEntry	entPhysicalParentRelPos	INTEGER	SNMP	read-only
ENTITY-MIB.entPhysicalVendorType	entPhysicalEntry	entPhysicalVendorType	AutonomousType	SNMP	read-only
IF-MIB.ifIndex	ifEntry	ifIndex	InterfaceIndex	SNMP, LocalDB	read-only
IF-MIB.ifName	ifXEntry	ifName	DisplayString	SNMP	read-only
IF-MIB.ifType	ifEntry	ifType	IANAifType	SNMP	read-only

cwAtmIfDelete Class

Table A-436 cwAtmIfDelete Class Attributes

Name	Module	Object	Type	Section	Access
ENTITY-MIB.entPhysicalContainedIn	entPhysicalEntry	entPhysicalContainedIn	INTEGER	SNMP	read-only
ENTITY-MIB.entPhysicalDescr	entPhysicalEntry	entPhysicalDescr	SnmpAdminString	SNMP	read-only
ENTITY-MIB.entPhysicalParentRelPos	entPhysicalEntry	entPhysicalParentRelPos	INTEGER	SNMP	read-only
ENTITY-MIB.entPhysicalVendorType	entPhysicalEntry	entPhysicalVendorType	AutonomousType	SNMP	read-only
IF-MIB.ifIndex	ifEntry	ifIndex	InterfaceIndex	SNMP, LocalDB	read-only
IF-MIB.ifName	ifXEntry	ifName	DisplayString	SNMP	read-only
IF-MIB.ifType	ifEntry	ifType	IANAifType	SNMP	read-only

cwAtmIfUp Class

Table A-437 cwAtmIfUp Class Attributes

Name	Module	Object	Type	Section	Access
ENTITY-MIB.entPhysicalContainedIn	entPhysicalEntry	entPhysicalContainedIn	INTEGER	SNMP	read-only
ENTITY-MIB.entPhysicalDescr	entPhysicalEntry	entPhysicalDescr	SnmpAdminString	SNMP	read-only
ENTITY-MIB.entPhysicalParentRelPos	entPhysicalEntry	entPhysicalParentRelPos	INTEGER	SNMP	read-only
ENTITY-MIB.entPhysicalVendorType	entPhysicalEntry	entPhysicalVendorType	AutonomousType	SNMP	read-only
IF-MIB.ifIndex	ifEntry	ifIndex	InterfaceIndex	SNMP, LocalDB	read-only
IF-MIB.ifName	ifXEntry	ifName	DisplayString	SNMP	read-only
IF-MIB.ifType	ifEntry	ifType	IANAifType	SNMP	read-only

cwAtmIfDown Class

Table A-438 cwAtmIfDown Class Attributes

Name	Module	Object	Type	Section	Access
ENTITY-MIB.entPhysicalContainedIn	entPhysicalEntry	entPhysicalContainedIn	INTEGER	SNMP	read-only
ENTITY-MIB.entPhysicalDescr	entPhysicalEntry	entPhysicalDescr	SnmpAdminString	SNMP	read-only
ENTITY-MIB.entPhysicalParentRelPos	entPhysicalEntry	entPhysicalParentRelPos	INTEGER	SNMP	read-only
ENTITY-MIB.entPhysicalVendorType	entPhysicalEntry	entPhysicalVendorType	AutonomousType	SNMP	read-only
IF-MIB.ifIndex	ifEntry	ifIndex	InterfaceIndex	SNMP, LocalDB	read-only
IF-MIB.ifName	ifXEntry	ifName	DisplayString	SNMP	read-only
IF-MIB.ifType	ifEntry	ifType	IANAifType	SNMP	read-only

cwAtmIfConfigChange Class

Table A-439 cwAtmIfConfigChange Class Attributes

Name	Module	Object	Type	Section	Access
ENTITY-MIB.entPhysicalContainedIn	entPhysicalEntry	entPhysicalContainedIn	INTEGER	SNMP	read-only
ENTITY-MIB.entPhysicalDescr	entPhysicalEntry	entPhysicalDescr	SnmpAdminString	SNMP	read-only
ENTITY-MIB.entPhysicalParentRelPos	entPhysicalEntry	entPhysicalParentRelPos	INTEGER	SNMP	read-only
ENTITY-MIB.entPhysicalVendorType	entPhysicalEntry	entPhysicalVendorType	AutonomousType	SNMP	read-only
IF-MIB.ifIndex	ifEntry	ifIndex	InterfaceIndex	SNMP, LocalDB	read-only
IF-MIB.ifName	ifXEntry	ifName	DisplayString	SNMP	read-only
IF-MIB.ifType	ifEntry	ifType	IANAifType	SNMP	read-only

cwAtmIfSctFileAlarm Class

Table A-440 cwAtmIfSctFileAlarm Class Attributes

Name	Module	Object	Type	Section	Access
CISCO-ATM-VIRTUAL-IF-MIB.caviFileId	caviEntry	caviFileId	Unsigned32	SNMP	read-create
ENTITY-MIB.entPhysicalContainedIn	entPhysicalEntry	entPhysicalContainedIn	INTEGER	SNMP	read-only
ENTITY-MIB.entPhysicalDescr	entPhysicalEntry	entPhysicalDescr	SnmpAdminString	SNMP	read-only
ENTITY-MIB.entPhysicalParentRelPos	entPhysicalEntry	entPhysicalParentRelPos	INTEGER	SNMP	read-only
ENTITY-MIB.entPhysicalVendorType	entPhysicalEntry	entPhysicalVendorType	AutonomousType	SNMP	read-only
IF-MIB.ifIndex	ifEntry	ifIndex	InterfaceIndex	SNMP, LocalDB	read-only
IF-MIB.ifName	ifXEntry	ifName	DisplayString	SNMP	read-only
IF-MIB.ifType	ifEntry	ifType	IANAifType	SNMP	read-only

cwAtmIfSctFileNoAlarm Class

Table A-441 cwAtmIfSctFileNoAlarm Class Attributes

Name	Module	Object	Type	Section	Access
ENTITY-MIB.entPhysicalContainedIn	entPhysicalEntry	entPhysicalContainedIn	INTEGER	SNMP	read-only
ENTITY-MIB.entPhysicalDescr	entPhysicalEntry	entPhysicalDescr	SnmpAdminString	SNMP	read-only
ENTITY-MIB.entPhysicalParentRelPos	entPhysicalEntry	entPhysicalParentRelPos	INTEGER	SNMP	read-only
ENTITY-MIB.entPhysicalVendorType	entPhysicalEntry	entPhysicalVendorType	AutonomousType	SNMP	read-only
IF-MIB.ifIndex	ifEntry	ifIndex	InterfaceIndex	SNMP, LocalDB	read-only
IF-MIB.ifName	ifXEntry	ifName	DisplayString	SNMP	read-only
IF-MIB.ifType	ifEntry	ifType	IANAifType	SNMP	read-only

cwCardIngSctFileAlarm Class

Table A-442 cwCardIngSctFileAlarm Class Attributes

Name	Module	Object	Type	Section	Access
CISCO-WAN-MODULE-MIB.cwmIngressSCTFileId	cwmConfigEntry	cwmIngressSCTFileId	Unsigned32	SNMP	read-write
ENTITY-MIB.entPhysicalContainedIn	entPhysicalEntry	entPhysicalContainedIn	INTEGER	SNMP	read-only
ENTITY-MIB.entPhysicalDescr	entPhysicalEntry	entPhysicalDescr	SnmpAdminString	SNMP	read-only
ENTITY-MIB.entPhysicalParentRelPos	entPhysicalEntry	entPhysicalParentRelPos	INTEGER	SNMP	read-only
ENTITY-MIB.entPhysicalVendorType	entPhysicalEntry	entPhysicalVendorType	AutonomousType	SNMP	read-only
IF-MIB.ifIndex	ifEntry	ifIndex	InterfaceIndex	SNMP, LocalDB	read-only
IF-MIB.ifName	ifXEntry	ifName	DisplayString	SNMP	read-only
IF-MIB.ifType	ifEntry	ifType	IANAifType	SNMP	read-only

cwCardIngSctFileNoAlarm Class

Table A-443 cwCardIngSctFileNoAlarm Class Attributes

Name	Module	Object	Type	Section	Access
CISCO-WAN-MODULE-MIB.cwmIngressSCTFileId	cwmConfigEntry	cwmIngressSCTFileId	Unsigned32	SNMP	read-write
ENTITY-MIB.entPhysicalContainedIn	entPhysicalEntry	entPhysicalContainedIn	INTEGER	SNMP	read-only
ENTITY-MIB.entPhysicalDescr	entPhysicalEntry	entPhysicalDescr	SnmpAdminString	SNMP	read-only
ENTITY-MIB.entPhysicalParentRelPos	entPhysicalEntry	entPhysicalParentRelPos	INTEGER	SNMP	read-only
ENTITY-MIB.entPhysicalVendorType	entPhysicalEntry	entPhysicalVendorType	AutonomousType	SNMP	read-only
IF-MIB.ifIndex	ifEntry	ifIndex	InterfaceIndex	SNMP, LocalDB	read-only
IF-MIB.ifName	ifXEntry	ifName	DisplayString	SNMP	read-only
IF-MIB.ifType	ifEntry	ifType	IANAifType	SNMP	read-only

cwCardIngSctFileIdChange Class

Table A-444 cwCardIngSctFileIdChange Class Attributes

Name	Module	Object	Type	Section	Access
CISCO-WAN-MODULE-MIB.cwmIngressSCTFileId	cwmConfigEntry	cwmIngressSCTFileId	Unsigned32	SNMP	read-write
ENTITY-MIB.entPhysicalContainedIn	entPhysicalEntry	entPhysicalContainedIn	INTEGER	SNMP	read-only
ENTITY-MIB.entPhysicalDescr	entPhysicalEntry	entPhysicalDescr	SnmpAdminString	SNMP	read-only
ENTITY-MIB.entPhysicalParentRelPos	entPhysicalEntry	entPhysicalParentRelPos	INTEGER	SNMP	read-only
ENTITY-MIB.entPhysicalVendorType	entPhysicalEntry	entPhysicalVendorType	AutonomousType	SNMP	read-only
IF-MIB.ifIndex	ifEntry	ifIndex	InterfaceIndex	SNMP, LocalDB	read-only
IF-MIB.ifName	ifXEntry	ifName	DisplayString	SNMP	read-only
IF-MIB.ifType	ifEntry	ifType	IANAifType	SNMP	read-only

cwAtmPhyInAlarm Class

Table A-445 cwAtmPhyInAlarm Class Attributes

Name	Module	Object	Type	Section	Access
ENTITY-MIB.entPhysicalContainedIn	entPhysicalEntry	entPhysicalContainedIn	INTEGER	SNMP	read-only
ENTITY-MIB.entPhysicalDescr	entPhysicalEntry	entPhysicalDescr	SnmpAdminString	SNMP	read-only
ENTITY-MIB.entPhysicalParentRelPos	entPhysicalEntry	entPhysicalParentRelPos	INTEGER	SNMP	read-only
ENTITY-MIB.entPhysicalVendorType	entPhysicalEntry	entPhysicalVendorType	AutonomousType	SNMP	read-only
IF-MIB.ifIndex	ifEntry	ifIndex	InterfaceIndex	SNMP, LocalDB	read-only
IF-MIB.ifName	ifXEntry	ifName	DisplayString	SNMP	read-only
IF-MIB.ifType	ifEntry	ifType	IANAifType	SNMP	read-only

cwAtmPhyNoAlarm Class

Table A-446 cwAtmPhyNoAlarm Class Attributes

Name	Module	Object	Type	Section	Access
ENTITY-MIB.entPhysicalContainedIn	entPhysicalEntry	entPhysicalContainedIn	INTEGER	SNMP	read-only
ENTITY-MIB.entPhysicalDescr	entPhysicalEntry	entPhysicalDescr	SnmpAdminString	SNMP	read-only
ENTITY-MIB.entPhysicalParentRelPos	entPhysicalEntry	entPhysicalParentRelPos	INTEGER	SNMP	read-only
ENTITY-MIB.entPhysicalVendorType	entPhysicalEntry	entPhysicalVendorType	AutonomousType	SNMP	read-only
IF-MIB.ifIndex	ifEntry	ifIndex	InterfaceIndex	SNMP, LocalDB	read-only
IF-MIB.ifName	ifXEntry	ifName	DisplayString	SNMP	read-only
IF-MIB.ifType	ifEntry	ifType	IANAifType	SNMP	read-only

cwAtmPhyConfigChange Class

Table A-447 cwAtmPhyConfigChange Class Attributes

Name	Module	Object	Type	Section	Access
ENTITY-MIB.entPhysicalContainedIn	entPhysicalEntry	entPhysicalContainedIn	INTEGER	SNMP	read-only
ENTITY-MIB.entPhysicalDescr	entPhysicalEntry	entPhysicalDescr	SnmpAdminString	SNMP	read-only
ENTITY-MIB.entPhysicalParentRelPos	entPhysicalEntry	entPhysicalParentRelPos	INTEGER	SNMP	read-only
ENTITY-MIB.entPhysicalVendorType	entPhysicalEntry	entPhysicalVendorType	AutonomousType	SNMP	read-only
IF-MIB.ifIndex	ifEntry	ifIndex	InterfaceIndex	SNMP, LocalDB	read-only
IF-MIB.ifName	ifXEntry	ifName	DisplayString	SNMP	read-only
IF-MIB.ifType	ifEntry	ifType	IANAifType	SNMP	read-only

cwRsrcPartAdd Class

Table A-448 cwRsrcPartAdd Class Attributes

Name	Module	Object	Type	Section	Access
CISCO-WAN-RSRC-PART-MIB.cwRsrcPartController	cwRsrcPartConfEntry	cwRsrcPartController	Unsigned32	SNMP	read-create
ENTITY-MIB.entPhysicalContainedIn	entPhysicalEntry	entPhysicalContainedIn	INTEGER	SNMP	read-only
ENTITY-MIB.entPhysicalDescr	entPhysicalEntry	entPhysicalDescr	SnmpAdminString	SNMP	read-only
ENTITY-MIB.entPhysicalParentRelPos	entPhysicalEntry	entPhysicalParentRelPos	INTEGER	SNMP	read-only
ENTITY-MIB.entPhysicalVendorType	entPhysicalEntry	entPhysicalVendorType	AutonomousType	SNMP	read-only
IF-MIB.ifIndex	ifEntry	ifIndex	InterfaceIndex	SNMP, LocalDB	read-only
IF-MIB.ifName	ifXEntry	ifName	DisplayString	SNMP	read-only
IF-MIB.ifType	ifEntry	ifType	IANAifType	SNMP	read-only

cwRsrcPartDelete Class

Table A-449 cwRsrcPartDelete Class Attributes

Name	Module	Object	Type	Section	Access
CISCO-WAN-RSRC-PART-MIB. cwRsrcPartController	cwRsrcPartConfEntry	cwRsrcPartController	Unsigned32	SNMP	read-create
ENTITY-MIB.entPhysicalContainedIn	entPhysicalEntry	entPhysicalContainedIn	INTEGER	SNMP	read-only
ENTITY-MIB.entPhysicalDescr	entPhysicalEntry	entPhysicalDescr	SnmpAdminString	SNMP	read-only
ENTITY-MIB.entPhysicalParentRelPos	entPhysicalEntry	entPhysicalParentRelPos	INTEGER	SNMP	read-only
ENTITY-MIB.entPhysicalVendorType	entPhysicalEntry	entPhysicalVendorType	AutonomousType	SNMP	read-only
IF-MIB.ifIndex	ifEntry	ifIndex	InterfaceIndex	SNMP, LocalDB	read-only
IF-MIB.ifName	ifXEntry	ifName	DisplayString	SNMP	read-only
IF-MIB.ifType	ifEntry	ifType	IANAifType	SNMP	read-only

cwRsrcPartConfigChange Class

Table A-450 cwRsrcPartConfigChange Class Attributes

Name	Module	Object	Type	Section	Access
CISCO-WAN-RSRC-PART-MIB. cwRsrcPartController	cwRsrcPartConfEntry	cwRsrcPartController	Unsigned32	SNMP	read-create
ENTITY-MIB.entPhysicalContainedIn	entPhysicalEntry	entPhysicalContainedIn	INTEGER	SNMP	read-only
ENTITY-MIB.entPhysicalDescr	entPhysicalEntry	entPhysicalDescr	SnmpAdminString	SNMP	read-only
ENTITY-MIB.entPhysicalParentRelPos	entPhysicalEntry	entPhysicalParentRelPos	INTEGER	SNMP	read-only
ENTITY-MIB.entPhysicalVendorType	entPhysicalEntry	entPhysicalVendorType	AutonomousType	SNMP	read-only
IF-MIB.ifIndex	ifEntry	ifIndex	InterfaceIndex	SNMP, LocalDB	read-only
IF-MIB.ifName	ifXEntry	ifName	DisplayString	SNMP	read-only
IF-MIB.ifType	ifEntry	ifType	IANAifType	SNMP	read-only

cwFeederAdded Class

Table A-451 cwFeederAdded Class Attributes

Name	Module	Object	Type	Section	Access
CISCO-WAN-TRAP-VARS-MIB .cwTrapCardRole	cwTrapVars	cwTrapCardRole	INTEGER	SNMP	read-only
CISCO-WAN-TRAP-VARS-MIB .cwTrapDisplayString	cwTrapVars	cwTrapDisplayString	DisplayString	SNMP	read-only
CISCO-WAN-TRAP-VARS-MIB .cwTrapIndex	cwTrapVars	cwTrapIndex	Integer32	SNMP	read-only
CISCO-WAN-TRAP-VARS-MIB .cwTrapLineModuleNumber	cwTrapVars	cwTrapLineModuleNumber	Integer32	SNMP	read-only
CISCO-WAN-TRAP-VARS-MIB .cwTrapOctetString	cwTrapVars	cwTrapOctetString	OCTET	SNMP	read-only
CISCO-WAN-TRAP-VARS-MIB .cwTrapPhysicalContainer	cwTrapVars	cwTrapPhysicalContainer	INTEGER	SNMP	read-only
CISCO-WAN-TRAP-VARS-MIB .cwTrapPhysicalUnit	cwTrapVars	cwTrapPhysicalUnit	INTEGER	SNMP	read-only
CISCO-WAN-TRAP-VARS-MIB .cwTrapPhysicalVendorType	cwTrapVars	cwTrapPhysicalVendorType	AutonomousType	SNMP	read-only
CISCO-WAN-TRAP-VARS-MIB .cwTrapSctCardType	cwTrapVars	cwTrapSctCardType	INTEGER	SNMP	read-only
CISCO-WAN-TRAP-VARS-MIB .cwTrapSctId	cwTrapVars	cwTrapSctId	Unsigned32	SNMP	read-only
CISCO-WAN-TRAP-VARS-MIB .cwTrapSctMajorVersion	cwTrapVars	cwTrapSctMajorVersion	Unsigned32	SNMP	read-only
CISCO-WAN-TRAP-VARS-MIB .cwTrapSctType	cwTrapVars	cwTrapSctType	INTEGER	SNMP	read-only
CISCO-WAN-TRAP-VARS-MIB .cwTrapSlotNumber	cwTrapVars	cwTrapSlotNumber	Integer32	SNMP	read-only
ENTITY-MIB.entPhysicalContainedIn	entPhysicalEntry	entPhysicalContainedIn	INTEGER	SNMP	read-only
ENTITY-MIB.entPhysicalDescr	entPhysicalEntry	entPhysicalDescr	SnmpAdminString	SNMP	read-only
ENTITY-MIB.entPhysicalParentRelPos	entPhysicalEntry	entPhysicalParentRelPos	INTEGER	SNMP	read-only
ENTITY-MIB.entPhysicalVendorType	entPhysicalEntry	entPhysicalVendorType	AutonomousType	SNMP	read-only

cwFeederDeleted Class

Table A-452 cwFeederDeleted Class Attributes

Name	Module	Object	Type	Section	Access
CISCO-WAN-TRAP-VARS-MIB .cwTrapCardRole	cwTrapVars	cwTrapCardRole	INTEGER	SNMP	read-only
CISCO-WAN-TRAP-VARS-MIB .cwTrapDisplayString	cwTrapVars	cwTrapDisplayString	DisplayString	SNMP	read-only
CISCO-WAN-TRAP-VARS-MIB .cwTrapIndex	cwTrapVars	cwTrapIndex	Integer32	SNMP	read-only
CISCO-WAN-TRAP-VARS-MIB .cwTrapLineModuleNumber	cwTrapVars	cwTrapLineModuleNumber	Integer32	SNMP	read-only
CISCO-WAN-TRAP-VARS-MIB .cwTrapOctetString	cwTrapVars	cwTrapOctetString	OCTET	SNMP	read-only
CISCO-WAN-TRAP-VARS-MIB .cwTrapPhysicalContainer	cwTrapVars	cwTrapPhysicalContainer	INTEGER	SNMP	read-only
CISCO-WAN-TRAP-VARS-MIB .cwTrapPhysicalUnit	cwTrapVars	cwTrapPhysicalUnit	INTEGER	SNMP	read-only
CISCO-WAN-TRAP-VARS-MIB .cwTrapPhysicalVendorType	cwTrapVars	cwTrapPhysicalVendorType	AutonomousType	SNMP	read-only
CISCO-WAN-TRAP-VARS-MIB .cwTrapSctCardType	cwTrapVars	cwTrapSctCardType	INTEGER	SNMP	read-only
CISCO-WAN-TRAP-VARS-MIB .cwTrapSctId	cwTrapVars	cwTrapSctId	Unsigned32	SNMP	read-only
CISCO-WAN-TRAP-VARS-MIB .cwTrapSctMajorVersion	cwTrapVars	cwTrapSctMajorVersion	Unsigned32	SNMP	read-only
CISCO-WAN-TRAP-VARS-MIB .cwTrapSctType	cwTrapVars	cwTrapSctType	INTEGER	SNMP	read-only
CISCO-WAN-TRAP-VARS-MIB .cwTrapSlotNumber	cwTrapVars	cwTrapSlotNumber	Integer32	SNMP	read-only
ENTITY-MIB.entPhysicalContainedIn	entPhysicalEntry	entPhysicalContainedIn	INTEGER	SNMP	read-only
ENTITY-MIB.entPhysicalDescription	entPhysicalEntry	entPhysicalDescription	SnmpAdminString	SNMP	read-only
ENTITY-MIB.entPhysicalParentRelPos	entPhysicalEntry	entPhysicalParentRelPos	INTEGER	SNMP	read-only
ENTITY-MIB.entPhysicalVendorType	entPhysicalEntry	entPhysicalVendorType	AutonomousType	SNMP	read-only

cwFeederLMIUp Class

Table A-453 cwFeederLMIUp Class Attributes

Name	Module	Object	Type	Section	Access
CISCO-WAN-TRAP-VARS-MIB .cwTrapCardRole	cwTrapVars	cwTrapCardRole	INTEGER	SNMP	read-only
CISCO-WAN-TRAP-VARS-MIB .cwTrapDisplayString	cwTrapVars	cwTrapDisplayString	DisplayString	SNMP	read-only
CISCO-WAN-TRAP-VARS-MIB .cwTrapIndex	cwTrapVars	cwTrapIndex	Integer32	SNMP	read-only
CISCO-WAN-TRAP-VARS-MIB .cwTrapLineModuleNumber	cwTrapVars	cwTrapLineModuleNumber	Integer32	SNMP	read-only
CISCO-WAN-TRAP-VARS-MIB .cwTrapOctetString	cwTrapVars	cwTrapOctetString	OCTET	SNMP	read-only
CISCO-WAN-TRAP-VARS-MIB .cwTrapPhysicalContainer	cwTrapVars	cwTrapPhysicalContainer	INTEGER	SNMP	read-only
CISCO-WAN-TRAP-VARS-MIB .cwTrapPhysicalUnit	cwTrapVars	cwTrapPhysicalUnit	INTEGER	SNMP	read-only
CISCO-WAN-TRAP-VARS-MIB .cwTrapPhysicalVendorType	cwTrapVars	cwTrapPhysicalVendorType	AutonomousType	SNMP	read-only
CISCO-WAN-TRAP-VARS-MIB .cwTrapSctCardType	cwTrapVars	cwTrapSctCardType	INTEGER	SNMP	read-only
CISCO-WAN-TRAP-VARS-MIB .cwTrapSctId	cwTrapVars	cwTrapSctId	Unsigned32	SNMP	read-only
CISCO-WAN-TRAP-VARS-MIB .cwTrapSctMajorVersion	cwTrapVars	cwTrapSctMajorVersion	Unsigned32	SNMP	read-only
CISCO-WAN-TRAP-VARS-MIB .cwTrapSctType	cwTrapVars	cwTrapSctType	INTEGER	SNMP	read-only
CISCO-WAN-TRAP-VARS-MIB .cwTrapSlotNumber	cwTrapVars	cwTrapSlotNumber	Integer32	SNMP	read-only
ENTITY-MIB.entPhysicalContainedIn	entPhysicalEntry	entPhysicalContainedIn	INTEGER	SNMP	read-only
ENTITY-MIB.entPhysicalDescr	entPhysicalEntry	entPhysicalDescr	SnmpAdminString	SNMP	read-only
ENTITY-MIB.entPhysicalParentRelPos	entPhysicalEntry	entPhysicalParentRelPos	INTEGER	SNMP	read-only
ENTITY-MIB.entPhysicalVendorType	entPhysicalEntry	entPhysicalVendorType	AutonomousType	SNMP	read-only

cwFeederLMIDown Class

Table A-454 cwFeederLMIDown Class Attributes

Name	Module	Object	Type	Section	Access
CISCO-WAN-TRAP-VARS-MIB .cwTrapCardRole	cwTrapVars	cwTrapCardRole	INTEGER	SNMP	read-only
CISCO-WAN-TRAP-VARS-MIB .cwTrapDisplayString	cwTrapVars	cwTrapDisplayString	DisplayString	SNMP	read-only
CISCO-WAN-TRAP-VARS-MIB .cwTrapIndex	cwTrapVars	cwTrapIndex	Integer32	SNMP	read-only
CISCO-WAN-TRAP-VARS-MIB .cwTrapLineModuleNumber	cwTrapVars	cwTrapLineModuleNumber	Integer32	SNMP	read-only
CISCO-WAN-TRAP-VARS-MIB .cwTrapOctetString	cwTrapVars	cwTrapOctetString	OCTET	SNMP	read-only
CISCO-WAN-TRAP-VARS-MIB .cwTrapPhysicalContainer	cwTrapVars	cwTrapPhysicalContainer	INTEGER	SNMP	read-only
CISCO-WAN-TRAP-VARS-MIB .cwTrapPhysicalUnit	cwTrapVars	cwTrapPhysicalUnit	INTEGER	SNMP	read-only
CISCO-WAN-TRAP-VARS-MIB .cwTrapPhysicalVendorType	cwTrapVars	cwTrapPhysicalVendorType	AutonomousType	SNMP	read-only
CISCO-WAN-TRAP-VARS-MIB .cwTrapSctCardType	cwTrapVars	cwTrapSctCardType	INTEGER	SNMP	read-only
CISCO-WAN-TRAP-VARS-MIB .cwTrapSctId	cwTrapVars	cwTrapSctId	Unsigned32	SNMP	read-only
CISCO-WAN-TRAP-VARS-MIB .cwTrapSctMajorVersion	cwTrapVars	cwTrapSctMajorVersion	Unsigned32	SNMP	read-only
CISCO-WAN-TRAP-VARS-MIB .cwTrapSctType	cwTrapVars	cwTrapSctType	INTEGER	SNMP	read-only
CISCO-WAN-TRAP-VARS-MIB .cwTrapSlotNumber	cwTrapVars	cwTrapSlotNumber	Integer32	SNMP	read-only
ENTITY-MIB.entPhysicalContainedIn	entPhysicalEntry	entPhysicalContainedIn	INTEGER	SNMP	read-only
ENTITY-MIB.entPhysicalDescription	entPhysicalEntry	entPhysicalDescription	SnmpAdminString	SNMP	read-only
ENTITY-MIB.entPhysicalParentRelPos	entPhysicalEntry	entPhysicalParentRelPos	INTEGER	SNMP	read-only
ENTITY-MIB.entPhysicalVendorType	entPhysicalEntry	entPhysicalVendorType	AutonomousType	SNMP	read-only

cwFeederConfigChange Class

Table A-455 cwFeederConfigChange Class Attributes

Name	Module	Object	Type	Section	Access
CISCO-WAN-TRAP-VARS-MIB .cwTrapCardRole	cwTrapVars	cwTrapCardRole	INTEGER	SNMP	read-only
CISCO-WAN-TRAP-VARS-MIB .cwTrapDisplayString	cwTrapVars	cwTrapDisplayString	DisplayString	SNMP	read-only
CISCO-WAN-TRAP-VARS-MIB .cwTrapIndex	cwTrapVars	cwTrapIndex	Integer32	SNMP	read-only
CISCO-WAN-TRAP-VARS-MIB .cwTrapLineModuleNumber	cwTrapVars	cwTrapLineModuleNumber	Integer32	SNMP	read-only
CISCO-WAN-TRAP-VARS-MIB .cwTrapOctetString	cwTrapVars	cwTrapOctetString	OCTET	SNMP	read-only
CISCO-WAN-TRAP-VARS-MIB .cwTrapPhysicalContainer	cwTrapVars	cwTrapPhysicalContainer	INTEGER	SNMP	read-only
CISCO-WAN-TRAP-VARS-MIB .cwTrapPhysicalUnit	cwTrapVars	cwTrapPhysicalUnit	INTEGER	SNMP	read-only
CISCO-WAN-TRAP-VARS-MIB .cwTrapPhysicalVendorType	cwTrapVars	cwTrapPhysicalVendorType	AutonomousType	SNMP	read-only
CISCO-WAN-TRAP-VARS-MIB .cwTrapSctCardType	cwTrapVars	cwTrapSctCardType	INTEGER	SNMP	read-only
CISCO-WAN-TRAP-VARS-MIB .cwTrapSctId	cwTrapVars	cwTrapSctId	Unsigned32	SNMP	read-only
CISCO-WAN-TRAP-VARS-MIB .cwTrapSctMajorVersion	cwTrapVars	cwTrapSctMajorVersion	Unsigned32	SNMP	read-only
CISCO-WAN-TRAP-VARS-MIB .cwTrapSctType	cwTrapVars	cwTrapSctType	INTEGER	SNMP	read-only
CISCO-WAN-TRAP-VARS-MIB .cwTrapSlotNumber	cwTrapVars	cwTrapSlotNumber	Integer32	SNMP	read-only
ENTITY-MIB.entPhysicalContainedIn	entPhysicalEntry	entPhysicalContainedIn	INTEGER	SNMP	read-only
ENTITY-MIB.entPhysicalDescr	entPhysicalEntry	entPhysicalDescr	SnmpAdminString	SNMP	read-only
ENTITY-MIB.entPhysicalParentRelPos	entPhysicalEntry	entPhysicalParentRelPos	INTEGER	SNMP	read-only
ENTITY-MIB.entPhysicalVendorType	entPhysicalEntry	entPhysicalVendorType	AutonomousType	SNMP	read-only

cwLMIAAdded Class

Table A-456 cwLMIAAdded Class Attributes

Name	Module	Object	Type	Section	Access
CISCO-WAN-FEEDER-MIB.cw fLMIType	cwFeederEntry	cwfLMIType	INTEGER	SNMP	read-create
CISCO-WAN-TRAP-VARS-MIB .cwTrapCardRole	cwTrapVars	cwTrapCardRole	INTEGER	SNMP	read-only
CISCO-WAN-TRAP-VARS-MIB .cwTrapDisplayString	cwTrapVars	cwTrapDisplayStri ng	DisplayString	SNMP	read-only
CISCO-WAN-TRAP-VARS-MIB .cwTrapIndex	cwTrapVars	cwTrapIndex	Integer32	SNMP	read-only
CISCO-WAN-TRAP-VARS-MIB .cwTrapLineModuleNumber	cwTrapVars	cwTrapLineModule Number	Integer32	SNMP	read-only
CISCO-WAN-TRAP-VARS-MIB .cwTrapOctetString	cwTrapVars	cwTrapOctetString	OCTET	SNMP	read-only
CISCO-WAN-TRAP-VARS-MIB .cwTrapPhysicalContainer	cwTrapVars	cwTrapPhysicalCo ntainer	INTEGER	SNMP	read-only
CISCO-WAN-TRAP-VARS-MIB .cwTrapPhysicalUnit	cwTrapVars	cwTrapPhysicalUni t	INTEGER	SNMP	read-only
CISCO-WAN-TRAP-VARS-MIB .cwTrapPhysicalVendorType	cwTrapVars	cwTrapPhysicalVen dorType	AutonomousTy pe	SNMP	read-only
CISCO-WAN-TRAP-VARS-MIB .cwTrapSctCardType	cwTrapVars	cwTrapSctCardTyp e	INTEGER	SNMP	read-only
CISCO-WAN-TRAP-VARS-MIB .cwTrapSctId	cwTrapVars	cwTrapSctId	Unsigned32	SNMP	read-only
CISCO-WAN-TRAP-VARS-MIB .cwTrapSctMajorVersion	cwTrapVars	cwTrapSctMajorVe rsion	Unsigned32	SNMP	read-only
CISCO-WAN-TRAP-VARS-MIB .cwTrapSctType	cwTrapVars	cwTrapSctType	INTEGER	SNMP	read-only
CISCO-WAN-TRAP-VARS-MIB .cwTrapSlotNumber	cwTrapVars	cwTrapSlotNumber	Integer32	SNMP	read-only
ENTITY-MIB.entPhysicalContai nedIn	entPhysicalEntry	entPhysicalContain edIn	INTEGER	SNMP	read-only
ENTITY-MIB.entPhysicalDescr	entPhysicalEntry	entPhysicalDescr	SnmpAdminSt ring	SNMP	read-only
ENTITY-MIB.entPhysicalParent RelPos	entPhysicalEntry	entPhysicalParentR elPos	INTEGER	SNMP	read-only
ENTITY-MIB.entPhysicalVendor Type	entPhysicalEntry	entPhysicalVendor Type	AutonomousTy pe	SNMP	read-only

cwLMIDeleted Class

Table A-457 cwLMIDeleted Class Attributes

Name	Module	Object	Type	Section	Access
CISCO-WAN-FEEDER-MIB.cwflMIDeletedType	cwFeederEntry	cwflMIDeletedType	INTEGER	SNMP	read-create
CISCO-WAN-TRAP-VARS-MIB.cwTrapCardRole	cwTrapVars	cwTrapCardRole	INTEGER	SNMP	read-only
CISCO-WAN-TRAP-VARS-MIB.cwTrapDisplayString	cwTrapVars	cwTrapDisplayString	DisplayString	SNMP	read-only
CISCO-WAN-TRAP-VARS-MIB.cwTrapIndex	cwTrapVars	cwTrapIndex	Integer32	SNMP	read-only
CISCO-WAN-TRAP-VARS-MIB.cwTrapLineModuleNumber	cwTrapVars	cwTrapLineModuleNumber	Integer32	SNMP	read-only
CISCO-WAN-TRAP-VARS-MIB.cwTrapOctetString	cwTrapVars	cwTrapOctetString	OCTET	SNMP	read-only
CISCO-WAN-TRAP-VARS-MIB.cwTrapPhysicalContainer	cwTrapVars	cwTrapPhysicalContainer	INTEGER	SNMP	read-only
CISCO-WAN-TRAP-VARS-MIB.cwTrapPhysicalUnit	cwTrapVars	cwTrapPhysicalUnit	INTEGER	SNMP	read-only
CISCO-WAN-TRAP-VARS-MIB.cwTrapPhysicalVendorType	cwTrapVars	cwTrapPhysicalVendorType	AutonomousType	SNMP	read-only
CISCO-WAN-TRAP-VARS-MIB.cwTrapSctCardType	cwTrapVars	cwTrapSctCardType	INTEGER	SNMP	read-only
CISCO-WAN-TRAP-VARS-MIB.cwTrapSctId	cwTrapVars	cwTrapSctId	Unsigned32	SNMP	read-only
CISCO-WAN-TRAP-VARS-MIB.cwTrapSctMajorVersion	cwTrapVars	cwTrapSctMajorVersion	Unsigned32	SNMP	read-only
CISCO-WAN-TRAP-VARS-MIB.cwTrapSctType	cwTrapVars	cwTrapSctType	INTEGER	SNMP	read-only
CISCO-WAN-TRAP-VARS-MIB.cwTrapSlotNumber	cwTrapVars	cwTrapSlotNumber	Integer32	SNMP	read-only
ENTITY-MIB.entPhysicalContainedIn	entPhysicalEntry	entPhysicalContainedIn	INTEGER	SNMP	read-only
ENTITY-MIB.entPhysicalDescr	entPhysicalEntry	entPhysicalDescr	SnmpAdminString	SNMP	read-only
ENTITY-MIB.entPhysicalParentRelPos	entPhysicalEntry	entPhysicalParentRelPos	INTEGER	SNMP	read-only
ENTITY-MIB.entPhysicalVendorType	entPhysicalEntry	entPhysicalVendorType	AutonomousType	SNMP	read-only

cwLMIUp Class

Table A-458 cwLMIUp Class Attributes

Name	Module	Object	Type	Section	Access
CISCO-WAN-FEEDER-MIB.cw fLMIType	cwFeederEntry	cwfLMIType	INTEGER	SNMP	read-create
CISCO-WAN-TRAP-VARS-MIB .cwTrapCardRole	cwTrapVars	cwTrapCardRole	INTEGER	SNMP	read-only
CISCO-WAN-TRAP-VARS-MIB .cwTrapDisplayString	cwTrapVars	cwTrapDisplayStri ng	DisplayString	SNMP	read-only
CISCO-WAN-TRAP-VARS-MIB .cwTrapIndex	cwTrapVars	cwTrapIndex	Integer32	SNMP	read-only
CISCO-WAN-TRAP-VARS-MIB .cwTrapLineModule Number	cwTrapVars	cwTrapLineModule Number	Integer32	SNMP	read-only
CISCO-WAN-TRAP-VARS-MIB .cwTrapOctetString	cwTrapVars	cwTrapOctetString	OCTET	SNMP	read-only
CISCO-WAN-TRAP-VARS-MIB .cwTrapPhysicalCo ntainer	cwTrapVars	cwTrapPhysicalCo ntainer	INTEGER	SNMP	read-only
CISCO-WAN-TRAP-VARS-MIB .cwTrapPhysicalUni t	cwTrapVars	cwTrapPhysicalUni t	INTEGER	SNMP	read-only
CISCO-WAN-TRAP-VARS-MIB .cwTrapPhysicalVen dorType	cwTrapVars	cwTrapPhysicalVen dorType	AutonomousTy pe	SNMP	read-only
CISCO-WAN-TRAP-VARS-MIB .cwTrapSctCardTyp e	cwTrapVars	cwTrapSctCardTyp e	INTEGER	SNMP	read-only
CISCO-WAN-TRAP-VARS-MIB .cwTrapSctId	cwTrapVars	cwTrapSctId	Unsigned32	SNMP	read-only
CISCO-WAN-TRAP-VARS-MIB .cwTrapSctMajorVe rsion	cwTrapVars	cwTrapSctMajorVe rsion	Unsigned32	SNMP	read-only
CISCO-WAN-TRAP-VARS-MIB .cwTrapSctType	cwTrapVars	cwTrapSctType	INTEGER	SNMP	read-only
CISCO-WAN-TRAP-VARS-MIB .cwTrapSlotNumber	cwTrapVars	cwTrapSlotNumber	Integer32	SNMP	read-only
ENTITY-MIB.entPhysicalContai nedIn	entPhysicalEntry	entPhysicalContain edIn	INTEGER	SNMP	read-only
ENTITY-MIB.entPhysicalDescr	entPhysicalEntry	entPhysicalDescr	SnmpAdminSt ring	SNMP	read-only
ENTITY-MIB.entPhysicalParent RelPos	entPhysicalEntry	entPhysicalParentR elPos	INTEGER	SNMP	read-only
ENTITY-MIB.entPhysicalVendor Type	entPhysicalEntry	entPhysicalVendor Type	AutonomousTy pe	SNMP	read-only

cwLMIDown Class

Table A-459 cwLMIDown Class Attributes

Name	Module	Object	Type	Section	Access
CISCO-WAN-FEEDER-MIB.cwflMIType	cwFeederEntry	cwflMIType	INTEGER	SNMP	read-create
CISCO-WAN-TRAP-VARS-MIB.cwTrapCardRole	cwTrapVars	cwTrapCardRole	INTEGER	SNMP	read-only
CISCO-WAN-TRAP-VARS-MIB.cwTrapDisplayString	cwTrapVars	cwTrapDisplayString	DisplayString	SNMP	read-only
CISCO-WAN-TRAP-VARS-MIB.cwTrapIndex	cwTrapVars	cwTrapIndex	Integer32	SNMP	read-only
CISCO-WAN-TRAP-VARS-MIB.cwTrapLineModuleNumber	cwTrapVars	cwTrapLineModuleNumber	Integer32	SNMP	read-only
CISCO-WAN-TRAP-VARS-MIB.cwTrapOctetString	cwTrapVars	cwTrapOctetString	OCTET	SNMP	read-only
CISCO-WAN-TRAP-VARS-MIB.cwTrapPhysicalContainer	cwTrapVars	cwTrapPhysicalContainer	INTEGER	SNMP	read-only
CISCO-WAN-TRAP-VARS-MIB.cwTrapPhysicalUnit	cwTrapVars	cwTrapPhysicalUnit	INTEGER	SNMP	read-only
CISCO-WAN-TRAP-VARS-MIB.cwTrapPhysicalVendorType	cwTrapVars	cwTrapPhysicalVendorType	AutonomousType	SNMP	read-only
CISCO-WAN-TRAP-VARS-MIB.cwTrapSctCardType	cwTrapVars	cwTrapSctCardType	INTEGER	SNMP	read-only
CISCO-WAN-TRAP-VARS-MIB.cwTrapSctId	cwTrapVars	cwTrapSctId	Unsigned32	SNMP	read-only
CISCO-WAN-TRAP-VARS-MIB.cwTrapSctMajorVersion	cwTrapVars	cwTrapSctMajorVersion	Unsigned32	SNMP	read-only
CISCO-WAN-TRAP-VARS-MIB.cwTrapSctType	cwTrapVars	cwTrapSctType	INTEGER	SNMP	read-only
CISCO-WAN-TRAP-VARS-MIB.cwTrapSlotNumber	cwTrapVars	cwTrapSlotNumber	Integer32	SNMP	read-only
ENTITY-MIB.entPhysicalContainedIn	entPhysicalEntry	entPhysicalContainedIn	INTEGER	SNMP	read-only
ENTITY-MIB.entPhysicalDescr	entPhysicalEntry	entPhysicalDescr	SnmpAdminString	SNMP	read-only
ENTITY-MIB.entPhysicalParentRelPos	entPhysicalEntry	entPhysicalParentRelPos	INTEGER	SNMP	read-only
ENTITY-MIB.entPhysicalVendorType	entPhysicalEntry	entPhysicalVendorType	AutonomousType	SNMP	read-only

cwLMIconfigChange Class

Table A-460 cwLMIconfigChange Class Attributes

Name	Module	Object	Type	Section	Access
CISCO-WAN-FEEDER-MIB.cw fLMIType	cwFeederEntry	cwfLMIType	INTEGER	SNMP	read-create
CISCO-WAN-TRAP-VARS-MIB .cwTrapCardRole	cwTrapVars	cwTrapCardRole	INTEGER	SNMP	read-only
CISCO-WAN-TRAP-VARS-MIB .cwTrapDisplayString	cwTrapVars	cwTrapDisplayStri ng	DisplayString	SNMP	read-only
CISCO-WAN-TRAP-VARS-MIB .cwTrapIndex	cwTrapVars	cwTrapIndex	Integer32	SNMP	read-only
CISCO-WAN-TRAP-VARS-MIB .cwTrapLineModuleNumber	cwTrapVars	cwTrapLineModule Number	Integer32	SNMP	read-only
CISCO-WAN-TRAP-VARS-MIB .cwTrapOctetString	cwTrapVars	cwTrapOctetString	OCTET	SNMP	read-only
CISCO-WAN-TRAP-VARS-MIB .cwTrapPhysicalContainer	cwTrapVars	cwTrapPhysicalCo ntainer	INTEGER	SNMP	read-only
CISCO-WAN-TRAP-VARS-MIB .cwTrapPhysicalUnit	cwTrapVars	cwTrapPhysicalUni t	INTEGER	SNMP	read-only
CISCO-WAN-TRAP-VARS-MIB .cwTrapPhysicalVendorType	cwTrapVars	cwTrapPhysicalVen dorType	AutonomousTy pe	SNMP	read-only
CISCO-WAN-TRAP-VARS-MIB .cwTrapSctCardType	cwTrapVars	cwTrapSctCardTyp e	INTEGER	SNMP	read-only
CISCO-WAN-TRAP-VARS-MIB .cwTrapSctId	cwTrapVars	cwTrapSctId	Unsigned32	SNMP	read-only
CISCO-WAN-TRAP-VARS-MIB .cwTrapSctMajorVersion	cwTrapVars	cwTrapSctMajorVe rsion	Unsigned32	SNMP	read-only
CISCO-WAN-TRAP-VARS-MIB .cwTrapSctType	cwTrapVars	cwTrapSctType	INTEGER	SNMP	read-only
CISCO-WAN-TRAP-VARS-MIB .cwTrapSlotNumber	cwTrapVars	cwTrapSlotNumber	Integer32	SNMP	read-only
ENTITY-MIB.entPhysicalContai nedIn	entPhysicalEntry	entPhysicalContain edIn	INTEGER	SNMP	read-only
ENTITY-MIB.entPhysicalDescr	entPhysicalEntry	entPhysicalDescr	SnmpAdminSt ring	SNMP	read-only
ENTITY-MIB.entPhysicalParent RelPos	entPhysicalEntry	entPhysicalParentR elPos	INTEGER	SNMP	read-only
ENTITY-MIB.entPhysicalVendor Type	entPhysicalEntry	entPhysicalVendor Type	AutonomousTy pe	SNMP	read-only

cwRpmSubIfAdd Class

Table A-461 cwRpmSubIfAdd Class Attributes

Name	Module	Object	Type	Section	Access
CISCO-WAN-TRAP-VARS-MIB .cwTrapCardRole	cwTrapVars	cwTrapCardRole	INTEGER	SNMP	read-only
CISCO-WAN-TRAP-VARS-MIB .cwTrapDisplayString	cwTrapVars	cwTrapDisplayString	DisplayString	SNMP	read-only
CISCO-WAN-TRAP-VARS-MIB .cwTrapIndex	cwTrapVars	cwTrapIndex	Integer32	SNMP	read-only
CISCO-WAN-TRAP-VARS-MIB .cwTrapLineModuleNumber	cwTrapVars	cwTrapLineModuleNumber	Integer32	SNMP	read-only
CISCO-WAN-TRAP-VARS-MIB .cwTrapOctetString	cwTrapVars	cwTrapOctetString	OCTET	SNMP	read-only
CISCO-WAN-TRAP-VARS-MIB .cwTrapPhysicalContainer	cwTrapVars	cwTrapPhysicalContainer	INTEGER	SNMP	read-only
CISCO-WAN-TRAP-VARS-MIB .cwTrapPhysicalUnit	cwTrapVars	cwTrapPhysicalUnit	INTEGER	SNMP	read-only
CISCO-WAN-TRAP-VARS-MIB .cwTrapPhysicalVendorType	cwTrapVars	cwTrapPhysicalVendorType	AutonomousType	SNMP	read-only
CISCO-WAN-TRAP-VARS-MIB .cwTrapSctCardType	cwTrapVars	cwTrapSctCardType	INTEGER	SNMP	read-only
CISCO-WAN-TRAP-VARS-MIB .cwTrapSctId	cwTrapVars	cwTrapSctId	Unsigned32	SNMP	read-only
CISCO-WAN-TRAP-VARS-MIB .cwTrapSctMajorVersion	cwTrapVars	cwTrapSctMajorVersion	Unsigned32	SNMP	read-only
CISCO-WAN-TRAP-VARS-MIB .cwTrapSctType	cwTrapVars	cwTrapSctType	INTEGER	SNMP	read-only
CISCO-WAN-TRAP-VARS-MIB .cwTrapSlotNumber	cwTrapVars	cwTrapSlotNumber	Integer32	SNMP	read-only
IF-MIB.ifIndex	ifEntry	ifIndex	InterfaceIndex	SNMP, LocalDB	read-only
IF-MIB.ifName	ifXEntry	ifName	DisplayString	SNMP	read-only
IF-MIB.ifType	ifEntry	ifType	IANAifType	SNMP	read-only

cwRpmSubIfDelete Class

Table A-462 cwRpmSubIfDelete Class Attributes

Name	Module	Object	Type	Section	Access
CISCO-WAN-TRAP-VARS-MIB .cwTrapCardRole	cwTrapVars	cwTrapCardRole	INTEGER	SNMP	read-only
CISCO-WAN-TRAP-VARS-MIB .cwTrapDisplayString	cwTrapVars	cwTrapDisplayString	DisplayString	SNMP	read-only
CISCO-WAN-TRAP-VARS-MIB .cwTrapIndex	cwTrapVars	cwTrapIndex	Integer32	SNMP	read-only
CISCO-WAN-TRAP-VARS-MIB .cwTrapLineModuleNumber	cwTrapVars	cwTrapLineModuleNumber	Integer32	SNMP	read-only
CISCO-WAN-TRAP-VARS-MIB .cwTrapOctetString	cwTrapVars	cwTrapOctetString	OCTET	SNMP	read-only
CISCO-WAN-TRAP-VARS-MIB .cwTrapPhysicalContainer	cwTrapVars	cwTrapPhysicalContainer	INTEGER	SNMP	read-only
CISCO-WAN-TRAP-VARS-MIB .cwTrapPhysicalUnit	cwTrapVars	cwTrapPhysicalUnit	INTEGER	SNMP	read-only
CISCO-WAN-TRAP-VARS-MIB .cwTrapPhysicalVendorType	cwTrapVars	cwTrapPhysicalVendorType	AutonomousType	SNMP	read-only
CISCO-WAN-TRAP-VARS-MIB .cwTrapSctCardType	cwTrapVars	cwTrapSctCardType	INTEGER	SNMP	read-only
CISCO-WAN-TRAP-VARS-MIB .cwTrapSctId	cwTrapVars	cwTrapSctId	Unsigned32	SNMP	read-only
CISCO-WAN-TRAP-VARS-MIB .cwTrapSctMajorVersion	cwTrapVars	cwTrapSctMajorVersion	Unsigned32	SNMP	read-only
CISCO-WAN-TRAP-VARS-MIB .cwTrapSctType	cwTrapVars	cwTrapSctType	INTEGER	SNMP	read-only
CISCO-WAN-TRAP-VARS-MIB .cwTrapSlotNumber	cwTrapVars	cwTrapSlotNumber	Integer32	SNMP	read-only
IF-MIB.ifIndex	ifEntry	ifIndex	InterfaceIndex	SNMP, LocalDB	read-only
IF-MIB.ifName	ifXEntry	ifName	DisplayString	SNMP	read-only
IF-MIB.ifType	ifEntry	ifType	IANAifType	SNMP	read-only

cwRpmSubIfUp Class

Table A-463 cwRpmSubIfUp Class Attributes

Name	Module	Object	Type	Section	Access
CISCO-WAN-TRAP-VARS-MIB .cwTrapCardRole	cwTrapVars	cwTrapCardRole	INTEGER	SNMP	read-only
CISCO-WAN-TRAP-VARS-MIB .cwTrapDisplayString	cwTrapVars	cwTrapDisplayString	DisplayString	SNMP	read-only
CISCO-WAN-TRAP-VARS-MIB .cwTrapIndex	cwTrapVars	cwTrapIndex	Integer32	SNMP	read-only
CISCO-WAN-TRAP-VARS-MIB .cwTrapLineModuleNumber	cwTrapVars	cwTrapLineModuleNumber	Integer32	SNMP	read-only
CISCO-WAN-TRAP-VARS-MIB .cwTrapOctetString	cwTrapVars	cwTrapOctetString	OCTET	SNMP	read-only
CISCO-WAN-TRAP-VARS-MIB .cwTrapPhysicalContainer	cwTrapVars	cwTrapPhysicalContainer	INTEGER	SNMP	read-only
CISCO-WAN-TRAP-VARS-MIB .cwTrapPhysicalUnit	cwTrapVars	cwTrapPhysicalUnit	INTEGER	SNMP	read-only
CISCO-WAN-TRAP-VARS-MIB .cwTrapPhysicalVendorType	cwTrapVars	cwTrapPhysicalVendorType	AutonomousType	SNMP	read-only
CISCO-WAN-TRAP-VARS-MIB .cwTrapSctCardType	cwTrapVars	cwTrapSctCardType	INTEGER	SNMP	read-only
CISCO-WAN-TRAP-VARS-MIB .cwTrapSctId	cwTrapVars	cwTrapSctId	Unsigned32	SNMP	read-only
CISCO-WAN-TRAP-VARS-MIB .cwTrapSctMajorVersion	cwTrapVars	cwTrapSctMajorVersion	Unsigned32	SNMP	read-only
CISCO-WAN-TRAP-VARS-MIB .cwTrapSctType	cwTrapVars	cwTrapSctType	INTEGER	SNMP	read-only
CISCO-WAN-TRAP-VARS-MIB .cwTrapSlotNumber	cwTrapVars	cwTrapSlotNumber	Integer32	SNMP	read-only
IF-MIB.ifIndex	ifEntry	ifIndex	InterfaceIndex	SNMP, LocalDB	read-only
IF-MIB.ifName	ifXEntry	ifName	DisplayString	SNMP	read-only
IF-MIB.ifType	ifEntry	ifType	IANAifType	SNMP	read-only

cwRpmSubIfDown Class

Table A-464 cwRpmSubIfDown Class Attributes

Name	Module	Object	Type	Section	Access
CISCO-WAN-TRAP-VARS-MIB .cwTrapCardRole	cwTrapVars	cwTrapCardRole	INTEGER	SNMP	read-only
CISCO-WAN-TRAP-VARS-MIB .cwTrapDisplayString	cwTrapVars	cwTrapDisplayString	DisplayString	SNMP	read-only
CISCO-WAN-TRAP-VARS-MIB .cwTrapIndex	cwTrapVars	cwTrapIndex	Integer32	SNMP	read-only
CISCO-WAN-TRAP-VARS-MIB .cwTrapLineModuleNumber	cwTrapVars	cwTrapLineModuleNumber	Integer32	SNMP	read-only
CISCO-WAN-TRAP-VARS-MIB .cwTrapOctetString	cwTrapVars	cwTrapOctetString	OCTET	SNMP	read-only
CISCO-WAN-TRAP-VARS-MIB .cwTrapPhysicalContainer	cwTrapVars	cwTrapPhysicalContainer	INTEGER	SNMP	read-only
CISCO-WAN-TRAP-VARS-MIB .cwTrapPhysicalUnit	cwTrapVars	cwTrapPhysicalUnit	INTEGER	SNMP	read-only
CISCO-WAN-TRAP-VARS-MIB .cwTrapPhysicalVendorType	cwTrapVars	cwTrapPhysicalVendorType	AutonomousType	SNMP	read-only
CISCO-WAN-TRAP-VARS-MIB .cwTrapSctCardType	cwTrapVars	cwTrapSctCardType	INTEGER	SNMP	read-only
CISCO-WAN-TRAP-VARS-MIB .cwTrapSctId	cwTrapVars	cwTrapSctId	Unsigned32	SNMP	read-only
CISCO-WAN-TRAP-VARS-MIB .cwTrapSctMajorVersion	cwTrapVars	cwTrapSctMajorVersion	Unsigned32	SNMP	read-only
CISCO-WAN-TRAP-VARS-MIB .cwTrapSctType	cwTrapVars	cwTrapSctType	INTEGER	SNMP	read-only
CISCO-WAN-TRAP-VARS-MIB .cwTrapSlotNumber	cwTrapVars	cwTrapSlotNumber	Integer32	SNMP	read-only
IF-MIB.ifIndex	ifEntry	ifIndex	InterfaceIndex	SNMP, LocalDB	read-only
IF-MIB.ifName	ifXEntry	ifName	DisplayString	SNMP	read-only
IF-MIB.ifType	ifEntry	ifType	IANAifType	SNMP	read-only

cwRpmSubIfConfigChange Class

Table A-465 cwRpmSubIfConfigChange Class Attributes

Name	Module	Object	Type	Section	Access
CISCO-WAN-TRAP-VARS-MIB .cwTrapCardRole	cwTrapVars	cwTrapCardRole	INTEGER	SNMP	read-only
CISCO-WAN-TRAP-VARS-MIB .cwTrapDisplayString	cwTrapVars	cwTrapDisplayString	DisplayString	SNMP	read-only
CISCO-WAN-TRAP-VARS-MIB .cwTrapIndex	cwTrapVars	cwTrapIndex	Integer32	SNMP	read-only
CISCO-WAN-TRAP-VARS-MIB .cwTrapLineModuleNumber	cwTrapVars	cwTrapLineModuleNumber	Integer32	SNMP	read-only
CISCO-WAN-TRAP-VARS-MIB .cwTrapOctetString	cwTrapVars	cwTrapOctetString	OCTET	SNMP	read-only
CISCO-WAN-TRAP-VARS-MIB .cwTrapPhysicalContainer	cwTrapVars	cwTrapPhysicalContainer	INTEGER	SNMP	read-only
CISCO-WAN-TRAP-VARS-MIB .cwTrapPhysicalUnit	cwTrapVars	cwTrapPhysicalUnit	INTEGER	SNMP	read-only
CISCO-WAN-TRAP-VARS-MIB .cwTrapPhysicalVendorType	cwTrapVars	cwTrapPhysicalVendorType	AutonomousType	SNMP	read-only
CISCO-WAN-TRAP-VARS-MIB .cwTrapSctCardType	cwTrapVars	cwTrapSctCardType	INTEGER	SNMP	read-only
CISCO-WAN-TRAP-VARS-MIB .cwTrapSctId	cwTrapVars	cwTrapSctId	Unsigned32	SNMP	read-only
CISCO-WAN-TRAP-VARS-MIB .cwTrapSctMajorVersion	cwTrapVars	cwTrapSctMajorVersion	Unsigned32	SNMP	read-only
CISCO-WAN-TRAP-VARS-MIB .cwTrapSctType	cwTrapVars	cwTrapSctType	INTEGER	SNMP	read-only
CISCO-WAN-TRAP-VARS-MIB .cwTrapSlotNumber	cwTrapVars	cwTrapSlotNumber	Integer32	SNMP	read-only
IF-MIB.ifIndex	ifEntry	ifIndex	InterfaceIndex	SNMP, LocalDB	read-only
IF-MIB.ifName	ifXEntry	ifName	DisplayString	SNMP	read-only
IF-MIB.ifType	ifEntry	ifType	IANAifType	SNMP	read-only

cwRpmSubIfOperUp Class

Table A-466 cwRpmSubIfOperUp Class Attributes

Name	Module	Object	Type	Section	Access
CISCO-WAN-TRAP-VARS-MIB .cwTrapCardRole	cwTrapVars	cwTrapCardRole	INTEGER	SNMP	read-only
CISCO-WAN-TRAP-VARS-MIB .cwTrapDisplayString	cwTrapVars	cwTrapDisplayString	DisplayString	SNMP	read-only
CISCO-WAN-TRAP-VARS-MIB .cwTrapIndex	cwTrapVars	cwTrapIndex	Integer32	SNMP	read-only
CISCO-WAN-TRAP-VARS-MIB .cwTrapLineModuleNumber	cwTrapVars	cwTrapLineModuleNumber	Integer32	SNMP	read-only
CISCO-WAN-TRAP-VARS-MIB .cwTrapOctetString	cwTrapVars	cwTrapOctetString	OCTET	SNMP	read-only
CISCO-WAN-TRAP-VARS-MIB .cwTrapPhysicalContainer	cwTrapVars	cwTrapPhysicalContainer	INTEGER	SNMP	read-only
CISCO-WAN-TRAP-VARS-MIB .cwTrapPhysicalUnit	cwTrapVars	cwTrapPhysicalUnit	INTEGER	SNMP	read-only
CISCO-WAN-TRAP-VARS-MIB .cwTrapPhysicalVendorType	cwTrapVars	cwTrapPhysicalVendorType	AutonomousType	SNMP	read-only
CISCO-WAN-TRAP-VARS-MIB .cwTrapSctCardType	cwTrapVars	cwTrapSctCardType	INTEGER	SNMP	read-only
CISCO-WAN-TRAP-VARS-MIB .cwTrapSctId	cwTrapVars	cwTrapSctId	Unsigned32	SNMP	read-only
CISCO-WAN-TRAP-VARS-MIB .cwTrapSctMajorVersion	cwTrapVars	cwTrapSctMajorVersion	Unsigned32	SNMP	read-only
CISCO-WAN-TRAP-VARS-MIB .cwTrapSctType	cwTrapVars	cwTrapSctType	INTEGER	SNMP	read-only
CISCO-WAN-TRAP-VARS-MIB .cwTrapSlotNumber	cwTrapVars	cwTrapSlotNumber	Integer32	SNMP	read-only
IF-MIB.ifIndex	ifEntry	ifIndex	InterfaceIndex	SNMP, LocalDB	read-only
IF-MIB.ifName	ifXEntry	ifName	DisplayString	SNMP	read-only
IF-MIB.ifType	ifEntry	ifType	IANAifType	SNMP	read-only

cwRpmSubIfOperDown Class

Table A-467 cwRpmSubIfOperDown Class Attributes

Name	Module	Object	Type	Section	Access
CISCO-WAN-TRAP-VARS-MIB .cwTrapCardRole	cwTrapVars	cwTrapCardRole	INTEGER	SNMP	read-only
CISCO-WAN-TRAP-VARS-MIB .cwTrapDisplayString	cwTrapVars	cwTrapDisplayString	DisplayString	SNMP	read-only
CISCO-WAN-TRAP-VARS-MIB .cwTrapIndex	cwTrapVars	cwTrapIndex	Integer32	SNMP	read-only
CISCO-WAN-TRAP-VARS-MIB .cwTrapLineModuleNumber	cwTrapVars	cwTrapLineModuleNumber	Integer32	SNMP	read-only
CISCO-WAN-TRAP-VARS-MIB .cwTrapOctetString	cwTrapVars	cwTrapOctetString	OCTET	SNMP	read-only
CISCO-WAN-TRAP-VARS-MIB .cwTrapPhysicalContainer	cwTrapVars	cwTrapPhysicalContainer	INTEGER	SNMP	read-only
CISCO-WAN-TRAP-VARS-MIB .cwTrapPhysicalUnit	cwTrapVars	cwTrapPhysicalUnit	INTEGER	SNMP	read-only
CISCO-WAN-TRAP-VARS-MIB .cwTrapPhysicalVendorType	cwTrapVars	cwTrapPhysicalVendorType	AutonomousType	SNMP	read-only
CISCO-WAN-TRAP-VARS-MIB .cwTrapSctCardType	cwTrapVars	cwTrapSctCardType	INTEGER	SNMP	read-only
CISCO-WAN-TRAP-VARS-MIB .cwTrapSctId	cwTrapVars	cwTrapSctId	Unsigned32	SNMP	read-only
CISCO-WAN-TRAP-VARS-MIB .cwTrapSctMajorVersion	cwTrapVars	cwTrapSctMajorVersion	Unsigned32	SNMP	read-only
CISCO-WAN-TRAP-VARS-MIB .cwTrapSctType	cwTrapVars	cwTrapSctType	INTEGER	SNMP	read-only
CISCO-WAN-TRAP-VARS-MIB .cwTrapSlotNumber	cwTrapVars	cwTrapSlotNumber	Integer32	SNMP	read-only
IF-MIB.ifIndex	ifEntry	ifIndex	InterfaceIndex	SNMP, LocalDB	read-only
IF-MIB.ifName	ifXEntry	ifName	DisplayString	SNMP	read-only
IF-MIB.ifType	ifEntry	ifType	IANAifType	SNMP	read-only

cwRpmSubIfOperUnknown Class

Table A-468 cwRpmSubIfOperUnknown Class Attributes

Name	Module	Object	Type	Section	Access
CISCO-WAN-TRAP-VARS-MIB .cwTrapCardRole	cwTrapVars	cwTrapCardRole	INTEGER	SNMP	read-only
CISCO-WAN-TRAP-VARS-MIB .cwTrapDisplayString	cwTrapVars	cwTrapDisplayString	DisplayString	SNMP	read-only
CISCO-WAN-TRAP-VARS-MIB .cwTrapIndex	cwTrapVars	cwTrapIndex	Integer32	SNMP	read-only
CISCO-WAN-TRAP-VARS-MIB .cwTrapLineModuleNumber	cwTrapVars	cwTrapLineModuleNumber	Integer32	SNMP	read-only
CISCO-WAN-TRAP-VARS-MIB .cwTrapOctetString	cwTrapVars	cwTrapOctetString	OCTET	SNMP	read-only
CISCO-WAN-TRAP-VARS-MIB .cwTrapPhysicalContainer	cwTrapVars	cwTrapPhysicalContainer	INTEGER	SNMP	read-only
CISCO-WAN-TRAP-VARS-MIB .cwTrapPhysicalUnit	cwTrapVars	cwTrapPhysicalUnit	INTEGER	SNMP	read-only
CISCO-WAN-TRAP-VARS-MIB .cwTrapPhysicalVendorType	cwTrapVars	cwTrapPhysicalVendorType	AutonomousType	SNMP	read-only
CISCO-WAN-TRAP-VARS-MIB .cwTrapSctCardType	cwTrapVars	cwTrapSctCardType	INTEGER	SNMP	read-only
CISCO-WAN-TRAP-VARS-MIB .cwTrapSctId	cwTrapVars	cwTrapSctId	Unsigned32	SNMP	read-only
CISCO-WAN-TRAP-VARS-MIB .cwTrapSctMajorVersion	cwTrapVars	cwTrapSctMajorVersion	Unsigned32	SNMP	read-only
CISCO-WAN-TRAP-VARS-MIB .cwTrapSctType	cwTrapVars	cwTrapSctType	INTEGER	SNMP	read-only
CISCO-WAN-TRAP-VARS-MIB .cwTrapSlotNumber	cwTrapVars	cwTrapSlotNumber	Integer32	SNMP	read-only
IF-MIB.ifIndex	ifEntry	ifIndex	InterfaceIndex	SNMP, LocalDB	read-only
IF-MIB.ifName	ifXEntry	ifName	DisplayString	SNMP	read-only
IF-MIB.ifType	ifEntry	ifType	IANAifType	SNMP	read-only

cwModuleConfigChange Class

Table A-469 cwModuleConfigChange Class Attributes

Name	Module	Object	Type	Section	Access
CISCO-WAN-TRAP-VARS-MIB .cwTrapCardRole	cwTrapVars	cwTrapCardRole	INTEGER	SNMP	read-only
CISCO-WAN-TRAP-VARS-MIB .cwTrapDisplayString	cwTrapVars	cwTrapDisplayString	DisplayString	SNMP	read-only
CISCO-WAN-TRAP-VARS-MIB .cwTrapIndex	cwTrapVars	cwTrapIndex	Integer32	SNMP	read-only
CISCO-WAN-TRAP-VARS-MIB .cwTrapLineModuleNumber	cwTrapVars	cwTrapLineModuleNumber	Integer32	SNMP	read-only
CISCO-WAN-TRAP-VARS-MIB .cwTrapOctetString	cwTrapVars	cwTrapOctetString	OCTET	SNMP	read-only
CISCO-WAN-TRAP-VARS-MIB .cwTrapPhysicalContainer	cwTrapVars	cwTrapPhysicalContainer	INTEGER	SNMP	read-only
CISCO-WAN-TRAP-VARS-MIB .cwTrapPhysicalUnit	cwTrapVars	cwTrapPhysicalUnit	INTEGER	SNMP	read-only
CISCO-WAN-TRAP-VARS-MIB .cwTrapPhysicalVendorType	cwTrapVars	cwTrapPhysicalVendorType	AutonomousType	SNMP	read-only
CISCO-WAN-TRAP-VARS-MIB .cwTrapSctCardType	cwTrapVars	cwTrapSctCardType	INTEGER	SNMP	read-only
CISCO-WAN-TRAP-VARS-MIB .cwTrapSctId	cwTrapVars	cwTrapSctId	Unsigned32	SNMP	read-only
CISCO-WAN-TRAP-VARS-MIB .cwTrapSctMajorVersion	cwTrapVars	cwTrapSctMajorVersion	Unsigned32	SNMP	read-only
CISCO-WAN-TRAP-VARS-MIB .cwTrapSctType	cwTrapVars	cwTrapSctType	INTEGER	SNMP	read-only
CISCO-WAN-TRAP-VARS-MIB .cwTrapSlotNumber	cwTrapVars	cwTrapSlotNumber	Integer32	SNMP	read-only

cwModuleStatsConfigChange Class

Table A-470 cwModuleStatsConfigChange Class Attributes

Name	Module	Object	Type	Section	Access
CISCO-WAN-TRAP-VARS-MIB .cwTrapCardRole	cwTrapVars	cwTrapCardRole	INTEGER	SNMP	read-only
CISCO-WAN-TRAP-VARS-MIB .cwTrapDisplayString	cwTrapVars	cwTrapDisplayString	DisplayString	SNMP	read-only

Table A-470 cwModuleStatsConfigChange Class Attributes (continued)

CISCO-WAN-TRAP-VARS-MIB .cwTrapIndex	cwTrapVars	cwTrapIndex	Integer32	SNMP	read-only
CISCO-WAN-TRAP-VARS-MIB .cwTrapLineModuleNumber	cwTrapVars	cwTrapLineModuleNumber	Integer32	SNMP	read-only
CISCO-WAN-TRAP-VARS-MIB .cwTrapOctetString	cwTrapVars	cwTrapOctetString	OCTET	SNMP	read-only
CISCO-WAN-TRAP-VARS-MIB .cwTrapPhysicalContainer	cwTrapVars	cwTrapPhysicalContainer	INTEGER	SNMP	read-only
CISCO-WAN-TRAP-VARS-MIB .cwTrapPhysicalUnit	cwTrapVars	cwTrapPhysicalUnit	INTEGER	SNMP	read-only
CISCO-WAN-TRAP-VARS-MIB .cwTrapPhysicalVendorType	cwTrapVars	cwTrapPhysicalVendorType	AutonomousType	SNMP	read-only
CISCO-WAN-TRAP-VARS-MIB .cwTrapSctCardType	cwTrapVars	cwTrapSctCardType	INTEGER	SNMP	read-only
CISCO-WAN-TRAP-VARS-MIB .cwTrapSctId	cwTrapVars	cwTrapSctId	Unsigned32	SNMP	read-only
CISCO-WAN-TRAP-VARS-MIB .cwTrapSctMajorVersion	cwTrapVars	cwTrapSctMajorVersion	Unsigned32	SNMP	read-only
CISCO-WAN-TRAP-VARS-MIB .cwTrapSctType	cwTrapVars	cwTrapSctType	INTEGER	SNMP	read-only
CISCO-WAN-TRAP-VARS-MIB .cwTrapSlotNumber	cwTrapVars	cwTrapSlotNumber	Integer32	SNMP	read-only

cwInterfaceLinkAdd Class

Table A-471 cwInterfaceLinkAdd Class Attributes

Name	Module	Object	Type	Section	Access
CISCO-IF-LINK-CONFIG-MIB. cilTargetModuleFramingType	cilConfEntry	cilTargetModuleFramingType	INTEGER	SNMP	read-create
CISCO-IF-LINK-CONFIG-MIB. cilTargetModuleInterface	cilConfEntry	cilTargetModuleInterface	CiscoLocationSpecifier	SNMP	read-create
CISCO-WAN-TRAP-VARS-MIB .cwTrapCardRole	cwTrapVars	cwTrapCardRole	INTEGER	SNMP	read-only
CISCO-WAN-TRAP-VARS-MIB .cwTrapDisplayString	cwTrapVars	cwTrapDisplayString	DisplayString	SNMP	read-only
CISCO-WAN-TRAP-VARS-MIB .cwTrapIndex	cwTrapVars	cwTrapIndex	Integer32	SNMP	read-only
CISCO-WAN-TRAP-VARS-MIB .cwTrapLineModuleNumber	cwTrapVars	cwTrapLineModuleNumber	Integer32	SNMP	read-only

Table A-471 cwInterfaceLinkAdd Class Attributes (continued)

CISCO-WAN-TRAP-VARS-MIB .cwTrapOctetString	cwTrapVars	cwTrapOctetString	OCTET	SNMP	read-only
CISCO-WAN-TRAP-VARS-MIB .cwTrapPhysicalContainer	cwTrapVars	cwTrapPhysicalCo ntainer	INTEGER	SNMP	read-only
CISCO-WAN-TRAP-VARS-MIB .cwTrapPhysicalUnit	cwTrapVars	cwTrapPhysicalUni t	INTEGER	SNMP	read-only
CISCO-WAN-TRAP-VARS-MIB .cwTrapPhysicalVendorType	cwTrapVars	cwTrapPhysicalVen dorType	AutonomousTy pe	SNMP	read-only
CISCO-WAN-TRAP-VARS-MIB .cwTrapSctCardType	cwTrapVars	cwTrapSctCardTyp e	INTEGER	SNMP	read-only
CISCO-WAN-TRAP-VARS-MIB .cwTrapSctId	cwTrapVars	cwTrapSctId	Unsigned32	SNMP	read-only
CISCO-WAN-TRAP-VARS-MIB .cwTrapSctMajorVersion	cwTrapVars	cwTrapSctMajorVe rsion	Unsigned32	SNMP	read-only
CISCO-WAN-TRAP-VARS-MIB .cwTrapSctType	cwTrapVars	cwTrapSctType	INTEGER	SNMP	read-only
CISCO-WAN-TRAP-VARS-MIB .cwTrapSlotNumber	cwTrapVars	cwTrapSlotNumber	Integer32	SNMP	read-only
IF-MIB.ifIndex	ifEntry	ifIndex	InterfaceIndex	SNMP, LocalDB	read-only
IF-MIB.ifName	ifXEntry	ifName	DisplayString	SNMP	read-only
IF-MIB.ifType	ifEntry	ifType	IANAifType	SNMP	read-only

cwInterfaceLinkDelete Class

Table A-472 cwInterfaceLinkDelete Class Attributes

Name	Module	Object	Type	Section	Access
CISCO-IF-LINK-CONFIG-MIB. cilTargetModuleFramingType	cilConfEntry	cilTargetModuleFr amingType	INTEGER	SNMP	read-create
CISCO-IF-LINK-CONFIG-MIB. cilTargetModuleInterface	cilConfEntry	cilTargetModuleInt erface	CiscoLocation Specifier	SNMP	read-create
CISCO-WAN-TRAP-VARS-MIB .cwTrapCardRole	cwTrapVars	cwTrapCardRole	INTEGER	SNMP	read-only
CISCO-WAN-TRAP-VARS-MIB .cwTrapDisplayString	cwTrapVars	cwTrapDisplayStri ng	DisplayString	SNMP	read-only
CISCO-WAN-TRAP-VARS-MIB .cwTrapIndex	cwTrapVars	cwTrapIndex	Integer32	SNMP	read-only
CISCO-WAN-TRAP-VARS-MIB .cwTrapLineModuleNumber	cwTrapVars	cwTrapLineModule Number	Integer32	SNMP	read-only

Table A-472 cwInterfaceLinkDelete Class Attributes (continued)

CISCO-WAN-TRAP-VARS-MIB .cwTrapOctetString	cwTrapVars	cwTrapOctetString	OCTET	SNMP	read-only
CISCO-WAN-TRAP-VARS-MIB .cwTrapPhysicalContainer	cwTrapVars	cwTrapPhysicalCo ntainer	INTEGER	SNMP	read-only
CISCO-WAN-TRAP-VARS-MIB .cwTrapPhysicalUnit	cwTrapVars	cwTrapPhysicalUni t	INTEGER	SNMP	read-only
CISCO-WAN-TRAP-VARS-MIB .cwTrapPhysicalVendorType	cwTrapVars	cwTrapPhysicalVen dorType	AutonomousTy pe	SNMP	read-only
CISCO-WAN-TRAP-VARS-MIB .cwTrapSctCardType	cwTrapVars	cwTrapSctCardTyp e	INTEGER	SNMP	read-only
CISCO-WAN-TRAP-VARS-MIB .cwTrapSctId	cwTrapVars	cwTrapSctId	Unsigned32	SNMP	read-only
CISCO-WAN-TRAP-VARS-MIB .cwTrapSctMajorVersion	cwTrapVars	cwTrapSctMajorVe rsion	Unsigned32	SNMP	read-only
CISCO-WAN-TRAP-VARS-MIB .cwTrapSctType	cwTrapVars	cwTrapSctType	INTEGER	SNMP	read-only
CISCO-WAN-TRAP-VARS-MIB .cwTrapSlotNumber	cwTrapVars	cwTrapSlotNumber	Integer32	SNMP	read-only
IF-MIB.ifIndex	ifEntry	ifIndex	InterfaceIndex	SNMP, LocalDB	read-only
IF-MIB.ifName	ifXEntry	ifName	DisplayString	SNMP	read-only
IF-MIB.ifType	ifEntry	ifType	IANAifType	SNMP	read-only

cwInterfaceLinkCfgChange Class

Table A-473 cwInterfaceLinkCfgChange Class Attributes

Name	Module	Object	Type	Section	Access
CISCO-IF-LINK-CONFIG-MIB. cilTargetModuleFramingType	cilConfEntry	cilTargetModuleFr amingType	INTEGER	SNMP	read-create
CISCO-IF-LINK-CONFIG-MIB. cilTargetModuleInterface	cilConfEntry	cilTargetModuleInt erface	CiscoLocation Specifier	SNMP	read-create
CISCO-WAN-TRAP-VARS-MIB .cwTrapCardRole	cwTrapVars	cwTrapCardRole	INTEGER	SNMP	read-only
CISCO-WAN-TRAP-VARS-MIB .cwTrapDisplayString	cwTrapVars	cwTrapDisplayStri ng	DisplayString	SNMP	read-only
CISCO-WAN-TRAP-VARS-MIB .cwTrapIndex	cwTrapVars	cwTrapIndex	Integer32	SNMP	read-only
CISCO-WAN-TRAP-VARS-MIB .cwTrapLineModuleNumber	cwTrapVars	cwTrapLineModule Number	Integer32	SNMP	read-only

Table A-473 cwInterfaceLinkCfgChange Class Attributes (continued)

CISCO-WAN-TRAP-VARS-MIB .cwTrapOctetString	cwTrapVars	cwTrapOctetString	OCTET	SNMP	read-only
CISCO-WAN-TRAP-VARS-MIB .cwTrapPhysicalContainer	cwTrapVars	cwTrapPhysicalCo ntainer	INTEGER	SNMP	read-only
CISCO-WAN-TRAP-VARS-MIB .cwTrapPhysicalUnit	cwTrapVars	cwTrapPhysicalUni t	INTEGER	SNMP	read-only
CISCO-WAN-TRAP-VARS-MIB .cwTrapPhysicalVendorType	cwTrapVars	cwTrapPhysicalVen dorType	AutonomousTy pe	SNMP	read-only
CISCO-WAN-TRAP-VARS-MIB .cwTrapSctCardType	cwTrapVars	cwTrapSctCardTyp e	INTEGER	SNMP	read-only
CISCO-WAN-TRAP-VARS-MIB .cwTrapSctId	cwTrapVars	cwTrapSctId	Unsigned32	SNMP	read-only
CISCO-WAN-TRAP-VARS-MIB .cwTrapSctMajorVersion	cwTrapVars	cwTrapSctMajorVe rsion	Unsigned32	SNMP	read-only
CISCO-WAN-TRAP-VARS-MIB .cwTrapSctType	cwTrapVars	cwTrapSctType	INTEGER	SNMP	read-only
CISCO-WAN-TRAP-VARS-MIB .cwTrapSlotNumber	cwTrapVars	cwTrapSlotNumber	Integer32	SNMP	read-only
IF-MIB.ifIndex	ifEntry	ifIndex	InterfaceIndex	SNMP, LocalDB	read-only
IF-MIB.ifName	ifXEntry	ifName	DisplayString	SNMP	read-only
IF-MIB.ifType	ifEntry	ifType	IANAifType	SNMP	read-only

cwBERTStart Class

Table A-474 cwBERTStart Class Attributes

Name	Module	Object	Type	Section	Access
IF-MIB.ifIndex	ifEntry	ifIndex	InterfaceIndex	SNMP, LocalDB	read-only
IF-MIB.ifName	ifXEntry	ifName	DisplayString	SNMP	read-only
IF-MIB.ifType	ifEntry	ifType	IANAifType	SNMP	read-only

cwBERTEnd Class

Table A-475 cwBERTEnd Class Attributes

Name	Module	Object	Type	Section	Access
IF-MIB.ifIndex	ifEntry	ifIndex	InterfaceIndex	SNMP, LocalDB	read-only
IF-MIB.ifName	ifXEntry	ifName	DisplayString	SNMP	read-only
IF-MIB.ifType	ifEntry	ifType	IANAifType	SNMP	read-only

cwBERTAbort Class

Table A-476 cwBERTAbort Class Attributes

Name	Module	Object	Type	Section	Access
IF-MIB.ifIndex	ifEntry	ifIndex	InterfaceIndex	SNMP, LocalDB	read-only
IF-MIB.ifName	ifXEntry	ifName	DisplayString	SNMP	read-only
IF-MIB.ifType	ifEntry	ifType	IANAifType	SNMP	read-only

cwEthernetUp Class

Table A-477 cwEthernetUp Class Attributes

Name	Module	Object	Type	Section	Access
ENTITY-MIB.entPhysicalContainedIn	entPhysicalEntry	entPhysicalContainedIn	INTEGER	SNMP	read-only
ENTITY-MIB.entPhysicalDescription	entPhysicalEntry	entPhysicalDescription	SnmpAdminString	SNMP	read-only
ENTITY-MIB.entPhysicalParentRelPos	entPhysicalEntry	entPhysicalParentRelPos	INTEGER	SNMP	read-only
ENTITY-MIB.entPhysicalVendorType	entPhysicalEntry	entPhysicalVendorType	AutonomousType	SNMP	read-only
IF-MIB.ifIndex	ifEntry	ifIndex	InterfaceIndex	SNMP, LocalDB	read-only
IF-MIB.ifName	ifXEntry	ifName	DisplayString	SNMP	read-only
IF-MIB.ifType	ifEntry	ifType	IANAifType	SNMP	read-only

cwEthernetDown Class

Table A-478 cwEthernetDown Class Attributes

Name	Module	Object	Type	Section	Access
ENTITY-MIB.entPhysicalContainedIn	entPhysicalEntry	entPhysicalContainedIn	INTEGER	SNMP	read-only
ENTITY-MIB.entPhysicalDescr	entPhysicalEntry	entPhysicalDescr	SnmpAdminString	SNMP	read-only
ENTITY-MIB.entPhysicalParentRelPos	entPhysicalEntry	entPhysicalParentRelPos	INTEGER	SNMP	read-only
ENTITY-MIB.entPhysicalVendorType	entPhysicalEntry	entPhysicalVendorType	AutonomousType	SNMP	read-only
IF-MIB.ifIndex	ifEntry	ifIndex	InterfaceIndex	SNMP, LocalDB	read-only
IF-MIB.ifName	ifXEntry	ifName	DisplayString	SNMP	read-only
IF-MIB.ifType	ifEntry	ifType	IANAifType	SNMP	read-only

cwEthernetConfigChange Class

Table A-479 cwEthernetConfigChange Class Attributes

Name	Module	Object	Type	Section	Access
ENTITY-MIB.entPhysicalContainedIn	entPhysicalEntry	entPhysicalContainedIn	INTEGER	SNMP	read-only
ENTITY-MIB.entPhysicalDescr	entPhysicalEntry	entPhysicalDescr	SnmpAdminString	SNMP	read-only
ENTITY-MIB.entPhysicalParentRelPos	entPhysicalEntry	entPhysicalParentRelPos	INTEGER	SNMP	read-only
ENTITY-MIB.entPhysicalVendorType	entPhysicalEntry	entPhysicalVendorType	AutonomousType	SNMP	read-only
IF-MIB.ifIndex	ifEntry	ifIndex	InterfaceIndex	SNMP, LocalDB	read-only
IF-MIB.ifName	ifXEntry	ifName	DisplayString	SNMP	read-only
IF-MIB.ifType	ifEntry	ifType	IANAifType	SNMP	read-only

cwlmaGrpAdd Class

Table A-480 *cwlmaGrpAdd Class Attributes*

Name	Module	Object	Type	Section	Access
ENTITY-MIB.entPhysicalContainedIn	entPhysicalEntry	entPhysicalContainedIn	INTEGER	SNMP	read-only
ENTITY-MIB.entPhysicalDescr	entPhysicalEntry	entPhysicalDescr	SnmpAdminString	SNMP	read-only
ENTITY-MIB.entPhysicalParentRelPos	entPhysicalEntry	entPhysicalParentRelPos	INTEGER	SNMP	read-only
ENTITY-MIB.entPhysicalVendorType	entPhysicalEntry	entPhysicalVendorType	AutonomousType	SNMP	read-only
IF-MIB.ifIndex	ifEntry	ifIndex	InterfaceIndex	SNMP, LocalDB	read-only
IF-MIB.ifName	ifXEntry	ifName	DisplayString	SNMP	read-only
IF-MIB.ifType	ifEntry	ifType	IANAifType	SNMP	read-only

cwlmaGrpDelete Class

Table A-481 *cwlmaGrpDelete Class Attributes*

Name	Module	Object	Type	Section	Access
ENTITY-MIB.entPhysicalContainedIn	entPhysicalEntry	entPhysicalContainedIn	INTEGER	SNMP	read-only
ENTITY-MIB.entPhysicalDescr	entPhysicalEntry	entPhysicalDescr	SnmpAdminString	SNMP	read-only
ENTITY-MIB.entPhysicalParentRelPos	entPhysicalEntry	entPhysicalParentRelPos	INTEGER	SNMP	read-only
ENTITY-MIB.entPhysicalVendorType	entPhysicalEntry	entPhysicalVendorType	AutonomousType	SNMP	read-only
IF-MIB.ifIndex	ifEntry	ifIndex	InterfaceIndex	SNMP, LocalDB	read-only
IF-MIB.ifName	ifXEntry	ifName	DisplayString	SNMP	read-only
IF-MIB.ifType	ifEntry	ifType	IANAifType	SNMP	read-only

cwImaGrpUp Class

Table A-482 cwImaGrpUp Class Attributes

Name	Module	Object	Type	Section	Access
ENTITY-MIB.entPhysicalContainedIn	entPhysicalEntry	entPhysicalContainedIn	INTEGER	SNMP	read-only
ENTITY-MIB.entPhysicalDescr	entPhysicalEntry	entPhysicalDescr	SnmpAdminString	SNMP	read-only
ENTITY-MIB.entPhysicalParentRelPos	entPhysicalEntry	entPhysicalParentRelPos	INTEGER	SNMP	read-only
ENTITY-MIB.entPhysicalVendorType	entPhysicalEntry	entPhysicalVendorType	AutonomousType	SNMP	read-only
IF-MIB.ifIndex	ifEntry	ifIndex	InterfaceIndex	SNMP, LocalDB	read-only
IF-MIB.ifName	ifXEntry	ifName	DisplayString	SNMP	read-only
IF-MIB.ifType	ifEntry	ifType	IANAifType	SNMP	read-only

cwImaGrpDown Class

Table A-483 cwImaGrpDown Class Attributes

Name	Module	Object	Type	Section	Access
ENTITY-MIB.entPhysicalContainedIn	entPhysicalEntry	entPhysicalContainedIn	INTEGER	SNMP	read-only
ENTITY-MIB.entPhysicalDescr	entPhysicalEntry	entPhysicalDescr	SnmpAdminString	SNMP	read-only
ENTITY-MIB.entPhysicalParentRelPos	entPhysicalEntry	entPhysicalParentRelPos	INTEGER	SNMP	read-only
ENTITY-MIB.entPhysicalVendorType	entPhysicalEntry	entPhysicalVendorType	AutonomousType	SNMP	read-only
IF-MIB.ifIndex	ifEntry	ifIndex	InterfaceIndex	SNMP, LocalDB	read-only
IF-MIB.ifName	ifXEntry	ifName	DisplayString	SNMP	read-only
IF-MIB.ifType	ifEntry	ifType	IANAifType	SNMP	read-only

cwlmaGrpConfigChange Class

Table A-484 *cwlmaGrpConfigChange Class Attributes*

Name	Module	Object	Type	Section	Access
ENTITY-MIB.entPhysicalContainedIn	entPhysicalEntry	entPhysicalContainedIn	INTEGER	SNMP	read-only
ENTITY-MIB.entPhysicalDescr	entPhysicalEntry	entPhysicalDescr	SnmpAdminString	SNMP	read-only
ENTITY-MIB.entPhysicalParentRelPos	entPhysicalEntry	entPhysicalParentRelPos	INTEGER	SNMP	read-only
ENTITY-MIB.entPhysicalVendorType	entPhysicalEntry	entPhysicalVendorType	AutonomousType	SNMP	read-only
IF-MIB.ifIndex	ifEntry	ifIndex	InterfaceIndex	SNMP, LocalDB	read-only
IF-MIB.ifName	ifXEntry	ifName	DisplayString	SNMP	read-only
IF-MIB.ifType	ifEntry	ifType	IANAifType	SNMP	read-only

cwlmaLinkAdd Class

Table A-485 *cwlmaLinkAdd Class Attributes*

Name	Module	Object	Type	Section	Access
ENTITY-MIB.entPhysicalContainedIn	entPhysicalEntry	entPhysicalContainedIn	INTEGER	SNMP	read-only
ENTITY-MIB.entPhysicalDescr	entPhysicalEntry	entPhysicalDescr	SnmpAdminString	SNMP	read-only
ENTITY-MIB.entPhysicalParentRelPos	entPhysicalEntry	entPhysicalParentRelPos	INTEGER	SNMP	read-only
ENTITY-MIB.entPhysicalVendorType	entPhysicalEntry	entPhysicalVendorType	AutonomousType	SNMP	read-only
IF-MIB.ifIndex	ifEntry	ifIndex	InterfaceIndex	SNMP, LocalDB	read-only
IF-MIB.ifName	ifXEntry	ifName	DisplayString	SNMP	read-only
IF-MIB.ifType	ifEntry	ifType	IANAifType	SNMP	read-only
IMA-MIB.imaGroupFailureStatus	imaGroupEntry	imaGroupFailureStatus	ImaGroupFailureStatus	SNMP	read-only
IMA-MIB.imaGroupIfIndex	imaGroupEntry	imaGroupIfIndex	InterfaceIndex	SNMP	read-only
IMA-MIB.imaGroupNumTxActLinks	imaGroupEntry	imaGroupNumTxActLinks	Gauge32	SNMP	read-only

cwImaLinkDelete Class

Table A-486 cwImaLinkDelete Class Attributes

Name	Module	Object	Type	Section	Access
ENTITY-MIB.entPhysicalContainedIn	entPhysicalEntry	entPhysicalContainedIn	INTEGER	SNMP	read-only
ENTITY-MIB.entPhysicalDescr	entPhysicalEntry	entPhysicalDescr	SnmpAdminString	SNMP	read-only
ENTITY-MIB.entPhysicalParentRelPos	entPhysicalEntry	entPhysicalParentRelPos	INTEGER	SNMP	read-only
ENTITY-MIB.entPhysicalVendorType	entPhysicalEntry	entPhysicalVendorType	AutonomousType	SNMP	read-only
IF-MIB.ifIndex	ifEntry	ifIndex	InterfaceIndex	SNMP, LocalDB	read-only
IF-MIB.ifName	ifXEntry	ifName	DisplayString	SNMP	read-only
IF-MIB.ifType	ifEntry	ifType	IANAifType	SNMP	read-only
IMA-MIB.imaGroupFailureStatus	imaGroupEntry	imaGroupFailureStatus	ImaGroupFailureStatus	SNMP	read-only
IMA-MIB.imaGroupIfIndex	imaGroupEntry	imaGroupIfIndex	InterfaceIndex	SNMP	read-only
IMA-MIB.imaGroupNumTxActLinks	imaGroupEntry	imaGroupNumTxActLinks	Gauge32	SNMP	read-only

cwImaLinkConfigChange Class

Table A-487 cwImaLinkConfigChange Class Attributes

Name	Module	Object	Type	Section	Access
ENTITY-MIB.entPhysicalContainedIn	entPhysicalEntry	entPhysicalContainedIn	INTEGER	SNMP	read-only
ENTITY-MIB.entPhysicalDescr	entPhysicalEntry	entPhysicalDescr	SnmpAdminString	SNMP	read-only
ENTITY-MIB.entPhysicalParentRelPos	entPhysicalEntry	entPhysicalParentRelPos	INTEGER	SNMP	read-only
ENTITY-MIB.entPhysicalVendorType	entPhysicalEntry	entPhysicalVendorType	AutonomousType	SNMP	read-only
IF-MIB.ifIndex	ifEntry	ifIndex	InterfaceIndex	SNMP, LocalDB	read-only
IF-MIB.ifName	ifXEntry	ifName	DisplayString	SNMP	read-only
IF-MIB.ifType	ifEntry	ifType	IANAifType	SNMP	read-only

Table A-487 *cwlmaLinkConfigChange Class Attributes (continued)*

IMA-MIB.imaGroupFailureStatus	imaGroupEntry	imaGroupFailureStatus	ImaGroupFailureStatus	SNMP	read-only
IMA-MIB.imaGroupIfIndex	imaGroupEntry	imaGroupIfIndex	InterfaceIndex	SNMP	read-only
IMA-MIB.imaGroupNumTxActLinks	imaGroupEntry	imaGroupNumTxActLinks	Gauge32	SNMP	read-only

cwlmaGrpAlarm Class

Table A-488 *cwlmaGrpAlarm Class Attributes*

Name	Module	Object	Type	Section	Access
CISCO-IMA-MIB.cimaGrpAlarmType	ciscoImaMIBObjects	cimaGrpAlarmType	CiscoImaGrpAlarmType	SNMP	read-only
CISCO-IMA-MIB.cimaLinkAlarmType	ciscoImaMIBObjects	cimaLinkAlarmType	CiscoImaLinkAlarmType	SNMP	read-only
ENTITY-MIB.entPhysicalContainedIn	entPhysicalEntry	entPhysicalContainedIn	INTEGER	SNMP	read-only
ENTITY-MIB.entPhysicalDescr	entPhysicalEntry	entPhysicalDescr	SnmpAdminString	SNMP	read-only
ENTITY-MIB.entPhysicalParentRelPos	entPhysicalEntry	entPhysicalParentRelPos	INTEGER	SNMP	read-only
ENTITY-MIB.entPhysicalVendorType	entPhysicalEntry	entPhysicalVendorType	AutonomousType	SNMP	read-only
IF-MIB.ifIndex	ifEntry	ifIndex	InterfaceIndex	SNMP, LocalDB	read-only
IF-MIB.ifName	ifXEntry	ifName	DisplayString	SNMP	read-only
IF-MIB.ifType	ifEntry	ifType	IANAifType	SNMP	read-only

cwlmaGrpAlarmCleared Class

Table A-489 *cwlmaGrpAlarmCleared Class Attributes*

Name	Module	Object	Type	Section	Access
ENTITY-MIB.entPhysicalContainedIn	entPhysicalEntry	entPhysicalContainedIn	INTEGER	SNMP	read-only
ENTITY-MIB.entPhysicalDescr	entPhysicalEntry	entPhysicalDescr	SnmpAdminString	SNMP	read-only

Table A-489 *cwImaGrpAlarmCleared Class Attributes (continued)*

ENTITY-MIB.entPhysicalParentRelPos	entPhysicalEntry	entPhysicalParentRelPos	INTEGER	SNMP	read-only
ENTITY-MIB.entPhysicalVendorType	entPhysicalEntry	entPhysicalVendorType	AutonomousType	SNMP	read-only
IF-MIB.ifIndex	ifEntry	ifIndex	InterfaceIndex	SNMP, LocalDB	read-only
IF-MIB.ifName	ifXEntry	ifName	DisplayString	SNMP	read-only
IF-MIB.ifType	ifEntry	ifType	IANAifType	SNMP	read-only

cwImaLinkAlarm Class

Table A-490 *cwImaLinkAlarm Class Attributes*

Name	Module	Object	Type	Section	Access
CISCO-IMA-MIB.cimaGrpAlarmType	ciscoImaMIBObjects	cimaGrpAlarmType	CiscoImaGrpAlarmType	SNMP	read-only
CISCO-IMA-MIB.cimaLinkAlarmType	ciscoImaMIBObjects	cimaLinkAlarmType	CiscoImaLinkAlarmType	SNMP	read-only
ENTITY-MIB.entPhysicalContainedIn	entPhysicalEntry	entPhysicalContainedIn	INTEGER	SNMP	read-only
ENTITY-MIB.entPhysicalDescr	entPhysicalEntry	entPhysicalDescr	SnmAdminString	SNMP	read-only
ENTITY-MIB.entPhysicalParentRelPos	entPhysicalEntry	entPhysicalParentRelPos	INTEGER	SNMP	read-only
ENTITY-MIB.entPhysicalVendorType	entPhysicalEntry	entPhysicalVendorType	AutonomousType	SNMP	read-only
IF-MIB.ifIndex	ifEntry	ifIndex	InterfaceIndex	SNMP, LocalDB	read-only
IF-MIB.ifName	ifXEntry	ifName	DisplayString	SNMP	read-only
IF-MIB.ifType	ifEntry	ifType	IANAifType	SNMP	read-only

cwlmaLinkAlarmCleared Class

Table A-491 *cwlmaLinkAlarmCleared Class Attributes*

Name	Module	Object	Type	Section	Access
ENTITY-MIB.entPhysicalContainedIn	entPhysicalEntry	entPhysicalContainedIn	INTEGER	SNMP	read-only
ENTITY-MIB.entPhysicalDescr	entPhysicalEntry	entPhysicalDescr	SnmpAdminString	SNMP	read-only
ENTITY-MIB.entPhysicalParentRelPos	entPhysicalEntry	entPhysicalParentRelPos	INTEGER	SNMP	read-only
ENTITY-MIB.entPhysicalVendorType	entPhysicalEntry	entPhysicalVendorType	AutonomousType	SNMP	read-only
IF-MIB.ifIndex	ifEntry	ifIndex	InterfaceIndex	SNMP, LocalDB	read-only
IF-MIB.ifName	ifXEntry	ifName	DisplayString	SNMP	read-only
IF-MIB.ifType	ifEntry	ifType	IANAifType	SNMP	read-only

cwlmaGrpTXBandwidthChange Class

Table A-492 *cwlmaGrpTXBandwidthChange Class Attributes*

Name	Module	Object	Type	Section	Access
ENTITY-MIB.entPhysicalContainedIn	entPhysicalEntry	entPhysicalContainedIn	INTEGER	SNMP	read-only
ENTITY-MIB.entPhysicalDescr	entPhysicalEntry	entPhysicalDescr	SnmpAdminString	SNMP	read-only
ENTITY-MIB.entPhysicalParentRelPos	entPhysicalEntry	entPhysicalParentRelPos	INTEGER	SNMP	read-only
ENTITY-MIB.entPhysicalVendorType	entPhysicalEntry	entPhysicalVendorType	AutonomousType	SNMP	read-only
IF-MIB.ifIndex	ifEntry	ifIndex	InterfaceIndex	SNMP, LocalDB	read-only
IF-MIB.ifName	ifXEntry	ifName	DisplayString	SNMP	read-only
IF-MIB.ifType	ifEntry	ifType	IANAifType	SNMP	read-only

cimaAlarmGrpGTSMChange Class

Table A-493 *cimaAlarmGrpGTSMChange Class Attributes*

Name	Module	Object	Type	Section	Access
ENTITY-MIB.entPhysicalContainedIn	entPhysicalEntry	entPhysicalContainedIn	INTEGER	SNMP	read-only
ENTITY-MIB.entPhysicalDescr	entPhysicalEntry	entPhysicalDescr	SnmpAdminString	SNMP	read-only
ENTITY-MIB.entPhysicalParentRelPos	entPhysicalEntry	entPhysicalParentRelPos	INTEGER	SNMP	read-only
ENTITY-MIB.entPhysicalVendorType	entPhysicalEntry	entPhysicalVendorType	AutonomousType	SNMP	read-only
IF-MIB.ifIndex	ifEntry	ifIndex	InterfaceIndex	SNMP, LocalDB	read-only
IF-MIB.ifName	ifXEntry	ifName	DisplayString	SNMP	read-only
IF-MIB.ifType	ifEntry	ifType	IANAifType	SNMP	read-only
IMA-MIB.imaGroupFailureStatus	imaGroupEntry	imaGroupFailureStatus	ImaGroupFailureStatus	SNMP	read-only
IMA-MIB.imaGroupIfIndex	imaGroupEntry	imaGroupIfIndex	InterfaceIndex	SNMP	read-only
IMA-MIB.imaGroupNumTxActLinks	imaGroupEntry	imaGroupNumTxActLinks	Gauge32	SNMP	read-only

cwPosInterfaceInAlarm Class

Table A-494 *cwPosInterfaceInAlarm Class Attributes*

Name	Module	Object	Type	Section	Access
ENTITY-MIB.entPhysicalContainedIn	entPhysicalEntry	entPhysicalContainedIn	INTEGER	SNMP	read-only
ENTITY-MIB.entPhysicalDescr	entPhysicalEntry	entPhysicalDescr	SnmpAdminString	SNMP	read-only
ENTITY-MIB.entPhysicalParentRelPos	entPhysicalEntry	entPhysicalParentRelPos	INTEGER	SNMP	read-only
ENTITY-MIB.entPhysicalVendorType	entPhysicalEntry	entPhysicalVendorType	AutonomousType	SNMP	read-only
IF-MIB.ifIndex	ifEntry	ifIndex	InterfaceIndex	SNMP, LocalDB	read-only
IF-MIB.ifName	ifXEntry	ifName	DisplayString	SNMP	read-only
IF-MIB.ifType	ifEntry	ifType	IANAifType	SNMP	read-only

cwPosInterfaceInNoAlarm Class

Table A-495 cwPosInterfaceInNoAlarm Class Attributes

Name	Module	Object	Type	Section	Access
ENTITY-MIB.entPhysicalContainedIn	entPhysicalEntry	entPhysicalContainedIn	INTEGER	SNMP	read-only
ENTITY-MIB.entPhysicalDescr	entPhysicalEntry	entPhysicalDescr	SnmpAdminString	SNMP	read-only
ENTITY-MIB.entPhysicalParentRelPos	entPhysicalEntry	entPhysicalParentRelPos	INTEGER	SNMP	read-only
ENTITY-MIB.entPhysicalVendorType	entPhysicalEntry	entPhysicalVendorType	AutonomousType	SNMP	read-only
IF-MIB.ifIndex	ifEntry	ifIndex	InterfaceIndex	SNMP, LocalDB	read-only
IF-MIB.ifName	ifXEntry	ifName	DisplayString	SNMP	read-only
IF-MIB.ifType	ifEntry	ifType	IANAifType	SNMP	read-only

cwPosInterfaceUp Class

Table A-496 cwPosInterfaceUp Class Attributes

Name	Module	Object	Type	Section	Access
ENTITY-MIB.entPhysicalContainedIn	entPhysicalEntry	entPhysicalContainedIn	INTEGER	SNMP	read-only
ENTITY-MIB.entPhysicalDescr	entPhysicalEntry	entPhysicalDescr	SnmpAdminString	SNMP	read-only
ENTITY-MIB.entPhysicalParentRelPos	entPhysicalEntry	entPhysicalParentRelPos	INTEGER	SNMP	read-only
ENTITY-MIB.entPhysicalVendorType	entPhysicalEntry	entPhysicalVendorType	AutonomousType	SNMP	read-only
IF-MIB.ifIndex	ifEntry	ifIndex	InterfaceIndex	SNMP, LocalDB	read-only
IF-MIB.ifName	ifXEntry	ifName	DisplayString	SNMP	read-only
IF-MIB.ifType	ifEntry	ifType	IANAifType	SNMP	read-only

cwPosInterfaceDown Class

Table A-497 cwPosInterfaceDown Class Attributes

Name	Module	Object	Type	Section	Access
ENTITY-MIB.entPhysicalContainedIn	entPhysicalEntry	entPhysicalContainedIn	INTEGER	SNMP	read-only
ENTITY-MIB.entPhysicalDescr	entPhysicalEntry	entPhysicalDescr	SnmpAdminString	SNMP	read-only
ENTITY-MIB.entPhysicalParentRelPos	entPhysicalEntry	entPhysicalParentRelPos	INTEGER	SNMP	read-only
ENTITY-MIB.entPhysicalVendorType	entPhysicalEntry	entPhysicalVendorType	AutonomousType	SNMP	read-only
IF-MIB.ifIndex	ifEntry	ifIndex	InterfaceIndex	SNMP, LocalDB	read-only
IF-MIB.ifName	ifXEntry	ifName	DisplayString	SNMP	read-only
IF-MIB.ifType	ifEntry	ifType	IANAifType	SNMP	read-only

cwPosInterfaceConfigChange Class

Table A-498 cwPosInterfaceConfigChange Class Attributes

Name	Module	Object	Type	Section	Access
ENTITY-MIB.entPhysicalContainedIn	entPhysicalEntry	entPhysicalContainedIn	INTEGER	SNMP	read-only
ENTITY-MIB.entPhysicalDescr	entPhysicalEntry	entPhysicalDescr	SnmpAdminString	SNMP	read-only
ENTITY-MIB.entPhysicalParentRelPos	entPhysicalEntry	entPhysicalParentRelPos	INTEGER	SNMP	read-only
ENTITY-MIB.entPhysicalVendorType	entPhysicalEntry	entPhysicalVendorType	AutonomousType	SNMP	read-only
IF-MIB.ifIndex	ifEntry	ifIndex	InterfaceIndex	SNMP, LocalDB	read-only
IF-MIB.ifName	ifXEntry	ifName	DisplayString	SNMP	read-only
IF-MIB.ifType	ifEntry	ifType	IANAifType	SNMP	read-only

cwCardRoleSwap Class

Table A-499 cwCardRoleSwap Class Attributes

Name	Module	Object	Type	Section	Access
CISCO-WAN-TRAP-VARS-MIB .cwTrapCardRole	cwTrapVars	cwTrapCardRole	INTEGER	SNMP	read-only
CISCO-WAN-TRAP-VARS-MIB .cwTrapDisplayString	cwTrapVars	cwTrapDisplayString	DisplayString	SNMP	read-only
CISCO-WAN-TRAP-VARS-MIB .cwTrapIndex	cwTrapVars	cwTrapIndex	Integer32	SNMP	read-only
CISCO-WAN-TRAP-VARS-MIB .cwTrapLineModuleNumber	cwTrapVars	cwTrapLineModuleNumber	Integer32	SNMP	read-only
CISCO-WAN-TRAP-VARS-MIB .cwTrapOctetString	cwTrapVars	cwTrapOctetString	OCTET	SNMP	read-only
CISCO-WAN-TRAP-VARS-MIB .cwTrapPhysicalContainer	cwTrapVars	cwTrapPhysicalContainer	INTEGER	SNMP	read-only
CISCO-WAN-TRAP-VARS-MIB .cwTrapPhysicalUnit	cwTrapVars	cwTrapPhysicalUnit	INTEGER	SNMP	read-only
CISCO-WAN-TRAP-VARS-MIB .cwTrapPhysicalVendorType	cwTrapVars	cwTrapPhysicalVendorType	AutonomousType	SNMP	read-only
CISCO-WAN-TRAP-VARS-MIB .cwTrapSctCardType	cwTrapVars	cwTrapSctCardType	INTEGER	SNMP	read-only
CISCO-WAN-TRAP-VARS-MIB .cwTrapSctId	cwTrapVars	cwTrapSctId	Unsigned32	SNMP	read-only
CISCO-WAN-TRAP-VARS-MIB .cwTrapSctMajorVersion	cwTrapVars	cwTrapSctMajorVersion	Unsigned32	SNMP	read-only
CISCO-WAN-TRAP-VARS-MIB .cwTrapSctType	cwTrapVars	cwTrapSctType	INTEGER	SNMP	read-only
CISCO-WAN-TRAP-VARS-MIB .cwTrapSlotNumber	cwTrapVars	cwTrapSlotNumber	Integer32	SNMP	read-only

cwnActiveClock Class

Table A-500 cwnActiveClock Class Attributes

Name	Module	Object	Type	Section	Access
CISCO-WAN-NCDP-MIB.cwnClockSourceDesc	cwnClockSourceEntry	cwnClockSourceDesc	DisplayString	SNMP	read-only
CISCO-WAN-NCDP-MIB.cwnDistributionMethod	cwnGlobal	cwnDistributionMethod	INTEGER	SNMP	read-write

Table A-500 *cwnActiveClock Class Attributes (continued)*

CISCO-WAN-NCDP-MIB.cwnManualSourceIndex	cwnManualSourceEntry	cwnManualSourceIndex	ClockSourceIndex	SNMP	read-create
CISCO-WAN-NCDP-MIB.cwnRootClockSource	cwnGlobal	cwnRootClockSource	ClockSourceIndex	SNMP	read-only

cwnManualClockSourceConfigured Class

Table A-501 *cwnManualClockSourceConfigured Class Attributes*

Name	Module	Object	Type	Section	Access
CISCO-WAN-NCDP-MIB.cwnClockSourceDesc	cwnClockSourceEntry	cwnClockSourceDesc	DisplayString	SNMP	read-only
CISCO-WAN-NCDP-MIB.cwnDistributionMethod	cwnGlobal	cwnDistributionMethod	INTEGER	SNMP	read-write
CISCO-WAN-NCDP-MIB.cwnManualSourceIndex	cwnManualSourceEntry	cwnManualSourceIndex	ClockSourceIndex	SNMP	read-create
CISCO-WAN-NCDP-MIB.cwnRootClockSource	cwnGlobal	cwnRootClockSource	ClockSourceIndex	SNMP	read-only

cwnClockSourceConfigured Class

Table A-502 *cwnClockSourceConfigured Class Attributes*

Name	Module	Object	Type	Section	Access
CISCO-WAN-NCDP-MIB.cwnClockSourceDesc	cwnClockSourceEntry	cwnClockSourceDesc	DisplayString	SNMP	read-only
CISCO-WAN-NCDP-MIB.cwnDistributionMethod	cwnGlobal	cwnDistributionMethod	INTEGER	SNMP	read-write
CISCO-WAN-NCDP-MIB.cwnManualSourceIndex	cwnManualSourceEntry	cwnManualSourceIndex	ClockSourceIndex	SNMP	read-create
CISCO-WAN-NCDP-MIB.cwnRootClockSource	cwnGlobal	cwnRootClockSource	ClockSourceIndex	SNMP	read-only
CISCO-WAN-TRAP-VARS-MIB.cwTrapCardRole	cwTrapVars	cwTrapCardRole	INTEGER	SNMP	read-only
CISCO-WAN-TRAP-VARS-MIB.cwTrapDisplayString	cwTrapVars	cwTrapDisplayString	DisplayString	SNMP	read-only
CISCO-WAN-TRAP-VARS-MIB.cwTrapIndex	cwTrapVars	cwTrapIndex	Integer32	SNMP	read-only

Table A-502 cwnClockSourceConfigured Class Attributes (continued)

CISCO-WAN-TRAP-VARS-MIB .cwTrapLineModuleNumber	cwTrapVars	cwTrapLineModule Number	Integer32	SNMP	read-only
CISCO-WAN-TRAP-VARS-MIB .cwTrapOctetString	cwTrapVars	cwTrapOctetString	OCTET	SNMP	read-only
CISCO-WAN-TRAP-VARS-MIB .cwTrapPhysicalContainer	cwTrapVars	cwTrapPhysicalCo ntainer	INTEGER	SNMP	read-only
CISCO-WAN-TRAP-VARS-MIB .cwTrapPhysicalUnit	cwTrapVars	cwTrapPhysicalUni t	INTEGER	SNMP	read-only
CISCO-WAN-TRAP-VARS-MIB .cwTrapPhysicalVendorType	cwTrapVars	cwTrapPhysicalVen dorType	AutonomousTy pe	SNMP	read-only
CISCO-WAN-TRAP-VARS-MIB .cwTrapSctCardType	cwTrapVars	cwTrapSctCardTyp e	INTEGER	SNMP	read-only
CISCO-WAN-TRAP-VARS-MIB .cwTrapSctId	cwTrapVars	cwTrapSctId	Unsigned32	SNMP	read-only
CISCO-WAN-TRAP-VARS-MIB .cwTrapSctMajorVersion	cwTrapVars	cwTrapSctMajorVe rsion	Unsigned32	SNMP	read-only
CISCO-WAN-TRAP-VARS-MIB .cwTrapSctType	cwTrapVars	cwTrapSctType	INTEGER	SNMP	read-only
CISCO-WAN-TRAP-VARS-MIB .cwTrapSlotNumber	cwTrapVars	cwTrapSlotNumber	Integer32	SNMP	read-only

cwnClockSourceFailed Class

Table A-503 cwnClockSourceFailed Class Attributes

Name	Module	Object	Type	Section	Access
CISCO-WAN-NCDP-MIB.cwnC lockSourceDesc	cwnClockSourceEn try	cwnClockSourceD esc	DisplayString	SNMP	read-only
CISCO-WAN-NCDP-MIB.cwnD istributionMethod	cwnGlobal	cwnDistributionMe thod	INTEGER	SNMP	read-write
CISCO-WAN-NCDP-MIB.cwnM anualSourceIndex	cwnManualSource Entry	cwnManualSourceI ndex	ClockSourceIn dex	SNMP	read-create
CISCO-WAN-NCDP-MIB.cwnR ootClockSource	cwnGlobal	cwnRootClockSou rce	ClockSourceIn dex	SNMP	read-only
CISCO-WAN-TRAP-VARS-MIB .cwTrapCardRole	cwTrapVars	cwTrapCardRole	INTEGER	SNMP	read-only
CISCO-WAN-TRAP-VARS-MIB .cwTrapDisplayString	cwTrapVars	cwTrapDisplayStri ng	DisplayString	SNMP	read-only
CISCO-WAN-TRAP-VARS-MIB .cwTrapIndex	cwTrapVars	cwTrapIndex	Integer32	SNMP	read-only

Table A-503 *cwnClockSourceFailed Class Attributes (continued)*

CISCO-WAN-TRAP-VARS-MIB .cwTrapLineModuleNumber	cwTrapVars	cwTrapLineModuleNumber	Integer32	SNMP	read-only
CISCO-WAN-TRAP-VARS-MIB .cwTrapOctetString	cwTrapVars	cwTrapOctetString	OCTET	SNMP	read-only
CISCO-WAN-TRAP-VARS-MIB .cwTrapPhysicalContainer	cwTrapVars	cwTrapPhysicalContainer	INTEGER	SNMP	read-only
CISCO-WAN-TRAP-VARS-MIB .cwTrapPhysicalUnit	cwTrapVars	cwTrapPhysicalUnit	INTEGER	SNMP	read-only
CISCO-WAN-TRAP-VARS-MIB .cwTrapPhysicalVendorType	cwTrapVars	cwTrapPhysicalVendorType	AutonomousType	SNMP	read-only
CISCO-WAN-TRAP-VARS-MIB .cwTrapSctCardType	cwTrapVars	cwTrapSctCardType	INTEGER	SNMP	read-only
CISCO-WAN-TRAP-VARS-MIB .cwTrapSctId	cwTrapVars	cwTrapSctId	Unsigned32	SNMP	read-only
CISCO-WAN-TRAP-VARS-MIB .cwTrapSctMajorVersion	cwTrapVars	cwTrapSctMajorVersion	Unsigned32	SNMP	read-only
CISCO-WAN-TRAP-VARS-MIB .cwTrapSctType	cwTrapVars	cwTrapSctType	INTEGER	SNMP	read-only
CISCO-WAN-TRAP-VARS-MIB .cwTrapSlotNumber	cwTrapVars	cwTrapSlotNumber	Integer32	SNMP	read-only

cwnClockSourceOK Class

Table A-504 *cwnClockSourceOK Class Attributes*

Name	Module	Object	Type	Section	Access
CISCO-WAN-NCDP-MIB.cwnClockSourceDesc	cwnClockSourceEntry	cwnClockSourceDesc	DisplayString	SNMP	read-only
CISCO-WAN-NCDP-MIB.cwnDistributionMethod	cwnGlobal	cwnDistributionMethod	INTEGER	SNMP	read-write
CISCO-WAN-NCDP-MIB.cwnManualSourceIndex	cwnManualSourceEntry	cwnManualSourceIndex	ClockSourceIndex	SNMP	read-create
CISCO-WAN-NCDP-MIB.cwnRootClockSource	cwnGlobal	cwnRootClockSource	ClockSourceIndex	SNMP	read-only
CISCO-WAN-TRAP-VARS-MIB .cwTrapCardRole	cwTrapVars	cwTrapCardRole	INTEGER	SNMP	read-only
CISCO-WAN-TRAP-VARS-MIB .cwTrapDisplayString	cwTrapVars	cwTrapDisplayString	DisplayString	SNMP	read-only
CISCO-WAN-TRAP-VARS-MIB .cwTrapIndex	cwTrapVars	cwTrapIndex	Integer32	SNMP	read-only

Table A-504 *cwnClockSourceOK Class Attributes (continued)*

CISCO-WAN-TRAP-VARS-MIB .cwTrapLineModuleNumber	cwTrapVars	cwTrapLineModule Number	Integer32	SNMP	read-only
CISCO-WAN-TRAP-VARS-MIB .cwTrapOctetString	cwTrapVars	cwTrapOctetString	OCTET	SNMP	read-only
CISCO-WAN-TRAP-VARS-MIB .cwTrapPhysicalContainer	cwTrapVars	cwTrapPhysicalCo ntainer	INTEGER	SNMP	read-only
CISCO-WAN-TRAP-VARS-MIB .cwTrapPhysicalUnit	cwTrapVars	cwTrapPhysicalUni t	INTEGER	SNMP	read-only
CISCO-WAN-TRAP-VARS-MIB .cwTrapPhysicalVendorType	cwTrapVars	cwTrapPhysicalVen dorType	AutonomousTy pe	SNMP	read-only
CISCO-WAN-TRAP-VARS-MIB .cwTrapSctCardType	cwTrapVars	cwTrapSctCardTyp e	INTEGER	SNMP	read-only
CISCO-WAN-TRAP-VARS-MIB .cwTrapSctId	cwTrapVars	cwTrapSctId	Unsigned32	SNMP	read-only
CISCO-WAN-TRAP-VARS-MIB .cwTrapSctMajorVersion	cwTrapVars	cwTrapSctMajorVe rsion	Unsigned32	SNMP	read-only
CISCO-WAN-TRAP-VARS-MIB .cwTrapSctType	cwTrapVars	cwTrapSctType	INTEGER	SNMP	read-only
CISCO-WAN-TRAP-VARS-MIB .cwTrapSlotNumber	cwTrapVars	cwTrapSlotNumber	Integer32	SNMP	read-only

cwSCTFileAddInNode Class

Table A-505 *cwSCTFileAddInNode Class Attributes*

Name	Module	Object	Type	Section	Access
CISCO-WAN-SCT-MGMT-MIB. cwSctFileChecksum	cwSctFileMgmtEnt ry	cwSctFileChecksu m	Unsigned32	SNMP	read-create
CISCO-WAN-SCT-MGMT-MIB. cwSctFileDescription	cwSctFileMgmtEnt ry	cwSctFileDescripti on	SnmpAdminSt ring	SNMP	read-create
CISCO-WAN-SCT-MGMT-MIB. cwSctFileMinorVersion	cwSctFileMgmtEnt ry	cwSctFileMinorVer sion	Unsigned32	SNMP	read-only
CISCO-WAN-SCT-MGMT-MIB. cwSctFileName	cwSctFileMgmtEnt ry	cwSctFileName	SnmpAdminSt ring	SNMP	read-only
CISCO-WAN-SCT-MGMT-MIB. cwSctFileOperStatus	cwSctFileMgmtEnt ry	cwSctFileOperStat us	INTEGER	SNMP	read-only
CISCO-WAN-SCT-MGMT-MIB. cwSctFileRowStatus	cwSctFileMgmtEnt ry	cwSctFileRowStatu s	RowStatus	SNMP	read-create
CISCO-WAN-TRAP-VARS-MIB .cwTrapCardRole	cwTrapVars	cwTrapCardRole	INTEGER	SNMP	read-only

Table A-505 cwSCTFileAddInNode Class Attributes (continued)

CISCO-WAN-TRAP-VARS-MIB. .cwTrapDisplayString	cwTrapVars	cwTrapDisplayString	DisplayString	SNMP	read-only
CISCO-WAN-TRAP-VARS-MIB. .cwTrapIndex	cwTrapVars	cwTrapIndex	Integer32	SNMP	read-only
CISCO-WAN-TRAP-VARS-MIB. .cwTrapLineModuleNumber	cwTrapVars	cwTrapLineModuleNumber	Integer32	SNMP	read-only
CISCO-WAN-TRAP-VARS-MIB. .cwTrapOctetString	cwTrapVars	cwTrapOctetString	OCTET	SNMP	read-only
CISCO-WAN-TRAP-VARS-MIB. .cwTrapPhysicalContainer	cwTrapVars	cwTrapPhysicalContainer	INTEGER	SNMP	read-only
CISCO-WAN-TRAP-VARS-MIB. .cwTrapPhysicalUnit	cwTrapVars	cwTrapPhysicalUnit	INTEGER	SNMP	read-only
CISCO-WAN-TRAP-VARS-MIB. .cwTrapPhysicalVendorType	cwTrapVars	cwTrapPhysicalVendorType	AutonomousType	SNMP	read-only
CISCO-WAN-TRAP-VARS-MIB. .cwTrapSctCardType	cwTrapVars	cwTrapSctCardType	INTEGER	SNMP	read-only
CISCO-WAN-TRAP-VARS-MIB. .cwTrapSctId	cwTrapVars	cwTrapSctId	Unsigned32	SNMP	read-only
CISCO-WAN-TRAP-VARS-MIB. .cwTrapSctMajorVersion	cwTrapVars	cwTrapSctMajorVersion	Unsigned32	SNMP	read-only
CISCO-WAN-TRAP-VARS-MIB. .cwTrapSctType	cwTrapVars	cwTrapSctType	INTEGER	SNMP	read-only
CISCO-WAN-TRAP-VARS-MIB. .cwTrapSlotNumber	cwTrapVars	cwTrapSlotNumber	Integer32	SNMP	read-only

cwSCTFileRemoveInNode Class

Table A-506 cwSCTFileRemoveInNode Class Attributes

Name	Module	Object	Type	Section	Access
CISCO-WAN-SCT-MGMT-MIB. cwSctFileChecksum	cwSctFileMgmtEntry	cwSctFileChecksum	Unsigned32	SNMP	read-create
CISCO-WAN-SCT-MGMT-MIB. cwSctFileDescription	cwSctFileMgmtEntry	cwSctFileDescription	SnmpAdminString	SNMP	read-create
CISCO-WAN-SCT-MGMT-MIB. cwSctFileMinorVersion	cwSctFileMgmtEntry	cwSctFileMinorVersion	Unsigned32	SNMP	read-only
CISCO-WAN-SCT-MGMT-MIB. cwSctFileName	cwSctFileMgmtEntry	cwSctFileName	SnmpAdminString	SNMP	read-only
CISCO-WAN-SCT-MGMT-MIB. cwSctFileOperStatus	cwSctFileMgmtEntry	cwSctFileOperStatus	INTEGER	SNMP	read-only

Table A-506 cwSCTFileRemoveInNode Class Attributes (continued)

CISCO-WAN-SCT-MGMT-MIB. cwSctFileRowStatus	cwSctFileMgmtEntry	cwSctFileRowStatus	RowStatus	SNMP	read-create
CISCO-WAN-TRAP-VARS-MIB. .cwTrapCardRole	cwTrapVars	cwTrapCardRole	INTEGER	SNMP	read-only
CISCO-WAN-TRAP-VARS-MIB. .cwTrapDisplayString	cwTrapVars	cwTrapDisplayString	DisplayString	SNMP	read-only
CISCO-WAN-TRAP-VARS-MIB. .cwTrapIndex	cwTrapVars	cwTrapIndex	Integer32	SNMP	read-only
CISCO-WAN-TRAP-VARS-MIB. .cwTrapLineModuleNumber	cwTrapVars	cwTrapLineModuleNumber	Integer32	SNMP	read-only
CISCO-WAN-TRAP-VARS-MIB. .cwTrapOctetString	cwTrapVars	cwTrapOctetString	OCTET	SNMP	read-only
CISCO-WAN-TRAP-VARS-MIB. .cwTrapPhysicalContainer	cwTrapVars	cwTrapPhysicalContainer	INTEGER	SNMP	read-only
CISCO-WAN-TRAP-VARS-MIB. .cwTrapPhysicalUnit	cwTrapVars	cwTrapPhysicalUnit	INTEGER	SNMP	read-only
CISCO-WAN-TRAP-VARS-MIB. .cwTrapPhysicalVendorType	cwTrapVars	cwTrapPhysicalVendorType	AutonomousType	SNMP	read-only
CISCO-WAN-TRAP-VARS-MIB. .cwTrapSctCardType	cwTrapVars	cwTrapSctCardType	INTEGER	SNMP	read-only
CISCO-WAN-TRAP-VARS-MIB. .cwTrapSctId	cwTrapVars	cwTrapSctId	Unsigned32	SNMP	read-only
CISCO-WAN-TRAP-VARS-MIB. .cwTrapSctMajorVersion	cwTrapVars	cwTrapSctMajorVersion	Unsigned32	SNMP	read-only
CISCO-WAN-TRAP-VARS-MIB. .cwTrapSctType	cwTrapVars	cwTrapSctType	INTEGER	SNMP	read-only
CISCO-WAN-TRAP-VARS-MIB. .cwTrapSlotNumber	cwTrapVars	cwTrapSlotNumber	Integer32	SNMP	read-only

cwSCTFileChangeInNode Class

Table A-507 cwSCTFileChangeInNode Class Attributes

Name	Module	Object	Type	Section	Access
CISCO-WAN-SCT-MGMT-MIB. cwSctFileChecksum	cwSctFileMgmtEntry	cwSctFileChecksum	Unsigned32	SNMP	read-create
CISCO-WAN-SCT-MGMT-MIB. cwSctFileDescription	cwSctFileMgmtEntry	cwSctFileDescription	SnmpAdminString	SNMP	read-create
CISCO-WAN-SCT-MGMT-MIB. cwSctFileMinorVersion	cwSctFileMgmtEntry	cwSctFileMinorVersion	Unsigned32	SNMP	read-only

Table A-507 cwSCTFileChangeInNode Class Attributes (continued)

CISCO-WAN-SCT-MGMT-MIB. cwSctFileName	cwSctFileMgmtEnt ry	cwSctFileName	SnmpAdminSt ring	SNMP	read-only
CISCO-WAN-SCT-MGMT-MIB. cwSctFileOperStatus	cwSctFileMgmtEnt ry	cwSctFileOperStat us	INTEGER	SNMP	read-only
CISCO-WAN-SCT-MGMT-MIB. cwSctFileRowStatus	cwSctFileMgmtEnt ry	cwSctFileRowStatu s	RowStatus	SNMP	read-create
CISCO-WAN-TRAP-VARS-MIB .cwTrapCardRole	cwTrapVars	cwTrapCardRole	INTEGER	SNMP	read-only
CISCO-WAN-TRAP-VARS-MIB .cwTrapDisplayString	cwTrapVars	cwTrapDisplayStri ng	DisplayString	SNMP	read-only
CISCO-WAN-TRAP-VARS-MIB .cwTrapIndex	cwTrapVars	cwTrapIndex	Integer32	SNMP	read-only
CISCO-WAN-TRAP-VARS-MIB .cwTrapLineModuleNumber	cwTrapVars	cwTrapLineModule Number	Integer32	SNMP	read-only
CISCO-WAN-TRAP-VARS-MIB .cwTrapOctetString	cwTrapVars	cwTrapOctetString	OCTET	SNMP	read-only
CISCO-WAN-TRAP-VARS-MIB .cwTrapPhysicalContainer	cwTrapVars	cwTrapPhysicalCo ntainer	INTEGER	SNMP	read-only
CISCO-WAN-TRAP-VARS-MIB .cwTrapPhysicalUnit	cwTrapVars	cwTrapPhysicalUni t	INTEGER	SNMP	read-only
CISCO-WAN-TRAP-VARS-MIB .cwTrapPhysicalVendorType	cwTrapVars	cwTrapPhysicalVen dorType	AutonomousTy pe	SNMP	read-only
CISCO-WAN-TRAP-VARS-MIB .cwTrapSctCardType	cwTrapVars	cwTrapSctCardTyp e	INTEGER	SNMP	read-only
CISCO-WAN-TRAP-VARS-MIB .cwTrapSctId	cwTrapVars	cwTrapSctId	Unsigned32	SNMP	read-only
CISCO-WAN-TRAP-VARS-MIB .cwTrapSctMajorVersion	cwTrapVars	cwTrapSctMajorVe rsion	Unsigned32	SNMP	read-only
CISCO-WAN-TRAP-VARS-MIB .cwTrapSctType	cwTrapVars	cwTrapSctType	INTEGER	SNMP	read-only
CISCO-WAN-TRAP-VARS-MIB .cwTrapSlotNumber	cwTrapVars	cwTrapSlotNumber	Integer32	SNMP	read-only

cwSCTFileStatusInNode Class

Table A-508 cwSCTFileStatusInNode Class Attributes

Name	Module	Object	Type	Section	Access
CISCO-WAN-SCT-MGMT-MIB. cwSctFileChecksum	cwSctFileMgmtEnt ry	cwSctFileChecksu m	Unsigned32	SNMP	read-create

Table A-508 cwSCTFileStatusInNode Class Attributes (continued)

CISCO-WAN-SCT-MGMT-MIB. cwSctFileDescription	cwSctFileMgmtEntry	cwSctFileDescription	SnmpAdminString	SNMP	read-create
CISCO-WAN-SCT-MGMT-MIB. cwSctFileMinorVersion	cwSctFileMgmtEntry	cwSctFileMinorVersion	Unsigned32	SNMP	read-only
CISCO-WAN-SCT-MGMT-MIB. cwSctFileName	cwSctFileMgmtEntry	cwSctFileName	SnmpAdminString	SNMP	read-only
CISCO-WAN-SCT-MGMT-MIB. cwSctFileOperStatus	cwSctFileMgmtEntry	cwSctFileOperStatus	INTEGER	SNMP	read-only
CISCO-WAN-SCT-MGMT-MIB. cwSctFileRowStatus	cwSctFileMgmtEntry	cwSctFileRowStatus	RowStatus	SNMP	read-create
CISCO-WAN-TRAP-VARS-MIB. .cwTrapCardRole	cwTrapVars	cwTrapCardRole	INTEGER	SNMP	read-only
CISCO-WAN-TRAP-VARS-MIB. .cwTrapDisplayString	cwTrapVars	cwTrapDisplayString	DisplayString	SNMP	read-only
CISCO-WAN-TRAP-VARS-MIB. .cwTrapIndex	cwTrapVars	cwTrapIndex	Integer32	SNMP	read-only
CISCO-WAN-TRAP-VARS-MIB. .cwTrapLineModuleNumber	cwTrapVars	cwTrapLineModuleNumber	Integer32	SNMP	read-only
CISCO-WAN-TRAP-VARS-MIB. .cwTrapOctetString	cwTrapVars	cwTrapOctetString	OCTET	SNMP	read-only
CISCO-WAN-TRAP-VARS-MIB. .cwTrapPhysicalContainer	cwTrapVars	cwTrapPhysicalContainer	INTEGER	SNMP	read-only
CISCO-WAN-TRAP-VARS-MIB. .cwTrapPhysicalUnit	cwTrapVars	cwTrapPhysicalUnit	INTEGER	SNMP	read-only
CISCO-WAN-TRAP-VARS-MIB. .cwTrapPhysicalVendorType	cwTrapVars	cwTrapPhysicalVendorType	AutonomousType	SNMP	read-only
CISCO-WAN-TRAP-VARS-MIB. .cwTrapSctCardType	cwTrapVars	cwTrapSctCardType	INTEGER	SNMP	read-only
CISCO-WAN-TRAP-VARS-MIB. .cwTrapSctId	cwTrapVars	cwTrapSctId	Unsigned32	SNMP	read-only
CISCO-WAN-TRAP-VARS-MIB. .cwTrapSctMajorVersion	cwTrapVars	cwTrapSctMajorVersion	Unsigned32	SNMP	read-only
CISCO-WAN-TRAP-VARS-MIB. .cwTrapSctType	cwTrapVars	cwTrapSctType	INTEGER	SNMP	read-only
CISCO-WAN-TRAP-VARS-MIB. .cwTrapSlotNumber	cwTrapVars	cwTrapSlotNumber	Integer32	SNMP	read-only



A

- action interfaces, Cisco Media Gateway Manager [6-6](#)
- actions, Cisco Media Gateway Manager [6-8](#)
- architecture, about [1-3](#)
- argument
 - func [3-3](#)
 - inargs [3-3](#)
 - oid [3-3](#)
 - outargs [3-3](#)
 - resultiterator [3-4](#)
- arguments, working with xml [3-8](#)

B

- BULKACTION operation [4-5](#)
- BULKGET operation [4-7](#)
- BULKSET operation [4-8](#)

C

- Cisco Media Gateway Manager
 - action interfaces [6-6](#)
 - actions [6-8](#)
 - interface design [6-7](#)
 - object model [6-2](#)
 - trap handling [6-35](#)
- community string, change [4-2](#)

D

- description, syntax [3-5](#)
- development tools [2-2](#)

E

- example program [3-6](#)
- exceptions, objectaccess [3-5](#)

F

- features [1-2](#)

G

- GET operation [4-2](#)

I

- IDL, object access [3-2](#)
- input arguments, creating [3-8](#)
- interface
 - notification [1-5](#)
 - object access [1-5](#)
- interface design, Cisco Media Gateway Manager [6-7](#)
- interfaces [1-5](#)

M

- method
 - getnext [3-5](#)
 - invoke [3-2](#)

O

- object model
 - access [3-2](#)

object model, Cisco Media Gateway Manager [6-2](#)
oid argument [3-3](#)

P

prerequisite software, install [2-3](#)
process
 notification [1-4](#)
 object access [1-3](#)

Q

QUERY operation [4-10](#)

R

requirements
 platform [2-2](#)
result strings, interpreting [3-10](#)

S

server
 install [2-3](#)
 remove [2-5](#)
 restart [2-4](#)
 test [2-5](#)
SET operation [4-3](#)

T

tasks, installation [2-3](#)
test program
 client [2-5](#)
 consumer [2-6](#)
trap handling, Cisco Media Gateway Manager [6-35](#)

U

UPLOAD operation [4-11](#)
upload strings, about [3-12](#)

X

xml arguments, about [3-8](#)