

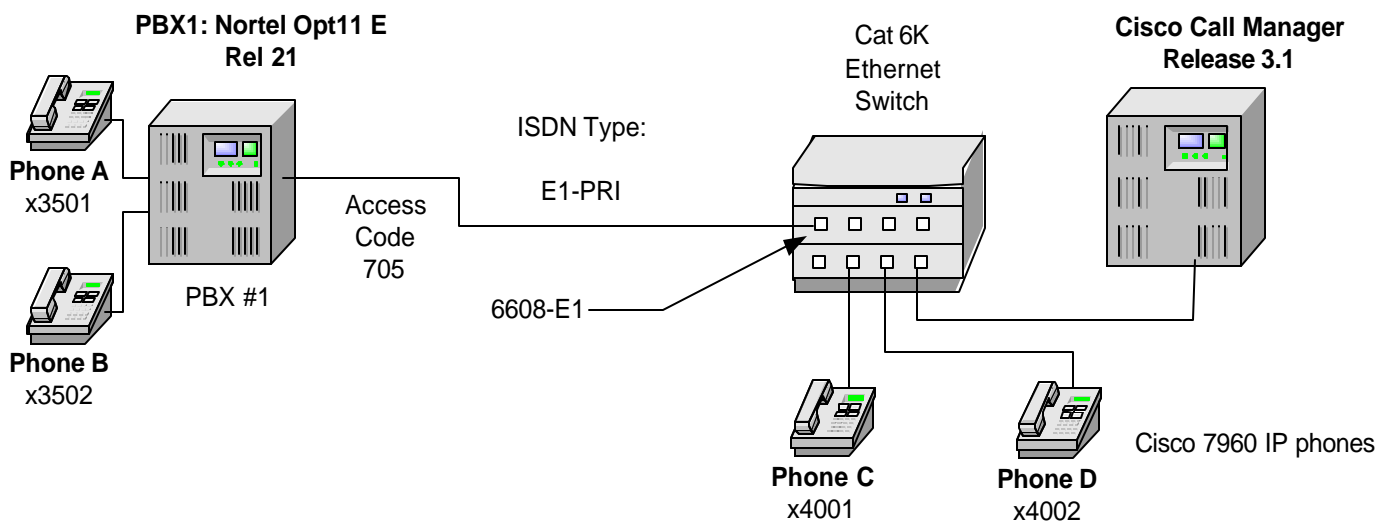
Cisco 6608 – PBX interoperability: Nortel Meridian Option11 E Release 21 PBX with Cisco CallManager using the 6608-E1 PRI EURO Gateway

Introduction

Connectivity is achieved by using the ETSI standard PRI protocol. The Nortel Meridian Opt11 E can be configured as either NETWORK or USER side. The calling/called number feature is supported.

Network Topology

Basic Call Setup End-to-End Configuration



Limitations

- Calling-name delivery and presentation features are not supported by the Nortel PBX as of Release 21. The only switch types that are available on the Nortel PBX with the calling-name delivery/presentation feature are QSIG with GF platform (i.e. ESGF, ISGF and E4GF) and DMS100.
- When calling from a Cisco 7960 IP phone to a Nortel digital phone, the calling/called number is displayed on both phones after the call is answered as usual.



- When calling from a Nortel digital phone to a Cisco 7960 IP phone, the IP phone displays the connected number after the call is answered. The Nortel phone, however, does not get updated when the call is answered. It displays the numbers being dialed instead. (for example, Access Code + extension number). The ISDN protocol analyzer verifies that the Cisco CallManager does not send connected number information in the connect message back to the PBX.

System Components

Hardware Requirements

- Cisco 6608 E1 Port (Gateway)
- Nortel Meridian NTBK50AA, 2 Mb PRI

Software Requirements

- Cisco IOS Software Release 5.5(6a)
- PBX Software Release 21
- Cisco CallManager Release 3.1

Configuration

Configuring the Nortel Meridian Opt11C PBX

Configure in the following sequence:

1. Common Equipment
2. D-Channel
3. Route Data Block
4. Trunk

Configuring Common Equipment

```
>LD 22
```

```
PT2000
```

```
MARP NOT ACTIVATED
```

```
REQ PRT
```

```
TYPE CEQU
```

```
CEQU
```



MPED 8D

SUPL 000 004 008 012

016 032 036 040

048

DDCS 09

DTCS

XCT 000

CONF 029 030 031

DLOP NUM DCH FRM LCMT YALM TRSH

PRI 006 23 ESF B8S FDL 15

PRI2 05

APVL

DTI2

MISP

MTYP 384K

REQ ****

>

Configuring the D-Channel

>LD 22

PT2000

MARP NOT ACTIVATED

REQ PRT

TYPE ADAN DCH 5

ADAN DCH 5



CTYP MSDL
CARD 05
PORT 1
DES EURO
USR PRI
DCHL 5
OTBF 32
PARM RS422 DTE
DRAT 64KC
CLOK EXT
NASA NO
IFC EURO
CNTY ETSI
SIDE NET
CNEG 1
RLS ID **
RCAP ND2
MBGA NO
OVLN NO
OVLS YES
OVLT 0
T310 30
T200 3
T203 10
N200 3
N201 260
K 7

REQ ****
>



Configuring the Route Data Block

>LD 21

PT1000

REQ: PRT

TYPE: RDB

CUST 0

ROUT 105

TYPE RDB

CUST 00

DMOD

ROUT 105

TKTP TIE

ESN NO

RPA NO

CNVT NO

SAT NO

RCLS EXT

DTRK YES

BRIP NO

DGTP PRI2

ISDN YES

MODE PRA

IFC EURO

CNTY ETSI

SBN NO



PNI 00000
NCNA NO
NCRD NO
CTYP UKWN
INAC NO
ISAR NO
TGAR 0
PTYP DTT
AUTO NO
DNIS NO
DCDR NO
ICOG IAO
SRCH RRB
TRMB YES
STEP
ACOD 705
TCPP NO
TARG
BILN NO
OABS
INST
IDC NO
DCNO 0 *
NDNO 0
DEXT NO
SIGO STD
TIMR ICF 1920
OGF 1920
EOD 13952
LCT 256
NRD 10112



DDL 70

ODT 4096

RGV 640

GTO 896

GTI 896

SFB 3

PRPS 800

NBS 2048

NBL 4096

NRAG 30

IENB 5

TFD 0

VSS 0

PAGE 002

VGD 6

DTD NO

SCDT NO

2 DT NO

DRNG NO

CDR NO

NATL YES

SSL

CFWR NO

IDOP NO

VRAT NO



MUS NO
PANS YES
EQAR NO
FRL 0 0
FRL 1 0
FRL 2 0
FRL 3 0
FRL 4 0
FRL 5 0
FRL 6 0
FRL 7 0
OHQ NO
OHQT 00
CBQ NO
AUTH NO
TTBL 0
PLEV 2
ALRM NO
ART 0
PECL NO
DCTI 0
TIDY 705 105
SGRP 0

REQ: ****
>



Configuring the Trunk

>LD 20

PT0000

MARP NOT ACTIVATED

REQ: PRT

TYPE: TNB

TN 5 1

DATE

PAGE

DES

TN 005 01

TYPE TIE

CDEN SD

CUST 0

TRK PRI2

PDCA 1

PCML A

NCOS 0

RTMB 105 1

B-CHANNEL SIGNALING

TGAR 0

CLS UNR DTN WTA LPR APN XREP

P10 VNL



TKID

DATE 1 APR 1993

NACT ****

>

Configuring Cisco CallManager

6608-E1 Gateway Configuration

The screenshot shows the Cisco CallManager Administration web interface. At the top, there is a navigation menu with items: System, Route Plan, Service, Feature, Device, User, Application, and Help. Below the menu is a header banner with the text "Cisco CallManager Administration For Cisco IP Telephony Solutions" and the Cisco Systems logo. The main content area is titled "Gateway Configuration" and includes a link "Back to Find/List Gateways". The configuration details for a gateway are displayed:

- Product : Cisco Catalyst 6000 E1 VoIP Gateway
- Gateway : S0/DS1-0@SDA0001C9D8633E
- Device Protocol: Digital Access PRI
- Registration: Registered with Cisco CallManager 10.1.1.2
- IP Address: [10.1.1.104](#)

The status is "Ready". Below this, there are four buttons: "Update", "Delete", "Reset Gateway", and "Cancel Changes". At the bottom, there are four input fields:

- MAC Address*: 0001C9D8633E
- Description: SDA0001C9D8633E
- Device Pool*: Default
- Media Resource Group List: < None >

The browser's status bar at the bottom shows "Done" and "Local intranet".



Network Hold Audio Source	< None >
User Hold Audio Source	< None >
Calling Search Space	< None >
Location	< None >
Load Information	
Channel Selection Order*	Top Down
PCM Type*	A-law
Protocol Side*	User
Caller ID DN	
Calling Party Selection*	Originator
Channel IE Type*	Use Number when 1B
Interface Identifier Present**	<input type="checkbox"/>
Interface Identifier Value**	0
Display IE Delivery	<input type="checkbox"/>
Redirecting Number IE Delivery	<input checked="" type="checkbox"/>
Delay for first restart (1/8 sec ticks)	32


Local intranet



Delay between restarts (1/8 sec ticks)	<input type="text" value="4"/>
Num Digits*	<input type="text" value="23"/>
Sig Digits	<input checked="" type="checkbox"/>
Prefix DN	<input type="text"/>
Presentation Bit*	<input type="text" value="Allowed"/>
Called party IE number type unknown*	<input type="text" value="Cisco CallManager"/>
Calling party IE number type unknown*	<input type="text" value="Cisco CallManager"/>
Called Numbering Plan*	<input type="text" value="Cisco CallManager"/>
Calling Numbering Plan*	<input type="text" value="Cisco CallManager"/>
PRI Protocol Type*	<input type="text" value="PRI EURO"/>
Inhibit restarts at PRI initialization	<input checked="" type="checkbox"/>
Enable status poll	<input type="checkbox"/>
Number of digits to strip*	<input type="text" value="0"/>
Country Code*	<input type="text" value="North America"/>
Setup non-ISDN Progress Indicator IE Enable***	<input type="checkbox"/>

Local intranet



Product Specific Configuration 

Clock Reference*	<input type="text" value="Network"/>
Framing*	<input type="text" value="CRC4"/>
Audio Signal Adjustment into IP Network*	<input type="text" value="NoDbPadding"/>
Audio Signal Adjustment from IP Network*	<input type="text" value="NoDbPadding"/>
Zero Suppression*	<input type="text" value="HDB3"/>

* indicates required item
** applicable to DMS-100 protocol only
*** may be required to force ringback from some PBXs

[Back to Find/List Gateways](#)

Local intranet



Route Pattern Configuration

System Route Plan Service Feature Device User Application Help

Cisco CallManager Administration
For Cisco IP Telephony Solutions

CISCO SYSTEMS

Route Pattern Configuration

[Add a New Route Pattern](#)
[Back to Find/List Route Patterns](#)

Route Pattern: 6.XXXX
Status: Ready
Note: Any update to this route pattern automatically resets the associated gateway/route list

Copy Update Delete Cancel Changes

Pattern Definition

Route Pattern*	<input type="text" value="6.XXXX"/>
Partition	<input type="text" value=" < None >"/>
Numbering Plan*	<input type="text" value=" North American Numbering Pl:"/>
Route Filter	<input type="text" value=" < None >"/>
Gateway/Route List*	<input type="text" value=" S0/DS1-0@SDA0001C9D8633E"/> (Edit)
Route Option	<input checked="" type="radio"/> Route this pattern <input type="radio"/> Block this pattern

Local intranet



Partition	< None >
Numbering Plan*	North American Numbering Plan
Route Filter	< None >
Gateway/Route List*	S0/DS1-0@SDA0001C9D8633E (Edit)
Route Option	<input checked="" type="radio"/> Route this pattern <input type="radio"/> Block this pattern
<input checked="" type="checkbox"/> Provide Outside Dial Tone	<input type="checkbox"/> Urgent Priority
Calling Party Transformations	
<input type="checkbox"/> Use Calling Party's External Phone Number Mask	
Calling Party Transform Mask	<input type="text"/>
Prefix Digits (Outgoing Calls)	<input type="text"/>
Called Party Transformations	
Discard Digits	PreDot
Called Party Transform Mask	<input type="text"/>
Prefix Digits (Outgoing Calls)	<input type="text"/>

* indicates required item.

Configuring the Catalyst 6000 Switch

NOTE: There is no show running config output in the original EDCS specification.

The Cisco 6608-E1 Gateway with ISDN protocol type setting of **PRI-EURO** supports both protocol sides by selecting "Network/User" in the protocol side field when configuring the Gateway via Cisco CallManager.

The Nortel Meridian Option 11 E, when set to EURO, supports both "USER" and "NETWORK" protocol sides. This USER/NETWORK choice is set on the Nortel by using LD 17.

```
Console> (enable) show version
WS-C6006 Software, Version NmpSW: 5.5(6a)
Copyright (c) 1995-2001 by Cisco Systems
NMP S/W compiled on Feb 23 2001, 10:23:18
```

```
System Bootstrap Version: 5.3(1)
```



Hardware Version: 2.0 Model: WS-C6006 Serial #: TBA04511172

Mod	Port	Model	Serial #	Versions
1	2	WS-X6K-SUP1A-2GE	SAD05010NBK	Hw : 7.0 Fw : 5.3(1) Fw1 : 5.4(2) Sw : 5.5(6a) Sw1 : 5.5(6a)
		WS-F6K-PFC	SAD05020221	Hw : 1.1
3	48	WS-X6348-RJ-45	SAD04420N7B	Hw : 1.4 Fw : 5.4(2) Sw : 5.5(6a)
		WS-F6K-VPWR		Hw : 1.0
4	24	WS-X6624-FXS	SAD050203M8	Hw : 3.0 Fw : 5.4(2) Sw : 5.5(6a) HP : A00203010018; DSP : A003H031 (3.3.
35)				
5	8	WS-X6608-T1	SAD04400EM0	Hw : 1.1 Fw : 5.4(2) Sw : 5.5(6a) HP1 : D00403010017; DSP1 : D005E031 (3.3.
32)				
				HP2 : D00403010025; DSP2 : D005H031 (3.3.
35)				
				HP3 : D00403010025; DSP3 : D005H031 (3.3.
35)				
				HP4 : D00403010025; DSP4 : D005H031 (3.3.



35)

HP5: D00403010025; DSP5: D005H031 (3.3.

35)

HP6: D00403010025; DSP6: D005H031 (3.3.

35)

HP7: D00403010025; DSP7: D005H031 (3.3.

35)

HP8: D00403010025; DSP8: D005H031 (3.3.

35)

6 8 WS-X6608-E1 SAD04380DW1 Hw : 1.1

Fw : 5.4(2)

Sw : 5.5(6a)

HP1: D00403010025; DSP1: D005H031 (3.3.

35)

HP2: D00403010025; DSP2: D005H031 (3.3.

35)

HP3: D00403010025; DSP3: D005H031 (3.3.

35)

HP4: D00403010025; DSP4: D005H031 (3.3.

35)

HP5: D00403010025; DSP5: D005H031 (3.3.

35)

HP6: D00403010025; DSP6: D005H031 (3.3.

35)

HP7: D00403010025; DSP7: D005H031 (3.3.

35)

HP8: D00403010025; DSP8: D005H031 (3.3.

35)

Module	DRAM			FLASH			NVRAM		
	Total	Used	Free	Total	Used	Free	Total	Used	Free



1 65408K 37787K 27621K 16384K 11546K 4838K 512K 198K 314K

Uptime is 142 days, 5 hours, 1 minute

Console> (enable)

Console> (enable) **show module**

Mod	Slot	Ports	Module-Type	Model	Sub	Status
1	1	2	1000BaseX Supervisor	WS-X6K-SUP1A-2GE	yes	ok
3	3	48	10/100BaseTX Ethernet	WS-X6348-RJ-45	yes	ok
4	4	24	FXS	WS-X6624-FXS	no	ok
5	5	8	T1	WS-X6608-T1	no	ok
6	6	8	E1	WS-X6608-E1	no	ok

Mod	Module-Name	Serial-Num
1		SAD05010NBK
3		SAD04420N7B
4		SAD050203M8
5		SAD04400EM0
6		SAD04380DW1

Mod	MAC-Address(es)	Hw	Fw	Sw
1	00-04-c0-f8-42-02 to 00-04-c0-f8-42-03	7.0	5.3(1)	5.5(6a)
	00-04-c0-f8-42-00 to 00-04-c0-f8-42-01			
	00-04-9b-f0-78-00 to 00-04-9b-f0-7b-ff			
3	00-02-fc-20-5e-50 to 00-02-fc-20-5e-7f	1.4	5.4(2)	5.5(6a)



```
4 00-03-32-ba-2e-35          3.0  5.4(2)  5.5(6a)
5 00-01-c9-d9-3a-98 to 00-01-c9-d9-3a-9f 1.1  5.4(2)  5.5(6a)
6 00-01-c9-d8-63-3e to 00-01-c9-d8-63-45 1.1  5.4(2)  5.5(6a)
```

```
Mod Sub-Type          Sub-Model          Sub-Serial  Sub-Hw
-----
1  L3 Switching Engine  WS-F6K-PFC        SAD05020221 1.1
3  Inline Power Module  WS-F6K-VPWR              1.0
Console> (enable)
```

Console> (enable) **show port 6**

```
Port  Name          Status    Vlan    Duplex Speed Type
-----
6/1          connected  1        full  2.048 E1
6/2          notconnect 1        full  2.048 E1
6/3          notconnect 1        full  2.048 E1
6/4          notconnect 1        full  2.048 E1
6/5          notconnect 1        full  2.048 E1
6/6          notconnect 1        full  2.048 E1
6/7          notconnect 1        full  2.048 E1
6/8          notconnect 1        full  2.048 E1
```

```
Port  DHCP    MAC-Address      IP-Address      Subnet-Mask
-----
6/1    enable  00-01-c9-d8-63-3e 10.1.1.104      255.255.255.0
6/2    enable  00-01-c9-d8-63-3f 10.1.1.118      255.255.255.0
6/3    enable  00-01-c9-d8-63-40 10.1.1.123      255.255.255.0
6/4    enable  00-01-c9-d8-63-41 10.1.1.117      255.255.255.0
6/5    enable  00-01-c9-d8-63-42 10.1.1.120      255.255.255.0
6/6    enable  00-01-c9-d8-63-43 10.1.1.121      255.255.255.0
```



```
6/7    enable  00-01-c9-d8-63-44 10.1.1.122    255.255.255.0
6/8    enable  00-01-c9-d8-63-45 10.1.1.124    255.255.255.0
```

Port	Call-Manager(s)	DHCP-Server	TFTP-Server	Gateway
6/1	10.1.1.2	10.1.1.2	10.1.1.2	10.1.1.7
6/2	10.1.1.2	10.1.1.2	10.1.1.2	10.1.1.7
6/3	10.1.1.2	10.1.1.2	10.1.1.2	10.1.1.7
6/4	10.1.1.2	10.1.1.2	10.1.1.2	10.1.1.7
6/5	10.1.1.2	10.1.1.2	10.1.1.2	10.1.1.7
6/6	10.1.1.2	10.1.1.2	10.1.1.2	10.1.1.7
6/7	10.1.1.2	10.1.1.2	10.1.1.2	10.1.1.7
6/8	10.1.1.2	10.1.1.2	10.1.1.2	10.1.1.7

Port	DNS-Server(s)	Domain
6/1	-	-
6/2	-	-
6/3	-	-
6/4	-	-
6/5	-	-
6/6	-	-
6/7	-	-
6/8	-	-

Port	CallManagerState	DSP-Type
6/1	registered	C549
6/2	registered	C549
6/3	registered	C549
6/4	registered	C549
6/5	registered	C549



```
6/6    registered    C549
6/7    registered    C549
6/8    registered    C549
```

```
Port  NoiseRegen  NonLinearProcessing
```

```
-----
```

```
6/1  enabled    enabled
6/2  enabled    enabled
6/3  enabled    enabled
6/4  enabled    enabled
6/5  enabled    enabled
6/6  enabled    enabled
6/7  enabled    enabled
6/8  enabled    enabled
```

```
Console> (enable)
```



Important Information

THE SPECIFICATIONS AND INFORMATION REGARDING THE PRODUCTS IN THIS MANUAL ARE SUBJECT TO CHANGE WITHOUT NOTICE. ALL STATEMENTS, INFORMATION, AND RECOMMENDATIONS IN THIS MANUAL ARE BELIEVED TO BE ACCURATE BUT ARE PRESENTED WITHOUT WARRANTY OF ANY KIND, EXPRESS OR IMPLIED. USERS MUST TAKE FULL RESPONSIBILITY FOR THEIR APPLICATION OF ANY PRODUCTS.

IN NO EVENT SHALL CISCO OR ITS SUPPLIERS BE LIABLE FOR ANY INDIRECT, SPECIAL, CONSEQUENTIAL, OR INCIDENTAL DAMAGES, INCLUDING, WITHOUT LIMITATION, LOST PROFITS OR LOSS OR DAMAGE TO DATA ARISING OUT OF THE USE OR INABILITY TO USE THIS MANUAL, EVEN IF CISCO OR ITS SUPPLIERS HAVE BEEN ADVISED OF THE POSSIBILITY OF SUCH DAMAGES.



Corporate Headquarters

Cisco Systems, Inc.
170 West Tasman Drive
San Jose, CA 95134-1706
USA
www.cisco.com
Tel: 408 526-4000
800 553-NETS (6387)
Fax: 408 526-4100

European Headquarters

Cisco Systems International BV
Haarlerbergpark
Haarlerbergweg 13-19
1101 CH Amsterdam
The Netherlands
www-europe.cisco.com
Tel: 31 0 20 357 1000
Fax: 31 0 20 357 1100

Americas Headquarters

Cisco Systems, Inc.
170 West Tasman Drive
San Jose, CA 95134-1706
USA
www.cisco.com
Tel: 408 526-7660
Fax: 408 527-0883

Asia Pacific Headquarters

Cisco Systems, Inc.
Capital Tower
168 Robinson Road
#22-01 to #29-01
Singapore 068912
www.cisco.com
Tel: +65 317 7777
Fax: +65 317 7799

Cisco Systems has more than 200 offices in the following countries and regions. Addresses, phone numbers, and fax numbers are listed on **the Cisco Web site at www.cisco.com/go/offices.**

Argentina • Australia • Austria • Belgium • Brazil • Bulgaria • Canada • Chile • China PRC • Colombia • Costa Rica • Croatia • Czech Republic • Denmark • Dubai, UAE • Finland • France • Germany • Greece • Hong Kong SAR • Hungary • India • Indonesia • Ireland • Israel • Italy • Japan • Korea • Luxembourg • Malaysia • Mexico • The Netherlands • New Zealand • Norway • Peru • Philippines • Poland • Portugal • Puerto Rico • Romania • Russia • Saudi Arabia • Scotland • Singapore • Slovakia • Slovenia • South Africa • Spain • Sweden • Switzerland • Taiwan • Thailand • Turkey • Ukraine • United Kingdom • United States • Venezuela • Vietnam • Zimbabwe

Copyright 2003 Cisco Systems, Inc. All rights reserved. Cisco, Cisco Systems, and the Cisco Systems logo are registered trademarks or trademarks of Cisco Systems, Inc. and/or its affiliates in the U.S. and certain other countries. All other trademarks mentioned in this document or Web site are the property of their respective owners. The use of the word partner does not imply a partnership relationship between Cisco and any other company. (0301R)