

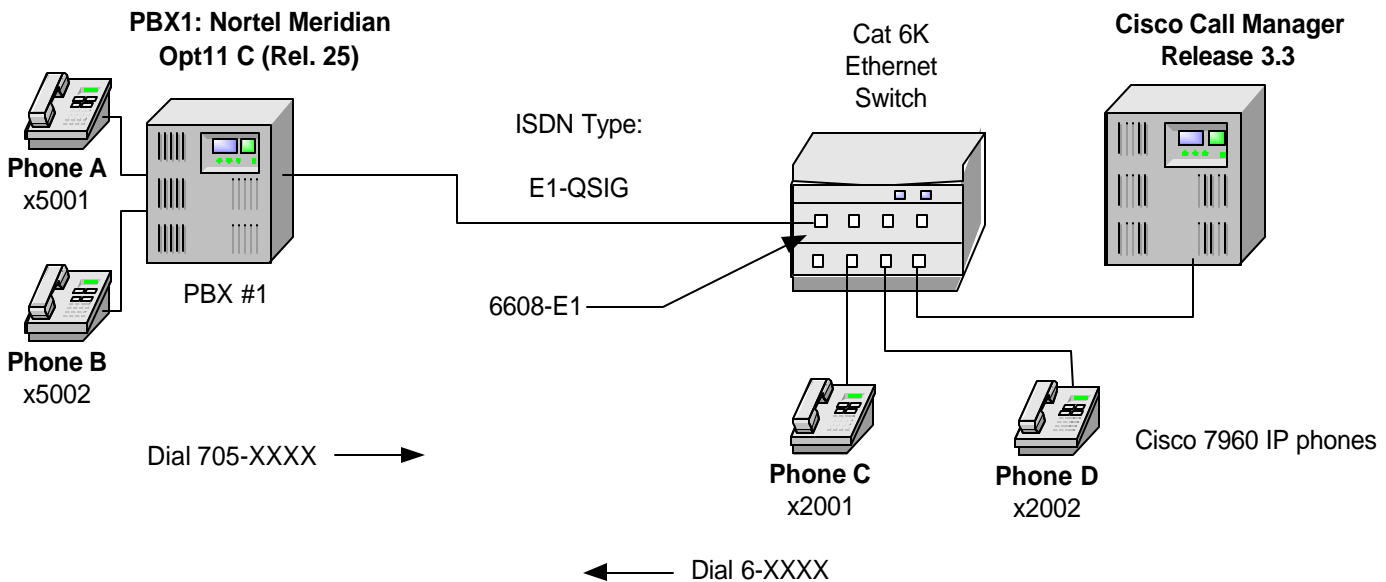
Cisco Catalyst 6608-PBX Interoperability: Nortel Meridian Opt11C with E1 MGCP Signaling

Introduction

This document describes connectivity between a Nortel Meridian Opt11C Release 25 PBX featuring an ISGF switch type and Cisco CallManager using a Cisco 6608 using PRI ISO QSIG E1 as the MGCP gateway.

Network Topology

Basic Call Setup End-to-End Configuration



Limitations

Cisco CallManager 3.3 does not support sending the following types of identifiers:

- Alerting Name or Busy Name Identification information.
- Restricted Calling Name Identification
- Restricted Connected Name Identification.
- Restricted Connected Number Identification



System Components

Hardware Requirements

- Cisco hardware— Cisco Catalyst 6608 switch with E1
- PBX hardware— Nortel Meridian O11c with NTBK50AA, 2 Mb PRI

Software Requirements

- Cisco IOS software release— NmpSW: 6.1(4)
- PBX software release—version 25
- Cisco CallManager release—version 3.3

Configuration

Configuring the Nortel Meridian Opt11C

Be sure to configure the Nortel PBX components in the following sequence:

- Step 1. Configure common equipment.
- Step 2. Configure the D-Channel.
- Step 3. Configure the route data block.
- Step 4.** Configure the trunk.

Configuration Menus and Commands

Common equipment

```
> LD 22
```

```
PT2000  
MARP NOT ACTIVATED
```

```
REQ PRT
```

```
TYPE CEQU
```

```
CEQU
```

```
MPED 8D  
SUPL 000 004 008 012  
      016 032 036 040  
      044 048 064 068  
      072  
XCT 000  
CONF 029 030 031 062  
      094 095
```

```
DLOP NUM DCH FRM LCMT YALM T1TE TRSH
```



```
PRI 004 23 ESF B8S FDL - 00
PRI2 05
DTI2
MISP
```

```
REQ ****
>
```

Configure D-Channel

```
>LD 22
PT2000
MARP NOT ACTIVATED
```

```
REQ PRT
```

```
TYPE ADAN DCH 5
```

```
ADAN DCH 5
CTYP MSDL
CARD 05
PORT 1
DES E1_ISGF
USR PRI
DCHL 5
OTBF 32
PARM RS422 DTE
DRAT 64KC
CLOK EXT
IFC ISGF
PINX_CUST 0
ISDN_MCNT 300
CLID OPT0
CO_TYPE STD
SIDE NET
CNEG 1
RLS ID **
QCHID YES
RCAP COLP NDI CCBI CCNI PRI DV1I CTI
PR_TRIGS DIV 2 3
CNG 2 3
PR_RTN NO
MBGA NO
OVLN YES
DIDD 0
OVLS YES
OVLT 0
T310 120
```



```
T200 3
T203 10
N200 3
N201 260
K 7
```

```
REQ *****
>
```

Configure Route Data Block

```
>LD 21
```

```
PT1000
```

```
REQ: PRT
```

```
TYPE: RDB
```

```
CUST 0
```

```
ROUT 105
```

```
TYPE RDB
CUST 00
DMOD
ROUT 105
DES E1_ISGF
TKTP TIE
NPID_TBL_NUM 0
ESN NO
CNVT NO
SAT NO
RCLS EXT
DTRK YES
BRIP NO
DGTP PRI2
ISDN YES
    MODE PRA
    IFC ISGF
    SBN NO
    PNI 00001
    NCNA NO
    NCRD NO
    CTYP UKWN
    INAC NO
    ISAR NO
    CPFXS YES
    DAPC NO
```



INTC NO
DSEL VOD
PTYD DTT
AUTO NO
DNIS NO
DCDR NO
ICOG IAO
SRCH RRB
TRMB YES
STEP
ACOD 705
TCPP NO
TARG 01
CLEN 1
BILN NO
OABS
INST
ANTK
SIGO STD
ICIS YES
TIMR ICF 512
OGF 512
EOD 13952
NRD 10112
DDL 70
ODT 4096
RGV 640
GRD 896
SFB 3
NBS 2048
NBL 4096
TFD 0
DRNG NO
CDR NO
MUS NO
OHQ NO
OHQT 00

PAGE 002

CBQ NO
AUTH NO
TTBL 0
PLEV 2
ALRM NO
ART 0
SGRP 0
AACR NO



REQ: ****
>

Configure Trunk

>LD 20
PT0000
MARP NOT ACTIVATED

REQ: PRT

TYPE: TNB

TN 5 1

DATE

PAGE

DES

TN 005 01
TYPE TIE
CDEN SD
CUST 0
TRK PRI2
PDCA 1
PCML A
NCOS 0
RTMB 105 1
B-CHANNEL SIGNALING
TGAR 1
AST NO
IAPG 0
CLS UNR DTN CND WTA LPR APN THFD
P10 VNL
TKID
DATE 24 APR 2002
>



Configuring Cisco CallManager

6608-E1 Gateway Configuration

Cisco CallManager Administration
For Cisco IP Telephony Solutions

Gateway Configuration [Back to Find/List Gateways](#)

Product : Cisco Catalyst 6000 E1 VoIP Gateway
Gateway : S0/DS1-0@SDA000164122280
Device Protocol: Digital Access PRI
Registration: Registered with Cisco CallManager 10.10.10.1
IP Address: [10.10.10.104](#)

Status: Ready

Device Information

MAC Address*	<input type="text" value="000164122280"/>
Description	<input type="text" value="SDA000164122280"/>
Device Pool*	<input type="text" value="Default"/>
Network Locale*	<input type="text" value="United States"/>
Media Resource Group List	<input type="text" value=" < None >"/>
Location	<input type="text" value=" < None >"/>
AAR Group	<input type="text" value=" < None >"/>
Load Information	<input type="text"/>

Interface Information

PRI Protocol Type*	<input type="text" value="PRI ISO QSIG E1"/>
Protocol Side*	<input type="text" value="User"/>
Channel Selection Order*	<input type="text" value="Top Down"/>
Channel IE Type*	<input type="text" value="Timeslot Number"/>

Done Local intranet



Cisco CallManager 3.3 Administration - Gateway Configuration - Microsoft Internet Explorer

File Edit View Favorites Tools Help

Back Forward Stop Home Search Favorites History Print

Address <http://ferengi/CCMAdmin/gatewayconfig.asp?pkid={CB557D64-12B9-451A-979A-E4D32198D86A}&type=2> Go Links

PCM Type* A-law

Delay for first restart (1/8 sec ticks) 32

Delay between restarts (1/8 sec ticks) 4

Inhibit restarts at PRI initialization

Enable status poll

Call Routing Information

Inbound Calls

Significant Digits* 23

Calling Search Space < None >

AAR Calling Search Space < None >

Prefix DN

Outbound Calls

Calling Party Presentation* Allowed

Calling Party Selection* Originator

Called party IE number type unknown* Cisco CallManager

Calling party IE number type unknown* Cisco CallManager

Called Numbering Plan* Private

Calling Numbering Plan* Cisco CallManager

Number of digits to strip* 0

Caller ID DN

PRI Protocol Type Specific Information

Display IE Delivery

Redirecting Number IE Delivery - Outbound

Done Local intranet



Cisco CallManager 3.3 Administration - Gateway Configuration - Microsoft Internet Explorer

File Edit View Favorites Tools Help

Back Forward Stop Home Search Favorites History Print

Address <http://ferengj/CCMAdmin/gatewayconfig.asp?pkid={CB557D64-12B9-451A-979A-E4D32198D86A}&type=2> Go Links

Redirecting Number IE Delivery - Inbound

Send Extra Leading Character In DisplayIE***

Setup non-ISDN Progress Indicator IE Enable****

MCDN Channel Number Extension Bit Set to Zero**

Interface Identifier Present**

Interface Identifier Value**

Product Specific Configuration

Clock Reference*	<input type="text" value="Network"/>
Framing*	<input type="text" value="CRC4"/>
Audio Signal Adjustment into IP Network*	<input type="text" value="NoDbPadding"/>
Audio Signal Adjustment from IP Network*	<input type="text" value="NoDbPadding"/>
Zero Suppression*	<input type="text" value="HDB3"/>
Digit On Duration(50-500ms)*	<input type="text" value="100"/>
Interdigit Duration(50-500msec)*	<input type="text" value="100"/>
Adaptive Gain Control Enable*	<input checked="" type="checkbox"/>
SNMP Community String	<input type="text" value="public"/>
Debug Port Enable*	<input checked="" type="checkbox"/>
Hold Tone Silence Duration*	<input type="text" value="0"/>
Port Used for Voice Calls*	<input checked="" type="checkbox"/>
Port Used for Modem Calls*	<input checked="" type="checkbox"/>
Port Used for Fax Calls*	<input checked="" type="checkbox"/>

Fax and Modem Parameters

Done Local intranet



Cisco CallManager 3.3 Administration - Gateway Configuration - Microsoft Internet Explorer

File Edit View Favorites Tools Help

Back Forward Stop Home Search Favorites History Print

Address <http://ferengj/CCMAdmin/gatewayconfig.asp?pkid={CB557D64-12B9-451A-979A-E4D32198D86A}&type=2> Go Links

Fax and Modem Parameters

Fax Relay Enable*	<input checked="" type="checkbox"/>
Fax Error Correction Mode Override*	<input checked="" type="checkbox"/>
Maximum Fax Rate*	14400bps
Fax Payload Size*	20
Non Standard Facilities Country Code*	65535
Non Standard Facilities Vendor Code*	65535
Fax/Modem Packet Redundancy*	<input type="checkbox"/>
V.21 Flag Sequence Detection Count*	4
NSE Type*	Non-IOS Gateways

Playout Delay Parameters

Initial Playout Delay*	40
Minimum Playout Delay*	20
Maximum Playout Delay*	150

* indicates required item
** applicable to DMS-100 protocol only
*** applicable to DMS-100 protocol and DMS-250 protocol only
**** may be required to force ringback from some PBXs

[Back to Find/List Gateways](#)

Local intranet



Enbloc Route Pattern Configuration

Cisco CallManager 3.3 Administration - Route Pattern Configuration - Microsoft Internet Explorer

File Edit View Favorites Tools Help

Back Forward Stop Home Search Favorites History Print

Address <http://klingon/CCMAdmin/routepatternconfig.asp?pkid={6294CFA3-B099-4C88-A5DE-1D9756D2E7AB}> Go Links >>

Copy Update Delete

Pattern Definition

Route Pattern*

Partition

Numbering Plan*

Route Filter

Gateway/Route List* (Edit)

Route Option Route this pattern Block this pattern

Provide Outside Dial Tone Urgent Priority

Calling Party Transformations

Use Calling Party's External Phone Number Mask

Calling Party Transform Mask

Prefix Digits (Outgoing Calls)

Calling Party Presentation

Called Party Transformations

Discard Digits

Called Party Transform Mask

Prefix Digits (Outgoing Calls)

ISDN Network-Specific Facilities Information Element

Carrier Identification Code

Network Service Protocol

Network Service	Service Parameter Name	Service Parameter Value
<input type="text" value=" - Not Selected -"/>	<input type="text" value=" < Not Exist >"/>	<input type="text"/>

* indicates required item.

Done Local intranet



Overlap Sending Route Pattern Configuration

Cisco CallManager 3.3 Administration - Route Pattern Configuration - Microsoft Internet Explorer

File Edit View Favorites Tools Help

Back Forward Stop Home Search Favorites History Print

Address http://kingon/CCMAdmin/routepatternconfig.asp?pkid={D676A9B4-AE3A-4E41-9CFD-798307A28392} Go Links >>

Copy Update Delete

Pattern Definition

Route Pattern*

Partition

Numbering Plan*

Route Filter

Gateway/Route List* (Edit)

Route Option Route this pattern Block this pattern

Provide Outside Dial Tone Urgent Priority

Calling Party Transformations

Use Calling Party's External Phone Number Mask

Calling Party Transform Mask

Prefix Digits (Outgoing Calls)

Calling Party Presentation

Called Party Transformations

Discard Digits

Called Party Transform Mask

Prefix Digits (Outgoing Calls)

ISDN Network-Specific Facilities Information Element

Carrier Identification Code

Network Service Protocol

Network Service	Service Parameter Name	Service Parameter Value
<input type="text" value=" - Not Selected -"/>	<input type="text" value=" < Not Exist >"/>	<input type="text"/>

* indicates required item.

Done Local intranet



Configuring the Cisco Catalyst 6608

Console> (enable) **sh version**

WS-C6506 Software, Version NmpSW: 6.1(4)
Copyright (c) 1995-2001 by Cisco Systems
NMP S/W compiled on May 15 2001, 12:27:20

System Bootstrap Version: 5.3(1)

Hardware Version: 2.0 Model: WS-C6506 Serial #: TBA04110341

Mod	Port	Model	Serial #	Versions
1	2	WS-X6K-SUP1A-2GE	SAD041504XL	Hw : 3.1 Fw : 5.3(1) Fw1: 5.1(1)CSX Sw : 6.1(4) Sw1: 6.1(4)
3	48	WS-F6K-PFC WS-X6248-RJ-45	SAD0413097K SAD04150CK1	Hw : 1.1 Hw : 1.2 Fw : 5.1(1)CSX Sw : 6.1(4)
4	24	WS-X6624-FXS	SAD050203M8	Hw : 3.0 Fw : 5.4(2) Sw : 6.1(4)
5	8	WS-X6608-E1	SAD043300AJ	HP : A00203030009; DSP : A003D033 (3.6.33) Hw : 1.1 Fw : 5.4(2) Sw : 6.1(4) HP1: D00403030009; DSP1: D005D033 (3.6.33) HP2: D00403030009; DSP2: D005D033 (3.6.33) HP3: D00403030009; DSP3: D005D033 (3.6.33) HP4: D00403030009; DSP4: D005D033 (3.6.33) HP5: C00103010007; DSP5: C002E031 (3.3.2) HP6: C00103010007; DSP6: C002E031 (3.3.2) HP7: C00103010007; DSP7: C002E031 (3.3.2) HP8: C00103010007; DSP8: C002E031 (3.3.2)

Module	DRAM			FLASH			NVRAM		
	Total	Used	Free	Total	Used	Free	Total	Used	Free
1	65408K	43764K	21644K	16384K	5327K	11057K	512K	245K	267K

Uptime is 229 days, 22 hours, 39 minutes

Console> (enable)

Console> (enable) **sh module**

Mod	Slot	Ports	Module-Type	Model	Sub Status
1	1	2	1000BaseX Supervisor	WS-X6K-SUP1A-2GE	yes ok



```

3 3 48 10/100BaseTX Ethernet WS-X6248-RJ-45 no ok
4 4 24 FXS WS-X6624-FXS no ok
5 5 8 E1 WS-X6608-E1 no ok

```

```

Mod Module-Name Serial-Num
-----
1 SAD041504XL
3 SAD04150CK1
4 SAD050203M8
5 SAD043300AJ

```

```

Mod MAC-Address(es) Hw Fw Sw
-----
1 00-d0-d3-37-f9-8e to 00-d0-d3-37-f9-8f 3.1 5.3(1) 6.1(4)
  00-d0-d3-37-f9-8c to 00-d0-d3-37-f9-8d
  00-01-63-af-5c-00 to 00-01-63-af-5f-ff
3 00-01-97-4a-10-30 to 00-01-97-4a-10-5f 1.2 5.1(1)CSX 6.1(4)
4 00-03-32-ba-2e-35 3.0 5.4(2) 6.1(4)
5 00-01-64-12-22-80 to 00-01-64-12-22-87 1.1 5.4(2) 6.1(4)

```

```

Mod Sub-Type Sub-Model Sub-Serial Sub-Hw
-----
1 L3 Switching Engine WS-F6K-PFC SAD0413097K 1.1
Console> (enable)

```

Console> (enable) **sh port 5/1**

```

Port Name Status Vlan Duplex Speed Type
-----
5/1 connected 1 full 2.048 E1

```

```

Port DHCP MAC-Address IP-Address Subnet-Mask
-----
5/1 enable 00-01-64-12-22-80 10.10.10.104 255.255.255.0

```

```

Port Call-Manager(s) DHCP-Server TFTP-Server Gateway
-----
5/1 10.10.10.1 10.10.10.1 10.10.10.1 10.10.10.125

```

```

Port DNS-Server(s) Domain
-----
5/1 - -

```

```

Port CallManagerState DSP-Type
-----
5/1 registered C549

```

```

Port NoiseRegen NonLinearProcessing
-----
5/1 enabled enabled

```

```

Port Trap IfIndex

```



```
-----  
5/1 disabled 66  
Console> (enable)
```

Important Information

THE SPECIFICATIONS AND INFORMATION REGARDING THE PRODUCTS IN THIS MANUAL ARE SUBJECT TO CHANGE WITHOUT NOTICE. ALL STATEMENTS, INFORMATION, AND RECOMMENDATIONS IN THIS MANUAL ARE BELIEVED TO BE ACCURATE BUT ARE PRESENTED WITHOUT WARRANTY OF ANY KIND, EXPRESS OR IMPLIED. USERS MUST TAKE FULL RESPONSIBILITY FOR THEIR APPLICATION OF ANY PRODUCTS.

IN NO EVENT SHALL CISCO OR ITS SUPPLIERS BE LIABLE FOR ANY INDIRECT, SPECIAL, CONSEQUENTIAL, OR INCIDENTAL DAMAGES, INCLUDING, WITHOUT LIMITATION, LOST PROFITS OR LOSS OR DAMAGE TO DATA ARISING OUT OF THE USE OR INABILITY TO USE THIS MANUAL, EVEN IF CISCO OR ITS SUPPLIERS HAVE BEEN ADVISED OF THE POSSIBILITY OF SUCH DAMAGES.



Corporate Headquarters

Cisco Systems, Inc.
170 West Tasman Drive
San Jose, CA 95134-1706
USA
www.cisco.com
Tel: 408 526-4000
800 553-NETS (6387)
Fax: 408 526-4100

European Headquarters

Cisco Systems International BV
Haarlerbergpark
Haarlerbergweg 13-19
1101 CH Amsterdam
The Netherlands
www-europe.cisco.com
Tel: 31 0 20 357 1000
Fax: 31 0 20 357 1100

Americas Headquarters

Cisco Systems, Inc.
170 West Tasman Drive
San Jose, CA 95134-1706
USA
www.cisco.com
Tel: 408 526-7660
Fax: 408 527-0883

Asia Pacific Headquarters

Cisco Systems, Inc.
Capital Tower
168 Robinson Road
#22-01 to #29-01
Singapore 068912
www.cisco.com
Tel: +65 317 7777
Fax: +65 317 7799

Cisco Systems has more than 200 offices in the following countries and regions. Addresses, phone numbers, and fax numbers are listed on **the Cisco Web site at www.cisco.com/go/offices.**

Argentina • Australia • Austria • Belgium • Brazil • Bulgaria • Canada • Chile • China PRC • Colombia • Costa Rica • Croatia • Czech Republic • Denmark • Dubai, UAE • Finland • France • Germany • Greece • Hong Kong SAR • Hungary • India • Indonesia • Ireland • Israel • Italy • Japan • Korea • Luxembourg • Malaysia • Mexico • The Netherlands • New Zealand • Norway • Peru • Philippines • Poland • Portugal • Puerto Rico • Romania • Russia • Saudi Arabia • Scotland • Singapore • Slovakia • Slovenia • South Africa • Spain • Sweden • Switzerland • Taiwan • Thailand • Turkey • Ukraine • United Kingdom • United States • Venezuela • Vietnam • Zimbabwe

Copyright 2003 Cisco Systems, Inc. All rights reserved. Cisco, Cisco Systems, and the Cisco Systems logo are registered trademarks or trademarks of Cisco Systems, Inc. and/or its affiliates in the U.S. and certain other countries. All other trademarks mentioned in this document or Web site are the property of their respective owners. The use of the word partner does not imply a partnership relationship between Cisco and any other company. (0301R)