

# Cisco Unified CallManager 4.0-PBX Interoperability: Alcatel 4400 Release 4.2 PBX to a Cisco 6608 Gateway using E1 PRI EURO with MGCP

## Introduction

This is an Application Note for Connectivity of Alcatel 4400 Release 4.2 private branch exchange (PBX) with Cisco Unified CallManager Release 4.0 using Cisco Catalyst 6000 Ethernet Switch 6608-E1 primary rate interface (PRI) voice gateway as Media Gateway Control Protocol (MGCP) Gateway.

The Network Topology diagram shows the test set-up for end-to-end interoperability with the CMM connected to the PBX via 6608-E1 PRI voice gateway as MGCP Gateway.

Connectivity is achieved by using the European PRI protocol type on the MGCP gateway and all countries Integrated Services Digital Network (ISDN) (European Telecommunication Standards Institute [ETSI]) protocol type on the Alcatel 4400 PBX.

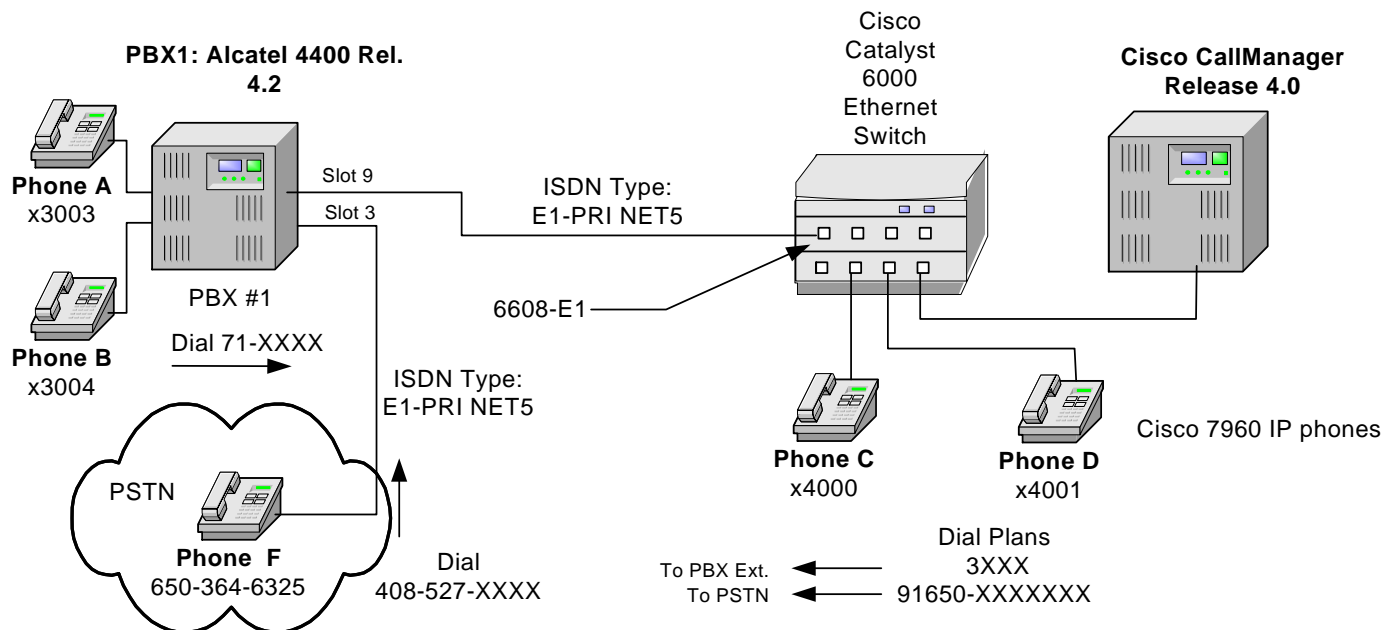
Basic Calls worked fine in both directions with Calling Number features support.

Alcatel 4400 Release 4.2 PBX does not support Calling Name delivery and presentation features for ISDN PRI links.

CCM 4.0 does not support sending Connected Number information for PRI links.

## Network Topology

### Basic Call Setup End-to-End Configuration





## Limitations

### **Calling Name and Number feature.**

Calling Name delivery and presentation features are not supported by the Alcatel 4400 PBX for ISDN PRI links.

CCM 4.0 Release does not support sending Connected Number information in the connect message.

When calling from Alcatel digital phone to Cisco 7960 IP phone, the Cisco IP phone displays Calling Number when the call is answered.

Alcatel phone however displays trunk name only, No connected Name or Number when the call is answered.

When calling from Cisco 7960 IP phone to Alcatel digital phone, Calling/Called Number is displayed on both phones after the call is answered as expected.

## System Components

### **Hardware Requirements**

Cisco Hardware

Cisco Catalyst 6000 Ethernet Switch with 6608-E1 Gateway

Cisco Unified CallManager 4.0

Alcatel 4400 PBX Hardware

Hardware: BPRA2, 3BA23074ABAC03- E1 BRI/PRI

### **Software Requirements**

Cisco IOS Software Release

Not Applicable

Alcatel 4400 PBX Software Release

Software Version 4.2

Cisco Unified CallManager Release

Unified CallManager 4.0

## Features

### **Key features supported**

Calling Number Identification Presentation

### **Key features not supported**

Connected Number Identification delivery is not supported by Cisco Unified CallManager 4.0

Calling Name delivery and presentation features are not supported by the Alcatel 4400 PBX

## Configuration

### **Configuration Sequence and Tasks**

Configure in the following sequence:

1. Configure Board
2. Configure Digital Access Options



### 3. Configure Trunk Group

### 4. Configure Trunk Detail

## Configuring the Configuring the Alcatel 4400 PBX

### Configure Board

Interface type must be set to **BPRA2**

```
\compidea\Shelf::0\Board::9
```

Board	9
Board Address	
<b>Interface Type</b>	<b>BPRA2</b>
Administrative status	Enabled
Usage State	Busy
Operational State	Enabled
Main/Standby State	Main (Master)
Number Of Sets Being Connect.	4
Remote Shelf Address	255
Remote Board Address	255
Synchronisation Priority	255
IO2 With SPB	NO
AUXU Parameters 1	None
AUXU Parameters 2	None
AUXU Parameters 3	None
AUXU Parameters 4	None
CRC4	YES
Country Protocol Type	Default
Time Slots\0	0
Time Slots\1	1
Time Slots\2	1
Time Slots\3	1
Time Slots\4	1
Time Slots\5	1
Time Slots\6	1
Time Slots\7	1
Time Slots\8	1
Time Slots\9	1
Time Slots\10	1
Time Slots\11	1
Time Slots\12	1
Time Slots\13	1
Time Slots\14	1
Time Slots\15	1
Time Slots\16	0
Time Slots\17	1
Time Slots\18	1
Time Slots\19	1
Time Slots\20	1
Time Slots\21	1
Time Slots\22	1
Time Slots\23	1
Time Slots\24	1
Time Slots\25	1
Time Slots\26	1
Time Slots\27	1
Time Slots\28	1
Time Slots\29	1
Time Slots\30	1



Time Slots\31	1
Voice-->Data TS	YES
SU shelf Type	2 PCM Shelf
DECT Location area number	255
Send Init Dynamic Msg	False
Param By Default	True
Clock Mode	Internal
CPU with Optimized B Channel Access	NO
Board with DTM	False
Incidents Teleservice	YES
VG Recording Max.Duration	0
DASS2 Simulate Network	NO
DPNSS Layer 2 Address	A
ISDN Board Layer 2 Parameters\Retransmission Timer	100
ISDN Board Layer 2 Parameters\TEI Identity Check Timer	100
ISDN Board Layer 2 Parameters\Polling Timer	1000
ISDN Board Layer 2 Parameters\Nb_Of_Retransmission	3
ISDN Board Layer 2 Parameters\Max Frame Size (Bytes)	260
ISDN Board Layer 2 Parameters\Window Size In Frames SAPI S T0	1
ISDN Board Layer 2 Parameters\Window Size In Frames SAPI P T0	3
ISDN Board Layer 2 Parameters\Window Size In Frames SAPI S T2	7
ISDN Board Layer 2 Parameters\Window Size In Frames SAPI P T2	7
Number of configured ports	4
Associated CPU	255
Number of configured E1 ports	8
Synchronisation mode	Adaptative
In Band Signalling	NO
Passive board	NO
SS7 signalling	NO
PRA7 TS signalling	16
ISDN T2 on PRA7 board	NO
Use Data Compression	NO
Mutual Aid	YES
LIO Daughter Board	COMP6
INTIP Daughter Board	GIP6x1
Tone on Board	R2 Tone
Number of Used Compressors	0
GNISC in Rack	255
GNISC in position	255
Usage State	Slave
Atm address	
TS used on PCM 0	0
TS used on PCM 1	0
TS used on PCM 2	0
TS used on PCM 3	0
TS used on PCM 4	0
TS used on PCM 5	0
TS used on PCM 6	0
TS used on PCM 7	0
Daughter board equipped	NO
Nb of Compressors for Gateway	0
Nb of Compressors for IP Devices	0
Mode	Gateway IP
Voice Guide Language Index	1
CLIP Signalization	No CLIP
IVR Protocol	No IVR Protocol
4615 Present	NO
LIOE coupler 1 address	255
LIOE coupler 2 address	255
Associated BBC2 coupler	255
Associated BBC2 access	255
Board IP Version	IP Default
Use of volume in system	YES



Local volume (dB)	0
Network recording use	False
Remote node number	255

### Configure Digital Access Options

**Network mode** must be set to **Yes** for (Master/Network) or **No-** (Slave/User).

**Access Type** must be set to **T2**.

\compidea\Shelf::0\Board::9\Digital Access::0

Digital Access	0
T0/T2 Access No.	0
<b>Access Type</b>	<b>T2</b>
Used Access	YES
Synchronisation Priority	255
<b>Network Mode</b>	<b>YES</b>
Max Nb Of Used B Channels	30
Max_Nb_Of_Compressed_B_Channels	0
Nb Of Signalization TS	1
TieLine Mode	YES
With Alarm	NO
Access Type S0	NO
Reserved1	NO
Reserved2	NO
Network Date Time Update	NO
CRC4	YES
Port Class	NOT SIG
Multiframe Type	SF
Line Type	Short Haul 0 to 35 meters
Pulses Encoding	AMI
Retransmission Timer	100
TEI Identity Check Timer	100
Polling Timer	1000
Nb_Of_Retransmission	3
Max Frame Size (Bytes)	260
Window Size In Frames SAPI S	7
Window Size In SAPI P	7
B Channel Rate	64K

### Configure Trunk Group

**Q931 signal variant** is used to set the protocol type to **ISDN PRI**

\compidea\Trunk Groups::4

Trunk Groups	
Trunk Group Id	4
Trunk Group Type	T2
Trunk Group Name	PRI-ISDN
Node number	1
Transcom Trunk Group	False
Auto.reserv.by Attendant	False
Overflow trunk group No.	-1
Tone on seizure	True
Private Trunk Group	False
Paging Trunk Group	False
Paging Table Id	-1
Paging Signalization	NDDI
Security Patrol	False
<b>Q931 signal variant</b>	<b>ISDN all countries</b>
Operator Id	ANSI
SS7 signal variant	No variant



Number Compatible With	-1
Prefix Sending	False
Number Of Digits To Send	4
Channel selection type	Quantum
Remote Network	15
Shared Trunk Group	False
T.line Calling last dig.length	0
auto.DTMF dialing on outgoing call	NO
T2 Specificity	None
Public Network Category	0
DDI transcoding	False
Special Services	Nothing
Can support UUS in SETUP	True
Register Signalling	Decadic/MF Q23
Implicit Priority\Activation mode	0
Implicit Priority\Priority Level	0
Preempter	NO
Incoming calls Restriction categ.	10
Outgoing calls Restriction categ.	10
mpt1343 callee number	NO

### Configure Trunk Detail

\compidea\Trunk Groups::4\Trunk Group::1

Trunk Group	
Instance (reserved)	1
Trunk Group Type	T2
Public Network Ref.	
Dialling end to end	NO
DTMF end to end signal.	NO
Paying Incoming Calls	NO
TS Permanently assigned	NO
Min. Nb.of digits on seize	0
Signal.with access code	NO
Trunk group used in DISA	NO
DISA Secret Code	
VG for non-existent No.	YES
Routing To Executive	NO
Trunk Category Id	16
Nb of digits unused (ISDN)	0
B Channel Choice	YES
Channels Reserved By Attend.	0
Dissuasion For ACD	NO
DTO joining	NO
Enquiry Call On B Channel	NO
DDI Mode	NO
Automated Attendant	NO
Calling party Rights category	0
Entity Number	0
TS Overflow	YES
Number To Be Added	
Supervised by Routing	NO
Access Cluster Id	-1
VPN Cost Limit for Incom.Calls	0
Immediat Trk Listening For VPN Call	YES
VPN TS %	50
Csta Monitored	NO
Max.% of trunks	0
Charge Calling And ADN Creation	NO



Ratio analog.to ISDN tax	YES
Collect Calls Allowed	NO
Priority of Call	NO
PCM Network Mode	1__15 & 17__31
LogicalChannel	YES
TS Distribution on Accesses	NO
Use Split Acces	NO
Heterogeneous Remote Network	Not barred
Barring mode	31
ARS class of service	NO
Megacom Service	NO
SDN Service	NO
Quality profile for voice on IP	Profile #1
IP compression type	Default
Use of volume in system	YES
Local volume (dB)	0
External Access Server	NO
McdU Trk MonitCsta	
Announcement for Dialtone	NO
Announcement for Ringtone	NO
Private to Public Overflow	YES

**T2 Access**

\compidea\Trunk Groups::4\T2/T1/T0 Access::0-9-0

T2/T1/T0 Access	
Physical Address	0-9-0
Access Type	T2
Access Cluster Id	-1
Time Slots T2	01111111111111111011111111111111
11	
Time Slots T0	011
Time Slots T1 CCS	01111111111111111111111110
Time Slots Virtual	01111110000000
DLCI	16
Committed Information Rate	48
Extended Information Rate	64
CIR Measurement Interval	10
Support Time Slot Address	
ISDN Compression Number	
Release Support Timer (100ms)	0
Protection Timer (1mn)	0



## Configuring Cisco Unified CallManager

### 6608-E1 Gateway Configuration

The screenshot shows the Cisco CallManager Administration web interface in Microsoft Internet Explorer. The browser title is "Cisco CallManager 4.0 Administration - Gateway Configuration - Microsoft Internet Explorer". The address bar shows the URL: `http://cm-klngon/CCMAdmin/gatewayconfig.asp?pkid={2E043967-780A-4425-8FEF-343CBAD17186}&type=2`. The page has a navigation menu with "System", "Route Plan", "Service", "Feature", "Device", "User", "Application", and "Help". The main content area is titled "Gateway Configuration" and includes a "Back to Find/List Gateways Dependency Records" link. The configuration details for a Cisco Catalyst 6000 E1 VoIP Gateway are as follows:

**Product :** Cisco Catalyst 6000 E1 VoIP Gateway  
**Gateway :** S0/DS1-0@SDA0001C9D8633E  
**Device Protocol:** Digital Access PRI  
**Registration:** Registered with Cisco CallManager 172.20.32.254  
**IP Address:** [172.20.32.103](#)

**Status:** Ready

Buttons: Update, Delete, Reset Gateway

**Device Information**

MAC Address*	<input type="text" value="0001C9D8633E"/>
Description	<input type="text" value="SDA0001C9D8633E"/>
Device Pool*	<input type="text" value="Default"/>
Network Locale	<input type="text" value="United States"/>
Media Resource Group List	<input type="text" value="&lt; None &gt;"/>
Location	<input type="text" value="&lt; None &gt;"/>
AAR Group	<input type="text" value="&lt; None &gt;"/>
Load Information	<input type="text"/>

**Multilevel Precedence and Preemption (MLPP) Information**

MLPP Domain (e.g., "0000FF")	<input type="text"/>
MLPP Indication	Not available on this device
MLPP Preemption	Not available on this device

**Interface Information**

PRI Protocol Type*	<input type="text" value="PRI EURO"/>
Protocol Side*	<input type="text" value="User"/>
Channel Selection Order*	<input type="text" value="Top Down"/>
Channel IE Type*	<input type="text" value="Continuous Number"/>





Cisco CallManager 4.0 Administration - Gateway Configuration - Microsoft Internet Explorer

File Edit View Favorites Tools Help

Back Forward Stop Home Search Favorites Media Print

Address <http://cm-klingson/CCMAdmin/gatewayconfig.asp?pkid={2E043967-780A-4425-8FEF-343CBAD17186}&type=2> Go Links

PCM Type\* A-law

Delay for first restart (1/8 sec ticks) 32

Delay between restarts (1/8 sec ticks) 4

Inhibit restarts at PRI initialization

Enable status poll

**Call Routing Information**

**Inbound Calls**

Significant Digits\* All

Calling Search Space Incoming Trunk

AAR Calling Search Space < None >

Prefix DN

**Outbound Calls**

Calling Line ID Presentation\* Default

Calling Party Selection\* Originator

Called party IE number type unknown\* National

Calling party IE number type unknown\* National

Called Numbering Plan\* ISDN

Calling Numbering Plan\* ISDN

Number of digits to strip\* 0

Caller ID DN

SMDI Base Port\* 0

**PRI Protocol Type Specific Information**

Display IE Delivery

Redirecting Number IE Delivery - Outbound

Redirecting Number IE Delivery - Inbound

Send Extra Leading Character In DisplayIE\*\*\*

Setup non-ISDN Progress Indicator IE Enable\*\*\*\*

Local intranet



Cisco CallManager 4.0 Administration - Gateway Configuration - Microsoft Internet Explorer

File Edit View Favorites Tools Help

Address <http://cm-kingon/CCMAdmin/gatewayconfig.asp?pkid={2E043967-780A-4425-8FEF-343CBAD17186}&type=2> Go Links

MCDN Channel Number Extension Bit Set to Zero\*\*

Send Calling Name In Facility IE

Interface Identifier Present\*\*

Interface Identifier Value\*\*

Connected Line ID Presentation (QSIG Inbound Call)\*

Connected PBX Model

**Product Specific Configuration**

Clock Reference\*

Framing\*

Audio Signal Adjustment into IP Network\*

Audio Signal Adjustment from IP Network\*

Zero Suppression\*

Digit On Duration(50-500ms)\*

Interdigit Duration(50-500msec)\*

SNMP Community String

Disable SNMP Set operations\*

Debug Port Enable\*

Hold Tone Silence Duration\*

Port Used for Voice Calls\*

Port Used for Modem Calls\*

Port Used for Fax Calls\*

**Fax and Modem Parameters**

Fax Relay Enable\*

Fax Error Correction Mode Override\*

Maximum Fax Rate\*

Fax Payload Size\*

Non Standard Facilities Country Code\*

Local intranet



Cisco CallManager 4.0 Administration - Gateway Configuration - Microsoft Internet Explorer

File Edit View Favorites Tools Help

Back Forward Stop Home Search Favorites Media Print

Address <http://cm-klngon/CCMAdmin/gatewayconfig.asp?pkid={2E043967-780A-4425-8FEF-343CBAD17186}&type=2> Go Links >>

Non Standard Facilities Vendor Code\*

Fax/Modem Packet Redundancy\*

NSE Type\*

**Playout Delay Parameters**

Initial Playout Delay\*

Minimum Playout Delay\*

Maximum Playout Delay\*

**Echo Canceller Configuration**

Echo TailLength (ms)\*

Minimum ERL (db)\*

\* indicates required item  
\*\* applicable to DMS-100 protocol only  
\*\*\* applicable to DMS-100 protocol and DMS-250 protocol only  
\*\*\*\* may be required to force ringback from some PBXs

[Back to Find/List Gateways](#)

Local intranet



## Enbloc Route Pattern Configuration

Cisco CallManager 4.0 Administration - Route Pattern/Hunt Pilot Configuration - Microsoft Internet Explorer

File Edit View Favorites Tools Help

Back Forward Stop Home Search Favorites Media Print

Address http://cm-klings/CCMAdmin/routepatternconfig.asp?pkid={A29F6445-47AC-4744-A898-635AE467A195} Go Links >>

### Route Pattern/Hunt Pilot: 3XXX

Status: Ready  
Note: Any update to this Route Pattern or Hunt Pilot automatically resets the associated gateway or Route/Hunt List

Copy Update Delete

#### Pattern Definition

Route Pattern/Hunt Pilot*	3XXX	
Partition	< None >	
Description		
Numbering Plan*	North American Numbering Plan	
Route Filter	< None >	
MLPP Precedence	Default	
Gateway or Route/Hunt List*	S0/DS1-0@SDA0001C9D8633E (Edit)	
Route Option	<input checked="" type="radio"/> Route this pattern <input type="radio"/> Block this pattern — Not Selected —	
<input checked="" type="checkbox"/> Provide Outside Dial Tone	<input type="checkbox"/> Allow Overlap Sending	<input type="checkbox"/> Urgent Priority

#### Calling Party Transformations

Use Calling Party's External Phone Number Mask

Calling Party Transform Mask	
Prefix Digits (Outgoing Calls)	
Calling Line ID Presentation	Default
Calling Name Presentation	Default

#### Connected Party Transformations

Connected Line ID Presentation	Default
Connected Name Presentation	Default

#### Called Party Transformations

Discard Digits	< None >
Called Party Transform Mask	
Prefix Digits (Outgoing Calls)	

#### ISDN Network-Specific Facilities Information Element

Carrier Identification Code		
Network Service Protocol	— Not Selected —	
Network Service	Service Parameter Name	Service Parameter Value
— Not Selected —	< Not Exist >	

Done Local intranet



## Overlap Sending Route Pattern Configuration

Cisco CallManager 4.0 Administration - Route Pattern/Hunt Pilot Configuration - Microsoft Internet Explorer

Address: http://cm-klington/CCMAdmin/routepatternconfig.asp?pkid={E959BFF6-5645-4444-9E24-2768AFCAAD03}

### Route Pattern/Hunt Pilot: 9.X

Status: Ready  
Note: Any update to this Route Pattern or Hunt Pilot automatically resets the associated gateway or Route/Hunt List

[Copy](#) [Update](#) [Delete](#)

#### Pattern Definition

Route Pattern/Hunt Pilot\*

Partition

Description

Numbering Plan\*

Route Filter

MLPP Precedence

Gateway or Route/Hunt List\*  [\(Edit\)](#)

Route Option

Route this pattern

Block this pattern

Provide Outside Dial Tone     Allow Overlap Sending     Urgent Priority

#### Calling Party Transformations

Use Calling Party's External Phone Number Mask

Calling Party Transform Mask

Prefix Digits (Outgoing Calls)

Calling Line ID Presentation

Calling Name Presentation

#### Connected Party Transformations

Connected Line ID Presentation

Connected Name Presentation

#### Called Party Transformations

Discard Digits

Called Party Transform Mask

Prefix Digits (Outgoing Calls)

#### ISDN Network-Specific Facilities Information Element

Carrier Identification Code

Network Service Protocol

Network Service	Service Parameter Name	Service Parameter Value
<input type="text" value=" -- Not Selected --"/>	<input type="text" value=" &lt; Not Exist &gt;"/>	<input type="text"/>

Done Local intranet



## PSTN Route Pattern Configuration

Cisco CallManager 4.0 Administration - Route Pattern/Hunt Pilot Configuration - Microsoft Internet Explorer

Address: http://cm-klington/CCMAdmin/routepatternconfig.asp?pkid={A0E58AC2-80ED-4857-9D43-DCC43AA6EA56}

### Route Pattern/Hunt Pilot: 91650XXXXXXX

Status: Ready  
Note: Any update to this Route Pattern or Hunt Pilot automatically resets the associated gateway or Route/Hunt List

[Copy](#) [Update](#) [Delete](#)

#### Pattern Definition

Route Pattern/Hunt Pilot*	<input type="text" value="91650XXXXXXX"/>	
Partition	< None >	
Description	<input type="text"/>	
Numbering Plan*	North American Numbering Plan	
Route Filter	< None >	
MLPP Precedence	Default	
Gateway or Route/Hunt List*	S0/DS1-0@SDA0001C9D8633E <a href="#">(Edit)</a>	
Route Option	<input checked="" type="radio"/> Route this pattern <input type="radio"/> Block this pattern <input type="text" value="-- Not Selected --"/>	
<input checked="" type="checkbox"/> Provide Outside Dial Tone	<input type="checkbox"/> Allow Overlap Sending	<input type="checkbox"/> Urgent Priority

#### Calling Party Transformations

Use Calling Party's External Phone Number Mask

Calling Party Transform Mask	<input type="text"/>
Prefix Digits (Outgoing Calls)	408527
Calling Line ID Presentation	Default
Calling Name Presentation	Default

#### Connected Party Transformations

Connected Line ID Presentation	Default
Connected Name Presentation	Default

#### Called Party Transformations

Discard Digits	< None >
Called Party Transform Mask	<input type="text"/>
Prefix Digits (Outgoing Calls)	<input type="text"/>

#### ISDN Network-Specific Facilities Information Element

Carrier Identification Code	<input type="text"/>	
Network Service Protocol	-- Not Selected --	
Network Service	Service Parameter Name	Service Parameter Value
-- Not Selected --	< Not Exist >	<input type="text"/>

Done Local intranet



## 7960 IP phone Configuration

Cisco CallManager 4.0 Administration - Phone Configuration - Microsoft Internet Explorer

File Edit View Favorites Tools Help

Back Forward Stop Home Search Favorites Media Print

Address <http://cm-klington/CCMAdmin/phoneconfig.asp?pkid={23EE0A35-0B85-42D6-8B13-18D674D3F2CE}> Go Links >>

# Phone Configuration

[Add a new phone](#)  
[Add/Update Speed Dials](#)  
[Subscribe/Unsubscribe Services](#)  
[Dependency Records](#)  
[Back to Find/List Phones](#)

**Directory Numbers**

**Base Phone**

- Line 1 - 4000 in Phones
- Line 2 - Add new DN

**Phone: SEP000B5FD22FE8 (Auto 4000)**  
**Registration: Registered with Cisco CallManager 172.20.32.254**  
**IP Address: 172.20.32.102**  
Status: Ready

**Phone Configuration (Model = Cisco 7960)**

**Device Information**

MAC Address*	<input type="text" value="000B5FD22FE8"/>
Description	<input type="text" value="Auto 4000"/>
Owner User ID	<input type="text"/> (Select User ID)
Device Pool*	Default (View details)
Calling Search Space	< None >
AAR Calling Search Space	< None >
Media Resource Group List	< None >
User Hold Audio Source	< None >
Network Hold Audio Source	< None >
Location	< None >
User Locale	< None >
Network Locale	< None >
Device Security Mode	Use System Default
Built In Bridge	Default
Privacy	Default

**Phone Button Template Information**

Phone Button Template*	Standard 7960 (View button list)
------------------------	----------------------------------

**Softkey Template Information**

Softkey Template	< None >
------------------	----------

**Expansion Module Information**

Module 1	< None >
Module 2	< None >

Local intranet



Cisco CallManager 4.0 Administration - Phone Configuration - Microsoft Internet Explorer

File Edit View Favorites Tools Help

Back Forward Stop Home Search Favorites Media Print

Address http://cm-klington/CCMAdmin/phoneconfig.asp?pkid={23EE0A35-0B85-42D6-8B13-18D674D3F2CE} Go Links >>

### Firmware Load Information (leave blank to use default)

Phone Load Name

Module 1 Load Name  (Module 1 selection required)

Module 2 Load Name  (Module 2 selection required)

### Cisco IP Phone - External Data Locations (leave blank to use default)

Information

Directory

Messages

Services

Authentication Server

Proxy Server

Idle

Idle Timer (seconds)

### Extension Mobility (Device Profile) Information

Enable Extension Mobility Feature

Log Out Profile

Log In User ID

Log In Time

Log Out Time

### Multilevel Precedence and Preemption (MLPP) Information

MLPP Domain  (e.g., "0000FF")

MLPP Indication

MLPP Preemption

### Product Specific Configuration

Disable Speakerphone

Disable Speakerphone and Headset

Forwarding Delay\*

PC Port\*

Settings Access\*

Gratuitous ARP\*

PC Voice VLAN Access\*

Local intranet





Cisco CallManager 4.0 Administration - Directory Number Configuration - Microsoft Internet Explorer

File Edit View Favorites Tools Help

Back Forward Stop Home Search Favorites Media Print

Address http://cm-kingon/CCMAdmin/directorynumber.asp?NumPlanMapID={FDF4C8AE-583C-4480-9C58-36FC82BAA685} Go Links >>

## Directory Number Configuration

[Configure Device \(SEP000B5FD22FE8\)](#)  
[Dependency Records](#)

**Associated With**  
SEP000B5FD22FE8  
7960 (Line 1)

**Directory Number: 4000 (Phones)**  
Status: Ready  
Note: Any update to this Directory Number automatically resets the associated devices

Update Remove from Device Reset Devices

**Directory Number**

Directory Number\* 4000  
Partition Phones

**Directory Number Settings**

Voice Mail Profile <None> (Choose <None> to use default)  
Calling Search Space Phones  
AAR Group <None>  
User Hold Audio Source <None>  
Network Hold Audio Source <None>  
Auto Answer Auto Answer Off

**Call Forward and Pickup Settings**

	Voice Mail Destination	Calling Search Space
Forward All	<input type="checkbox"/>	<None>
Forward Busy	<input type="checkbox"/>	<None>
Forward No Answer	<input type="checkbox"/>	<None>
No Answer Ring Duration		(seconds)
Call Pickup Group	<None>	

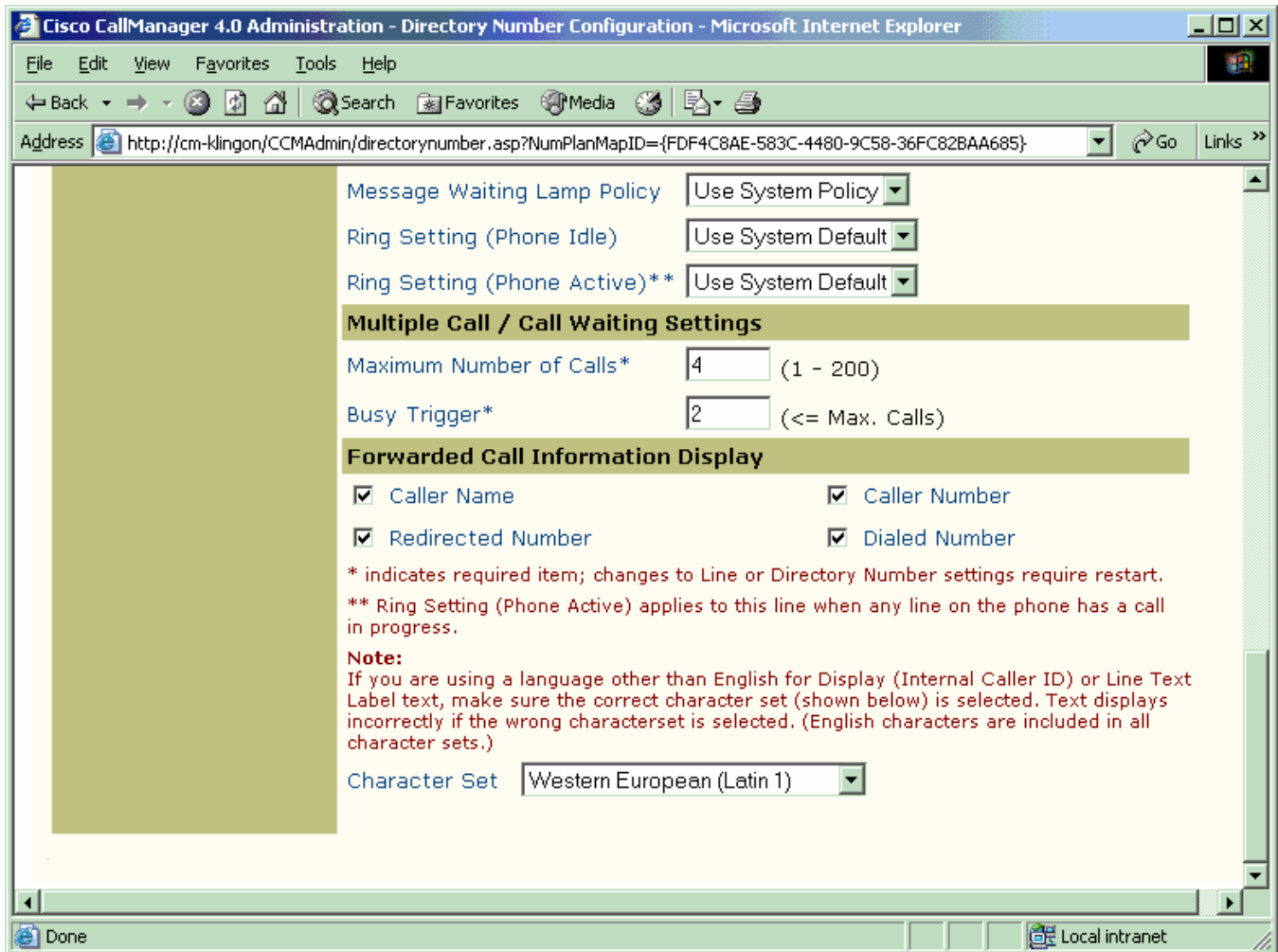
**MLPP Alternate Party Settings**

Target (Destination)  
Calling Search Space <None>  
No Answer Ring Duration (seconds)

**Line Settings for this Device**

Display (Internal Caller ID) JOHN DOE  
Line Text Label  
External Phone Number Mask

Done Local intranet



## Important Information

THE SPECIFICATIONS AND INFORMATION REGARDING THE PRODUCTS IN THIS MANUAL ARE SUBJECT TO CHANGE WITHOUT NOTICE. ALL STATEMENTS, INFORMATION, AND RECOMMENDATIONS IN THIS MANUAL ARE BELIEVED TO BE ACCURATE BUT ARE PRESENTED WITHOUT WARRANTY OF ANY KIND, EXPRESS OR IMPLIED. USERS MUST TAKE FULL RESPONSIBILITY FOR THEIR APPLICATION OF ANY PRODUCTS.

IN NO EVENT SHALL CISCO OR ITS SUPPLIERS BE LIABLE FOR ANY INDIRECT, SPECIAL, CONSEQUENTIAL, OR INCIDENTAL DAMAGES, INCLUDING, WITHOUT LIMITATION, LOST PROFITS OR LOSS OR DAMAGE TO DATA ARISING OUT OF THE USE OR INABILITY TO USE THIS MANUAL, EVEN IF CISCO OR ITS SUPPLIERS HAVE BEEN ADVISED OF THE POSSIBILITY OF SUCH DAMAGES.



#### **Corporate Headquarters**

Cisco Systems, Inc.  
170 West Tasman Drive  
San Jose, CA 95134-1706  
USA  
www.cisco.com  
Tel: 408 526-4000  
800 553-NETS (6387)  
Fax: 408 526-4100

#### **European Headquarters**

Cisco Systems International  
BV  
Haarlerbergpark  
Haarlerbergweg 13-19  
1101 CH Amsterdam  
The Netherlands  
www-europe.cisco.com  
Tel: 31 0 20 357 1000  
Fax: 31 0 20 357 1100

#### **Americas Headquarters**

Cisco Systems, Inc.  
170 West Tasman Drive  
San Jose, CA 95134-1706  
USA  
www.cisco.com  
Tel: 408 526-7660  
Fax: 408 527-0883

#### **Asia Pacific Headquarters**

Cisco Systems, Inc.  
Capital Tower  
168 Robinson Road  
#22-01 to #29-01  
Singapore 068912  
www.cisco.com  
Tel: +65 317 7777  
Fax: +65 317 7799

Cisco Systems has more than 200 offices in the following countries and regions. Addresses, phone numbers, and fax numbers are listed on **the Cisco Web site at [www.cisco.com/go/offices](http://www.cisco.com/go/offices).**

Argentina • Australia • Austria • Belgium • Brazil • Bulgaria • Canada • Chile • China PRC • Colombia • Costa Rica • Croatia • Czech Republic • Denmark • Dubai, UAE • Finland • France • Germany • Greece • Hong Kong SAR • Hungary • India • Indonesia • Ireland • Israel • Italy • Japan • Korea • Luxembourg • Malaysia • Mexico • The Netherlands • New Zealand • Norway • Peru • Philippines • Poland • Portugal • Puerto Rico • Romania • Russia • Saudi Arabia • Scotland • Singapore • Slovakia • Slovenia • South Africa • Spain • Sweden • Switzerland • Taiwan • Thailand • Turkey • Ukraine • United Kingdom • United States • Venezuela • Vietnam • Zimbabwe

Copyright 2004 Cisco Systems, Inc. All rights reserved. Cisco, Cisco Systems, and the Cisco Systems logo are registered trademarks or trademarks of Cisco Systems, Inc. and/or its affiliates in the U.S. and certain other countries. All other trademarks mentioned in this document or Web site are the property of their respective owners. The use of the word partner does not imply a partnership relationship between Cisco and any other company. (0301R)