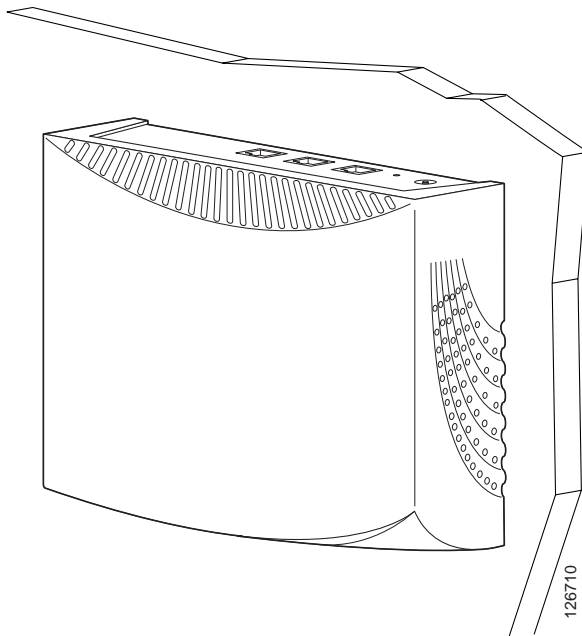




## Wall-Mounting a VPN 3002 Hardware Client

This document provides instructions for wall-mounting a VPN 3002, as in Figure 1.

*Figure 1 VPN 3002 Mounted Correctly on a Wall*



## Checking Wall-Mounting Kit Contents

The VPN 3002 wall-mounting kit includes the following:

- Two 1.0 inch (2.54 centimeters) wood screws (for mounting on wood surfaces).
- Two 1.5 inch (3.81 centimeters) screws and two plastic anchors (for mounting on drywall, plaster, or sheet rock surfaces).

## Gathering Tools

You need the following tools to wall-mount the VPN 3002:

- Pencil
- Metal tape measure or ruler
- Level with vertical reading
- Hand drill or electrically-powered drill with 1/8 inch and 1/4 inch twist drill bits
- Phillips-head screw driver
- Hammer

## Mounting the VPN 3002 on a Solid Wood Surface

To mount the VPN 3002 on a solid wood surface, perform the following steps:

---

**Step 1** Select the 1.0 inch wood screws.

**Step 2** Use a pencil to mark the location for the top screw.

**Step 3** Mark the location for the second screw 3 1/4 inches (8.255 centimeters) below the location for the top screw. Use a tape measure or ruler to measure the distance.



---

**Tip** Place a level next to the tape measure or ruler to ensure that the screw locations are exactly 3 1/4 inches apart and are exactly vertical.

---

**Step 4** Drill a hole 1/8 inch in diameter and about 1/4 inch deep in each of the screw locations.

**Step 5** Use a screwdriver to install one 1.0 inch screw in each hole. Leave the screw heads 1/4 to 3/8 inch away from the wall.

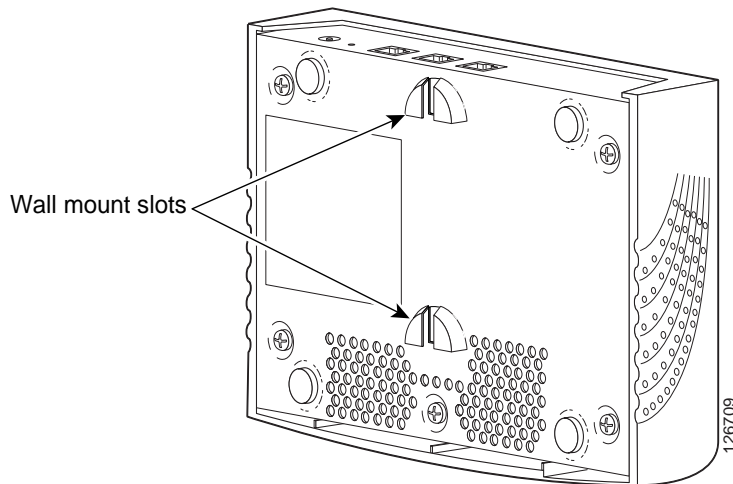
**Step 6** Position the VPN 3002 with the ports at the top, and the curved end of the unit facing the floor. This is the only position in which the unit can hang securely from the wall.

**Step 7** Place the unit above the screws and lower it so the screw heads are inside and at the tops of the wall mount slots on the back of the unit. See Figure 2, which shows these slots.

**Step 8** Adjust to fit. If the unit is too loose, remove it from the wall, slightly tighten screws, and rehang.

---

**Figure 2** Wall-mount Slots on Rear of VPN 3002



## Mounting the VPN 3002 on a Drywall, Plaster, or Sheet Rock Surface

To mount the VPN 3002 on a drywall, plaster, or sheet rock surface, perform the following steps:

---

**Step 1** Select the 1.5 inch screws and plastic anchors.

**Step 2** Use a pencil to mark the location for the top screw.

**Step 3** Mark the location for the second screw 3 1/4 inches (8.255 centimeters) below the location for the top screw. Use a tape measure or ruler to measure the distance.



**Tip** Place a level next to the tape measure or ruler to ensure that the screw locations are exactly 3 1/4 inches apart and are exactly vertical.

---

- Step 4** Drill a hole 1/4 inch in diameter entirely through the wall material in each of the screw locations.
- Step 5** Install a plastic anchor in each hole.
- Insert the pointed end of the anchor in the hole and then tap the flat end of the anchor with a hammer.
  - Continue to tap until the flat end is flush with the wall.
- Step 6** Use a screw driver to install a 1.5 inch screw in each hole. Leave the screw heads 1/4 to 3/8 inch away from the wall.
- Step 7** Position the VPN 3002 with the ports at the top, and the curved end of the unit facing the floor. This is the only position in which the unit can hang securely from the wall.
- Step 8** Place the unit above the screws and lower it so the screw heads are inside and at the tops of the wall mount slots on the back of the unit. See Figure 2, which shows these slots.
- Step 9** Adjust to fit. If the unit is too loose, remove it from the wall, slightly tighten screws, and rehang.



Corporate Headquarters  
Cisco Systems, Inc.  
170 West Tasman Drive  
San Jose, CA 95134-1706  
USA  
www.cisco.com  
Tel: 408 526-4000  
800 553-NETS (6387)  
Fax: 408 526-4100

European Headquarters  
Cisco Systems International BV  
Haarlerbergpark  
Haarlerbergweg 13-19  
1101 CH Amsterdam  
The Netherlands  
www-europe.cisco.com  
Tel: 31 0 20 357 1000  
Fax: 31 0 20 357 1100

Americas Headquarters  
Cisco Systems, Inc.  
170 West Tasman Drive  
San Jose, CA 95134-1706  
USA  
www.cisco.com  
Tel: 408 526-7660  
Fax: 408 527-0883

Asia Pacific Headquarters  
Cisco Systems, Inc.  
168 Robinson Road  
#28-01 Capital Tower  
Singapore 068912  
www.cisco.com  
Tel: +65 6317 7777  
Fax: +65 6317 7799

Cisco Systems has more than 200 offices in the following countries. Addresses, phone numbers, and fax numbers are listed on the **Cisco Website at [www.cisco.com/go/offices](http://www.cisco.com/go/offices)**

Argentina • Australia • Austria • Belgium • Brazil • Bulgaria • Canada • Chile • China PRC • Colombia • Costa Rica • Croatia • Cyprus • Czech Republic • Denmark • Dubai, UAE  
Finland • France • Germany • Greece • Hong Kong SAR • Hungary • India • Indonesia • Ireland • Israel • Italy • Japan • Korea • Luxembourg • Malaysia • Mexico  
The Netherlands • New Zealand • Norway • Peru • Philippines • Poland • Portugal • Puerto Rico • Romania • Russia • Saudi Arabia • Scotland • Singapore  
Slovakia • Slovenia • South Africa • Spain • Sweden • Switzerland • Taiwan • Thailand • Turkey • Ukraine • United Kingdom • United States • Venezuela • Vietnam • Zimbabwe

Copyright © 2005 Cisco Systems, Inc. All rights reserved. CCSP, the Cisco Square Bridge logo, Follow Me Browsing, and StackWise are trademarks of Cisco Systems, Inc.; Changing the Way We Work, Live, Play, and Learn, and iQuick Study are service marks of Cisco Systems, Inc.; and Access Registrar, Aironet, ASIST, BPX, Catalyst, CCDA, CCDP, CCIE, CCIP, CCNA, CCNP, Cisco, the Cisco Certified Internetwork Expert logo, Cisco IOS, Cisco Press, Cisco Systems, Cisco Systems Capital, the Cisco Systems logo, Cisco Unity, Empowering the Internet Generation, Enterprise/Solver, EtherChannel, EtherFast, EtherSwitch, Fast Step, FormShare, GigaDrive, GigaStack, HomeLink, Internet Quotient, IOS, IP/TV, IQ Expertise, the IQ logo, iQ Net Readiness Scorecard, LightStream, Linksys, MeetingPlace, MGX, the Networkers logo, Networking Academy, Network Registrar, Packet, PIX, Post-Routing, Pre-Routing, ProConnect, RateMUX, ScriptShare, SlideCast, SMARTnet, StrataView Plus, SwitchProbe, TeleRouter, The Fastest Way to Increase Your Internet Quotient, TransPath, and VCO are registered trademarks of Cisco Systems, Inc. and/or its affiliates in the United States and certain other countries.